

# 2004 JEEP WRANGLER (TJ)

## PARTS CATALOG

ILLUSTRATION AND TEXT  
(CHASSIS - BODY - TRIM)

February 2004

**SUPERSEDES**  
January 2004  
ENGLISH



Jeep

CHRYSLER • PLYMOUTH • DODGE • JEEP

**THE MOPAR DIFFERENCE**

## INDEX TO INFORMATION PAGES

The use of this Parts Catalog and the arrangement of information herein is explained in the General Information Section as indexed below.

Abbreviations .....	INF-13
Alphabetic Index .....	INF-10
Body Code Plate Interpretation .....	INF-12
Catalog Groups - Titles & Contents .....	INF-2
How to Use This Catalog and Locate Parts .....	INF-8
Illustration Index .....	INF-10
Illustration Numbering Index .....	INF-9
Index.....	INF-1
Logical Illustration Index.....	INF-3
Logical Illustrations .....	INF-9
Numerical Index .....	INF-10
Page Numbering.....	INF-9
Part Packages .....	INF-10
Standard Parts.....	INF-10
Symbols Used in this Catalog.....	INF-9
VIN Plate Decoding Information .....	INF-11

## CATALOG GROUPS - TITLES & CONTENT

Group	Content
001	Component Parts for Mopar Accessories
002	Front Suspension & Drive
003	Rear Axle
004	Parking Brake
005	Service Brakes
006	Clutch
007	Cooling
008	Electrical
009	Engine Mounting
011	Exhaust
013	Frames and Bumpers
014	Fuel
016	Propeller Shafts and U-Joints
017	Rear Suspension
019	Steering
022	Wheels, Covers and Jacks
024	Air Conditioning & Heater
025	Emission Systems
08A	Instrument Panel and Radios and Consoles
2.4L	Engine 2.4L Four Cylinder
21P	Speedometer Pinions
231	Transfer Case Model 231
23D	Wiper/Lock Cylinder and Keys
241	Transfer Case Model 241
3550	Manual Transmission 5 Speed
4.0L	Engine 4.0L Six Cylinder
42RLE	Automatic Transaxle 4 Speed
DTJ	Doors and Related Parts
ETJ	Exterior Ornamentation
ITJ	Interior Trim
LBLS	Labels All Vehicle Locations
NV2550	Manual Transmission 5 Speed
STJ	Body Sheet Metal Except Doors

## LOGICAL ILLUSTRATION INDEX

Group	Logical Illustration	Logical Illustration Name
001	100	Audio & Electronics
001	200	Carriers & Cargo Hauling
001	300	Driving Convenience
001	400	Exterior Appearance
001	500	Exterior Protection
001	600	Fog Lights & Electrical
001	800	Interior Storage
001	900	Security
002	100	Front Suspension
002	200	Front Axle Drive Shafts
002	300	Front Axle Housing
002	400	Front Axle Assembly
002	600	Front Axle Differential
003	100	Rear Axle
003	200	Differential and Housing
003	400	Rear Axle Shafts
004	100	Parking Brake Lever and Cables
005	100	Front Brakes
005	200	Rear Brakes
005	300	Power Brake Booster
005	400	Brake Master Cylinder
005	500	Brake Lines and Hoses
005	600	Brake Pedals
006	100	Clutch
006	200	Clutch Housing
006	300	Clutch Controls
006	400	Clutch Pedals
007	100	Radiator and Related Parts
007	200	Water Pump and Related Parts
007	300	Tank, Coolant Engine
007	400	Pulleys and Related Parts
007	500	Drive Belts
007	600	Lines, Transmission Oil Cooler

007	700	Grilles
008	100	Starters
008	1000	Battery Tray and Cables
008	1100	Lamps - Front, Rear and Courtesy
008	1200	Wiring-Engine & Related Parts
008	1300	Wiring-Headlamp to Dash
008	1400	Wiring-Instrument Panel
008	1500	Wiring-Body & Accessories
008	1600	Wiring Repair
008	1700	Air Bag Systems
008	1900	Spark Plugs-Cables-Coils
008	200	Alternators
008	400	Modules
008	500	Relays
008	600	Sensors
008	700	Single Board Engine Controllers
008	800	Switches
008	900	Horns
009	100	Engine Mounting
011	100	Exhaust System
011	200	Heat Shields
013	100	Frames
013	200	Front Bumper and Fascia
013	300	Rear Bumper and Fascia
013	500	Body Hold Down
014	100	Tank, Fuel
014	1000	Speed Control
014	1100	Accelerator Pedal
014	200	Fuel Tank Filler Tube
014	300	Fuel Lines
014	400	Fuel Rail
014	500	Fuel Pump and Sending Unit
014	600	Throttle Body
014	700	Throttle Controls
014	800	Air Cleaner
016	100	Propeller Shaft

017	100	Rear Suspension
017	200	Rear Stabilizer
019	100	Steering Wheel
019	200	Steering Column
019	300	Steering Gear
019	400	Steering Linkage
019	500	Power Steering Pump
019	700	Power Steering Hoses
022	100	Wheels and Hardware
022	200	Wheel Covers and Center Caps
022	300	Jack Stowage
022	400	Spare Tire Stowage
024	100	Air Conditioner and Heater Units
024	200	Air Conditioner and Heater Plumbing
024	300	Air Conditioner and Heater Controls
024	400	Air Conditioning Compressor
024	600	Air Ducts and Outlets
025	300	Vacuum Canister
025	400	Emission Harness
08A	100	Instrument Panel
08A	200	Instrument Panel Cluster
08A	300	Radio, Antenna, and Speakers
08A	400	Consoles
2.4L	200	Cylinder Head
2.4L	300	Cylinder Block
2.4L	400	Crankshaft, Piston, and Drive Plate
2.4L	500	Camshafts and Valves
2.4L	600	Timing Belt and Cover
2.4L	700	Engine Oiling
2.4L	800	Manifolds
2.4L	900	Crankcase Ventilation
21P	100	Speedometer Pinions
231	100	Transfer Case Assembly
231	1200	Gearshift Controls
231	200	Case and Related Parts
231	400	Gear Train

231	900	Fork and Rails
23D	100	Lock Cylinders and Keys
23D	200	Windshield Wiper and Washer Systems
23D	300	Rear Wiper and Washer System
241	100	Transfer Case Assembly
241	1200	Gearshift Controls
241	200	Case and Related Parts
241	400	Gear Train
241	900	Fork and Rails
3550	100	Transmission Assembly
3550	1200	Gearshift Controls
3550	200	Case and Extension
3550	400	Gear Train
3550	900	Fork and Rails
4.0L	200	Cylinder Head
4.0L	300	Cylinder Block
4.0L	400	Crankshaft, Piston and Torque Converter
4.0L	500	Camshafts & Valves
4.0L	600	Timing Belt and Cover
4.0L	700	Engine Oiling
4.0L	800	Manifolds
4.0L	900	Crankcase Ventilation
42RLE	100	Transaxle Assembly
42RLE	1200	Gearshift Controls
42RLE	200	Case and Extension
42RLE	300	Oil Pump
42RLE	400	Gear Train
42RLE	700	Valve Body
DTJ	100	Front Door
DTJ	500	Exterior Mirror
DTJ	600	Weatherstrips and Seals
ETJ	200	Moldings and Ornamentation
ETJ	300	Decals and Tapestripes
ITJ	100	Headliner and Visor
ITJ	200	Moldings, Scuff Plates
ITJ	300	Carpet

ITJ	400	Door Trim Panels- Front and Sliding
ITJ	500	Front Seats and Attaching Parts
ITJ	600	Rear Seats and Attaching Parts
ITJ	700	Seat Belts-Front and Rear
ITJ	800	Adjusters, Covers, Shields, and Risers
LBS	100	Interior
LBS	200	Under Hood
LBS	300	Doors
LBS	400	Exterior
NV2550	100	Transmission Assembly
NV2550	1200	Gearshift Controls
NV2550	200	Case and Extension
NV2550	400	Gear Train
NV2550	900	Fork and Rails
STJ	1100	Roof - Hard & Soft Top
STJ	1300	Tailgate
STJ	1600	Luggage Rack
STJ	200	Floor Pans
STJ	300	Plugs
STJ	400	Front Fenders
STJ	500	Hood and Hood Release
STJ	600	Cowl and Dash Panel
STJ	700	Glass and Rear View Mirror
STJ	800	Aperture Panel

## HOW TO USE THIS CATALOG AND LOCATE PARTS

**This Catalog is divided into Part Groups in which illustrations for parts of a similar function and/or location are published. The Group contents listing on the next page shows the type of parts contained in each group. Tabs are provided or available to separate each group.**

Several methods may be used to locate a specific part:

**Option 1:** From the Group Contents listing. Select the group which would most logically contain the part to be found. Open the catalog to the beginning of that group. The first page of the group will contain the part. Turn to the selected illustration and locate the part by reviewing the illustration item numbers and associated text information following the illustration.

**Option 2:** If the "noun" name of the part you seek is known, an alphabetical index of Nouns and illustration titles is provided to assist in finding the part. Several keys may be found in this index.

RESERVOIR, Power Steering Oil Pump Group 19	Group Reference
ALTERNATOR All Engines 8-210	Illustration Reference
BELT, Front Seat Imdl/710/3	Illustration/Item Reference

Group by Model _____	}
Illustration Number _____	
Item _____	

**Option 3:** If the part number is known but the applications need to be determined, refer to the numerical index. This index shows the group, illustration number and each part listed in the catalog. Multiple references mean the part is listed more than once.

**Option 4:** Other options such as group identifiers exist in these catalogs. For Example, Group 23 Body has been broken in sections, i.e. 23A Sheet Metal now is S(model code). Example: SGS for model GS. Group 23C Doors now is D(model code) ex. DGS. Group 23 Exterior Ornamentation now is E(model code). This same logic applies to the Interior Trim Section (ex. IGS).

The Group 9 Engine sections in prior parts catalogs had been numbered 9A, 9B, 9C, etc. There was no real meaning to this numbering scheme. In this new MACS produced catalog the group numbering scheme is as follows: 2.5LD means 2.5 Liter Diesel Engine; 2.0L means 2.0 Liter Four Cylinder Gas Engine; 3.3L6T means 3.3 Liter Six Cylinder Transverse Mounted Engine; and 3.8L means 3.8 Liter Six Cylinder Engine. Also note that Engine Mounting parts are located in Group 9.

## PAGE NUMBERING

Two-part page numbers are used throughout this catalog. The first part of the page designation indicates one major group or section. The second part indicates the actual page number in the group. For example:

2-1 indicates Group 2, Front Suspension, Page 1  
3-4 indicates Group 3, Axle Rear, Page 4

In the maintenance of the Loose Leaf Parts Catalog Revision Service, it may become necessary to add information beyond the capacity of the page. In this event, an "A" page will be used. For example, if it becomes necessary, because of change, to add several part numbers to page 2-1 and space does not permit the addition, you will be given Page 2-1A. Page 2-1A should be filed immediately following Page 2-1.

Figure and Item Numbers are also commonly used to identify locations in the Catalog, ie., 14-910/8 refers to Group 14, illustration 910, Item Number 8. Illustration Numbers are always ascending sequential within the Groups.

## SYMBOLS USED IN THIS CATALOG

The Following symbols are commonly used with Part Number and Quantity information in this Catalog:

AR - Indicates the quantity required may vary or is to be determined by the user.

PAR - Indicates "Paint As Required"

BLANK - Indicates "All Condition"

- = "Not Illustrated"

## LOGICAL ILLUSTRATIONS

Refer to Illustration in front of each group. This will give assistance to as how each group is broken down and what Specific Illustration should be referenced.

## ILLUSTRATION NUMBERING INDEX

Illustration numbers in this Catalog are Group standards. This indicates group and consistent content. EXAMPLE: 8-100 is a Logical Illustration for Starters. 8-101 to 8-199 are Specific Illustrations used for Starters for all Catalogs. 8-200 will contain Alternators for all Catalogs and so on. Always refer to group index in front of each group.

## ILLUSTRATION INDEX

This index is a compilation of catalog parts description data with reference to illustrations, figures and key numbers as shown:

Fender ie; Model.....Group: S(Model) .....Illustration 410  
(Fender is located in Sheet Metal Section (S) in Illustration 410)

The first page of each group contains a listing of all illustrations and group breakdown within that group. Also refer to illustrations alphabetically listed in information section.

## ALPHABETIC INDEX

This index is a compilation of catalog parts description data with a reference to the location of the item by Group, Figure, and Key Number as shown in the following example:

Housing, w/Pump.....Group 7 Illustration 210 Item 10  
(Housing, w/Pump.....7-210/10)

The index will be expanded progressively as data is added to computer files. To locate a part by name refer to the Alphabetical Index. This index indicates the group and illustration and item number where the part is located. Alphabetical Index can be found in INF section of this Catalog.

## NUMERICAL INDEX

A listing of Part Numbers contained in the catalog. The numbers are in numerical sequence with reference to the group and Illustration and item number where the part is located.

## PARTS PACKAGES

Service Parts Packages, containing all parts needed for specific service operation, are listed in their respective groups with related parts. The listing will show adaptability and model application.

## STANDARD PARTS

Important attaching standard parts such as bolts, nuts, etc, are generally listed in the text of the respective major parts groups.

## VIN PLATE DECODING INFORMATION

<b>1</b>	<b>2</b>	<b>3</b>	<b>4</b>	<b>5</b>	<b>6</b>	<b>7</b>	<b>8</b>	<b>9</b>	<b>10</b>	<b>11</b>	<b>12 thru 17</b>
Country	Make	Vehicle Type	Other	Line	Series	Body Style	Engine	Check Digit	Model Year	Assy. Plant	Sequence No.

The following table interprets the VIN Plate positions shown above.

Position	Interpretation	Codes = Description
1	Country of Origin	1 = U.S.
2	Make	J = Jeep
3	Vehicle type	4 = Multipurpose Passenger Vehicle
4	GVWR & Pass. Safety	D=0-1360 kg (0-3000 lbs) E=1361-1814 kg (3001-4000 lbs) F=1815-2267 kg (4001-5000 lbs)
5	Vehicle Line	A = Wrangler 4x4 Left Hand Drive 4 = Wrangler 4x4 Right Hand Drive
6	Series	2 = Wrangler SE 3 = Wrangler X 4 = Wrangler Sport 5 = Wrangler Sahara 6 = Wrangler Rubicon
7	Body Style	9 = Open Body (77)
8	Engine	1 = 2.4L V4 DOHC (ED1) S = 4.0L V6 (ERH)
9	Check Digit	
10	Model Year	4 = 2004
11	Assembly Plant	P = Toledo #2
12 thru 17	Vehicle Build Sequence	Model Year Assembly Sequence

## BODY CODE PLATE INTERPRETATION

The Body Code Plate is located on the Left Front Side Shield or Wheel Housing or the Upper Radiator Support. The Plate contains 7 rows of data. The bottom 3 rows are reserved for the specific information as depicted below. Starting at the fourth row (following the reserved portion), other Sales Codes used to build a specific vehicle are listed in the ascending order by ALPHA sequence.

1	2	3	4	5	6	7	8	9	10	11	12	13	14	15	16	17	18	19	20	21
22	23	24	25	26	27	28	29	30	31	32	33	34	35	36	37	38	39			
40	41	42	43	44	45	46	47	48	49	50	51	52	53	54	55	56	57	58	59	60

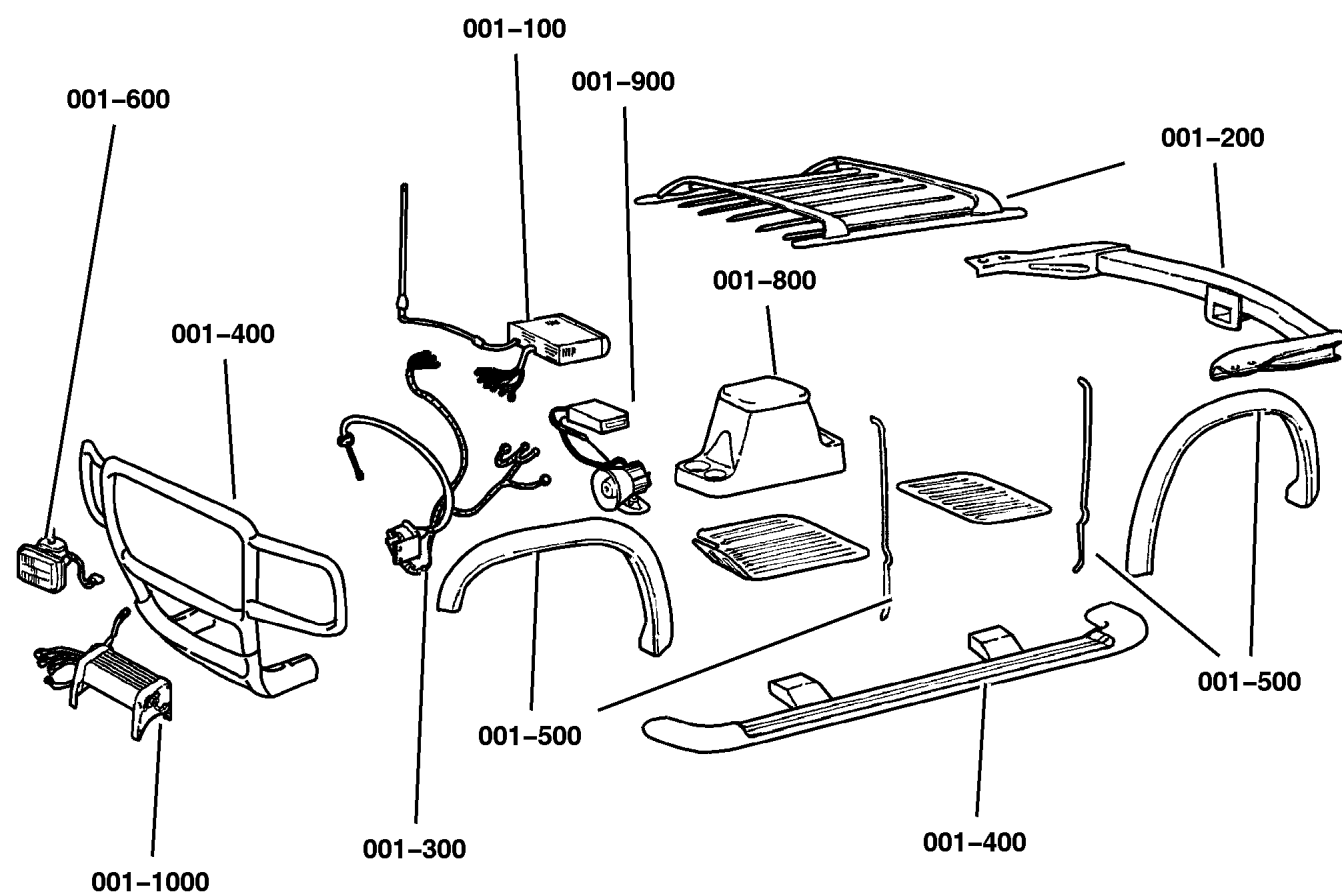
1-12	VEHICLE ORDER NUMBER
13-15	VINYL ROOF CODE/DOOR COMBO CODES
16-18	VEHICLE SHELL CAR LINE
19	PRICE CLASS
20-21	BODY TYPE
22-24	PAINT PROCEDURE
25-28	PRIMARY PAINT
29-32	SECONDARY PAINT
33-36	INTERIOR TRIM CODE
37-39	ENGINE CODES
40-42	TRANSMISSION CODES
43	MARKET CODES
44-46	VEHICLE IDENTIFICATION NUMBER (VIN) For definition of the Elements and the individual position see Vin Plate Defined.

## ABBREVIATIONS

A/C	Air Conditioner
ABS	Anti-Lock Brakes System
AR	As Required
ATC	Automatic Temperature Control
AWD	All Wheel Drive
BUX	Built Up Export
CV	Constant Velocity
DOHC	Dual (or Double) OverHead Cam
EFI	Electronic Fuel Injection
EGR	Exhaust Gas Recirculation
ECU	Electronic Control Unit
FWD	Front Wheel Drive
HEX	HEXagon
HCU	Hydraulic Control Unit
I/D	Inside Diameter
L	Liter
LED	Light Emitting Diode
MAP	Manifold Absolute Pressure
MPH	Miles Per Hour
O/D	Outside Diameter
P/S	Power Steering
PSI	Pounds per Square Inch
PSF	Pounds per Square Foot
PRNODL	Park, Reverse, Neutral, Overdrive, Drive, Low
PRNDL	Park, Reverse, Neutral, Drive, Low
PTO	Power Take Off
RFI	Radio Frequency Interference
RPM	Revolutions Per Minute
RTV	Room Temperature Vulcanizer (sealant)
T/BODY	Throttle BODY
U/BODY	Under BODY
SOHC	Single OverHead Cam
PAR	Paint As Required

# Group - 001

## Component Parts for Mopar Accessories



### GROUP 1 - Component Parts for Mopar Accessories

Illustration Title

Group-Fig. No.

#### Audio & Electronics

Player Kit - CD - Changer - 6 Disc ..... Fig. 001-110

#### Carriers & Cargo Hauling

Bike Carrier - Hitch Mount 2 Bikes ..... Fig. 001-220  
 Bike Carrier - Spare Tire Mount ..... Fig. 001-222  
 Ski Carrier - Spare Tire Mount ..... Fig. 001-232  
 Trailer Tow - Receiver Kit ..... Fig. 001-250

#### Driving Convenience

Top Kit - Soft Hardtop Replacement ..... Fig. 001-320

#### Exterior Appearance

Bumper Kit- Front Tubular ..... Fig. 001-410  
 Bumper Kit - Rear Tubular ..... Fig. 001-420  
 Extension Kit - Front Bumper ..... Fig. 001-430  
 Side Step Kit ..... Fig. 001-440

#### Exterior Protection

Shield Kit - Air Front ..... Fig. 001-510  
 Hardtop Wiring Kit ..... Fig. 001-550

#### Fog Lights & Electrical

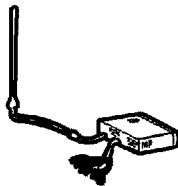

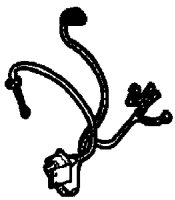
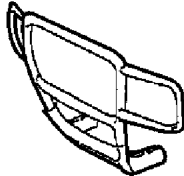
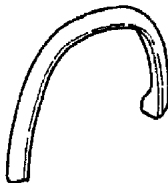



Light Kit - Fog ..... Fig. 001-610  
 Bar Kit - Light Windshield ..... Fig. 001-630  
 Heater Kit - Engine Block, 4.0L Engine ..... Fig. 001-650

#### Interior Storage

Console Kit - Floor ..... Fig. 001-820

#### Security

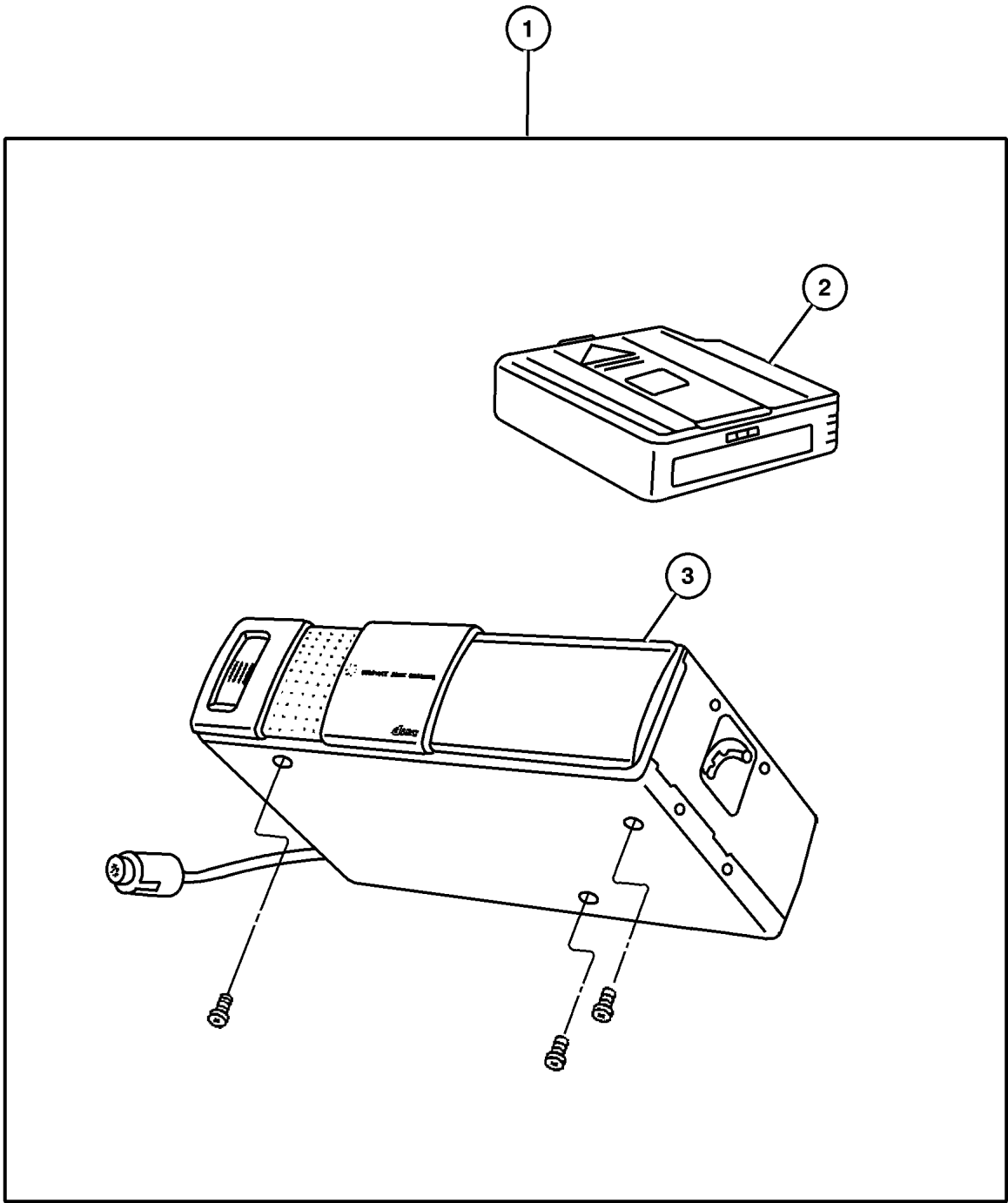
Alarm - EVS Base System ..... Fig. 001-910

<p><b>001-100</b> Audio &amp; Electronics</p> 	<p><b>001-200</b> Carriers &amp; Cargo Hauling</p> 	<p><b>001-300</b> Driving Convenience</p> 	<p><b>001-400</b> Exterior Appearance</p> 
<p><b>001-500</b> Exterior Protection</p> 	<p><b>001-600</b> Fog Lights &amp; Electrical</p> 	<p><b>001-800</b> Interior Storage</p> 	<p><b>001-900</b> Security</p> 



**Player Kit - CD - Changer - 6 Disc  
Figure 001-110**

ITEM	PART NUMBER	QTY	LINE	SERIES	BODY	ENGINE	TRANS	TRIM	DESCRIPTION
Note; For Warranty Repair On Item 3, Order Through [GPOP] Function 11, Using Z Prefix									
1	8220 7483	1							PLAYER KIT, CD Changer - 6 Disc
2	4797 433	1							MAGAZINE, CD Changer
3									CHANGER, CD, (NOT SERVICED) (Not Serviced)



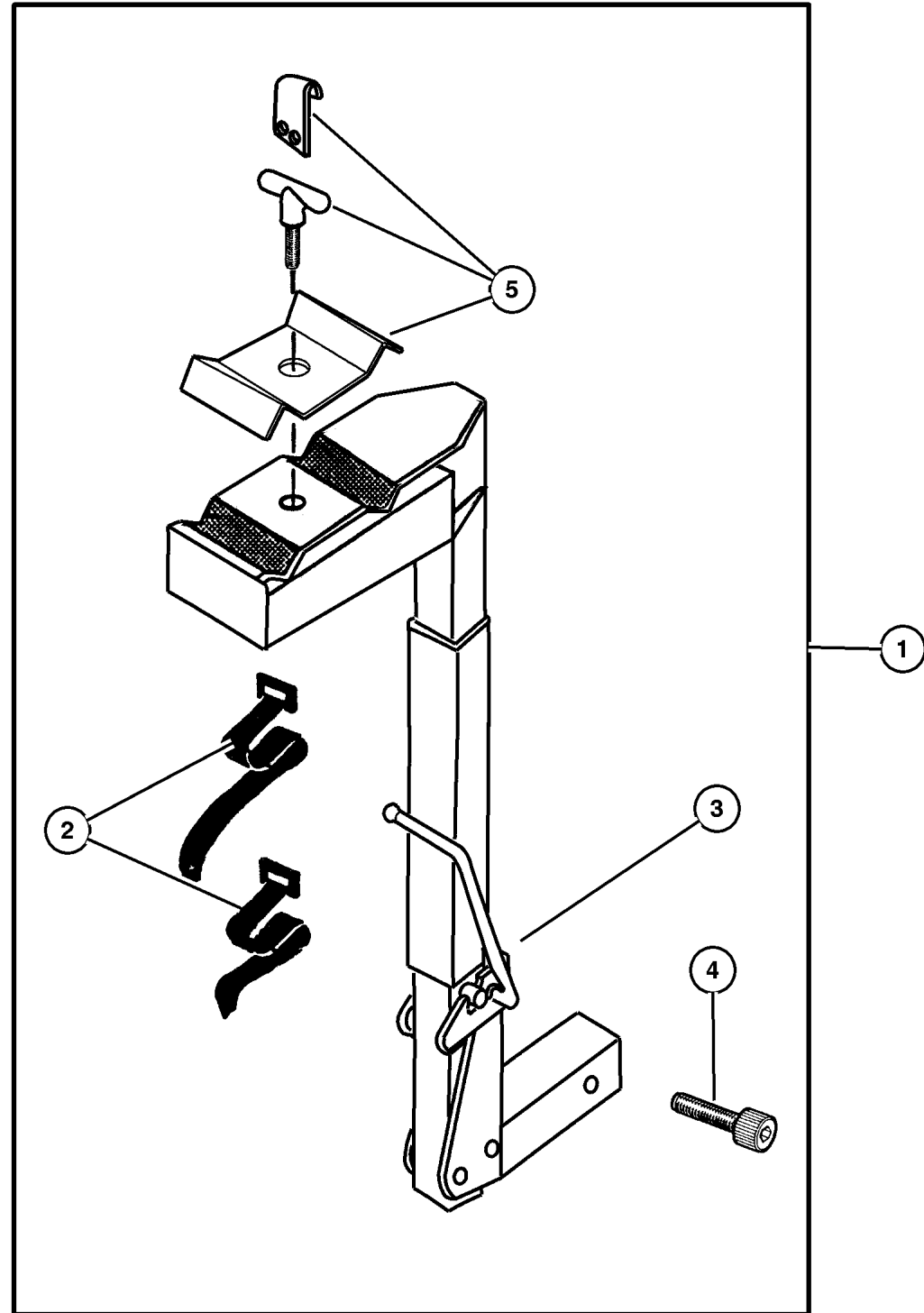
<b>JEEP WRANGLER (TJ)</b>				
SERIES	LINE	BODY	ENGINE	TRANSMISSION
H = Sport	J = Wrangler 4WD	77 = 93.4 WB	ED1, ED0 = 2.4L DOHC	DGG, DGD = 32RH 3 Spd. Auto.
L = SE	U = Wrangler 4WD (RHD)		ERH = 4.0L Power Tech	DDD = 5 Speed HD Manual
M = X				DG0 = Auto. Trans.
P = Sahara				DBB = Manual Trans.
S = Rubicon				DDK = 5 Speed Manual

AR = Use as required - = Non illustrated part # = New this model year

January 6, 2004

**Bike Carrier - Hitch Mount 2 Bikes**  
**Figure 001-220**

ITEM	PART NUMBER	QTY	LINE	SERIES	BODY	ENGINE	TRANS	TRIM	DESCRIPTION
NOTE: Folds down for access to rear deck, has anti theft bolts.									
NOTE; Not to be used with a spare of 31x10.50 or larger									
1	8220 4452	1	J		77				CARRIER KIT, Bike, 1.25 inch Receiver
2	4762 880	1	J		77				STRAP KIT, Velcro
3	5016 775AA	1	J		77				STRAP KIT, Bike Carrier Latch, Contains: 2-Rubber Straps
4	5016 774AA	1	J		77				BOLT KIT, Security
5	5018 825AA	1	J		77				HARDWARE KIT, Bike Carrier



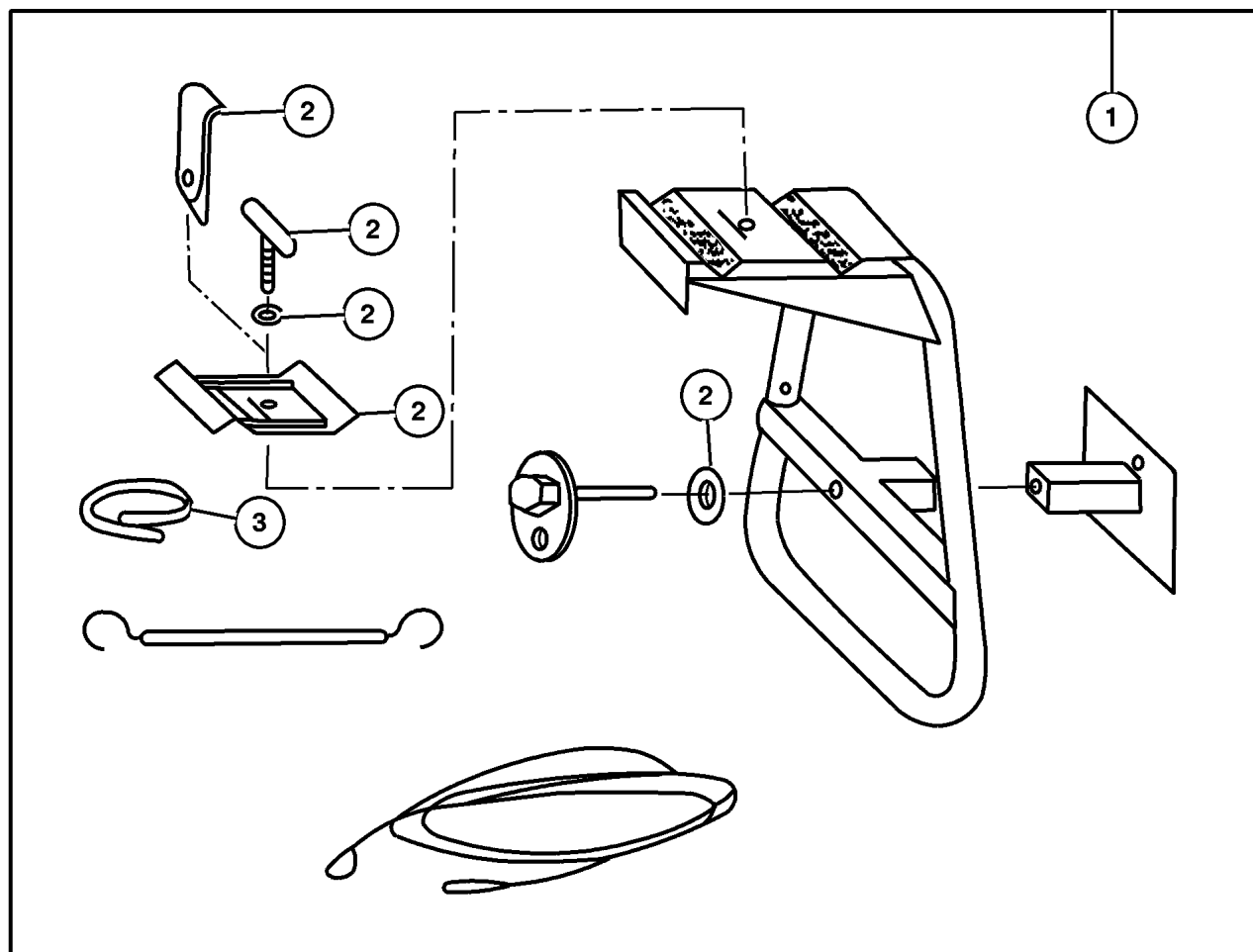
<b>JEEP WRANGLER (TJ)</b>				
SERIES	LINE	BODY	ENGINE	TRANSMISSION
H = Sport	J = Wrangler 4WD	77 = 93.4 WB	ED1, ED0 = 2.4L DOHC	DGG, DGD = 32RH 3 Spd. Auto.
L = SE	U = Wrangler 4WD (RHD)		ERH = 4.0L Power Tech	DDD = 5 Speed HD Manual
M = X				DG0 = Auto. Trans.
P = Sahara				DBB = Manual Trans.
S = Rubicon				DDK = 5 Speed Manual

AR = Use as required - = Non illustrated part # = New this model year

January 6, 2004

**Bike Carrier - Spare Tire Mount**  
**Figure 001-222**

ITEM	PART NUMBER	QTY	LINE	SERIES	BODY	ENGINE	TRANS	TRIM	DESCRIPTION
NOTE: Mounts to Spare Tire - Holds two Bikes with Crossbars									
1	8220 7520	1	J		77				CARRIER KIT, Bike
2	5018 825AA	1	J		77				HARDWARE KIT, Bike Carrier
3	4762 880	1	J		77				STRAP KIT, Velcro, Contains: 1 Long and 1 Short Strap



<b>JEEP WRANGLER (TJ)</b>				
SERIES	LINE	BODY	ENGINE	TRANSMISSION
H = Sport	J = Wrangler 4WD	77 = 93.4 WB	ED1, ED0 = 2.4L DOHC	DGG, DGD = 32RH 3 Spd. Auto.
L = SE	U = Wrangler 4WD (RHD)		ERH = 4.0L Power Tech	DDD = 5 Speed HD Manual
M = X				DG0 = Auto. Trans.
P = Sahara				DBB = Manual Trans.
S = Rubicon				DDK = 5 Speed Manual

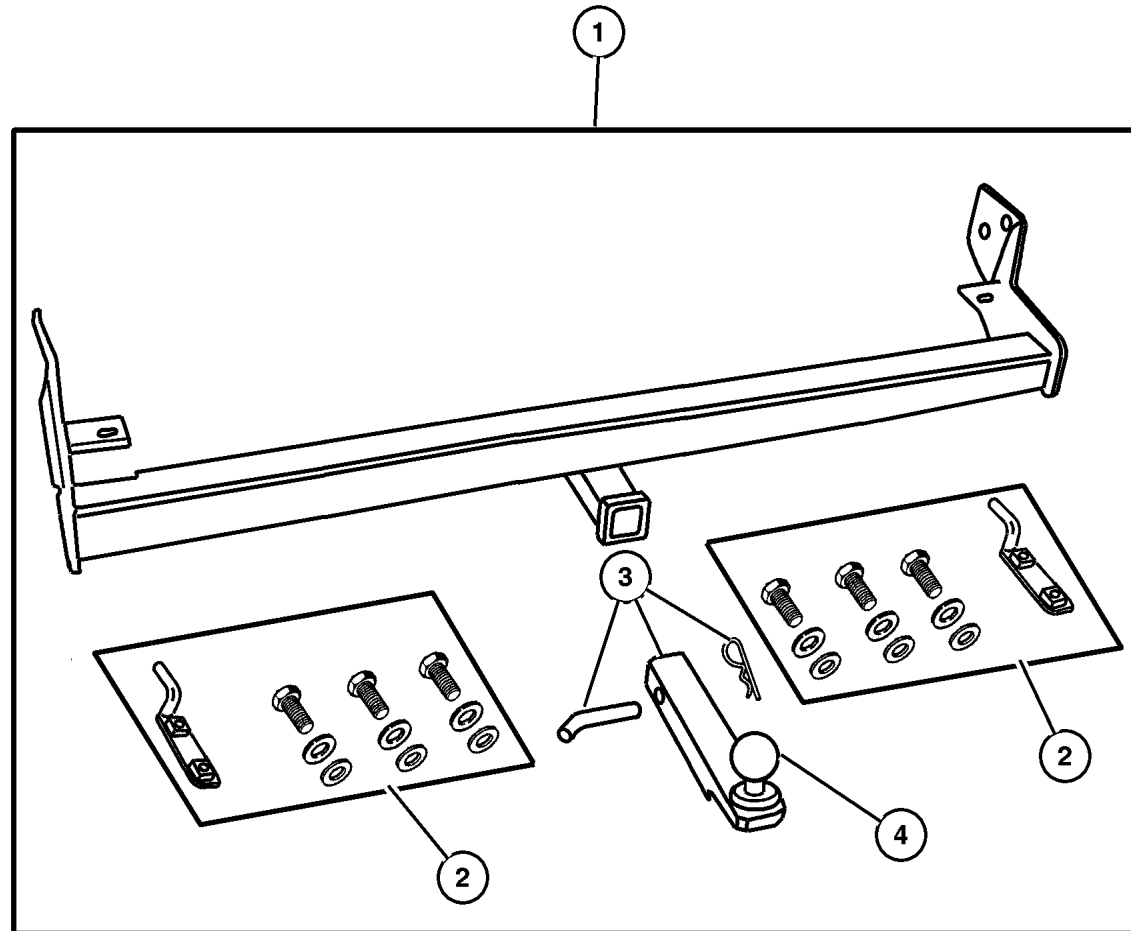
AR = Use as required - = Non illustrated part # = New this model year

January 6, 2004



**Trailer Tow - Receiver Kit  
Figure 001-250**

ITEM	PART NUMBER	QTY	LINE	SERIES	BODY	ENGINE	TRANS	TRIM	DESCRIPTION
1	8220 4119	1	J		77				RECEIVER KIT, Trailer Tow
2									HARDWARE KIT, Hitch, Serviced in Kit, (NOT SERVICED) (Not Serviced)
3	4549 284	1	J		77				ADAPTER KIT, Ball Mount
4	8240 1104	1	J		77				BALL KIT, Trailer Tow, Includes Drawbar, Pin and Clip



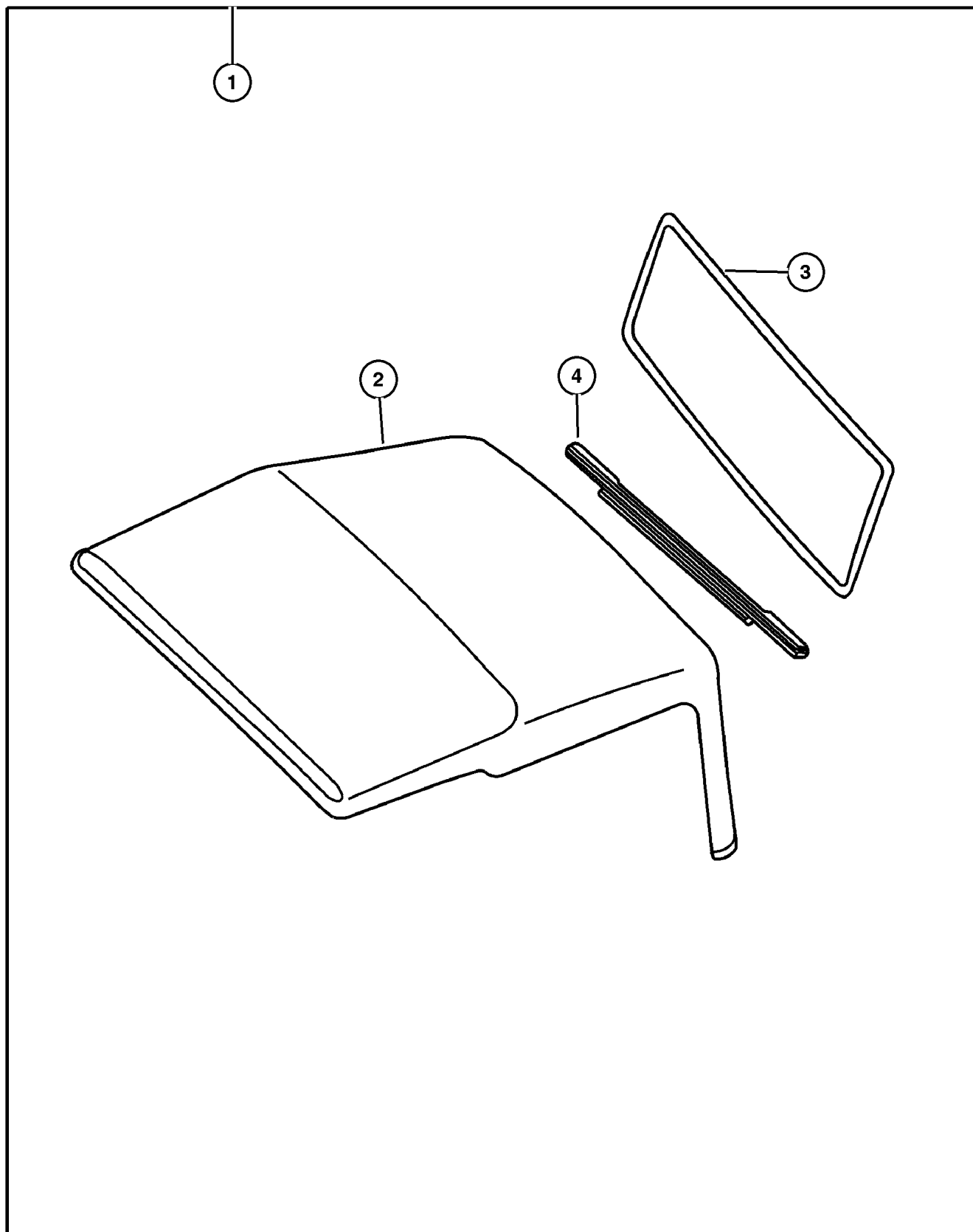
**JEEP WRANGLER (TJ)**

SERIES	LINE	BODY	ENGINE	TRANSMISSION
H = Sport	J = Wrangler 4WD	77 = 93.4 WB	ED1, ED0 = 2.4L DOHC	DGG, DGD = 32RH 3 Spd. Auto.
L = SE	U = Wrangler 4WD (RHD)		ERH = 4.0L Power Tech	DDD = 5 Speed HD Manual
M = X				DG0 = Auto. Trans.
P = Sahara				DBB = Manual Trans.
S = Rubicon				DDK = 5 Speed Manual

AR = Use as required - = Non illustrated part # = New this model year

January 6, 2004

**Top Kit - Soft Hardtop Replacement  
Figure 001-320**



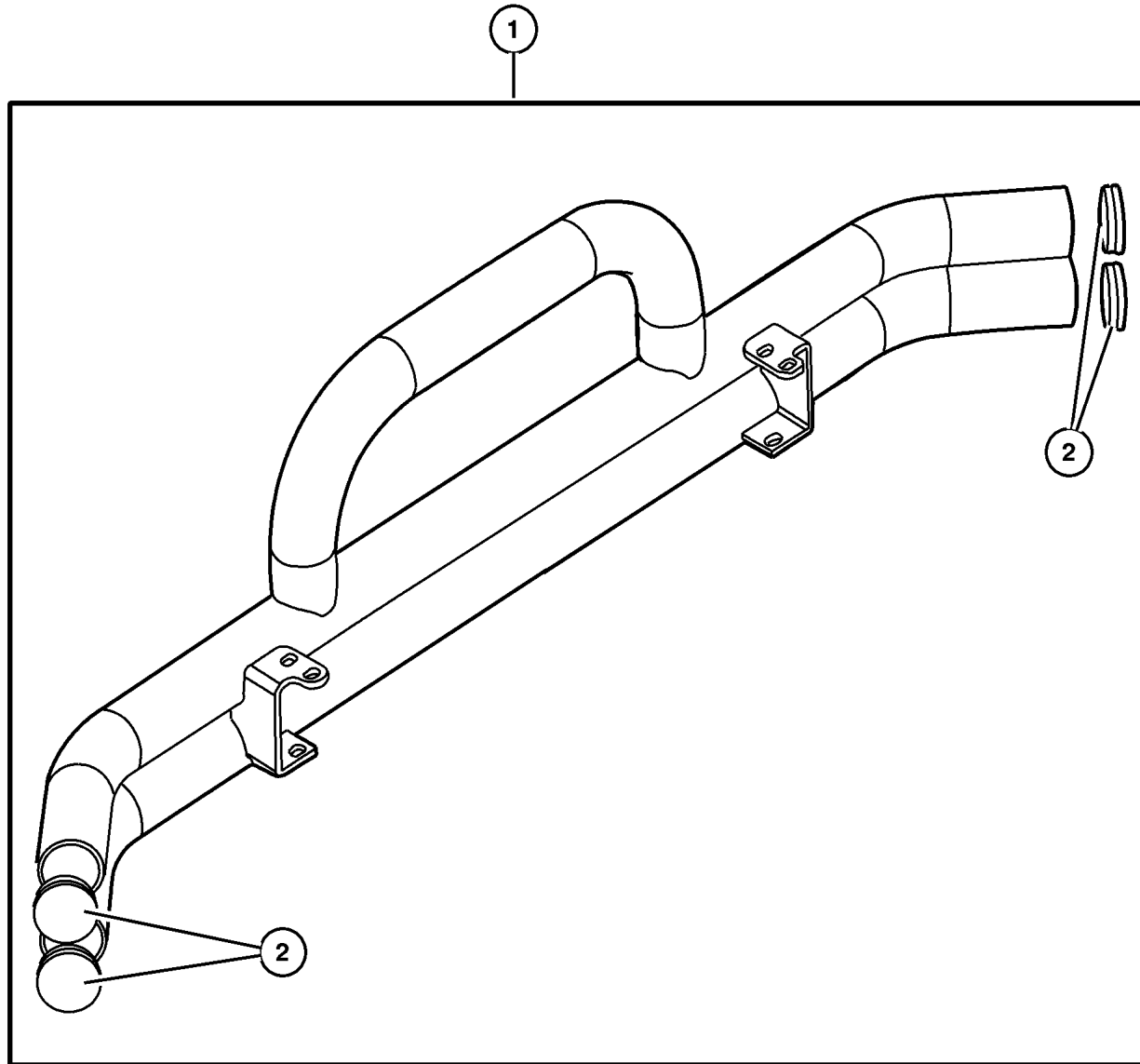
ITEM	PART NUMBER	QTY	LINE	SERIES	BODY	ENGINE	TRANS	TRIM	DESCRIPTION
NOTE: Half door window Kits must be ordered seperately									
1									TOP KIT, Soft - Hardtop Replacement
	8220 7728	1							Black
	8220 7729	1							Khaki
2									COVER, Soft Top
	5JM59 SX9AD	1							Black
	5JM59 ZJ8AD	1							Khaki
3									WINDOW, Tailgate
	5JH07 SX9AB	1							Black Tinted
	5JH07 ZJ8AB	1							Khaki Tinted
	5JH14 SX9AB	1							Black Privacy [GCD]
	5JH14 ZJ8AB	1							Khaki Privacy [GCD]
4	55176 736AC	1							RETAINER, Soft Top Rail
-5	8220 8167	1							WINDOW KIT, Door - Front, Use with half door

**JEEP WRANGLER (TJ)**

SERIES	LINE	BODY	ENGINE	TRANSMISSION
H = Sport	J = Wrangler 4WD	77 = 93.4 WB	ED1, ED0 = 2.4L DOHC	DGG, DGD = 32RH 3 Spd. Auto.
L = SE	U = Wrangler 4WD (RHD)		ERH = 4.0L Power Tech	DDD = 5 Speed HD Manual
M = X				DG0 = Auto. Trans.
P = Sahara				DBB = Manual Trans.
S = Rubicon				DDK = 5 Speed Manual

**Bumper Kit- Front Tubular**  
**Figure 001-410**

ITEM	PART NUMBER	QTY	LINE	SERIES	BODY	ENGINE	TRANS	TRIM	DESCRIPTION
1									BUMPER KIT, Tubular
	8220 2173	1	J		77				Black painted Steel
	8220 2175	1	J		77				Black anodized Aluminum
	8220 4269	1	J		77				Chromed Steel
2									END CAP, Bumper
	4897 576AA	1	J		77				For Steel Bumper
	4897 577AA	1	J		77				For Aluminum Bumper



**JEEP WRANGLER (TJ)**

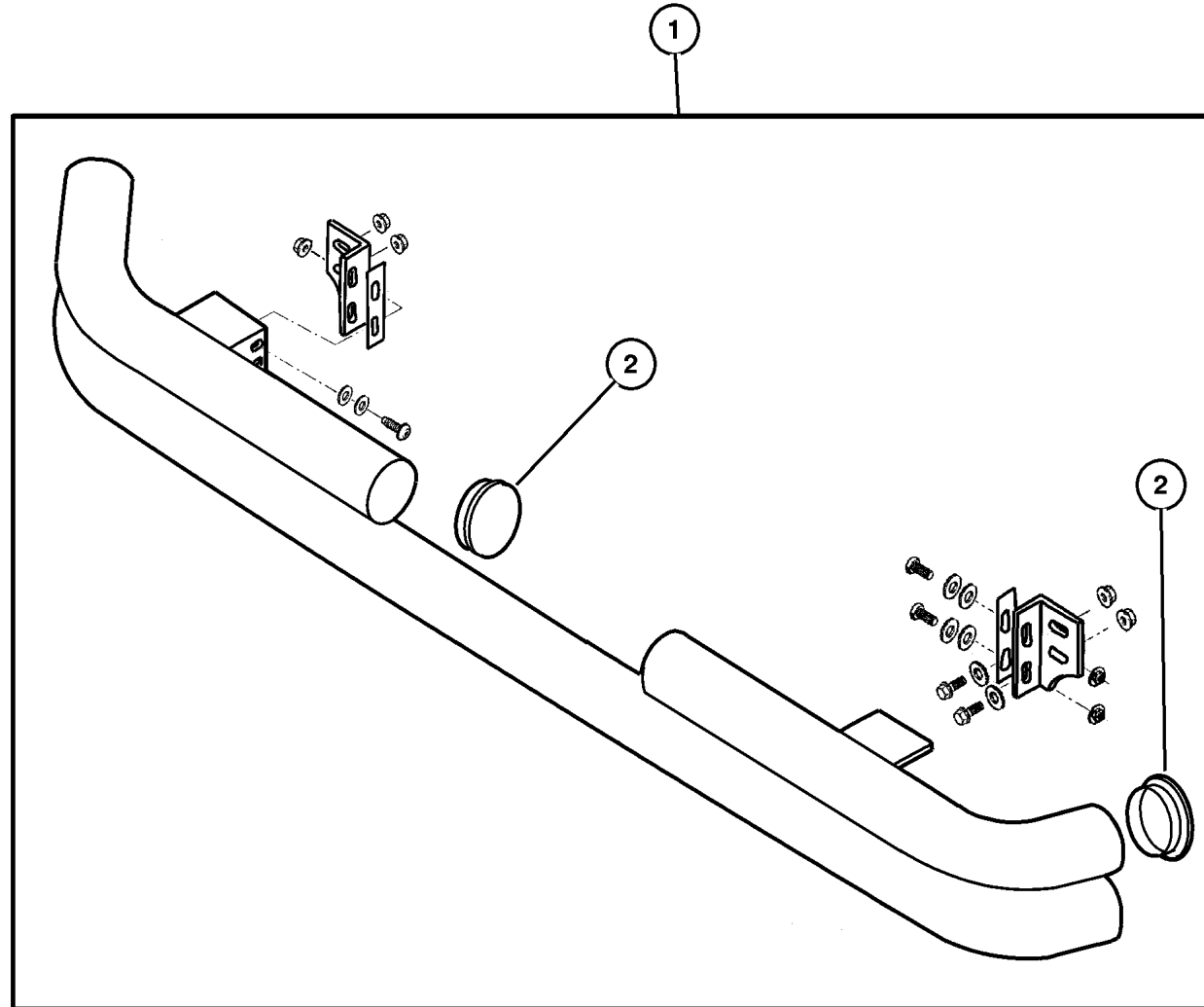
SERIES	LINE	BODY	ENGINE	TRANSMISSION
H = Sport	J = Wrangler 4WD	77 = 93.4 WB	ED1, ED0 = 2.4L DOHC	DGG, DGD = 32RH 3 Spd. Auto.
L = SE	U = Wrangler 4WD (RHD)		ERH = 4.0L Power Tech	DDD = 5 Speed HD Manual
M = X				DG0 = Auto. Trans.
P = Sahara				DBB = Manual Trans.
S = Rubicon				DDK = 5 Speed Manual

AR = Use as required - = Non illustrated part # = New this model year

January 6, 2004

**Bumper Kit - Rear Tubular**  
**Figure 001-420**

ITEM	PART NUMBER	QTY	LINE	SERIES	BODY	ENGINE	TRANS	TRIM	DESCRIPTION
1									BUMPER KIT, Tubular-Rear
	8220 3290	1	J		77				Black painted Steel
	8220 3294	1	J		77				Black anodized Aluminum
	8220 3295	1	J		77				Chromed Steel
2									END CAP, Bumper
	4897 576AA	1	J		77				For Steel Bumper
	4897 577AA	1	J		77				For Aluminum Bumper



**JEEP WRANGLER (TJ)**

SERIES	LINE	BODY	ENGINE	TRANSMISSION
H = Sport	J = Wrangler 4WD	77 = 93.4 WB	ED1, ED0 = 2.4L DOHC	DGG, DGD = 32RH 3 Spd. Auto.
L = SE	U = Wrangler 4WD (RHD)		ERH = 4.0L Power Tech	DDD = 5 Speed HD Manual
M = X				DG0 = Auto. Trans.
P = Sahara				DBB = Manual Trans.
S = Rubicon				DDK = 5 Speed Manual

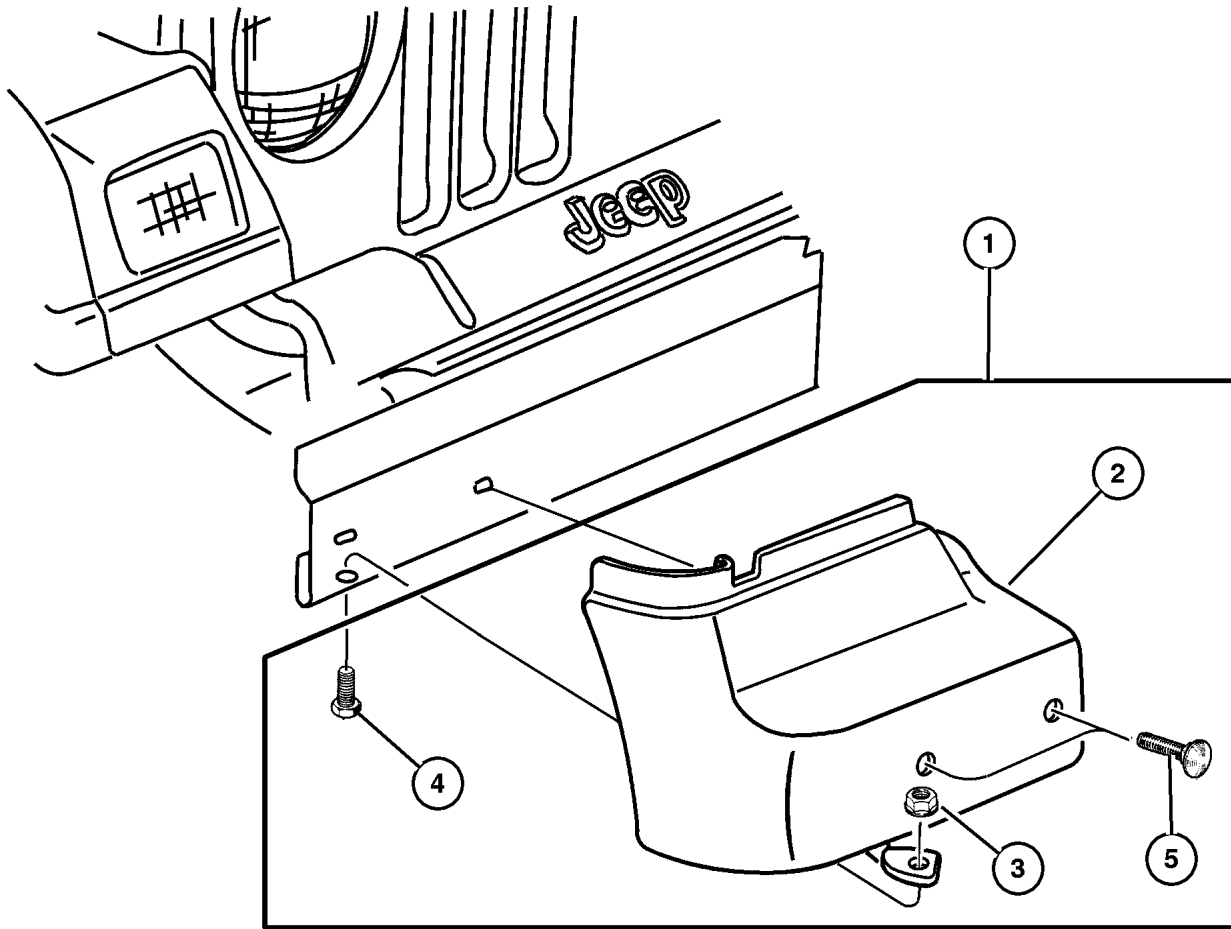
AR = Use as required - = Non illustrated part # = New this model year

January 6, 2004



**Extension Kit - Front Bumper  
Figure 001-430**

ITEM	PART NUMBER	QTY	LINE	SERIES	BODY	ENGINE	TRANS	TRIM	DESCRIPTION
1	8220 2378	1	J		77				EXTENSION PACKAGE, Front
2									Bumper COVER, Bumper Right
	55155 668AB	1							Left
	55155 669AB	1							
3	6101 447	4							NUT
4	6504 212	2							SCREW, Large Round Washer Head Lock, M6x1.00x20.00
5	6504 723	4							BOLT



**JEEP WRANGLER (TJ)**

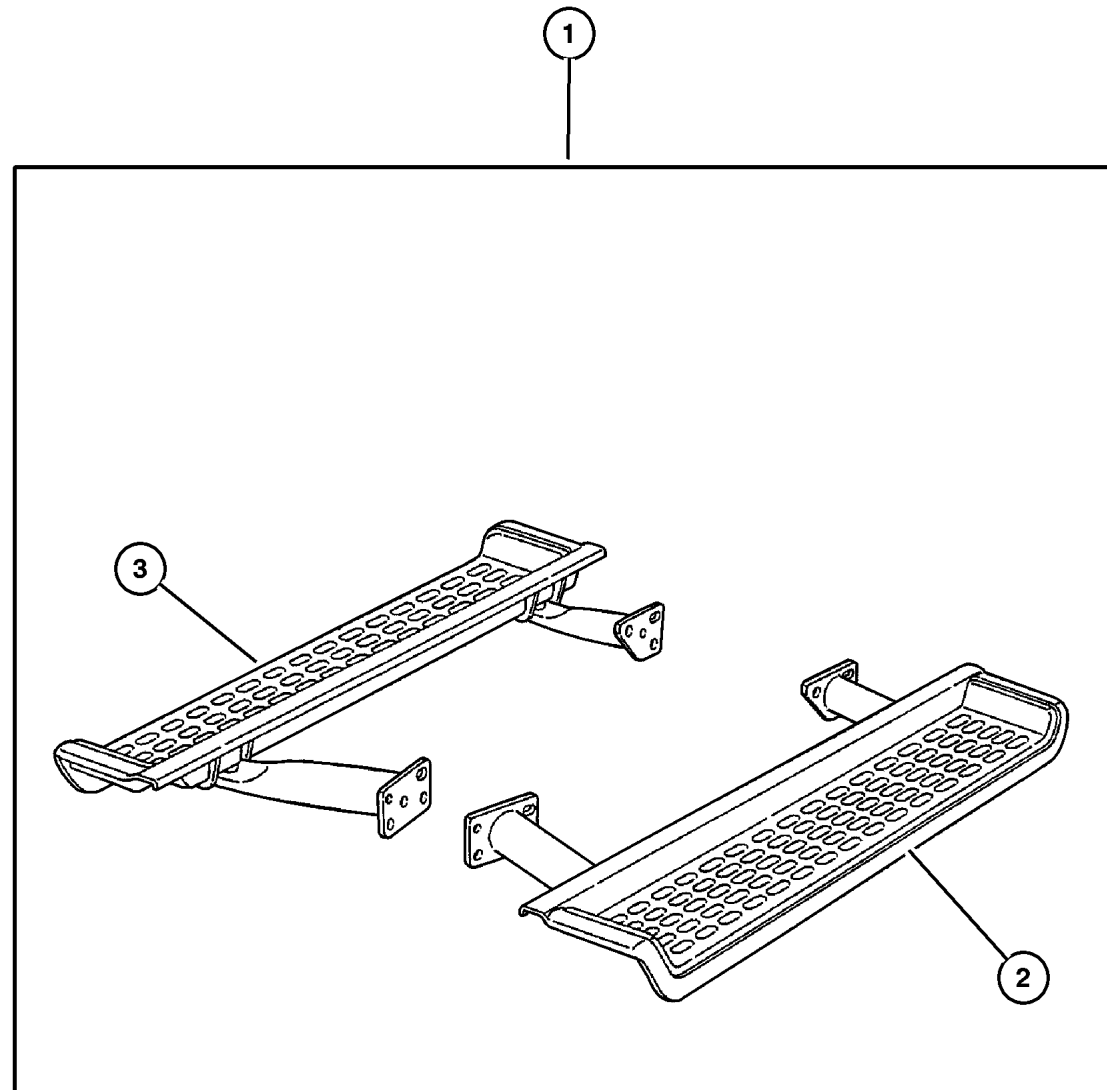
SERIES	LINE	BODY	ENGINE	TRANSMISSION
H = Sport	J = Wrangler 4WD	77 = 93.4 WB	ED1, ED0 = 2.4L DOHC	DGG, DGD = 32RH 3 Spd. Auto.
L = SE	U = Wrangler 4WD (RHD)		ERH = 4.0L Power Tech	DDD = 5 Speed HD Manual
M = X				DG0 = Auto. Trans.
P = Sahara				DBB = Manual Trans.
S = Rubicon				DDK = 5 Speed Manual

AR = Use as required - = Non illustrated part # = New this model year

January 6, 2004

Side Step Kit  
Figure 001-440

ITEM	PART NUMBER	QTY	LINE	SERIES	BODY	ENGINE	TRANS	TRIM	DESCRIPTION
1	8220 6456	1	J		77				STEP PACKAGE, Side
2	55156 200AB	1							STEP PAD, Side Step, Right
3	55156 201AB	1							STEP PAD, Side Step, Left
-4	5066 240AA	1	J		77				BOLT, M Bolt



**JEEP WRANGLER (TJ)**

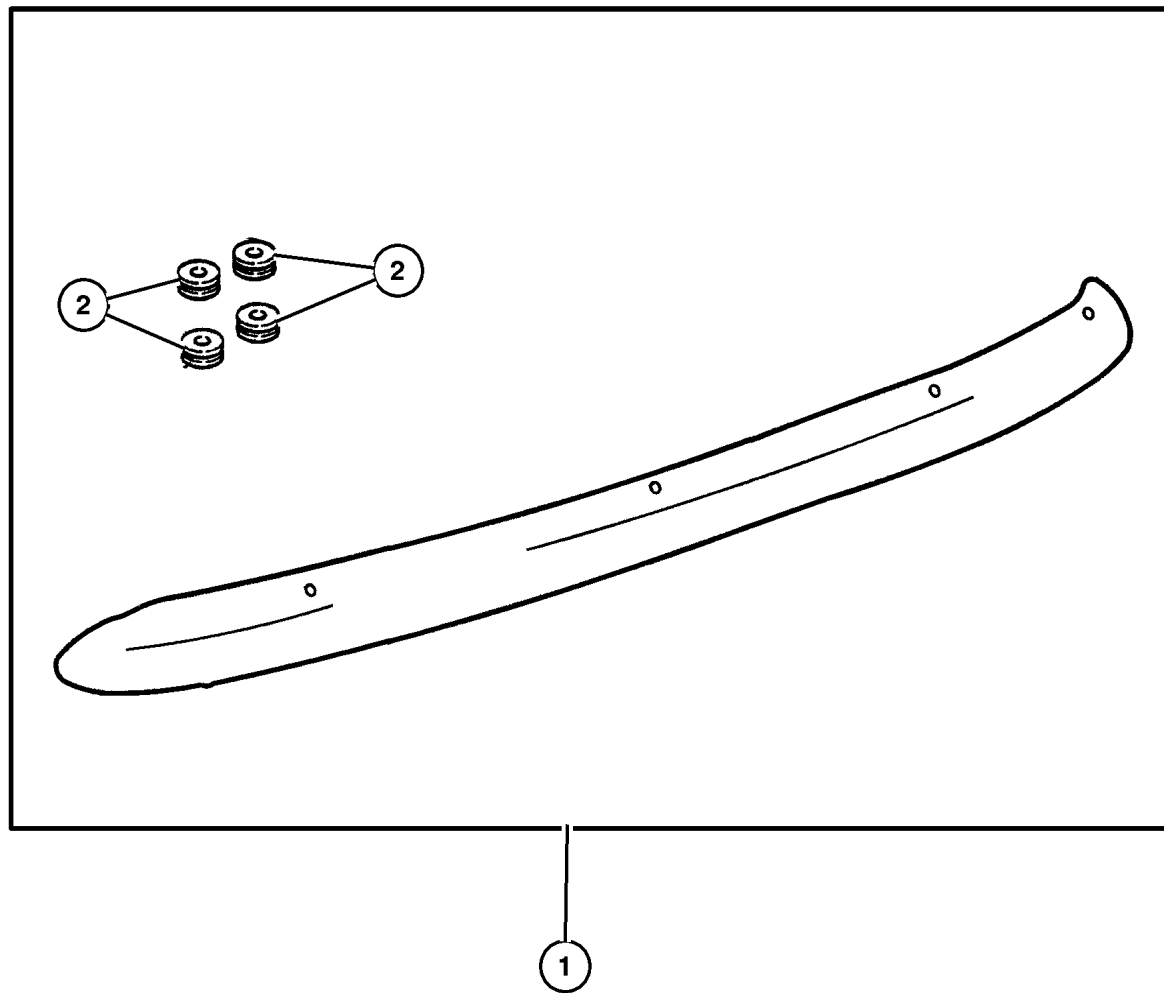
SERIES	LINE	BODY	ENGINE	TRANSMISSION
H = Sport	J = Wrangler 4WD	77 = 93.4 WB	ED1, ED0 = 2.4L DOHC	DGG, DGD = 32RH 3 Spd. Auto.
L = SE	U = Wrangler 4WD (RHD)		ERH = 4.0L Power Tech	DDD = 5 Speed HD Manual
M = X				DG0 = Auto. Trans.
P = Sahara				DBB = Manual Trans.
S = Rubicon				DDK = 5 Speed Manual

AR = Use as required - = Non illustrated part # = New this model year

January 6, 2004

**Shield Kit - Air Front**  
**Figure 001-510**

ITEM	PART NUMBER	QTY	LINE	SERIES	BODY	ENGINE	TRANS	TRIM	DESCRIPTION
1	8220 2160	1	J		77				SHIELD KIT, Air - Front
2	5014 754AA	1	J		77				SPACER, Air Deflector



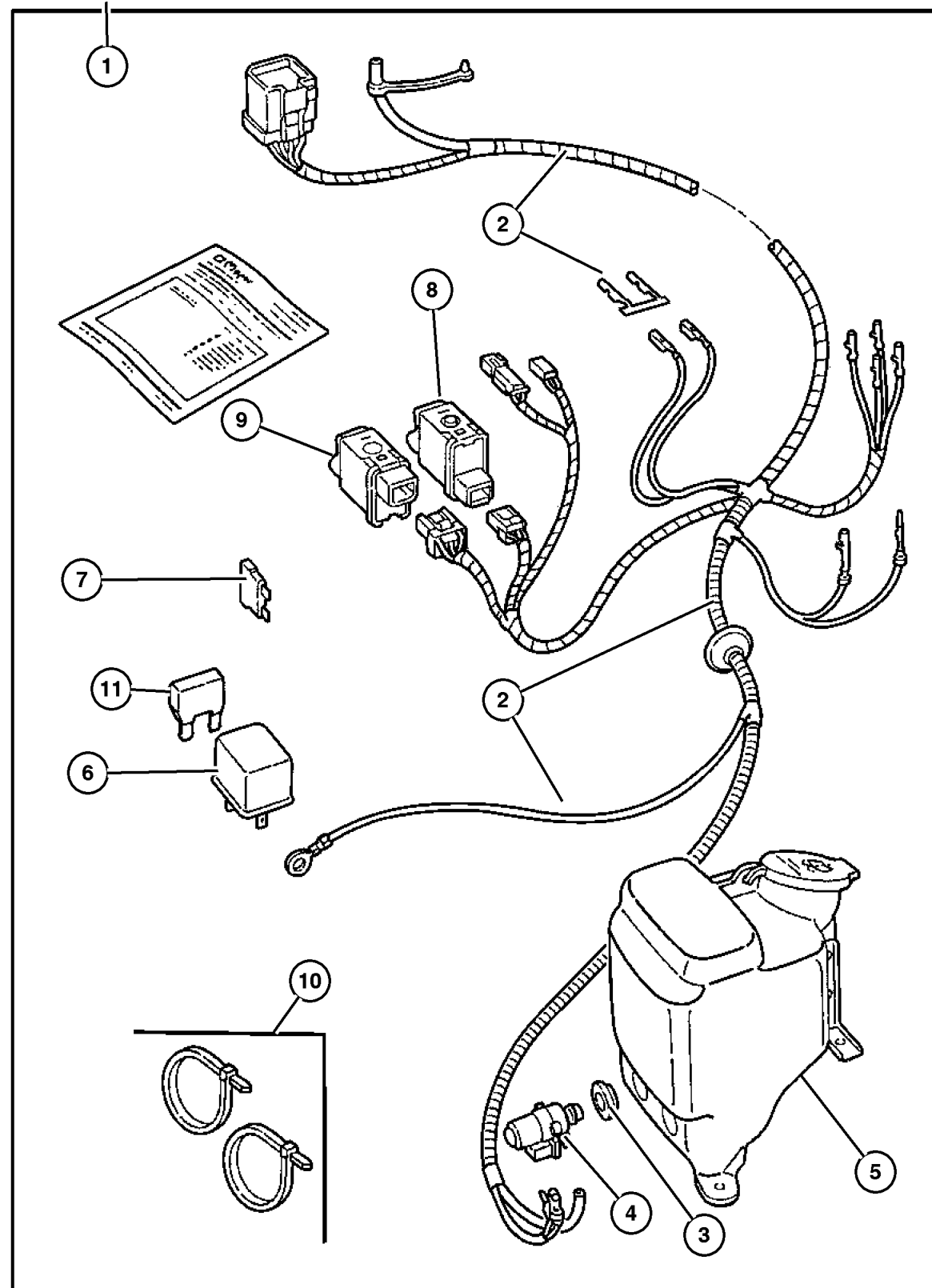
**JEEP WRANGLER (TJ)**

SERIES	LINE	BODY	ENGINE	TRANSMISSION
H = Sport	J = Wrangler 4WD	77 = 93.4 WB	ED1, ED0 = 2.4L DOHC	DGG, DGD = 32RH 3 Spd. Auto.
L = SE	U = Wrangler 4WD (RHD)		ERH = 4.0L Power Tech	DDD = 5 Speed HD Manual
M = X				DG0 = Auto. Trans.
P = Sahara				DBB = Manual Trans.
S = Rubicon				DDK = 5 Speed Manual

AR = Use as required - = Non illustrated part # = New this model year

January 6, 2004

## Hardtop Wiring Kit Figure 001-550



ITEM	PART NUMBER	QTY	LINE	SERIES	BODY	ENGINE	TRANS	TRIM	DESCRIPTION
1	8220 8132	1	J		77				WIRING PACKAGE, Enclosure
2	8220 8214	1	J		77				WIRING, Hardtop
3	5096 346AA	2							GROMMET, Washer Reservoir
4	5096 343AA	2							PUMP, Washer, Windshield
5	5096 345AA	1							RESERVOIR, Washer
6	4638 094	1							RELAY PACKAGE, Electrical
7	00AT M10	1			77				FUSE, Mini, 10 AMP, Red
8	5600 7250	1			77				SWITCH, Electric Back Light
9	5600 7249	1			77				SWITCH, Wiper and Washer
10	5073 039AA	1							STRAP, Tie
11	4868 008AA	1							FUSE CARTRIDGE, 40 Amp

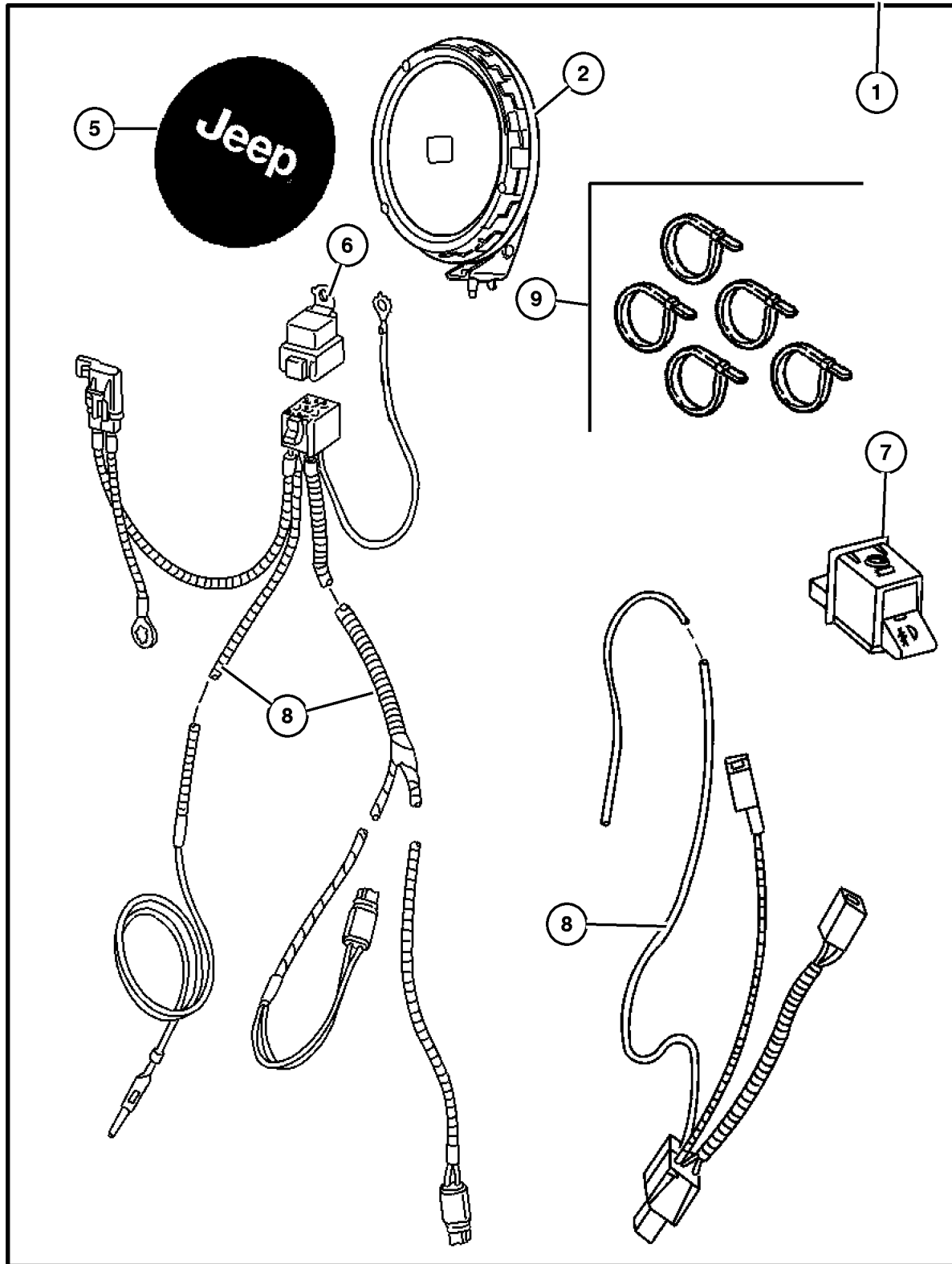
### JEEP WRANGLER (TJ)

SERIES	LINE	BODY	ENGINE	TRANSMISSION
H = Sport	J = Wrangler 4WD	77 = 93.4 WB	ED1, ED0 = 2.4L DOHC	DGG, DGD = 32RH 3 Spd. Auto.
L = SE	U = Wrangler 4WD (RHD)		ERH = 4.0L Power Tech	DDD = 5 Speed HD Manual
M = X				DG0 = Auto. Trans.
P = Sahara				DBB = Manual Trans.
S = Rubicon				DDK = 5 Speed Manual

AR = Use as required - = Non illustrated part # = New this model year

January 6, 2004

**Light Kit - Fog**  
**Figure 001-610**



ITEM	PART NUMBER	QTY	LINE	SERIES	BODY	ENGINE	TRANS	TRIM	DESCRIPTION
------	-------------	-----	------	--------	------	--------	-------	------	-------------

**NOTE:**

Use Bracket Kit 82202610 for Front Tube Bumpers

Wiring will need to be modified to fit application

1	8220 8017	1	J		77				LIGHT PACKAGE, Fog
2	55055 095AG	2	J						LAMP, Fog
-3	4864 773	1	J						RETAINER, Fog Lamp Bulb
-4	L00H 355W	1	J						BULB, Fog Lamp, H-3 55 WATT
5	8220 2585	1							COVER KIT, Light
6	4638 094	1			77				RELAY PACKAGE, Electrical
7	5016 709AC	1							SWITCH, Multifunction
8	8220 8244	1	J		77				WIRING, Fog Lamp
9	5073 039AA	1							STRAP, Tie

**JEEP WRANGLER (TJ)**

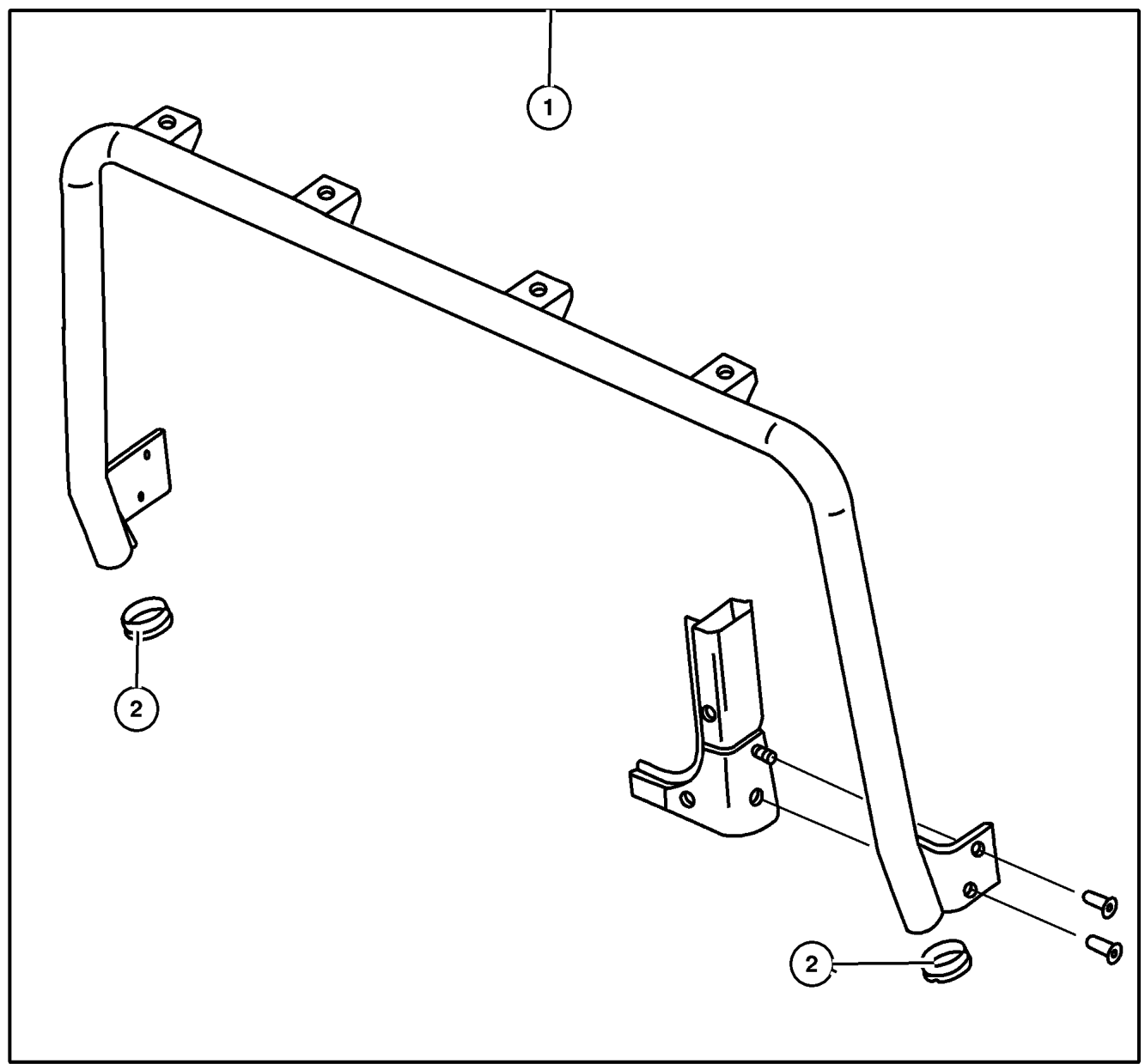
SERIES	LINE	BODY	ENGINE	TRANSMISSION
H = Sport	J = Wrangler 4WD	77 = 93.4 WB	ED1, ED0 = 2.4L DOHC	DGG, DGD = 32RH 3 Spd. Auto.
L = SE	U = Wrangler 4WD (RHD)		ERH = 4.0L Power Tech	DDD = 5 Speed HD Manual
M = X				DG0 = Auto. Trans.
P = Sahara				DBB = Manual Trans.
S = Rubicon				DDK = 5 Speed Manual

AR = Use as required - = Non illustrated part # = New this model year

January 6, 2004

**Bar Kit - Light Windshield  
Figure 001-630**

ITEM	PART NUMBER	QTY	LINE	SERIES	BODY	ENGINE	TRANS	TRIM	DESCRIPTION
NOTE: Windshield mount holds up to four lights. Includes wire harness. Windshield cannot be lowered.									
1	8220 7174	1	J		77				BAR KIT, Light-Windshield Steel, Painted Black
	8220 7175	1	J		77				Aluminum, Black Anodized
	8220 7176	1	J		77				Steel, Chromed
2	4897 579AA	1	J		77				END CAP, Light Bar For Steel Bar
	4897 580AA	1	J		77				For Aluminum Bar



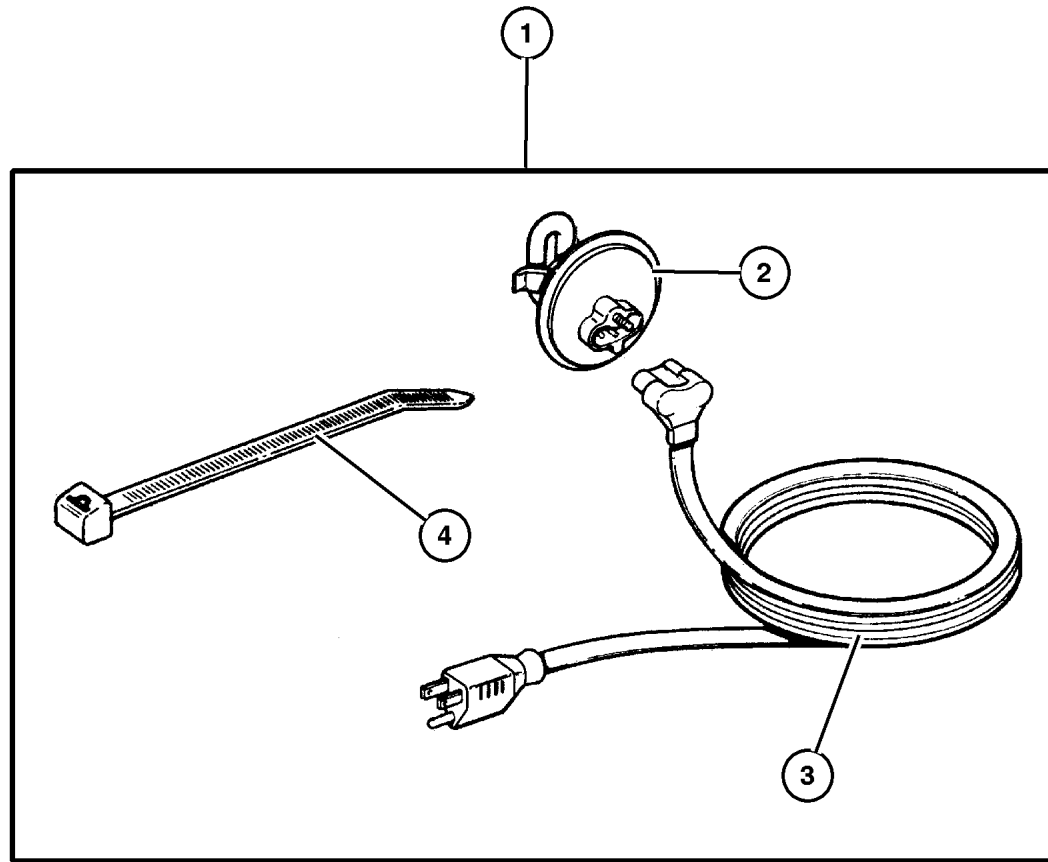
<b>JEEP WRANGLER (TJ)</b>				
SERIES	LINE	BODY	ENGINE	TRANSMISSION
H = Sport	J = Wrangler 4WD	77 = 93.4 WB	ED1, ED0 = 2.4L DOHC	DGG, DGD = 32RH 3 Spd. Auto.
L = SE	U = Wrangler 4WD (RHD)		ERH = 4.0L Power Tech	DDD = 5 Speed HD Manual
M = X				DG0 = Auto. Trans.
P = Sahara				DBB = Manual Trans.
S = Rubicon				DDK = 5 Speed Manual

AR = Use as required - = Non illustrated part # = New this model year

January 6, 2004

**Heater Kit - Engine Block, 4.0L Engine  
Figure 001-650**

ITEM	PART NUMBER	QTY	LINE	SERIES	BODY	ENGINE	TRANS	TRIM	DESCRIPTION
1	8220 1506	1							HEATER PACKAGE, Engine Block, 4.0L Engine
2									HEATER, Engine Block, Serviced only in package, (NOT SERVICED) (Not Serviced)
3	J575 2677	1							CORD, Engine Block Heater
4	5073 039AA	1							STRAP, Tie



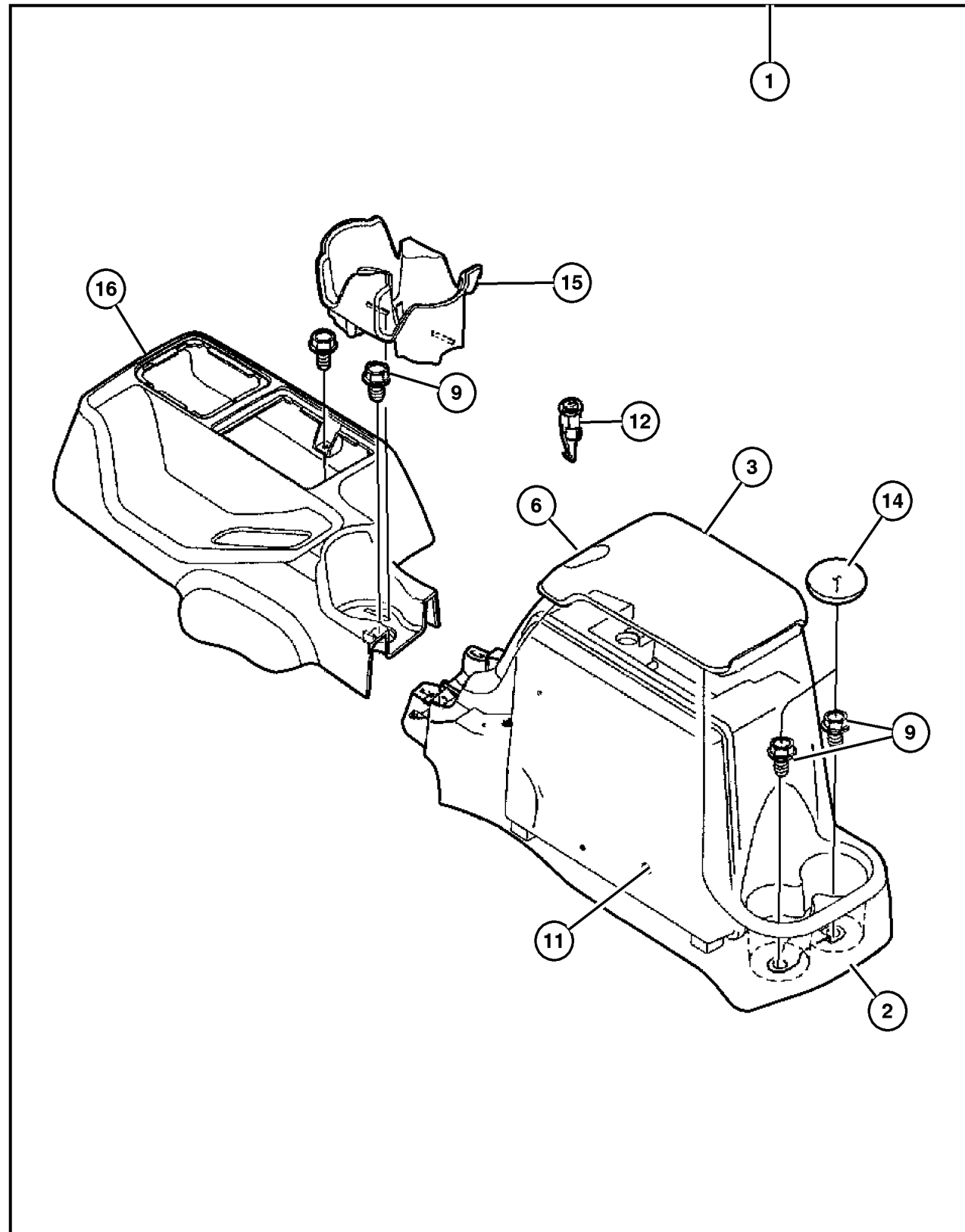
**JEEP WRANGLER (TJ)**

SERIES	LINE	BODY	ENGINE	TRANSMISSION
H = Sport	J = Wrangler 4WD	77 = 93.4 WB	ED1, ED0 = 2.4L DOHC	DGG, DGD = 32RH 3 Spd. Auto.
L = SE	U = Wrangler 4WD (RHD)		ERH = 4.0L Power Tech	DDD = 5 Speed HD Manual
M = X				DG0 = Auto. Trans.
P = Sahara				DBB = Manual Trans.
S = Rubicon				DDK = 5 Speed Manual

AR = Use as required - = Non illustrated part # = New this model year

January 6, 2004

Console Kit - Floor  
Figure 001-820



ITEM	PART NUMBER	QTY	LINE	SERIES	BODY	ENGINE	TRANS	TRIM	DESCRIPTION
1									CONSOLE PACKAGE, Center
	8220 7705	1							Khaki
	8220 7706	1							Gray
2									CONSOLE, Floor
	5HE62 ZJ3AE	1							Khaki
	5HE62 XDVAE	1							Gray
3									LID, Center Console Storage
	#5HE63 ZJ3AE	1							Khaki
	#5HE63 XDVAE	1							Gray
-4	55315 039AB	1							HINGE, Floor Console Lid
-5	55315 040AC	1							BIN, Storage
6	55315 041AC	1							LATCH, Armrest Lid
-7	55315 043AC	1							PLATE, Speaker
-8	55315 051AA	2							BUMPER, Glove Box Door
9	6032 723	2							SCREW, Self Tapping, M4.2x1.69x19.05
-10	6034 833	2							CLIP, Push, .164-7.5
11	56038 743AC	1							SPEAKER, Sub Woofer
12	4746 305	1							CYLINDER, Console Lock
-13									SCREW, M6.3x1.81x30.0, (NOT SERVICED) (Not Serviced)
14	55315 050AA	1							MAT, Floor
15	55315 038AC	1							CUPHOLDER, Console
16									CONSOLE, Floor
	5HF13 XDVAC	1							Gray
	5HF13 ZJ3AC	1							Khaki
-17									WIRING, Serviced in Kit, (NOT SERVICED) (Not Serviced)

JEEP WRANGLER (TJ)

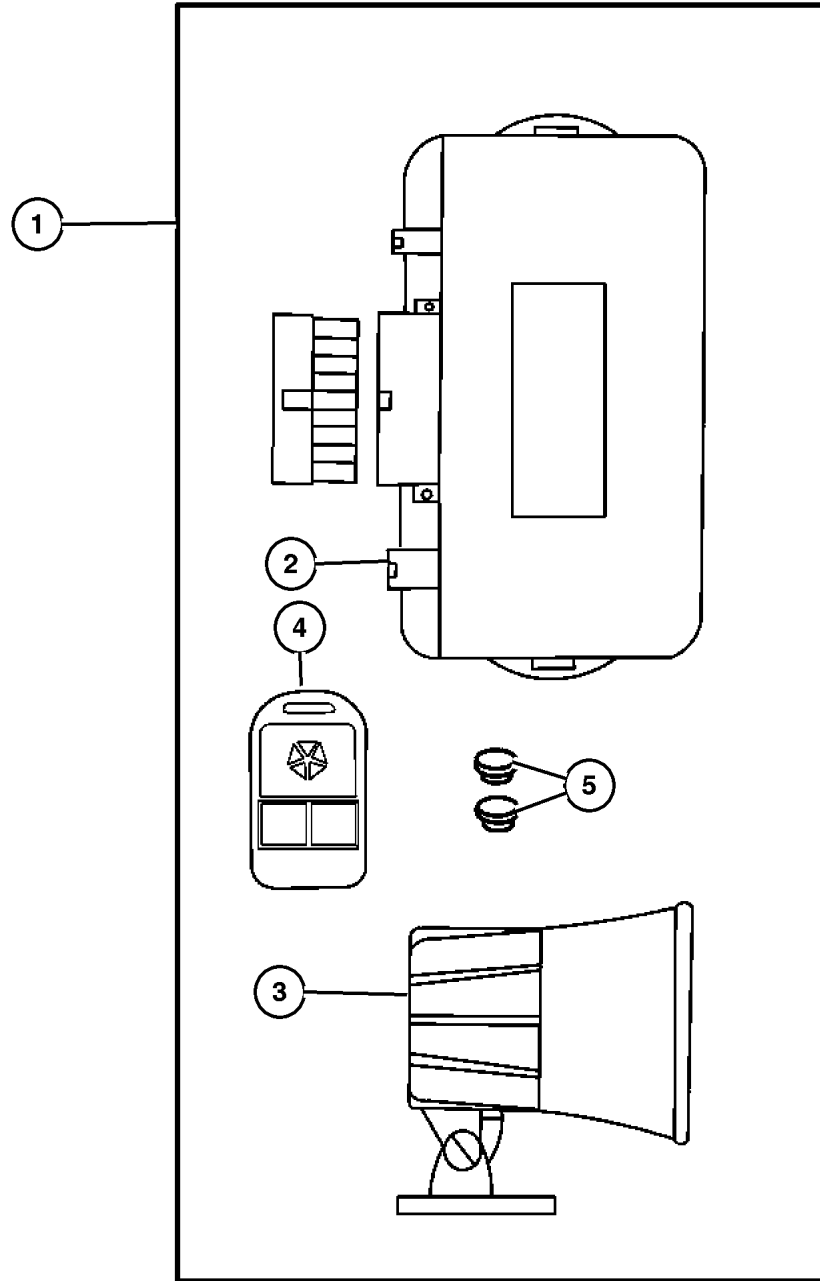
SERIES	LINE	BODY	ENGINE	TRANSMISSION
H = Sport	J = Wrangler 4WD	77 = 93.4 WB	ED1, ED0 = 2.4L DOHC	DGG, DGD = 32RH 3 Spd. Auto.
L = SE	U = Wrangler 4WD (RHD)		ERH = 4.0L Power Tech	DDD = 5 Speed HD Manual
M = X				DG0 = Auto. Trans.
P = Sahara				DBB = Manual Trans.
S = Rubicon				DDK = 5 Speed Manual

AR = Use as required - = Non illustrated part # = New this model year

January 6, 2004



**Alarm - EVS Base System  
Figure 001-910**



ITEM	PART NUMBER	QTY	LINE	SERIES	BODY	ENGINE	TRANS	TRIM	DESCRIPTION
1	8220 3763	1							MODULE KIT, Alarm without Keyless
2	5012 164AA	1							MODULE, Security Alarm
3	8220 3198	1							SIREN, Alarm
4	4886 374AA	1							TRANSMITTER, Alarm or Keyless
5	4636 141	1							BATTERY, Transmitter
-6	4886 259AA	1							INDICATOR, Valet Status
-7	4886 258AA	1							SWITCH, Programing Bypass

**JEEP WRANGLER (TJ)**

SERIES	LINE	BODY	ENGINE	TRANSMISSION
H = Sport	J = Wrangler 4WD	77 = 93.4 WB	ED1, ED0 = 2.4L DOHC	DGG, DGD = 32RH 3 Spd. Auto.
L = SE	U = Wrangler 4WD (RHD)		ERH = 4.0L Power Tech	DDD = 5 Speed HD Manual
M = X				DG0 = Auto. Trans.
P = Sahara				DBB = Manual Trans.
S = Rubicon				DDK = 5 Speed Manual

AR = Use as required - = Non illustrated part # = New this model year

January 6, 2004

# Group – 002

## Front Suspension & Drive

### GROUP 2 - Front Suspension & Drive

Illustration Title

Group-Fig. No.

#### Front Suspension

Suspension, Front Spring with Control Arms and Track Bar ..... Fig. 002-110

Bar, Front Sway ..... Fig. 002-120

#### Front Axle Drive Shafts

Shafts, Front Axle ..... Fig. 002-210

#### Front Axle Housing

Housing,Front Axle,4 Wheel Drive ..... Fig. 002-310

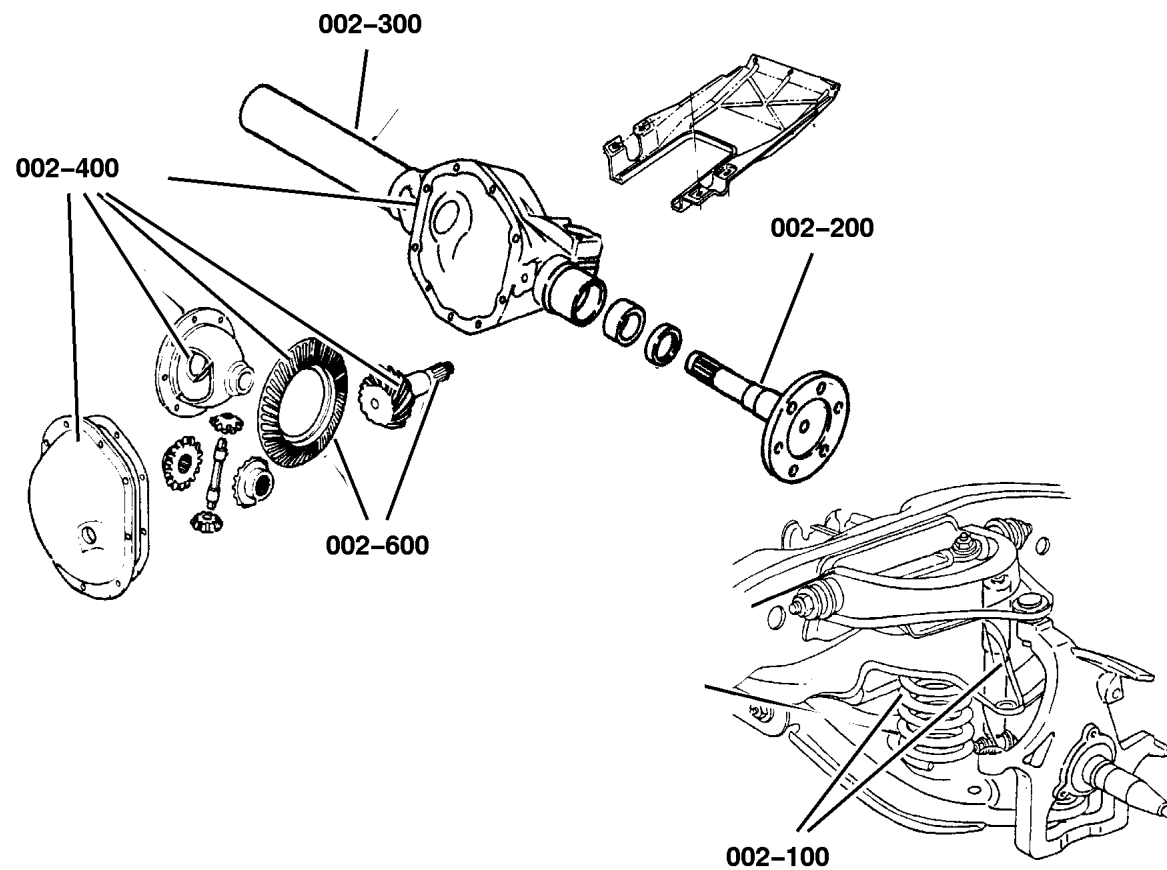
#### Front Axle Assembly



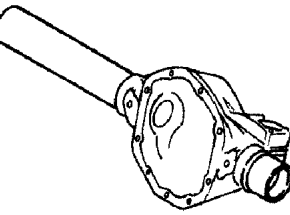
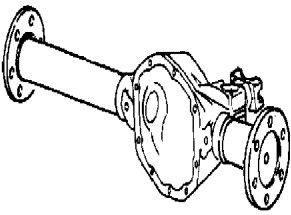
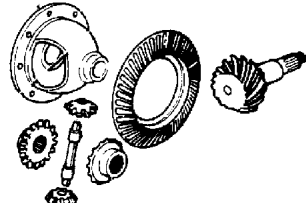
Axle Assembly,Front,4 Wheel Drive ..... Fig. 002-410

#### Front Axle Differential

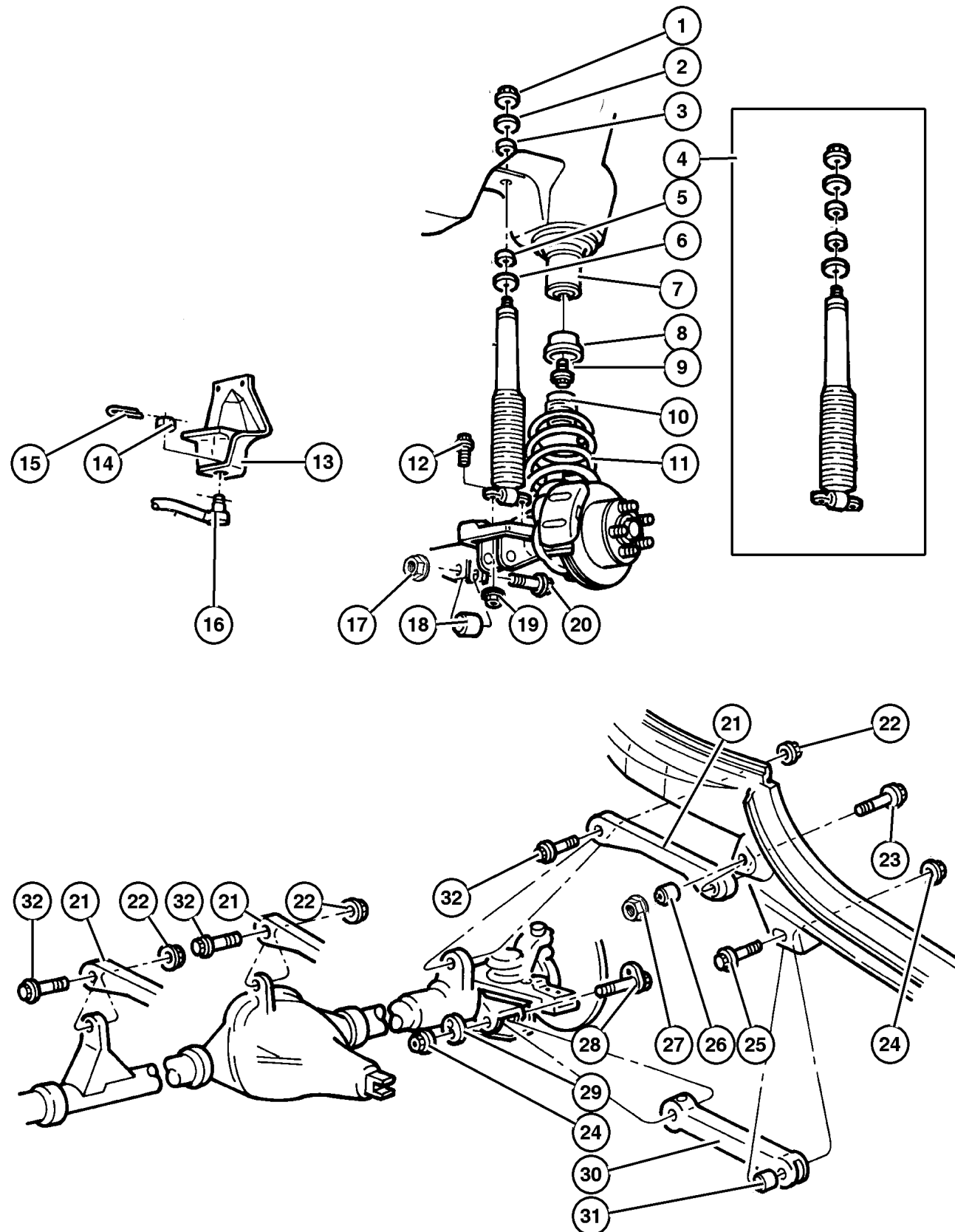
Differential,Front Axle,Without [DSE] ..... Fig. 002-610

Differential,Front Axle,With [DSE] ..... Fig. 002-620



<p><b>002-100</b> Front Suspension</p> 	<p><b>002-200</b> Front Axle Drive Shafts</p> 	<p><b>002-300</b> Front Axle Housing</p> 	<p><b>002-400</b> Front Axle Assembly</p> 
<p><b>002-600</b> Front Axle Differential</p> 			

## Suspension, Front Spring with Control Arms and Track Bar Figure 002-110



ITEM	PART NUMBER	QTY	LINE	SERIES	BODY	ENGINE	TRANS	TRIM	DESCRIPTION
Note: Sales Codes;									
[SDA]=Shock Absorbers - Gas Charged/Normal Duty									
[SDU]=Shocks - High Pressure Gas Charged									
[XDC]= Frame - Export, Unique									
[ZBE] Through [ZPJ]= Spring Sales Codes which will be found on Vehicle Identification Number [VIN] Sales Code Listing.									
1	6502 556	2							NUT, Hex, M10-1.5, Shock Mounting, Upper
2	5200 5574	2							RETAINER, Shock Absorber, Shock Mounting, Upper
3	5208 7768	2							GROMMET, Shock Absorber, Shock Mounting, Upper
4									SHOCK ABSORBER PACKAGE, Suspension, Front
	4897 567AA	2							[SDA]
	4886 533AI	2							[SDU]
	#5114 318AA	1	J		78				[SDU]
5									GROMMET, Shock Absorber Shock Mounting, Lower
	5208 7769	2			77				Shock Mounting, Lower
		2	J		78				Shock Mounting, Lower
6	5200 5575	2							RETAINER, Shock Absorber, Shock Mounting, Lower
7	5208 7767	2							ISOLATOR, Spring, Upper
8	5208 7635	2							CUP, Jounce Bumper
9	6100 402	2							BOLT, Hex Head, M10x35, Jounce Bumper Cup, Mounting
10	52087 636AB	2							BUMPER, Jounce
11									SPRING, Front Coil
	52060 130AA	1							[ZBH,ZPH]
	52060 131AA	1							[ZBJ,ZPJ]
	52088 127AB	1							[ZBE,ZPE]
	52088 128AB	1							[ZBF,ZPF]
	52088 129AB	1							[ZBG,ZPG]
12	6502 555	4							BOLT, M8x1.25x30, Shock Mounting, Lower
13									BRACKET, Track Bar, Purchase Frame, (NOT SERVICED) (Not Serviced)
14	6034 358	1							NUT, Hex, .50-20, Track Bar, Mounting
15									PIN, Cotter, M4x40.00, (NOT SERVICED) (Not Serviced)
16									BAR, Track

### JEEP WRANGLER (TJ)

SERIES  
H = Sport  
L = SE  
M = X  
P = Sahara  
S = Rubicon

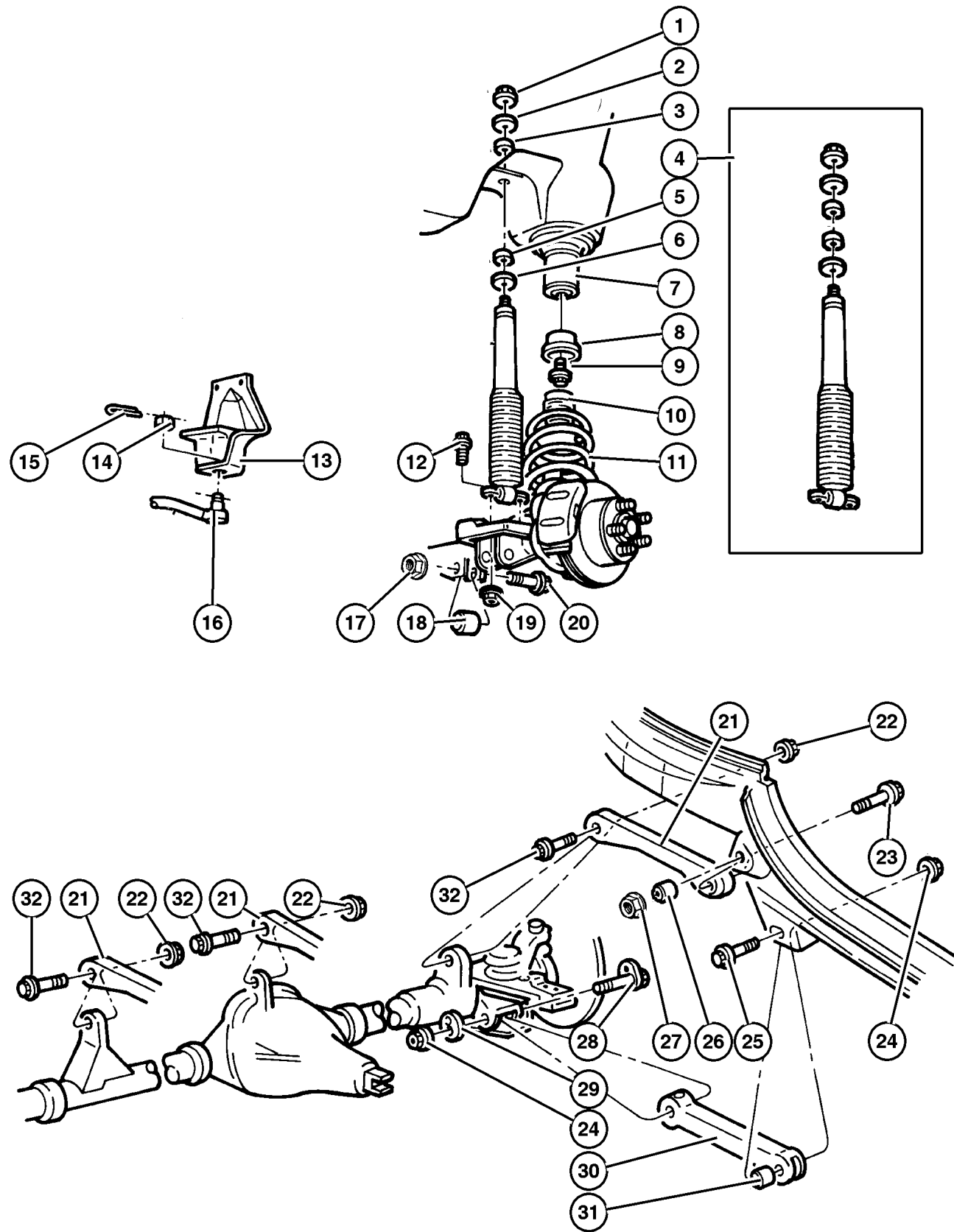
LINE  
J = Wrangler 4WD  
U = Wrangler 4WD (RHD)

BODY  
77 = 93.4 WB

ENGINE  
ED1, ED0 = 2.4L DOHC  
ERH = 4.0L Power Tech

TRANSMISSION  
DGG, DGD = 32RH 3 Spd. Auto.  
DDD = 5 Speed HD Manual  
DGO = Auto. Trans.  
DBB = Manual Trans.  
DDK = 5 Speed Manual

## Suspension, Front Spring with Control Arms and Track Bar Figure 002-110



ITEM	PART NUMBER	QTY	LINE	SERIES	BODY	ENGINE	TRANS	TRIM	DESCRIPTION
	5208 8432	1	J						
	5208 8430	1	U						
17	6506 264AA	1	J						NUT, Hex Flange Lock, M10x1.5 Track Bar To Axle, Mounting
	5208 7888	1	U						Track Bar To Axle, Mounting
18	5208 8431	1	J						BUSHING, Track Bar
		1	U						
19	6101 695	4							NUT, Hex Flange Lock, Shock Mounting, Mounting
20	6505 549AA	1							SCREW, Track Bar to Axle, Mounting
21									ARM, Control
	5208 7711	2							Without [XDC] with Bushings, Upper
	52059 623AA	2							With [XDC] with Bushings, Upper
22	1150 6007	2							NUT, Hex Flange, M10x1.5, UCA to Axle, Mounting
23	6503 085	2							BOLT, Hex Flange Head, M10x1. 50x78.20, UCA to Frame
24	6502 698	4							NUT, Hex Flange Lock, LCA to Frame or Axle, Mounting
25	6506 033AA	2							BOLT, Hex Flange Head, M14x2. 0x105, LCA to Frame, Mounting
26	5208 7852	2							BUSHING, Control Arm, to Frame, Upper
27	6503 648	2							NUT AND RETAINER, Hex Flange Lock, m8x1.25, UCA to Frame, Mounting
28	6504 238	2							BOLT AND WASHER, Hex Head, M14 x 2.00 x 111.6, LCA to Axle, Mounting
29	6504 236	2							WASHER, M14, LCA to Axle, Mounting
30	52088 654AB	2							ARM, Control Without [XDC] with Bushings
	52059 622AB	2							With [XDC] with Bushings
31	5208 8433	4							BUSHING, Control Arm, Lower
32	6505 154AA	2							BOLT, UCA to Axle

### JEEP WRANGLER (TJ)

SERIES  
H = Sport  
L = SE  
M = X  
P = Sahara  
S = Rubicon

LINE  
J = Wrangler 4WD  
U = Wrangler 4WD (RHD)

BODY  
77 = 93.4 WB

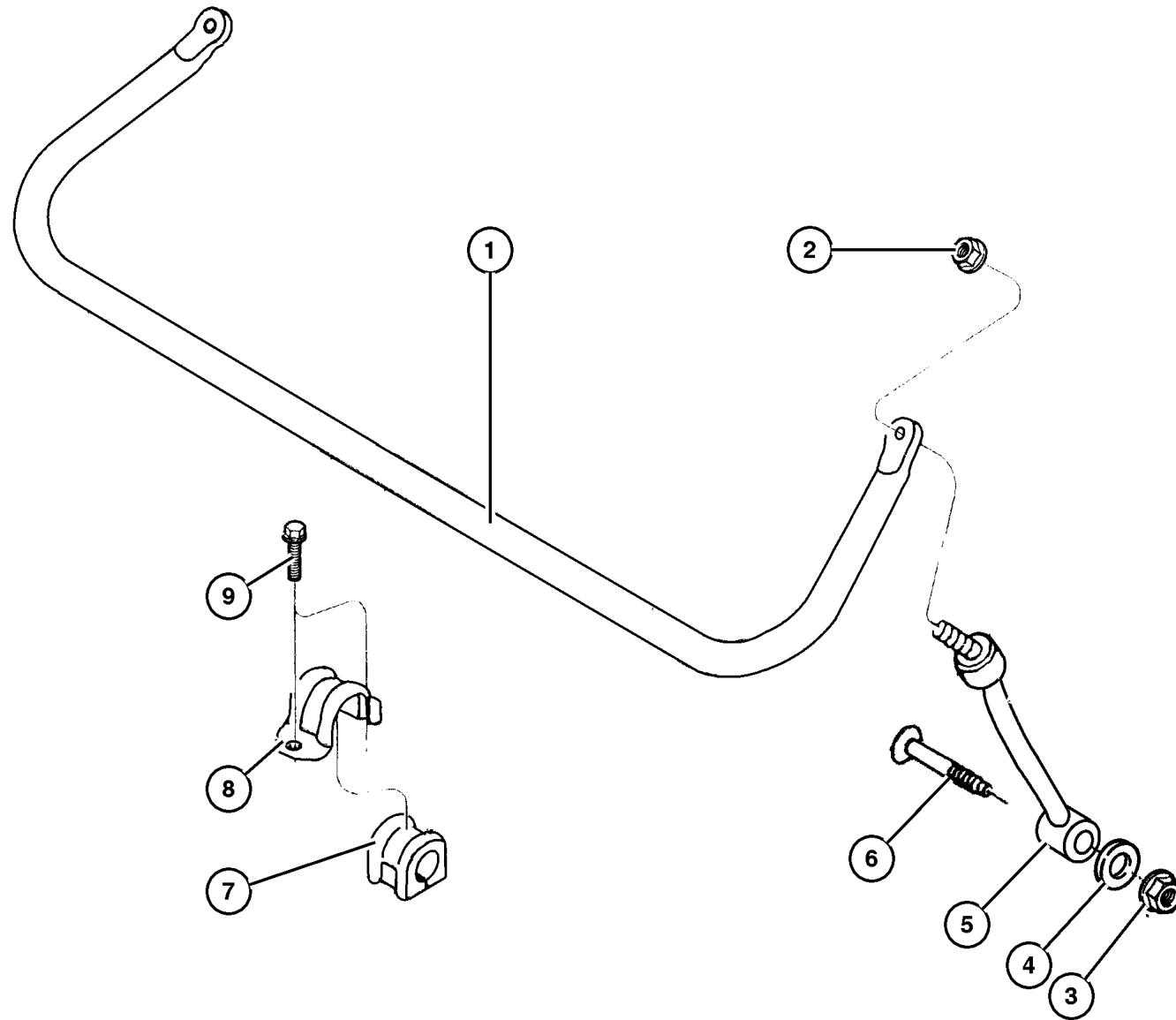
ENGINE  
ED1, ED0 = 2.4L DOHC  
ERH = 4.0L Power Tech

TRANSMISSION  
DGG, DGD = 32RH 3 Spd.  
Auto.  
DDD = 5 Speed HD Manual  
DGO = Auto. Trans.  
DBB = Manual Trans.  
DDK = 5 Speed Manual

AR = Use as required - = Non illustrated part # = New this model year

January 6, 2004

Bar, Front Sway  
Figure 002-120



ITEM	PART NUMBER	QTY	LINE	SERIES	BODY	ENGINE	TRANS	TRIM	DESCRIPTION
1	5208 7824	1							STABILIZER BAR, Front Suspension
2	6502 979	2							NUT AND WASHER, Hex, M10x1.5, Sway Bar to Link
3	6502 697	2							NUT, Hex Flange Lock, M12x1.75, Sway Bar Link To Axle
4									WASHER, ID 13.07 OD 40.00 THK 3.50 , (NOT SERVICED) (Not Serviced)
5	52087 771AB	2							LINK, Sway Eliminator, Sway Bar to Axle
6	6505 465AA	2							SCREW, Truss Head, M12x1.75x70, Sway Bar Link to Axle
7	52088 378AB	2							BUSHING, Sway Bar
8	5203 7710	2							RETAINER, Sway Bar
9	6102 037AA	4							SCREW AND WASHER, Hex Head, M10x1.50x35, Sway Bar Retainer

JEEP WRANGLER (TJ)

SERIES	LINE	BODY	ENGINE	TRANSMISSION
H = Sport	J = Wrangler 4WD	77 = 93.4 WB	ED1, ED0 = 2.4L DOHC	DGG, DGD = 32RH 3 Spd. Auto.
L = SE	U = Wrangler 4WD (RHD)		ERH = 4.0L Power Tech	DDD = 5 Speed HD Manual
M = X				DG0 = Auto. Trans.
P = Sahara				DBB = Manual Trans.
S = Rubicon				DDK = 5 Speed Manual

AR = Use as required - = Non illustrated part # = New this model year

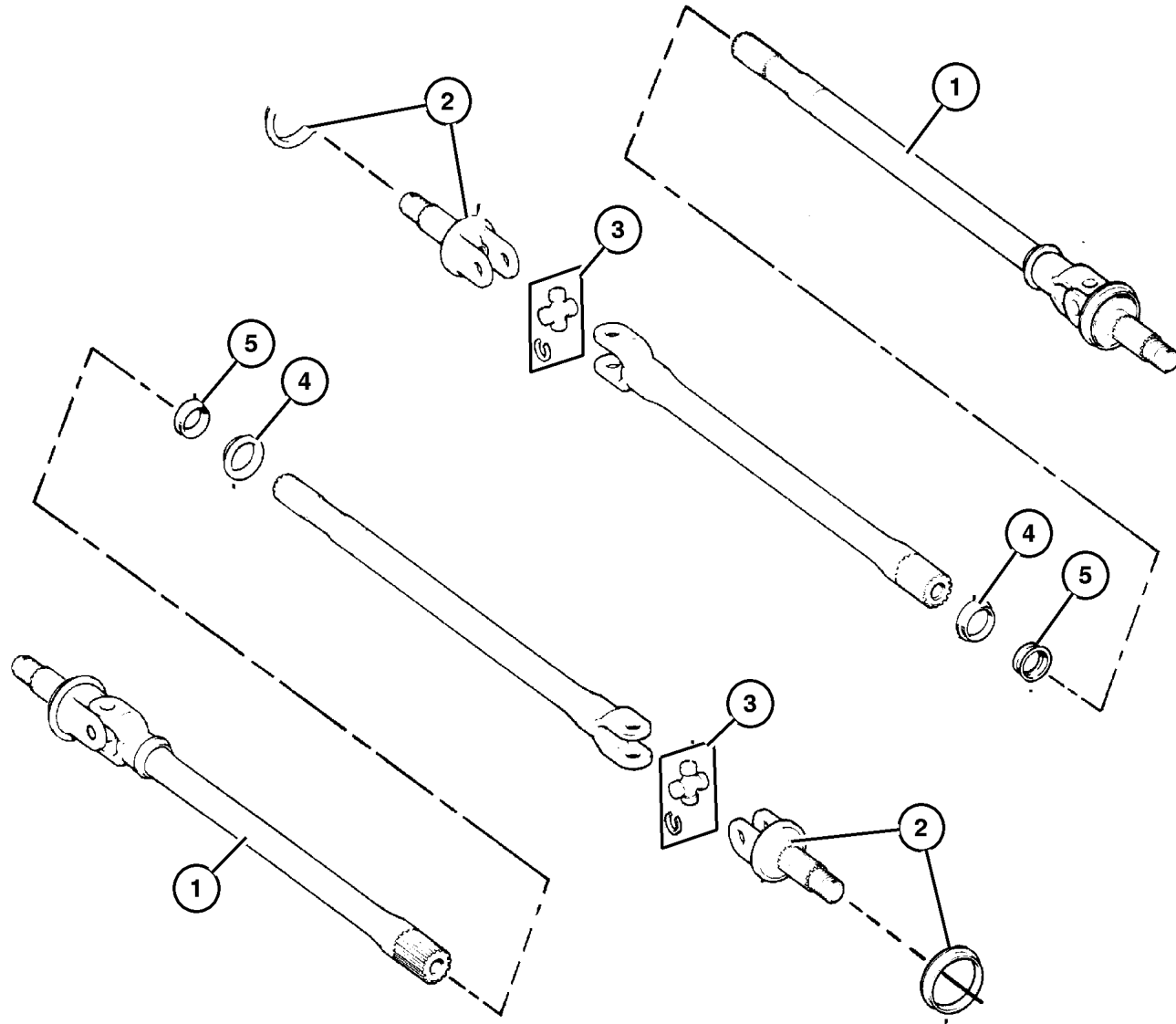
January 6, 2004

**Shafts, Front Axle  
Figure 002-210**

ITEM	PART NUMBER	QTY	LINE	SERIES	BODY	ENGINE	TRANS	TRIM	DESCRIPTION
------	-------------	-----	------	--------	------	--------	-------	------	-------------

Note: Sales Codes;  
 [BGA]=Brakes - Power Front Disc/Rear Drum  
 [BGK]=Brakes - 4-Wheel Anti-lock  
 [BRW]=Brakes - 4-Wheel Disc

1									SHAFT, Axle
	4874 302	1	J						[BGA], Right
	4874 303	1	J						[BGA], Left
	4874 306	1	J						[BGK], Right
	4874 307	1	J						[BGK], Left
	5083 666AA	1	J						[BRW], Right
	5083 667AA	1	J						[BRW], Left
	4874 302	1	U						Right
	4874 303	1	U						Left
2									SHAFT, Axle
	8350 0184	1	J						[BGA], Right or Left
	4728 984	1	J						[BGK], Right or Left
	8350 0184	1	U		77				Right or Left
3									U JOINT, Front Axle
	4137 757	1	J						[BGA], Right or Left
	5083 670AA	1	J						[BRW], Right or Left
	4137 757	1	U						Right or Left
4									SLINGER, Oil
	4882 135	2	J						[BGA], Right or Left
	5083 669AA	2	J						[BRW], Right or Left
	4882 135	2	U						Right or Left
5									SEAL, Axle Drive Shaft
	4874 477	2	J						[BGA], Right or Left
	5014 852AA	2	J						[BRW], Right or Left
	4874 477	2	U						Right or Left



**JEEP WRANGLER (TJ)**

SERIES	LINE	BODY	ENGINE	TRANSMISSION
H = Sport	J = Wrangler 4WD	77 = 93.4 WB	ED1, ED0 = 2.4L DOHC	DGG, DGD = 32RH 3 Spd. Auto.
L = SE	U = Wrangler 4WD (RHD)		ERH = 4.0L Power Tech	DDD = 5 Speed HD Manual
M = X				DG0 = Auto. Trans.
P = Sahara				DBB = Manual Trans.
S = Rubicon				DDK = 5 Speed Manual

AR = Use as required - = Non illustrated part # = New this model year

January 6, 2004

## Housing,Front Axle,4 Wheel Drive Figure 002-310

ITEM	PART NUMBER	QTY	LINE	SERIES	BODY	ENGINE	TRANS	TRIM	DESCRIPTION
Note: Sales Codes;									
[DSE]=Axle - Trulok Differential									
1	J417 5376	1							STRAP, Tie
2	J535 2955	1							VENT, Axle, Upper
3	J014 0780	1							CLIP, Wrap Around, Upper
4	HFV00 516AB	1							HOSE, Fuel And Vapor, 25 Foot Roll 5/16", Axle Vent
5	5083 664AA	1	J						HOSE, Axle Vent, For Pump Hose Connection
6	6503 573	1							CLIP, Axle Vent Hose, Lower
7	8350 4653	1	J						VENT, Axle Lower
	5017 482AA	1	J			77			[DSE], Lower
	5083 663AB	1	J			77			[DSE] With Nipple for Pump Hose Connection, Lower
8									PIN, Cotter, M4x40.00
	1101 0069	2	J						Upper Ball Joint, Mounting
		2	U						Upper Ball Joint, Mounting
9	3420 1535	6	J						BOLT Knuckle to Hub and Bearing, Mounting
		6	U						Knuckle to Hub and Bearing, Mounting
10									RING, Ball Joint
	8350 0203	2	J						
		2	U			77			
11									NUT, Steering Knuckle Socket Upper Ball Joint, Mounting
	J012 5258	2	J						Upper Ball Joint, Mounting
		2	U						Upper Ball Joint, Mounting
12									KNUCKLE, Front
	5206 7576	1	J						Right
	5206 7577	1	J			77			Left
	5206 7576	1	U						Right
	5206 7577	1	U			77			Left
13									NUT
	J812 3318	2	J						Lower Ball Joint, Mounting
		2	U						Lower Ball Joint, Mounting
14									PIN, Cotter, M4x40.00
	1101 0069	2	J						Lower Ball Joint, Mounting
		2	U			77			Lower Ball Joint, Mounting
15									BALL JOINT KIT, Knuckle

### JEEP WRANGLER (TJ)

SERIES  
H = Sport  
L = SE  
M = X  
P = Sahara  
S = Rubicon

LINE  
J = Wrangler 4WD  
U = Wrangler 4WD (RHD)

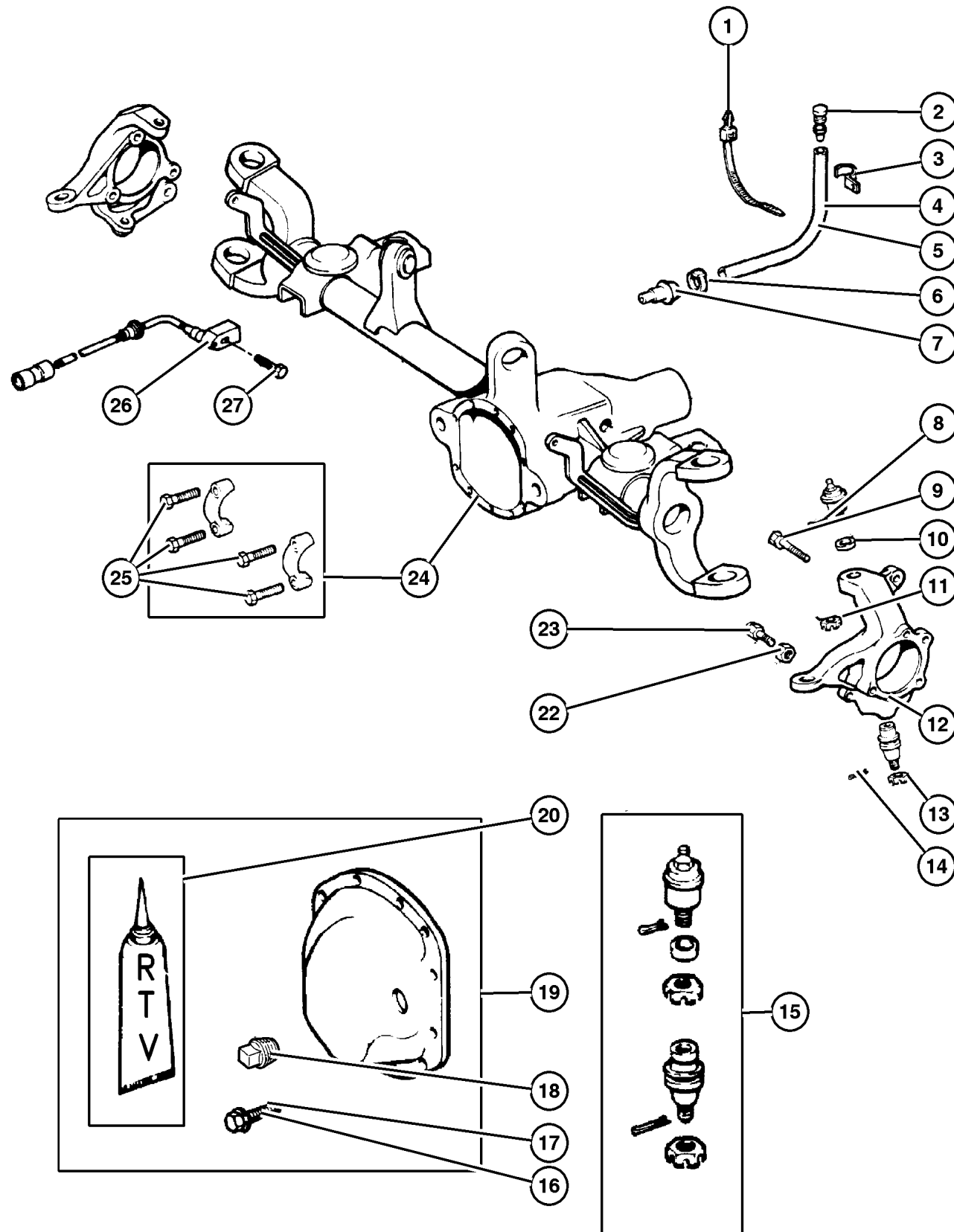
BODY  
77 = 93.4 WB

ENGINE  
ED1, ED0 = 2.4L DOHC  
ERH = 4.0L Power Tech

TRANSMISSION  
DGG, DGD = 32RH 3 Spd.  
Auto.  
DDD = 5 Speed HD Manual  
DGO = Auto. Trans.  
DBB = Manual Trans.  
DDK = 5 Speed Manual

AR = Use as required - = Non illustrated part # = New this model year

January 6, 2004



### Housing,Front Axle,4 Wheel Drive Figure 002-310

ITEM	PART NUMBER	QTY	LINE	SERIES	BODY	ENGINE	TRANS	TRIM	DESCRIPTION
	8350 0202	2	J						Right or Left
		2	U						Right or Left
16	J400 6708	10	J						SCREW, Pan Head, .312-18x.56
17									BOLT, Differential Cover
	2954 031	10	J						Differential Cover, Mounting
		10	U						Differential Cover, Mounting
18									PLUG, Differential Cover
	J400 4751	1	J						
		1	U		77				
	3640 792	1	J						With [DSE]
19									COVER, Differential
	4713 451	1	J						
		1	U		77				
	5083 661AA	1	J						With [DSE]
20									SEALANT, RTV
	5010 884AA	1	J						
		1	U						
-21									WASHER, Flat
	5083 358AA	4	J						Stop Bolt Spacer
		4	U		77				Stop Bolt Spacer
22									NUT, Steering Knuckle
	S011 4494	2	J						Stop Bolt, Mounting
		2	U						Stop Bolt, Mounting
23									BOLT, Steering Knuckle Stop
	1791 701	2	J						
		2	U		77				
24									HOUSING, Axle
	4864 840AB	1	J						
	4864 904AB	1	U						
	5083 660AB	1	J						With [DSE]
25									BOLT, Differential
	4897 482AB	4	J						
		4	U		77				
	5003 648AA	4	J						With [DSE]
26	5602 7727	2	J						SENSOR, Anti-Lock Brakes
27	8350 4920	1	J						BOLT
-28	5083 668AA	1	J						BRACKET, Wire Harness

**JEEP WRANGLER (TJ)**

SERIES

H = Sport

L = SE

M = X

P = Sahara

S = Rubicon

LINE

J = Wrangler 4WD

U = Wrangler 4WD (RHD)

BODY

77 = 93.4 WB

ENGINE

ED1, ED0 = 2.4L DOHC

ERH = 4.0L Power Tech

TRANSMISSION

DGG, DGD = 32RH 3 Spd.

Auto.

DDD = 5 Speed HD Manual

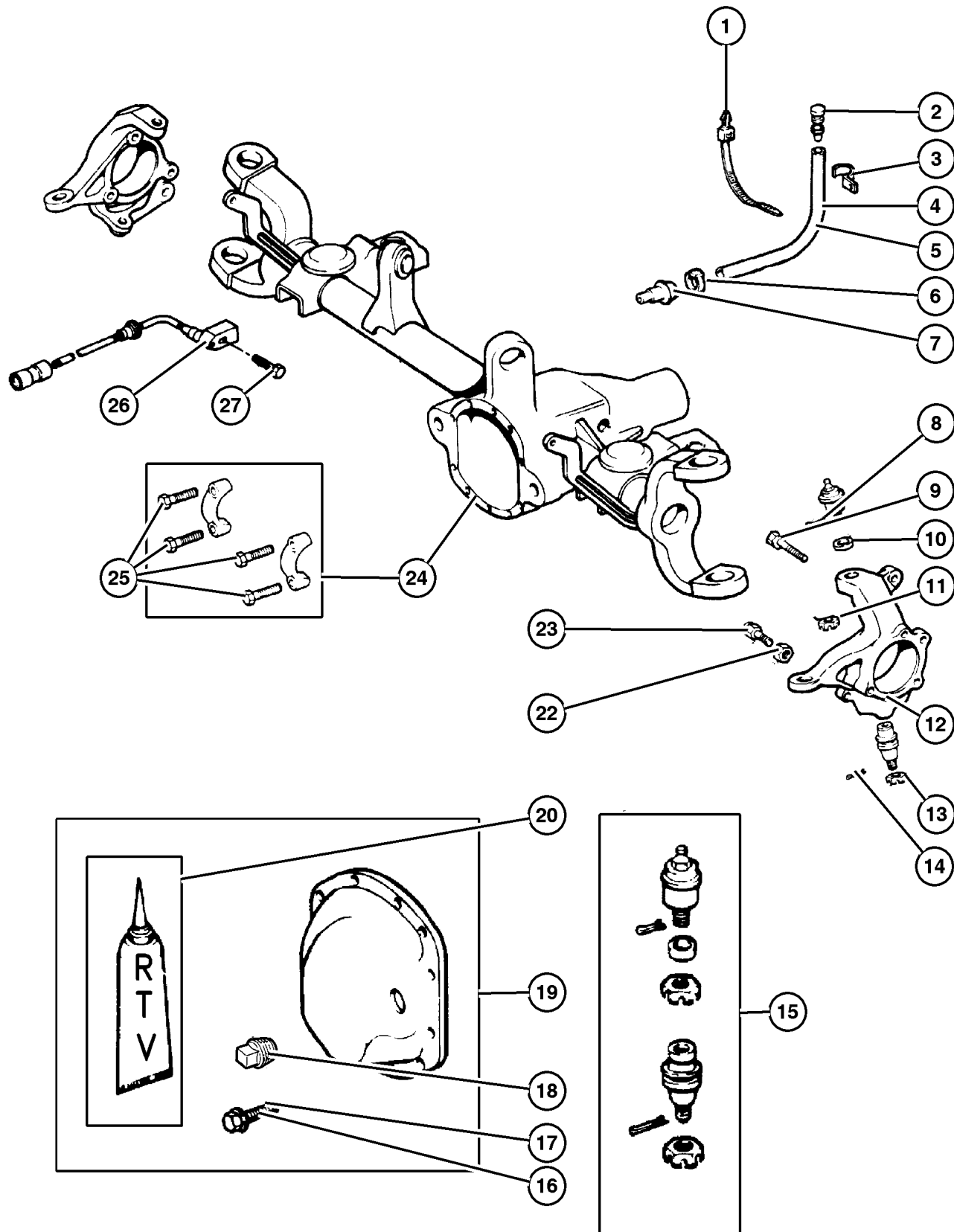
DG0 = Auto. Trans.

DBB = Manual Trans.

DDK = 5 Speed Manual

AR = Use as required - = Non illustrated part # = New this model year

January 6, 2004

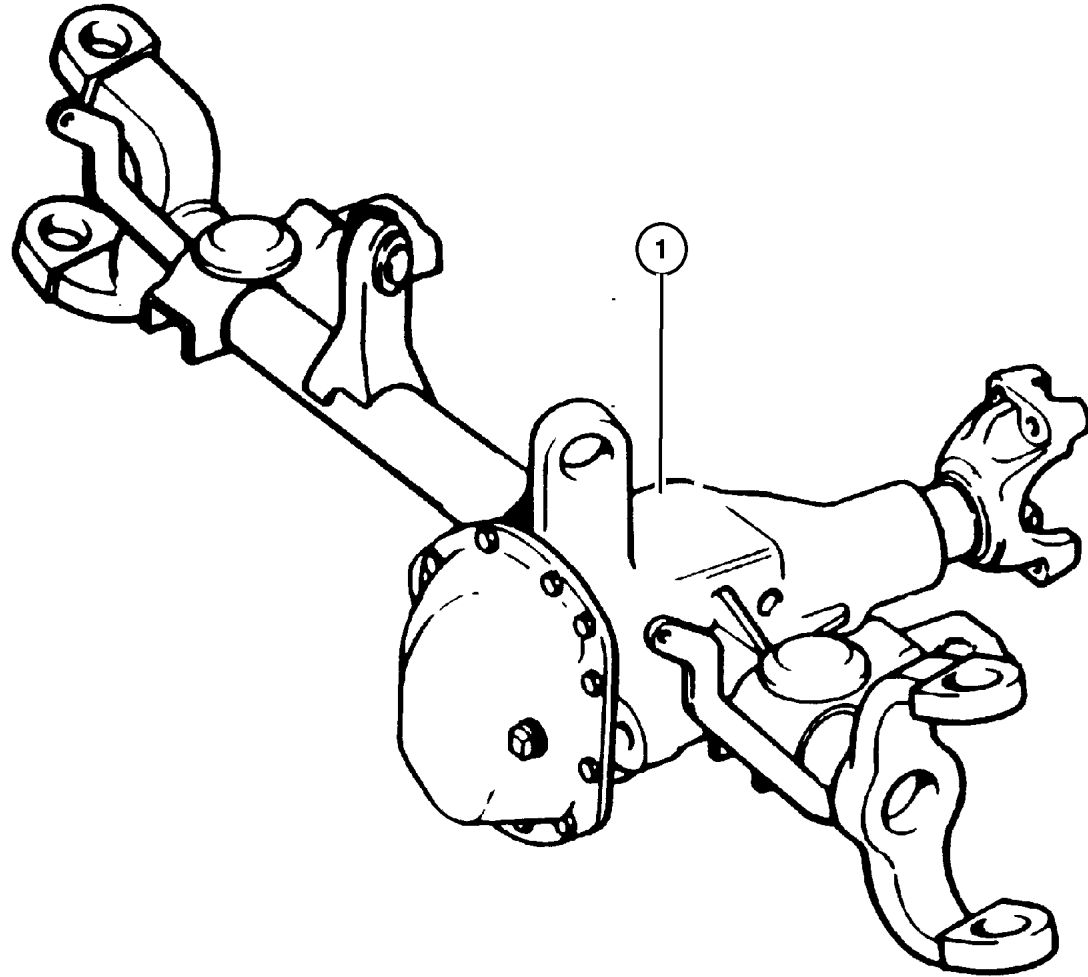




**Axle Assembly,Front,4 Wheel Drive  
Figure 002-410**

ITEM	PART NUMBER	QTY	LINE	SERIES	BODY	ENGINE	TRANS	TRIM	DESCRIPTION
------	-------------	-----	------	--------	------	--------	-------	------	-------------

Note: Sales Codes;  
 [BRW]=Brakes - 4 Wheel Disc  
 [DJC]=Axle,Front,Heavy Duty Dana M44/216MM  
 [DME]=Axle Ratio - 3.73  
 [DMF]=Axle Ratio - 4.10  
 [DMM]=Axle Ratio - 3.07  
 [DMU]=Axle Ratio - 4.56  
 [DSE]=Axle - Trulok Differential



1									AXLE, Service Front
	4864 841AC	1	J						[DME] With Tag 52099200AE, 52111033AF
	4864 910AB	1	J						[DMF] With Tag 52099226AE
	5083 662AC	1	J		77				[DMF,BRW,DSE,DJC] With Tag 52104434AD
	4864 852AB	1	J						[DMM] With Tag 52099198AE, 52099227AF
	5086 618AA	1	J						[DMU] With Tag 52104675AB
	4882 337AB	1	U						[DME] With Tag 52099450AF
	4882 155AB	1	U						[DMM] With Tag 52099454AF

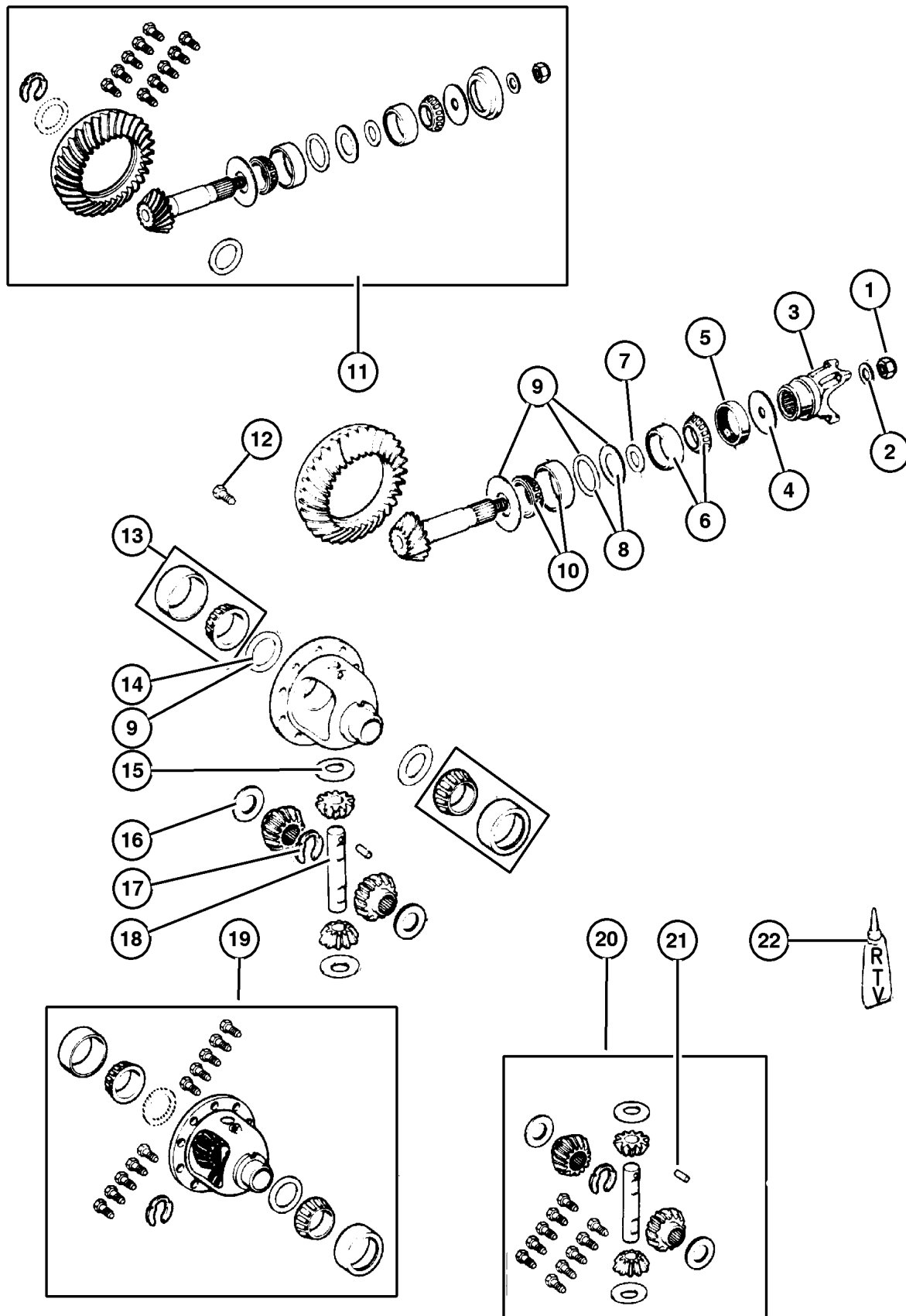
**JEEP WRANGLER (TJ)**

SERIES	LINE	BODY	ENGINE	TRANSMISSION
H = Sport	J = Wrangler 4WD	77 = 93.4 WB	ED1, ED0 = 2.4L DOHC	DGG, DGD = 32RH 3 Spd. Auto.
L = SE	U = Wrangler 4WD (RHD)		ERH = 4.0L Power Tech	DDD = 5 Speed HD Manual
M = X				DG0 = Auto. Trans.
P = Sahara				DBB = Manual Trans.
S = Rubicon				DDK = 5 Speed Manual

AR = Use as required - = Non illustrated part # = New this model year

January 6, 2004

**Differential,Front Axle,Without [DSE]  
Figure 002-610**



ITEM	PART NUMBER	QTY	LINE	SERIES	BODY	ENGINE	TRANS	TRIM	DESCRIPTION
Note: Sales Codes;									
[DME]=Axle Ratio - 3.73									
[DMF]=Axle Ratio - 4.10									
[DMM]=Axle Ratio - 3.07									
[DMU]=Axle Ratio - 4.56									
[DSE]=Axle - Trulok Differential									
1									NUT, Pinion Yoke
	1791 575	1	J						[DME,DMF,DMU]
	5017 755AA	1	J						[DMM]
	1791 575	1	U		77				[DME]
	5017 755AA	1	U		77				[DMM]
2									WASHER, Pinion Yoke
	1791 576	1	J						[DME,DMF,DMU]
		1	U		77				[DME]
3									YOKE, Axle
	8350 3388	1	J						
		1	U						
4									SLINGER, Drive Pinion
	4031 974	1	J						
		1	U		77				
5									SEAL, Drive Pinion
	5072 473AA	1	J						
		1	U						
6									BEARING, Drive Pinion
	5252 508	1	J						Bearing and Cup, Front
		1	U		77				Bearing and Cup, Front
7									SPACER
	4864 845AB	1	J						Crush
		1	U						Crush
8									SHIM, Drive Pinion Bearing
	5017 139AA	1	J						[.052"]
	5017 143AA	1	U						[.056"]
	5017 144AA	1	J						[.057"]
		1	U						[.057"]
	5017 145AA	1	J						[.058"]
		1	U						[.058"]
	5017 146AA	1	J						[.059"]
		1	U						[.059"]
	5017 149AA	1	J						[.060"]
		1	U						[.060"]
	5017 150AA	1	J						[.061"]

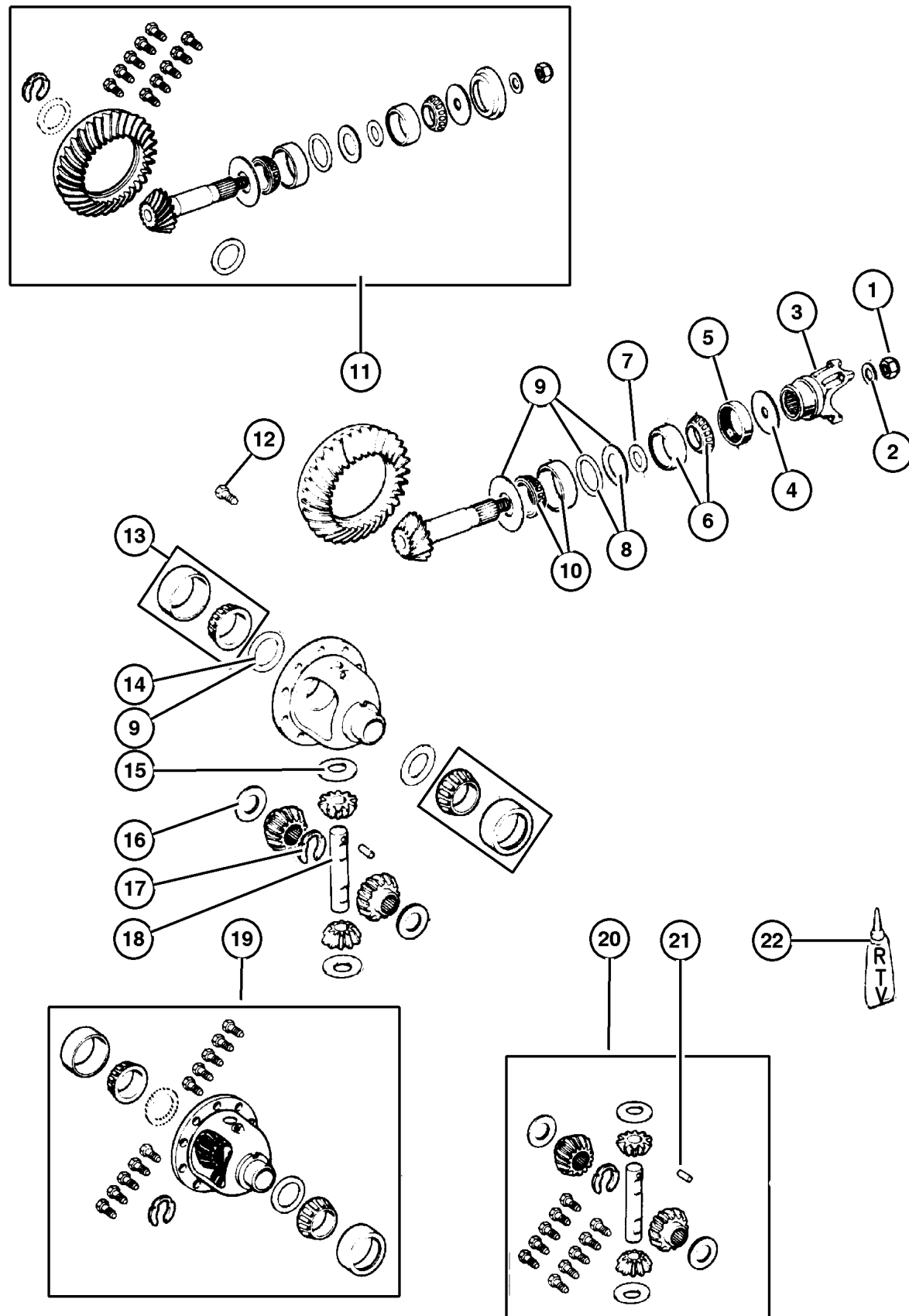
**JEEP WRANGLER (TJ)**

SERIES	LINE	BODY	ENGINE	TRANSMISSION
H = Sport	J = Wrangler 4WD	77 = 93.4 WB	ED1, ED0 = 2.4L DOHC	DGG, DGD = 32RH 3 Spd.
L = SE	U = Wrangler 4WD (RHD)		ERH = 4.0L Power Tech	Auto.
M = X				DDD = 5 Speed HD Manual
P = Sahara				DG0 = Auto. Trans.
S = Rubicon				DBB = Manual Trans.
				DDK = 5 Speed Manual

AR = Use as required - = Non illustrated part # = New this model year

January 6, 2004

Differential,Front Axle,Without [DSE]  
Figure 002-610



ITEM	PART NUMBER	QTY	LINE	SERIES	BODY	ENGINE	TRANS	TRIM	DESCRIPTION
	5017 139AA	1	U						[.052"]
	5017 150AA	1	U						[.061"]
	5017 151AA	1	J						[.062"]
		1	U						[.062"]
	5017 152AA	1	J						[.063"]
		1	U						[.063"]
	5017 153AA	1	J						[.064"]
		1	U						[.064"]
	5017 154AA	1	J						[.065"]
		1	U						[.065"]
	5017 155AA	1	J						[.066"]
	5017 140AA	1	J						[.053"]
	5017 155AA	1	U						[.066"]
	5017 156AA	1	J						[.067"]
		1	U						[.067"]
	5017 140AA	1	U						[.053"]
	5017 141AA	1	J						[.054"]
		1	U						[.054"]
	5017 142AA	1	J						[.055"]
		1	U						[.055"]
	5017 143AA	1	J						[.056"]
9									SHIM KIT, Differential
	5017 134AA	1	J						Contains Items 8,14
		1	U						Contains Items 8,14
10									BEARING, Drive Pinion
	J812 6499	1	J						Bearing and Cup, Rear
		1	U						Bearing and Cup, Rear
11									GEAR KIT, Ring And Pinion
	5072 997AB	1	J						[DMM]
	5073 246AA	1	J						[DME]
	5073 247AA	1	J						[DMF]
	5086 617AA	1	J						[DMU]
	5072 997AB	1	U						[DMM]
	5073 246AA	1	U						[DME]
12									SCREW, Drive Gear
	5252 503	10	J						
		10	U						
13									BEARING, Differential
	J812 6500	1	J						Consist of 2 Bearings and 2 Cups
		1	U				77		Consist of 2 Bearings and 2 Cups
14									SHIM, Differential Bearing

JEEP WRANGLER (TJ)

SERIES  
H = Sport  
L = SE  
M = X  
P = Sahara  
S = Rubicon

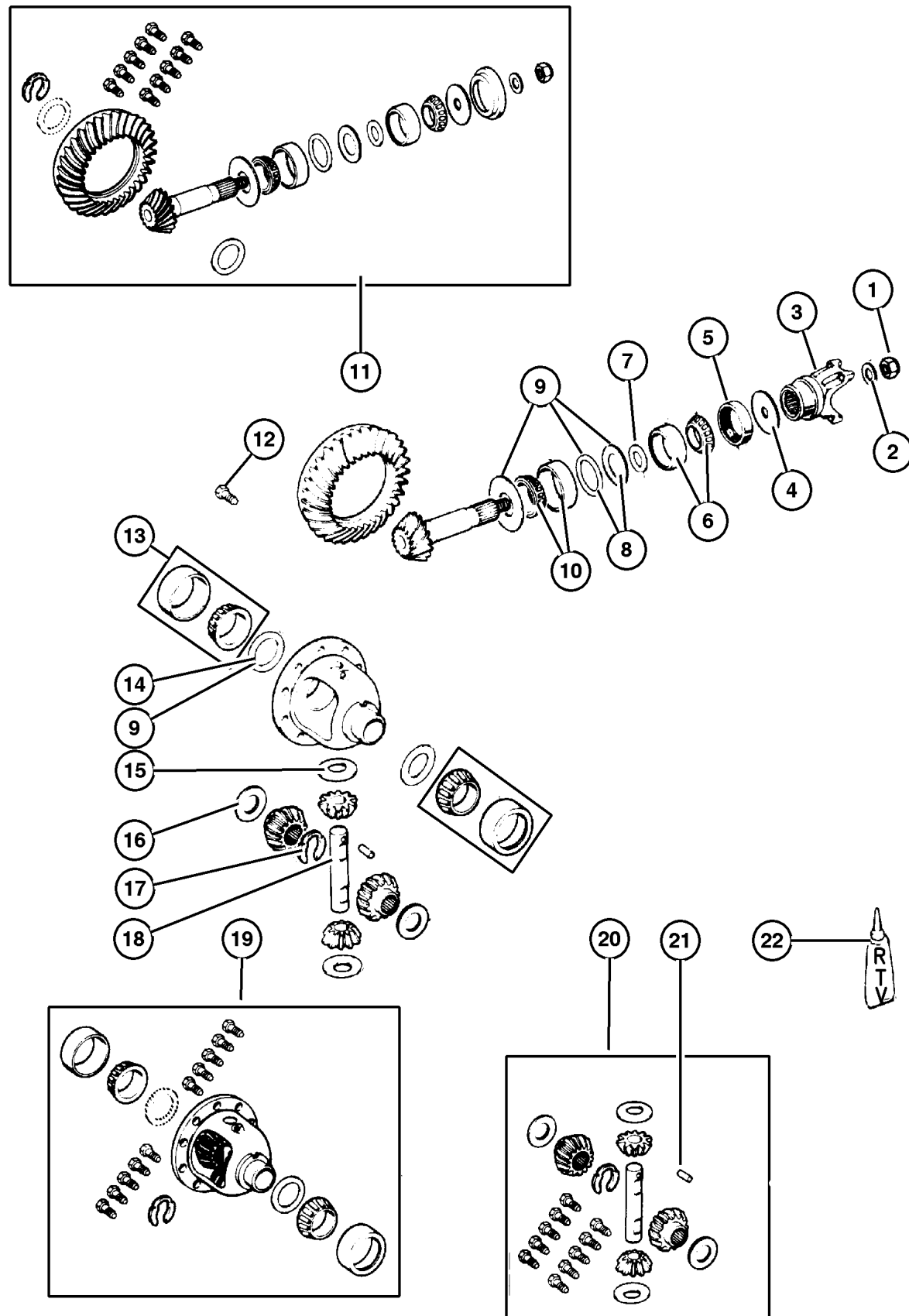
LINE  
J = Wrangler 4WD  
U = Wrangler 4WD (RHD)

BODY  
77 = 93.4 WB

ENGINE  
ED1, ED0 = 2.4L DOHC  
ERH = 4.0L Power Tech

TRANSMISSION  
DGG, DGD = 32RH 3 Spd.  
Auto.  
DDD = 5 Speed HD Manual  
DGO = Auto. Trans.  
DBB = Manual Trans.  
DDK = 5 Speed Manual

Differential, Front Axle, Without [DSE]  
Figure 002-610



ITEM	PART NUMBER	QTY	LINE	SERIES	BODY	ENGINE	TRANS	TRIM	DESCRIPTION
	5017 218AA	1	J						[.109"]
	5017 222AA	1	U						[.113"]
	5017 223AA	1	J						[.114"]
		1	U						[.114"]
	5017 224AA	1	J						[.115"]
		1	U						[.115"]
	5017 225AA	1	J						[.116"]
		1	U						[.116"]
	5017 226AA	1	J						[.117"]
		1	U						[.117"]
	5017 227AA	1	J						[.118"]
	5017 218AA	1	U						[.109"]
	5017 227AA	1	U						[.118"]
	5017 228AA	1	J						[.119"]
	5017 229AA	1	U						[.120"]
		1	J						[.120"]
	5017 228AA	1	U						[.119"]
	5017 230AA	1	J						[.121"]
		1	U						[.121"]
	5017 231AA	1	J						[.122"]
		1	U						[.122"]
	5017 232AA	1	J						[.123"]
	5017 219AA	1	J						[.110"]
	5017 232AA	1	U						[.123"]
	5017 233AA	1	J						[.124"]
		1	U						[.124"]
	5017 234AA	1	J						[.125"]
		1	U						[.125"]
	5017 235AA	1	J						[.126"]
		1	U						[.126"]
	5017 236AA	1	J						[.127"]
		1	U						[.127"]
	5017 237AA	1	J						[.128"]
	5017 219AA	1	U						[.110"]
	5017 237AA	1	U						[.128"]
	5017 238AA	1	J						[.129"]
		1	U						[.129"]
	5017 239AA	1	J						[.130"]
		1	U						[.130"]
	5017 240AA	1	J						[.131"]
		1	U						[.131"]

JEEP WRANGLER (TJ)

SERIES  
H = Sport  
L = SE  
M = X  
P = Sahara  
S = Rubicon

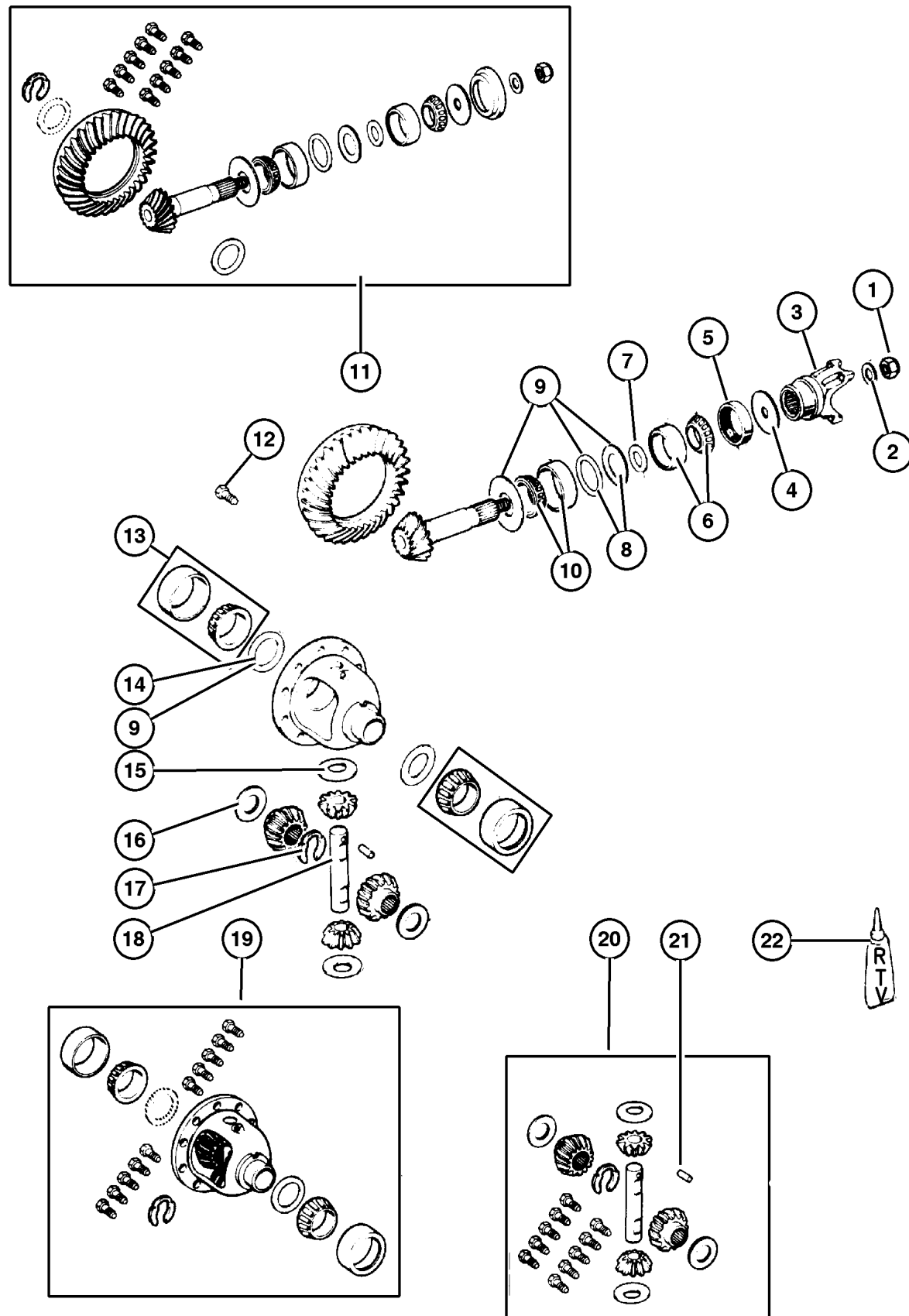
LINE  
J = Wrangler 4WD  
U = Wrangler 4WD (RHD)

BODY  
77 = 93.4 WB

ENGINE  
ED1, ED0 = 2.4L DOHC  
ERH = 4.0L Power Tech

TRANSMISSION  
DGG, DGD = 32RH 3 Spd. Auto.  
DDD = 5 Speed HD Manual  
DGO = Auto. Trans.  
DBB = Manual Trans.  
DDK = 5 Speed Manual

Differential, Front Axle, Without [DSE]  
Figure 002-610



ITEM	PART NUMBER	QTY	LINE	SERIES	BODY	ENGINE	TRANS	TRIM	DESCRIPTION
	5017 241AA	1	J						[.132"]
		1	U						[.132"]
	5017 242AA	1	J						[.133"]
	5017 220AA	1	J						[.111"]
	5017 242AA	1	U						[.133"]
	5017 243AA	1	J						[.134"]
		1	U						[.134"]
	5017 244AA	1	J						[.135"]
		1	U						[.135"]
	5017 245AA	1	J						[.136"]
		1	U						[.136"]
	5017 246AA	1	J						[.137"]
		1	U						[.137"]
	5017 247AA	1	J						[.138"]
	5017 220AA	1	U						[.111"]
	5017 247AA	1	U						[.138"]
	5017 248AA	1	J						[.139"]
		1	U						[.139"]
	5017 249AA	1	J						[.140"]
		1	U						[.140"]
	5017 250AA	1	J						[.141"]
		1	U						[.141"]
	5017 251AA	1	J						[.142"]
		1	U						[.142"]
	5017 252AA	1	J						[.143"]
	5017 221AA	1	J						[.112"]
	5017 252AA	1	U						[.143"]
	5017 253AA	1	J						[.144"]
		1	U						[.144"]
	5017 254AA	1	J						[.145"]
		1	U						[.145"]
	5017 255AA	1	J						[.146"]
		1	U						[.146"]
	5017 256AA	1	J						[.147"]
		1	U						[.147"]
	5017 257AA	1	J						[.148"]
	5017 221AA	1	U						[.112"]
	5017 257AA	1	U						[.148"]
	5017 222AA	1	J						[.113"]
15									WASHER, Pinion Gear Thrust
	J812 0831	1	J						

JEEP WRANGLER (TJ)

SERIES  
H = Sport  
L = SE  
M = X  
P = Sahara  
S = Rubicon

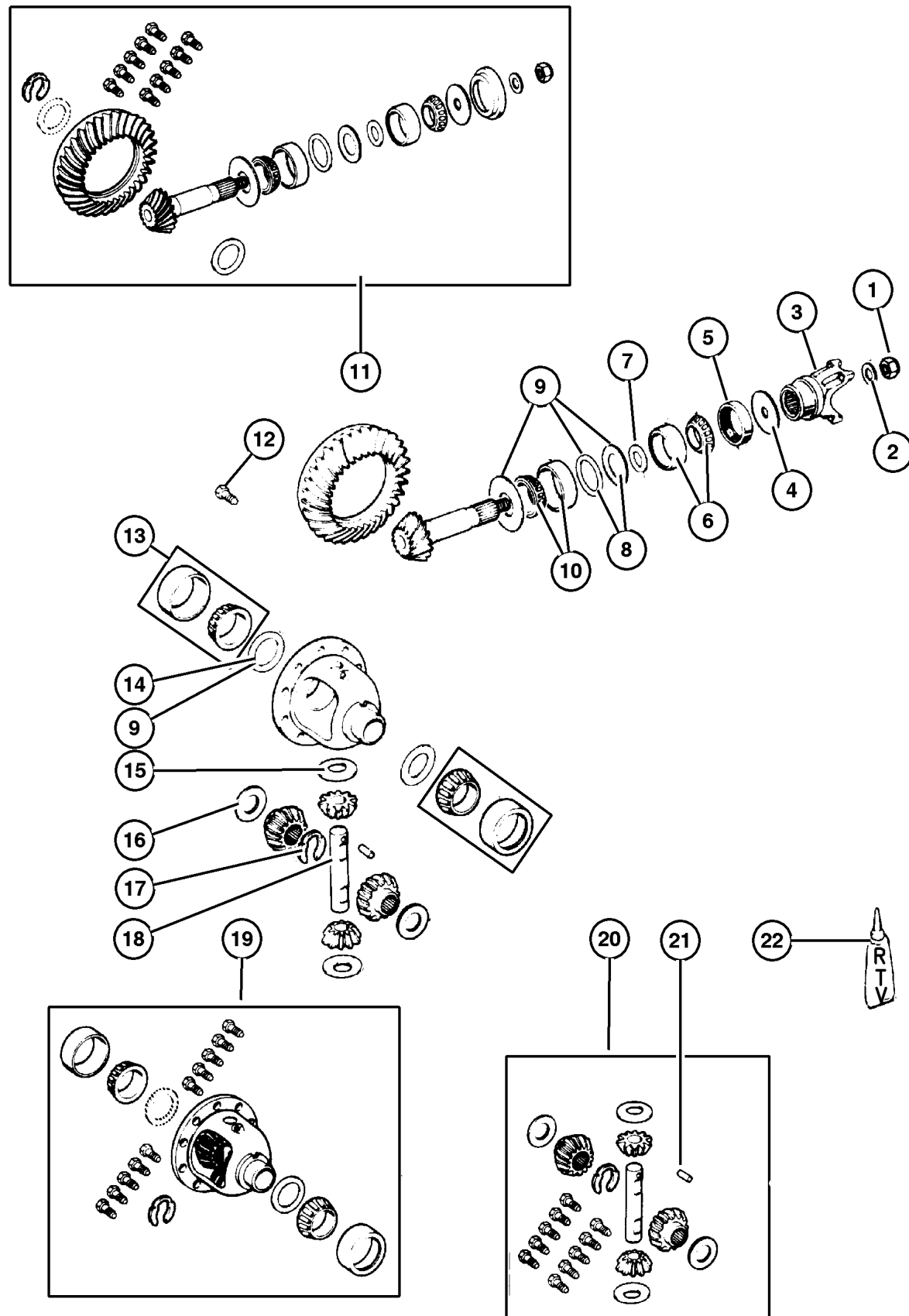
LINE  
J = Wrangler 4WD  
U = Wrangler 4WD (RHD)

BODY  
77 = 93.4 WB

ENGINE  
ED1, ED0 = 2.4L DOHC  
ERH = 4.0L Power Tech

TRANSMISSION  
DGG, DGD = 32RH 3 Spd. Auto.  
DDD = 5 Speed HD Manual  
DGO = Auto. Trans.  
DBB = Manual Trans.  
DDK = 5 Speed Manual

Differential, Front Axle, Without [DSE]  
Figure 002-610



ITEM	PART NUMBER	QTY	LINE	SERIES	BODY	ENGINE	TRANS	TRIM	DESCRIPTION
		1	U		77				Thrust
16	J813 3724	2	J						WASHER, Side Gear Thrust
		2	U						Thrust
17	4137 739	2	J						SNAP RING, Front Axle Shaft
		2	U						
18	5003 840AA	1	J						SHAFT, Differential
		1	U						
19	5252 582	1	J						CASE, Differential [DMM]
	5252 590	1	J						[DME,DMF,DMU]
	5252 582	1	U						[DMM]
	5252 590	1	U						[DME]
20	5252 591	1	J						GEAR KIT, Center Differential
		1	U						
21	1791 563	1	J						PIN, Differential Shaft
		1	U				77		
22	5010 884AA	1	J						SEALANT, RTV
		1	U				77		

JEEP WRANGLER (TJ)

SERIES  
H = Sport  
L = SE  
M = X  
P = Sahara  
S = Rubicon

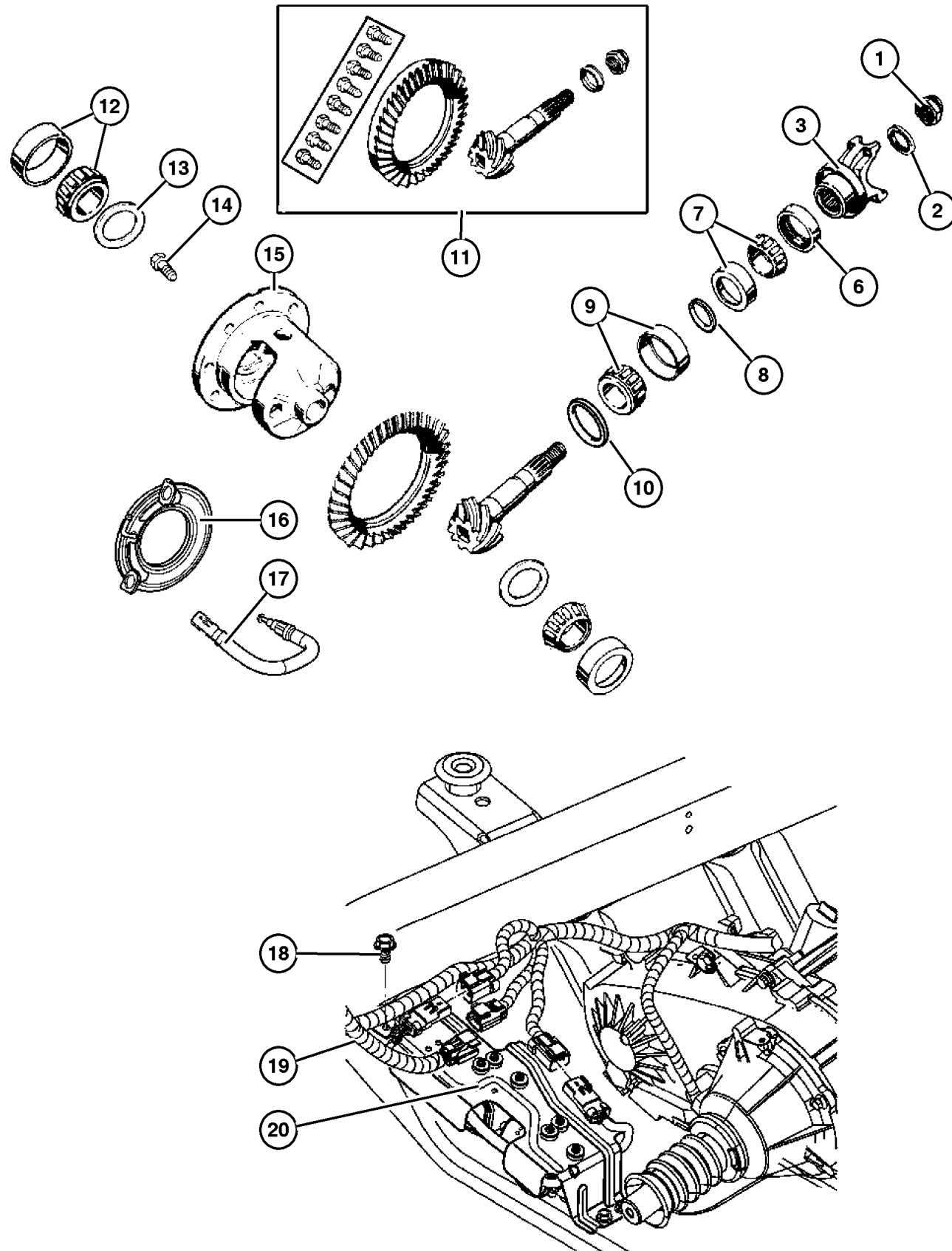
LINE  
J = Wrangler 4WD  
U = Wrangler 4WD (RHD)

BODY  
77 = 93.4 WB

ENGINE  
ED1, ED0 = 2.4L DOHC  
ERH = 4.0L Power Tech

TRANSMISSION  
DGG, DGD = 32RH 3 Spd. Auto.  
DDD = 5 Speed HD Manual  
DGO = Auto. Trans.  
DBB = Manual Trans.  
DDK = 5 Speed Manual

**Differential,Front Axle,With [DSE]  
Figure 002-620**



ITEM	PART NUMBER	QTY	LINE	SERIES	BODY	ENGINE	TRANS	TRIM	DESCRIPTION
Note:Sales Codes;									
[DMF]=Axle Ratio - 4.11									
[DSE]=Axle - Trulok Differential									
1	5017 755AA	1	J						NUT, Pinion Yoke
2									WASHER, Pinion Yoke, (NOT REQUIRED)
3	4797 689	1	J						YOKE, Axle
-4	5012 453AA	1	J						O RING, Pinion Flange, Fits on Hub of Axle Yoke
-5	4031 974	1	J						SLINGER, Drive Pinion
6	5066 446AA	1	J						SEAL, Drive Pinion
7	J812 4052	1	J						BEARING, Drive Pinion, Bearing and Cup, Front
8	5014 907AA	1	J		77				SHIM KIT, Pinion Shaft, Preload
9	5014 847AA	1	J						BEARING, Drive Pinion, Bearing and Cup, Rear
10									SHIM, Drive Pinion Bearing
	5017 139AA	1	J		77				[.052"] Positioning
	5017 150AA	1	J		77				[.061"] Positioning
	5017 151AA	1	J		77				[.062"] Positioning
	5017 152AA	1	J		77				[.063"] Positioning
	5017 153AA	1	J		77				[.064"] Positioning
	5017 154AA	1	J		77				[.065"] Positioning
	5017 155AA	1	J		77				[.066"] Positioning
	5017 156AA	1	J		77				[.067"] Positioning
	5017 140AA	1	J		77				[.053"] Positioning
	5017 141AA	1	J		77				[.054"] Positioning
	5017 142AA	1	J		77				[.055"] Positioning
	5017 143AA	1	J		77				[.056"] Positioning
	5017 144AA	1	J		77				[.057"] Positioning
	5017 145AA	1	J		77				[.058"] Positioning
	5017 146AA	1	J		77				[.059"] Positioning
	5017 149AA	1	J		77				[.060"] Positioning
11	5093 044AA	1	J						GEAR KIT, Ring And Pinion, [DMF]
12	4746 733	1	J						BEARING, Differential Case, Consists of 2 Bearings and 2 Cups
13	5093 047AA	1	J						SHIM KIT, Differential
14	5252 503	10	J						SCREW, Drive Gear, Mounting
15	52104 571AA	1	J						CASE, Differential, With Internal Parts
16	52104 611AA	1	J						ACTUATOR, Axle Locker

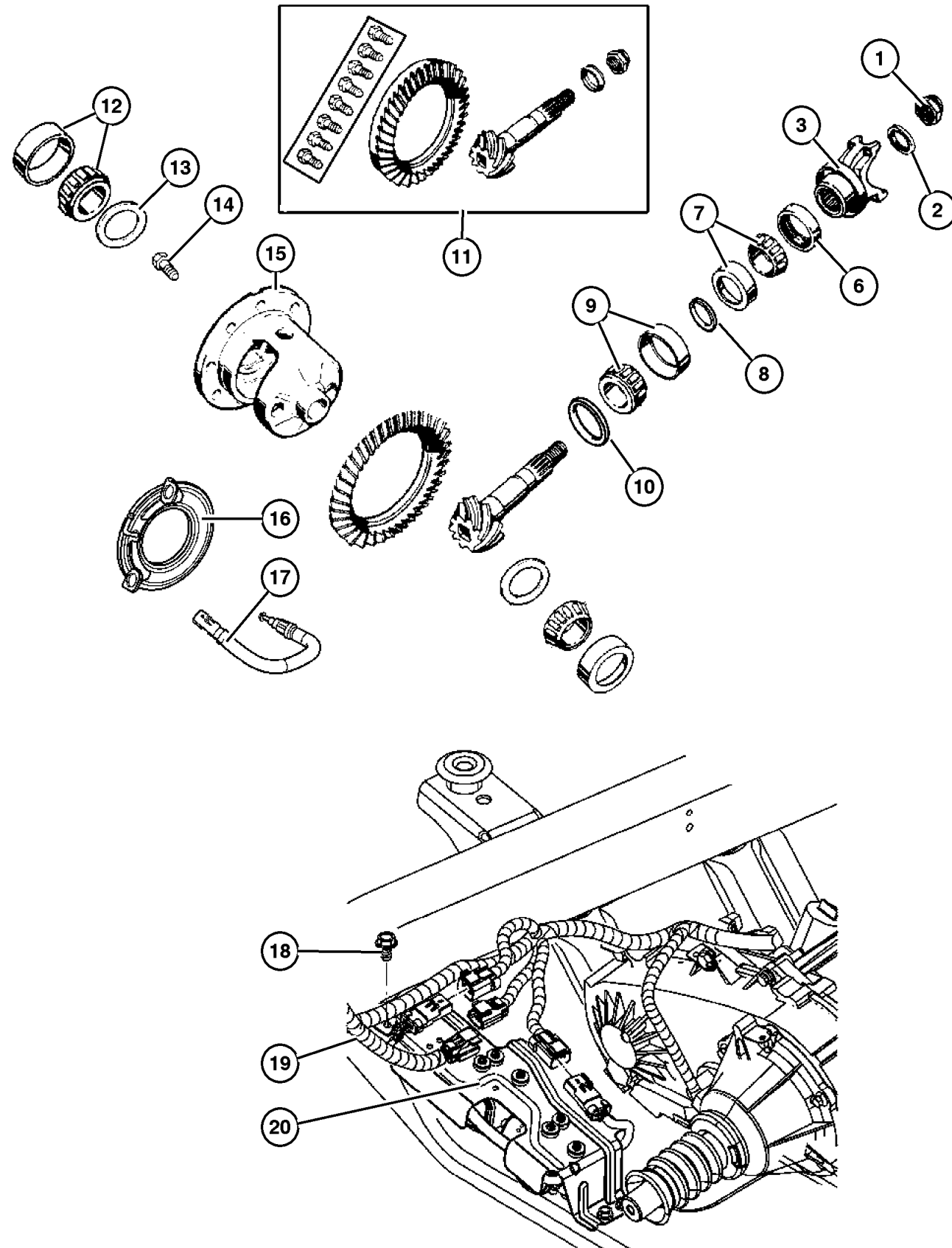
**JEEP WRANGLER (TJ)**

<b>SERIES</b>	<b>LINE</b>	<b>BODY</b>	<b>ENGINE</b>	<b>TRANSMISSION</b>
H = Sport	J = Wrangler 4WD	77 = 93.4 WB	ED1, ED0 = 2.4L DOHC	DGG, DGD = 32RH 3 Spd. Auto.
L = SE	U = Wrangler 4WD (RHD)		ERH = 4.0L Power Tech	DDD = 5 Speed HD Manual
M = X				DG0 = Auto. Trans.
P = Sahara				DBB = Manual Trans.
S = Rubicon				DDK = 5 Speed Manual

AR = Use as required - = Non illustrated part # = New this model year

January 6, 2004

Differential,Front Axle,With [DSE]  
Figure 002-620



ITEM	PART NUMBER	QTY	LINE	SERIES	BODY	ENGINE	TRANS	TRIM	DESCRIPTION
17	52104 610AA	1	J						SENSOR, Axle Locker
18	6505 914AA	4	J						BOLT, Axle Locker Pump, Mounting
19	52104 603AB	1	J						HARNESS, Electronic Front Axle
20	#52104 604AB	1	J						PUMP MODULE, Axle Locker, Contains Front and Rear Axle Pumps
-21	#5127 836AA	2	J						PUMP, Axle Locker, Pump only, Front or Rear
-22	J323 2982	1	J						TEE, Vacuum
-23	HFV00 014AB	1	J						HOSE 1FT, Fuel & Vapor, 1/4"

JEEP WRANGLER (TJ)

SERIES	LINE	BODY	ENGINE	TRANSMISSION
H = Sport	J = Wrangler 4WD	77 = 93.4 WB	ED1, ED0 = 2.4L DOHC	DGG, DGD = 32RH 3 Spd. Auto.
L = SE	U = Wrangler 4WD (RHD)		ERH = 4.0L Power Tech	DDD = 5 Speed HD Manual
M = X				DG0 = Auto. Trans.
P = Sahara				DBB = Manual Trans.
S = Rubicon				DDK = 5 Speed Manual

AR = Use as required - = Non illustrated part # = New this model year

January 6, 2004



# Group – 003

## Rear Axle

### GROUP 3 - Rear Axle

Illustration Title

Group-Fig. No.

#### Rear Axle

Axle Assembly, Rear ..... Fig. 003-110

#### Differential and Housing

Housing,Rear Axle,Dana M35/194MM [DRJ] ..... Fig. 003-210

Housing,Rear Axle,Dana 44/226MM [DRK] ..... Fig. 003-220

Differential,With and Without Trac-Lok [DSA] Dana M35/194MM [DRJ] ..... Fig. 003-230

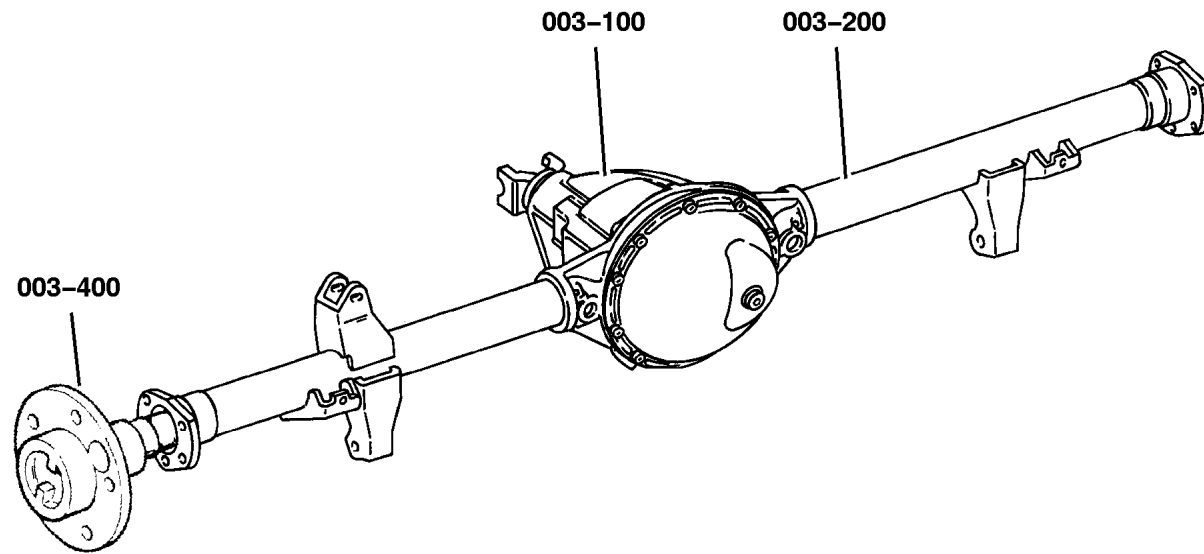
Differential,With and Without Trac-Lok [DSA] Dana 44/226MM [DRK] ..... Fig. 003-240

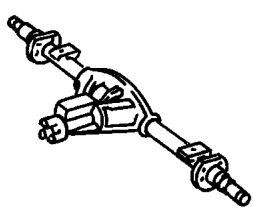
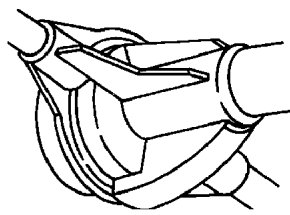
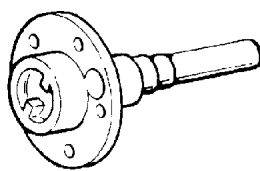
Differential,With Trulok Differential [DSE] Dana 44/226MM [DRK] ..... Fig. 003-250

#### Rear Axle Shafts

Shaft,Rear Axle,Dana 35/194MM [DRJ] ..... Fig. 003-410

Shaft,Rear Axle,Dana 44/226MM [DRK] ..... Fig. 003-420



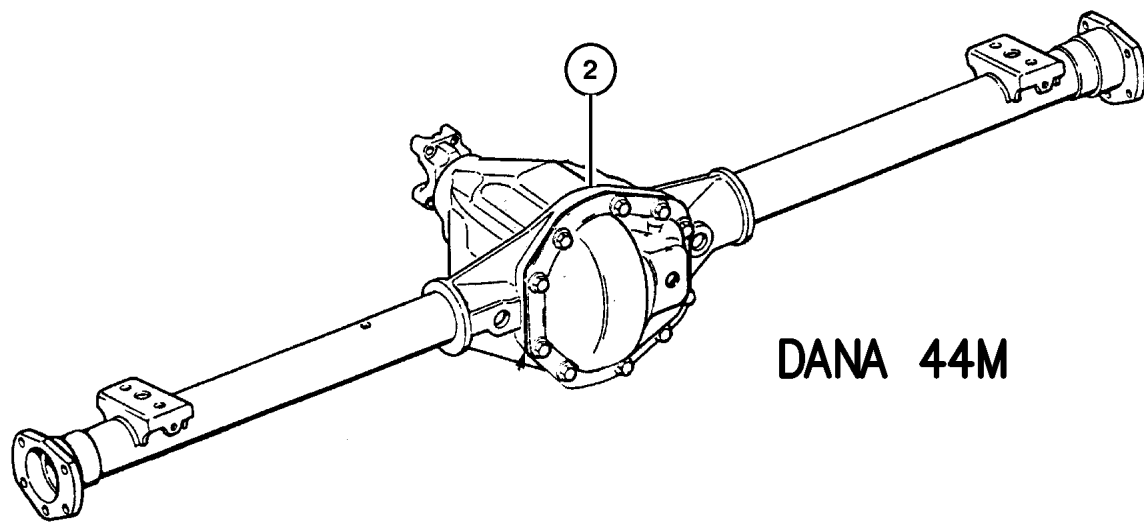
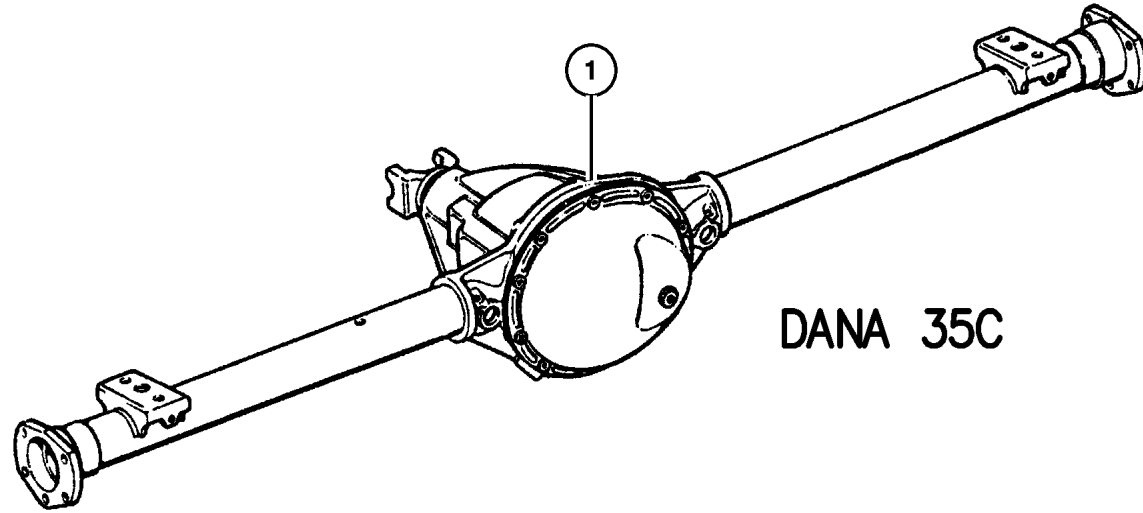
<p><b>003-100</b> Rear Axle</p> 	<p><b>003-200</b> Differential and Housing</p> 	<p><b>003-400</b> Rear Axle Shafts</p> 	
---	--	---	--

**Axle Assembly, Rear**  
**Figure 003-110**

ITEM	PART NUMBER	QTY	LINE	SERIES	BODY	ENGINE	TRANS	TRIM	DESCRIPTION
------	-------------	-----	------	--------	------	--------	-------	------	-------------

Note:Sales Codes;  
 [BGA]=Brakes - Power Front Disc/Rear Drum  
 [BGK]=Brakes - 4-Wheel Anti-Lock  
 [BRW]=Brakes - 4-Wheel Disc  
 [DME]=Axle Ratio - 3.73  
 [DMF]=Axle Ratio - 4.11  
 [DMM]=Axle Ratio - 3.07  
 [DMU]=Axle Ratio - 4.56  
 [DRJ]=Axle - Rear,Dana M35/194MM  
 [DRK]=Axle - Rear,Dana 44/226MM  
 [DSA]=Axle - Trac-Lok Differential  
 [DSE]=Axle - Trulok Differential

1									AXLE, Service Rear
	5086 642AA	1	J		77				[DME,BGA] Tag 52111763AF
	5086 623AB	1	J		77				[DMU,BGA] Tag 52104676AC
	5086 637AA	1	J		77				[DME,BGA,DSA] Tag 52111929AF
	5086 642AA	1	J		77				[DME,BGK] Tag 52104706AA
	5086 637AA	1	J		77				[DME,BGK,DSA] Tag 52111030AF
	5086 646AA	1	J		77				[DMF,BGA] Tag 52111762AF
	5103 013AA	1	J		77				[DMF,BGA,DSA] Tag 52111766AF
	5086 649AA	1	J		77				[DMM,BGA] Tag 52111760AF
	5086 648AA	1	J		77				[DMM,BGA,DSA] Tag 52111764AF
	5086 649AA	1	J		77				[DMM,BGK] Tag 52111758AG
2									AXLE, Service Rear
	5086 636AC	1	J		77				[DME,BGA] Tag 52104454AG
	5083 680AD	1	J		77				[DME,BRW,DSA] Tag 52114045AC
	#5127 192AA	1	J		78				[DME,BRW,DSA] Tag 52114210AA
	5083 674AB	1	J		77				[DMF,BRW,DSE]Tag 52104435AF
	5086 630AC	1	U		77				[DMM,BGA,DSA] Tag 52111750AI
	5086 634AC	1	U		77				[DME,BGA,DSA] Tag 51111750AI



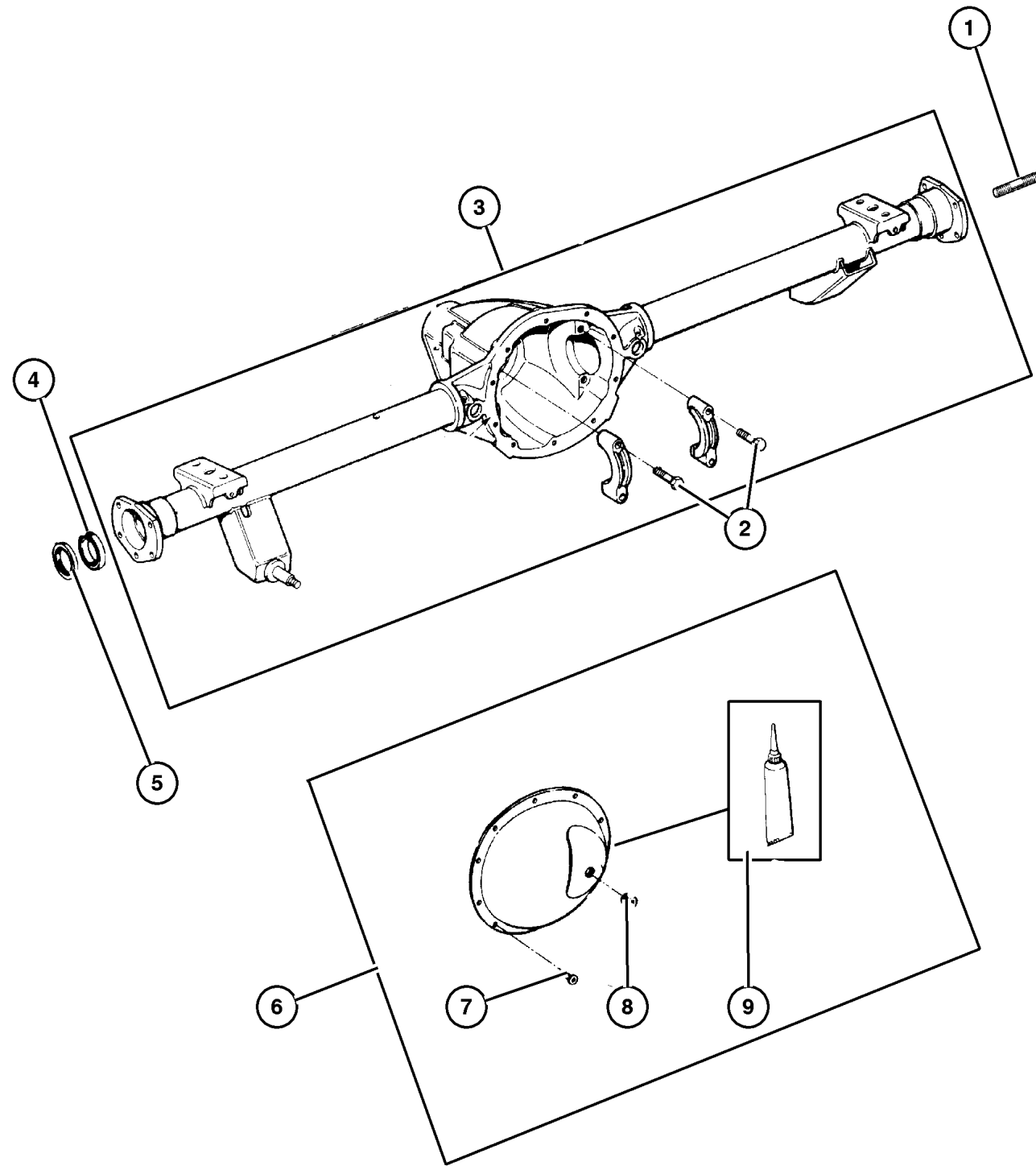
**JEEP WRANGLER (TJ)**

SERIES	LINE	BODY	ENGINE	TRANSMISSION
H = Sport	J = Wrangler 4WD	77 = 93.4 WB	ED1, ED0 = 2.4L DOHC	DGG, DGD = 32RH 3 Spd. Auto.
L = SE	U = Wrangler 4WD (RHD)		ERH = 4.0L Power Tech	DDD = 5 Speed HD Manual
M = X				DG0 = Auto. Trans.
P = Sahara				DBB = Manual Trans.
S = Rubicon				DDK = 5 Speed Manual

AR = Use as required - = Non illustrated part # = New this model year

January 6, 2004

Housing,Rear Axle,Dana M35/194MM [DRJ]  
Figure 003-210



ITEM	PART NUMBER	QTY	LINE	SERIES	BODY	ENGINE	TRANS	TRIM	DESCRIPTION
Note:Sales Codes;									
[DRJ]=Axle - Rear,Dana M35/194MM									
1	4897 234AA	8	J		77				BOLT, Backing Plate to Axle Housing, Mounting
2	4897 482AB	4	J		77				BOLT, Differential, Carrier Cap, Mounting
3	5086 638AA	1	J		77				HOUSING, Axle
4	J8134 586AB	1	J		77				BEARING, Axle Shaft
5	4856 336	2	J		77				SEAL, Axle Drive Shaft
6	5012 811AA	1	J		77				COVER, Differential
7	J400 6708	10	J		77				SCREW, Pan Head, .312-18x.56, Differential Cover, Mounting
8	5252 504AB	1	J		77				PLUG, Differential Cover
9	5010 884AA	1	J		77				SEALANT, RTV

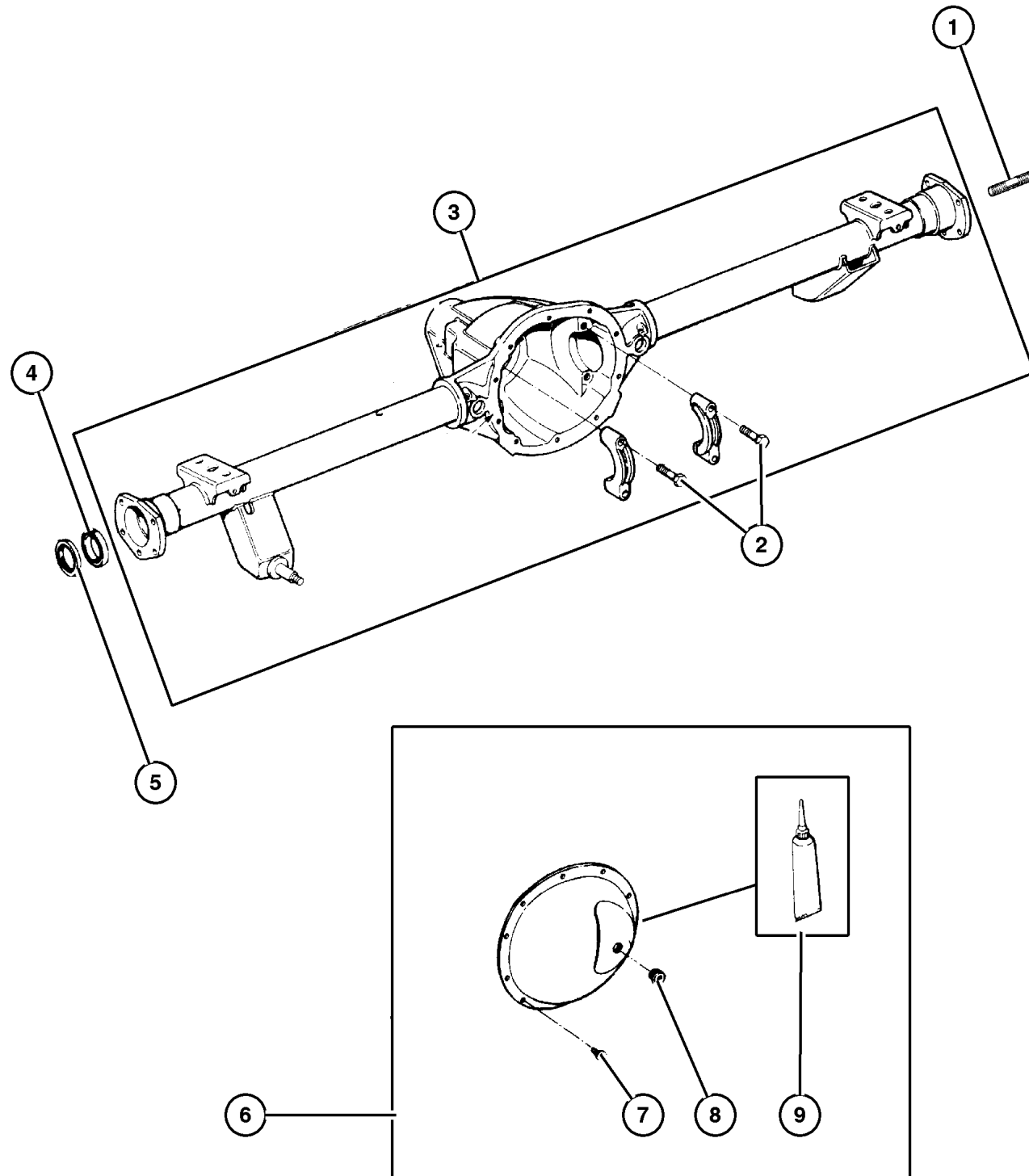
JEEP WRANGLER (TJ)

SERIES	LINE	BODY	ENGINE	TRANSMISSION
H = Sport	J = Wrangler 4WD	77 = 93.4 WB	ED1, ED0 = 2.4L DOHC	DGG, DGD = 32RH 3 Spd. Auto.
L = SE	U = Wrangler 4WD (RHD)		ERH = 4.0L Power Tech	DDD = 5 Speed HD Manual
M = X				DG0 = Auto. Trans.
P = Sahara				DBB = Manual Trans.
S = Rubicon				DDK = 5 Speed Manual

AR = Use as required - = Non illustrated part # = New this model year

January 6, 2004

Housing,Rear Axle,Dana 44/226MM [DRK]  
Figure 003-220



ITEM	PART NUMBER	QTY	LINE	SERIES	BODY	ENGINE	TRANS	TRIM	DESCRIPTION
Note:Sales Codes;									
[BGA]=Brakes - Power Front Disc/Rear Drum									
[BRW]=Brakes - 4-Wheel Disc									
[DME]=Axle Ratio - 3.73									
[DMF]=Axle Ratio - 4.11									
[DMM]=Axle Ratio - 3.07									
[DRK]=Axle - Rear,Dana 44/226MM									
[DSA]=Axle - Trac-Lok Differential									
[DSE]=Axle - Trulok Differential									
1									STUD
	5080 665AA	8	J		77				
	J099 4313	8	U		77				
	5080 665AA	8	J		78				
2									BOLT, Differential
	5003 648AA	4	J		77				
		4	U		77				
		4	J		78				
3									HOUSING, Axle
	5083 672AB	1	J		77				[DMF,BRW,DSE]
	5086 635AB	1	J		77				[DME,BGA]
	5086 629AC	1	U		77				
	5086 635AB	1	J		77				[DME,BRW,DSA]
	#5127 191AA	1	J		78				
4									BEARING, Axle Shaft
	8350 3064	1	J		77				
		1	U		77				
		1	J		78				
5									SEAL, Axle Drive Shaft
	8350 3063	1	J		77				
		1	U		77				
		1	J		78				
6									COVER, Differential
	5014 821AA	1	J		77				[BRW]
	8350 5549	1	J		77				[BGA]
		1	U		77				
		1	J		78				
7									SCREW, Pan Head, .312-18x.56
	J400 6708	10	J		77				
		10	U		77				
		10	J		78				
8									PLUG, Differential Cover

JEEP WRANGLER (TJ)

SERIES  
H = Sport  
L = SE  
M = X  
P = Sahara  
S = Rubicon

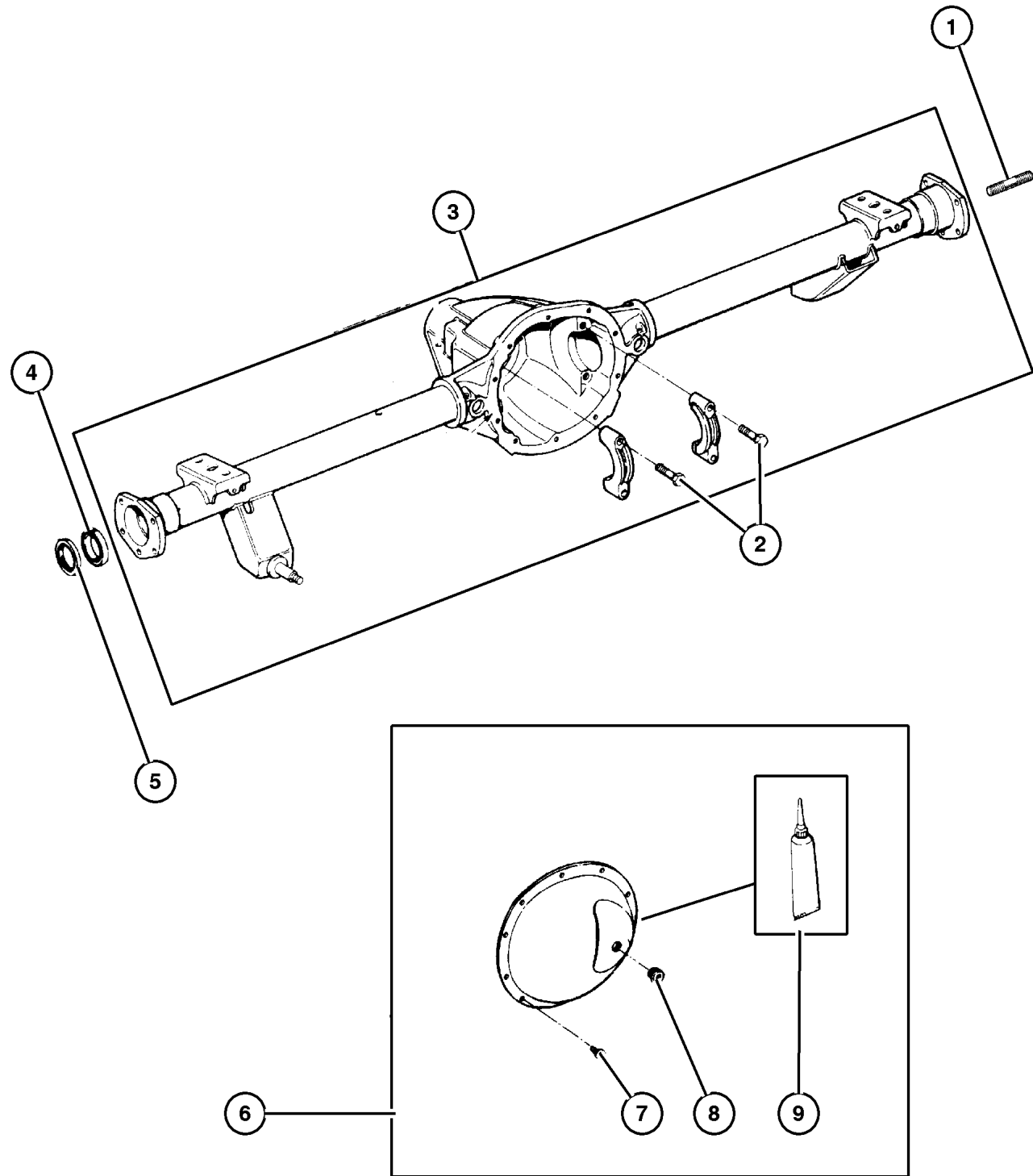
LINE  
J = Wrangler 4WD  
U = Wrangler 4WD (RHD)

BODY  
77 = 93.4 WB

ENGINE  
ED1, ED0 = 2.4L DOHC  
ERH = 4.0L Power Tech

TRANSMISSION  
DGG, DGD = 32RH 3 Spd.  
Auto.  
DDD = 5 Speed HD Manual  
DGO = Auto. Trans.  
DBB = Manual Trans.  
DDK = 5 Speed Manual

Housing,Rear Axle,Dana 44/226MM [DRK]  
Figure 003-220



ITEM	PART NUMBER	QTY	LINE	SERIES	BODY	ENGINE	TRANS	TRIM	DESCRIPTION
	J400 4751	1	J		77				[BRW]
	3640 792	1	J		77				[BGA]
		1	U		77				
		1	J		78				
9									SEALANT, RTV
	5010 884AA	1	J		77				
		1	U		77				
		1	J		78				

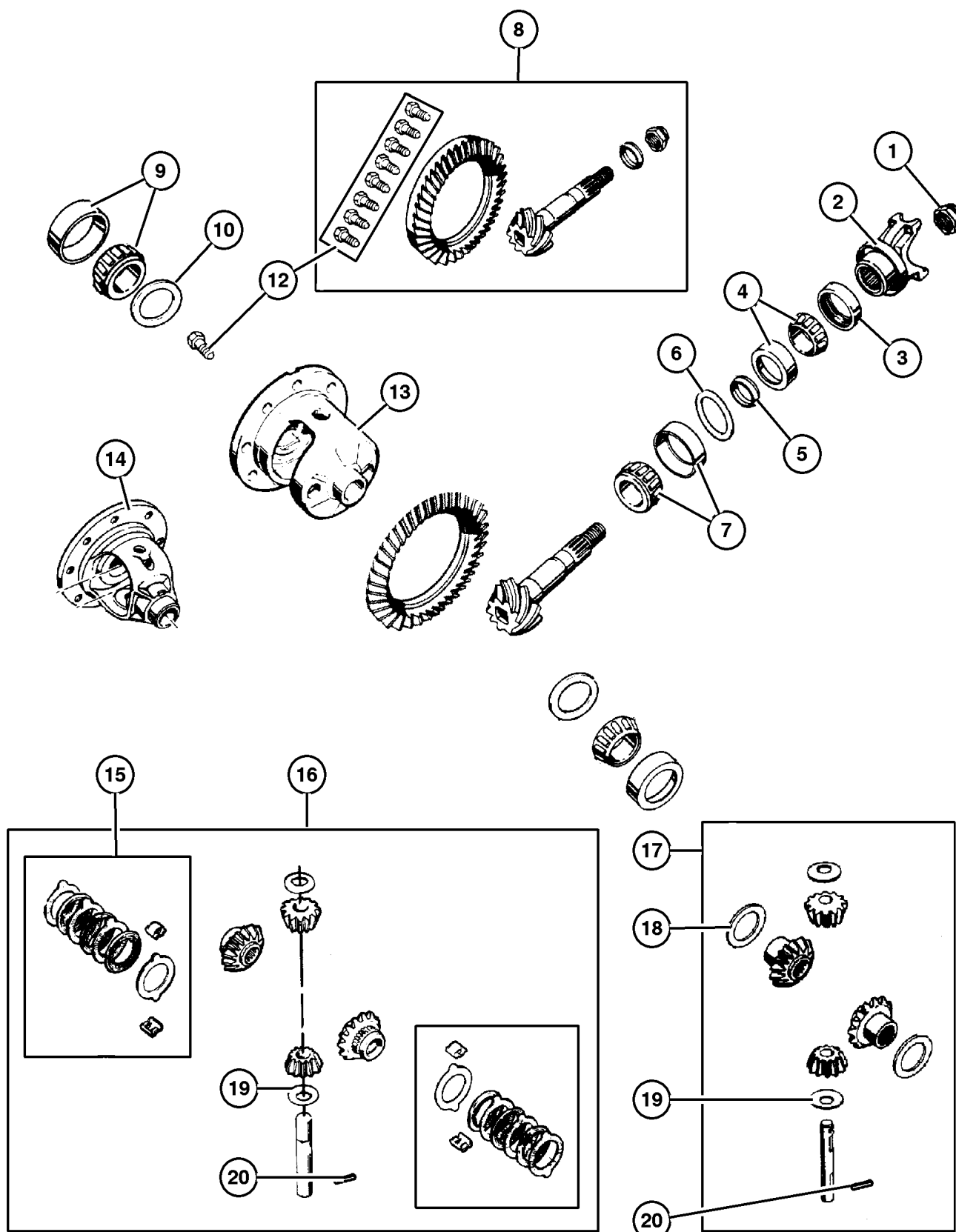
JEEP WRANGLER (TJ)

SERIES	LINE	BODY	ENGINE	TRANSMISSION
H = Sport	J = Wrangler 4WD	77 = 93.4 WB	ED1, ED0 = 2.4L DOHC	DGG, DGD = 32RH 3 Spd. Auto.
L = SE	U = Wrangler 4WD (RHD)		ERH = 4.0L Power Tech	DDD = 5 Speed HD Manual
M = X				DG0 = Auto. Trans.
P = Sahara				DBB = Manual Trans.
S = Rubicon				DDK = 5 Speed Manual

AR = Use as required - = Non illustrated part # = New this model year

January 6, 2004

**Differential, With and Without Trac-Lok [DSA] Dana M35/194MM [DRJ]  
Figure 003-230**



ITEM	PART NUMBER	QTY	LINE	SERIES	BODY	ENGINE	TRANS	TRIM	DESCRIPTION
Note: Sales Codes;									
[DME]=Axle Ratio - 3.73									
[DMF]=Axle Ratio - 4.11									
[DMM]=Axle Ratio - 3.07									
[DMU]=Axle Ratio - 4.56									
[DRJ]=Axle - Rear, Dana 35/194MM									
[DSA]=Axle - Anti-Spin Differential									
1	4720 895	1	J		77				NUT, Pinion Yoke
2	4897 025AA	1	J		77				YOKE, Axle
3	8350 4946	1	J		77				SEAL, Drive Pinion
4	5252 508	1	J		77				BEARING, Drive Pinion, Bearing and Cup, Front
5	J317 5779	1	J		77				SPACER, Drive Pinion Bearing, Crush
6	4720 922	1	J		77				SHIM KIT, Pinion Shaft
7	5252 507	1	J		77				BEARING, Drive Pinion, Bearing and Cup, Rear
8	5073 013AA	1	J		77				GEAR KIT, Ring And Pinion [DMM]
	5086 639AA	1	J		77				[DME]
	5073 266AB	1	J		77				[DMF]
	5086 619AA	1	J		77				[DMU]
9	J812 6500	1	J		77				BEARING, Differential, Consists of 2 Bearings and 2 Cups
10									SHIM, Differential Bearing
	5017 300AA	1	J		77				[.152"]
	5017 318AA	1	J		77				[.170"]
	5017 320AA	1	J		77				[.172"]
	5017 322AA	1	J		77				[.174"]
	5017 302AA	1	J		77				[.154"]
	5017 304AA	1	J		77				[.156"]
	5017 306AA	1	J		77				[.158"]
	5017 308AA	1	J		77				[.160"]
	5017 310AA	1	J		77				[.162"]
	5017 312AA	1	J		77				[.164"]
	5017 314AA	1	J		77				[.166"]
	5017 316AA	1	J		77				[.168"]
-11	8350 3004	1	J		77				SHIM KIT, Differential, Contains All Shims in Item 10
12	5012 810AC	1	J		77				BOLT KIT
13									CASE, Differential

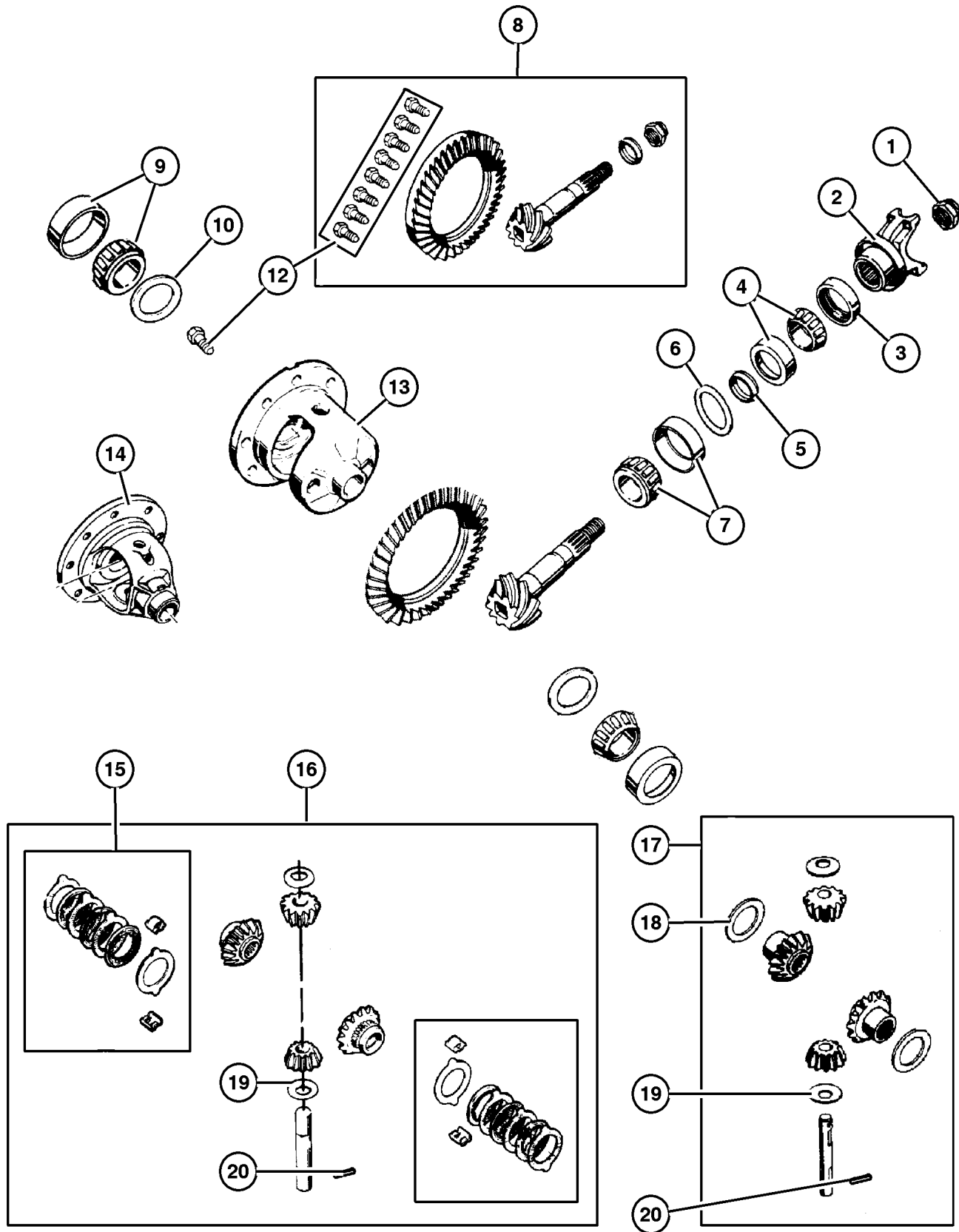
**JEEP WRANGLER (TJ)**

SERIES	LINE	BODY	ENGINE	TRANSMISSION
H = Sport	J = Wrangler 4WD	77 = 93.4 WB	ED1, ED0 = 2.4L DOHC	DGG, DGD = 32RH 3 Spd. Auto.
L = SE	U = Wrangler 4WD (RHD)		ERH = 4.0L Power Tech	DDD = 5 Speed HD Manual
M = X				DG0 = Auto. Trans.
P = Sahara				DBB = Manual Trans.
S = Rubicon				DDK = 5 Speed Manual

AR = Use as required - = Non illustrated part # = New this model year

January 6, 2004

Differential, With and Without Trac-Lok [DSA] Dana M35/194MM [DRJ]  
Figure 003-230



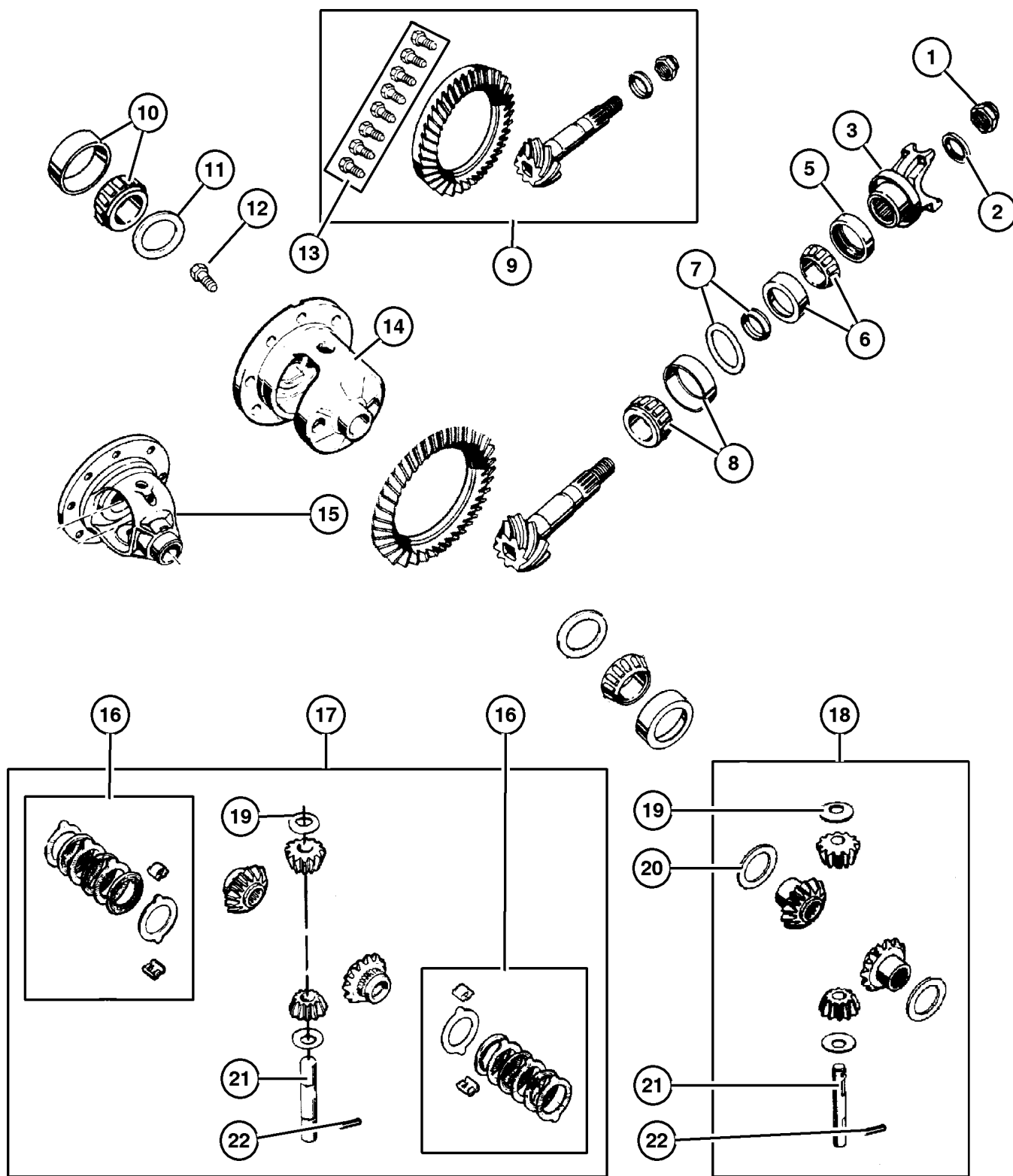
ITEM	PART NUMBER	QTY	LINE	SERIES	BODY	ENGINE	TRANS	TRIM	DESCRIPTION
	5012 831AB	1	J		77				[DME,DMF,DSA] With Internal Parts
	5073 014AA	1	J						[DMM,DSA] With Internal Parts
14	5072 976AA	1	J		77				CASE, Differential [DME,DMF,DMU] With Internal Parts
	5073 110AA	1	J		77				[DMM] With Internal Parts
15	5252 506	1	J		77				DISC AND PLATE KIT, Differential, With [DSA]
16	4773 010	1	J		77				GEAR KIT, Center Differential, With [DSA]
17	4740 670	1	J		77				GEAR KIT, Center Differential, Without [DSA]
18	J812 0832	2	J		77				WASHER, Side Gear, Without [DSA], Thrust
19	J812 0831	2	J		77				WASHER, Pinion Gear, Without [DSA], Thrust
20	5252 502	1	J		77				PIN, Differential Shaft, Without [DSA]

JEEP WRANGLER (TJ)  
 SERIES LINE BODY ENGINE TRANSMISSION  
 H = Sport J = Wrangler 4WD 77 = 93.4 WB ED1, ED0 = 2.4L DOHC DGG, DGD = 32RH 3 Spd.  
 L = SE U = Wrangler 4WD (RHD) ERH = 4.0L Power Tech Auto.  
 M = X  
 P = Sahara  
 S = Rubicon  
 DDD = 5 Speed HD Manual  
 DG0 = Auto. Trans.  
 DBB = Manual Trans.  
 DDK = 5 Speed Manual

AR = Use as required - = Non illustrated part # = New this model year

January 6, 2004

Differential, With and Without Trac-Lok [DSA] Dana 44/226MM [DRK]  
Figure 003-240



ITEM	PART NUMBER	QTY	LINE	SERIES	BODY	ENGINE	TRANS	TRIM	DESCRIPTION
Note: Sales Codes;									
[DME]=Axle Ratio - 3.73									
[DMF]=Axle Ratio - 4.11									
[DMM]=Axle Ratio - 3.07									
[DRK]=Axle - Rear, Dana 44/226MM									
[DSA]=Axle - Anti-Spin Differential									
1									NUT, Pinion Yoke
	1791 575	1	J		77				
		1	U		77				
2		1	J		78				WASHER, Pinion Yoke
	1791 576	1	J		77				
		1	U		77				
		1	J		78				
3									YOKE, Axle
	4897 026AA	1	J		77				
		1	U		77				
		1	J		78				
-4									SLINGER, Drive Pinion
	4031 974	1	J		77				
		1	U		77				
		1	J		78				
5									SEAL, Drive Pinion
	5072 473AA	1	J		77				
		1	U		77				
		1	J		78				
6									BEARING, Drive Pinion
	J812 4052	1	J		77				Bearing and Cup, Front
		1	U		77				Bearing and Cup, Front
		1	J		78				Bearing and Cup, Front
7									SHIM KIT, Pinion Shaft
	J812 9221	1	J		77				
		1	U		77				
		1	J		78				
8									BEARING, Drive Pinion
	5014 847AA	1	J		77				Bearing and Cup, Rear
		1	U		77				Bearing and Cup, Rear
		1	J		78				Bearing and Cup, Rear
9									GEAR KIT, Ring And Pinion
	5103 016AB	1	J		77				[DME]
	5093 044AA	1	J		77				[DMF]

JEEP WRANGLER (TJ)

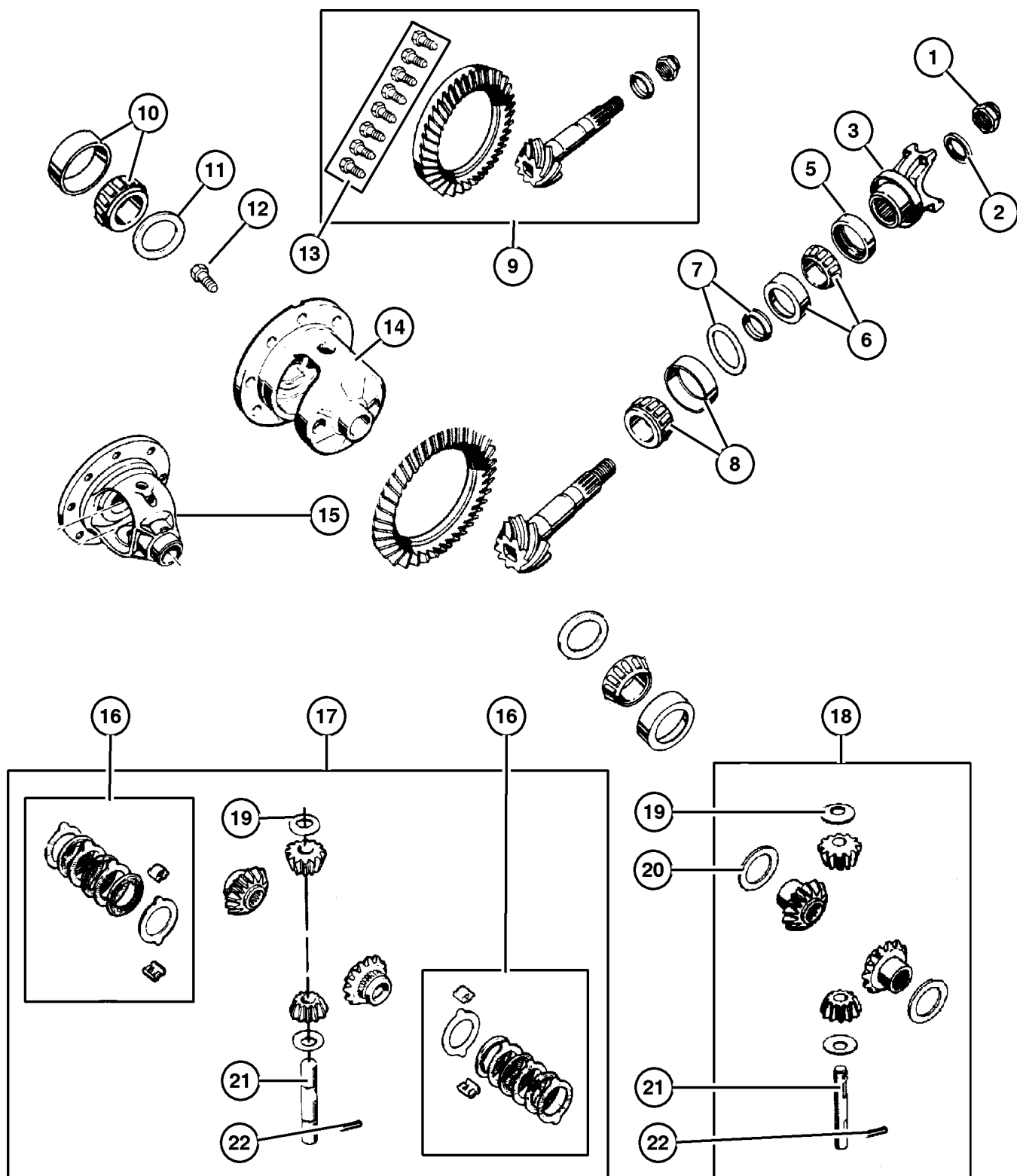
SERIES	LINE	BODY	ENGINE	TRANSMISSION
H = Sport	J = Wrangler 4WD	77 = 93.4 WB	ED1, ED0 = 2.4L DOHC	DGG, DGD = 32RH 3 Spd. Auto.
L = SE	U = Wrangler 4WD (RHD)		ERH = 4.0L Power Tech	DDD = 5 Speed HD Manual
M = X				DG0 = Auto. Trans.
P = Sahara				DBB = Manual Trans.
S = Rubicon				DDK = 5 Speed Manual

AR = Use as required - = Non illustrated part # = New this model year

January 6, 2004



Differential, With and Without Trac-Lok [DSA] Dana 44/226MM [DRK]  
Figure 003-240



ITEM	PART NUMBER	QTY	LINE	SERIES	BODY	ENGINE	TRANS	TRIM	DESCRIPTION
	5103 016AB	1	U		77				[DME]
	5103 018AB	1	U		77				[DMM]
	5103 016AB	1	J		78				[DME]
10	4746 733	1	J		77				BEARING, Differential Case Consists of 2 Bearings and 2 Cups
		1	U		77				Consists of 2 Bearings and 2 Cups
		1	J		78				Consists of 2 Bearings and 2 Cups
11	5093 047AA	1	J		77				SHIM KIT, Differential
		1	U		77				
		1	J		78				
12	5252 503	10	J						SCREW, Drive Gear, 3/8" Ring Gear Bolts, Mounting
13									BOLT KIT
	5012 810AC	1	J		77				7/16" Ring Gear Bolts, Mounting
		1	U		77				7/16" Ring Gear Bolts, Mounting
		1	J		78				7/16" Ring Gear Bolts, Mounting
14									CASE, Differential
	8350 5431	1	J						With [DSA] With internal Parts-3/8" Ring Gear Bolts
	5103 017AA	1	J		77				With [DSA] With internal Parts-7/16" Ring Gear Bolts
		1	U		77				With [DSA] With internal Parts-7/16" Ring Gear Bolts
		1	J		78				With [DSA] With internal Parts-7/16" Ring Gear Bolts
15	5103 031AA	1	J		77				CASE, Differential, Without [DSA] With Internal Parts
16									DISC AND PLATE KIT, Differential
	J0994 345AB	1	J		77				With [DSA]
		1	U		77				With [DSA]
		1	J		78				With [DSA]
17									GEAR KIT, Center Differential
	83505 432AB	1	J		77				With [DSA]
		1	U		77				With [DSA]
		1	J		78				With [DSA]
18	4778 595	1	J		77				GEAR KIT, Center Differential, Without [DSA]
19									WASHER, Pinion Gear
	1791 561	2	J		77				With or Without [DSA], Thrust
		2	U		77				With or Without [DSA], Thrust

JEEP WRANGLER (TJ)

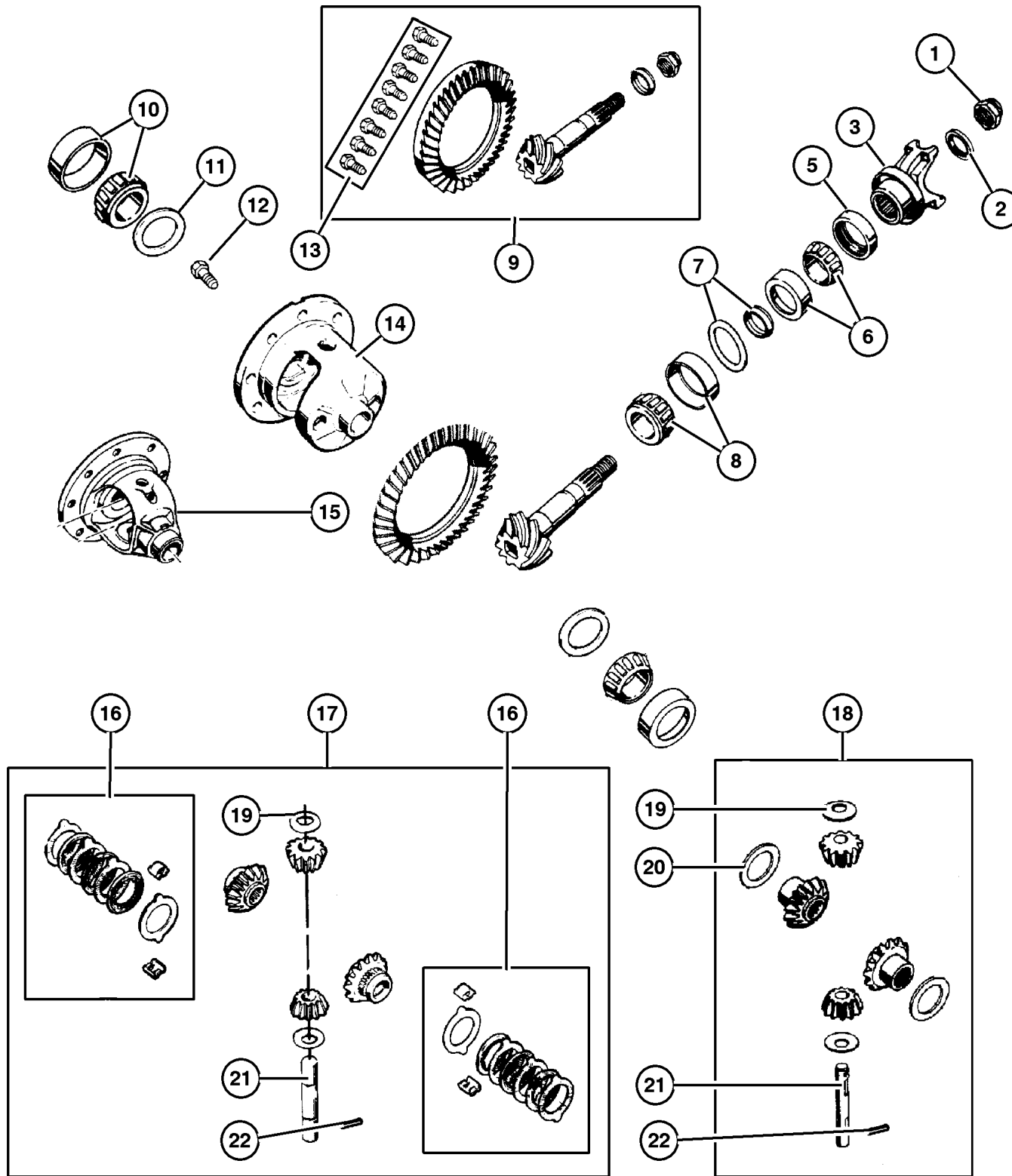
SERIES	LINE	BODY	ENGINE	TRANSMISSION
H = Sport	J = Wrangler 4WD	77 = 93.4 WB	ED1, ED0 = 2.4L DOHC	DGG, DGD = 32RH 3 Spd. Auto.
L = SE	U = Wrangler 4WD (RHD)		ERH = 4.0L Power Tech	DDD = 5 Speed HD Manual
M = X				DG0 = Auto. Trans.
P = Sahara				DBB = Manual Trans.
S = Rubicon				DDK = 5 Speed Manual

AR = Use as required - = Non illustrated part # = New this model year

January 6, 2004

Differential, With and Without Trac-Lok [DSA] Dana 44/226MM [DRK]  
Figure 003-240

ITEM	PART NUMBER	QTY	LINE	SERIES	BODY	ENGINE	TRANS	TRIM	DESCRIPTION
		2	J		78				With or Without [DSA], Thrust
20	4137 755	2	J		77				WASHER, Side Gear, Without [DSA], Thrust
21	8350 3069	1	J		77				SHAFT, Differential Pinion With or Without [DSA]
		1	U		77				With or Without [DSA]
		1	J		78				With or Without [DSA]
22	1791 563	1	J		77				PIN, Differential Shaft With or Without [DSA]
		1	U		77				With or Without [DSA]
		1	J		78				With or Without [DSA]

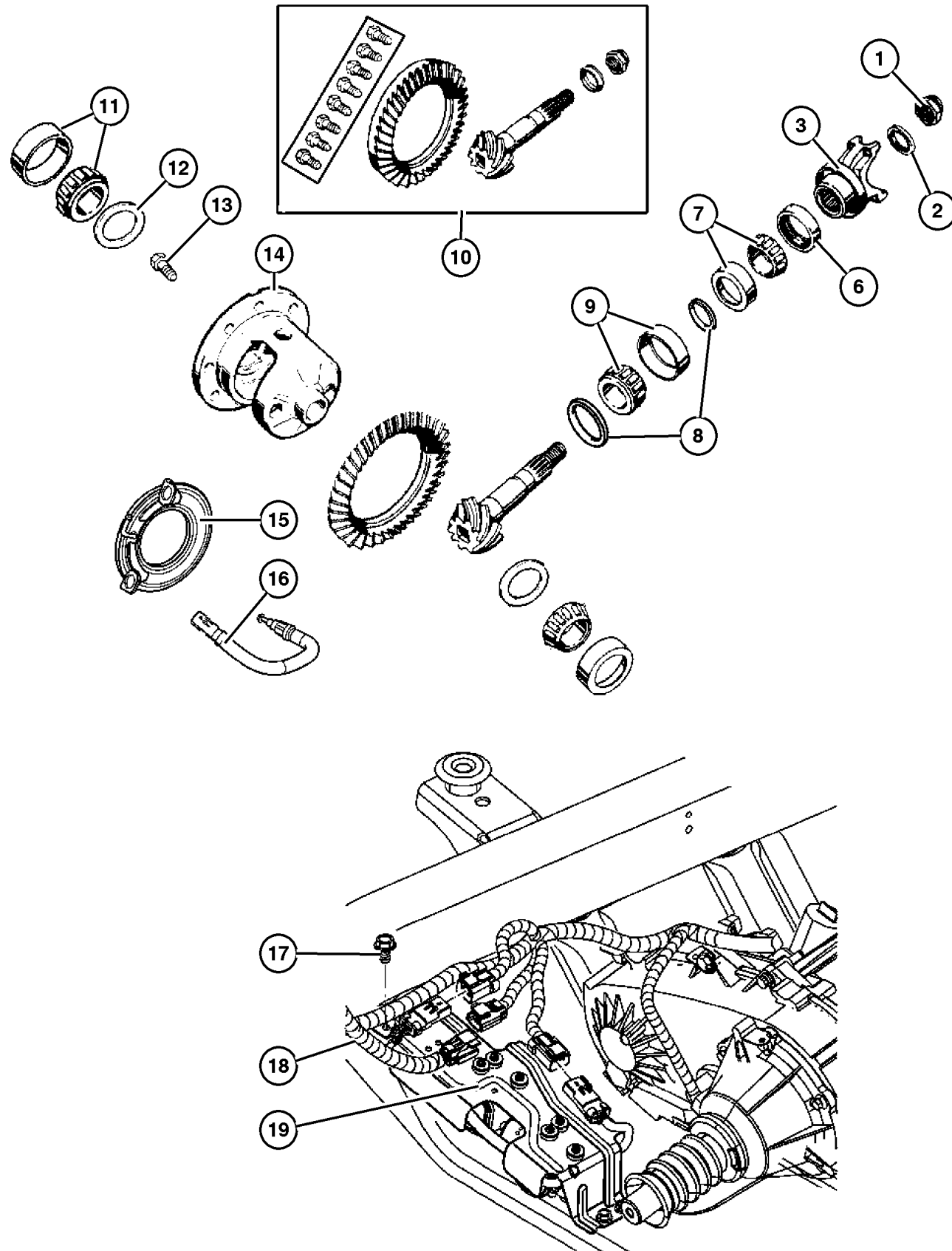


JEEP WRANGLER (TJ)  
 SERIES H = Sport L = SE M = X P = Sahara S = Rubicon  
 LINE J = Wrangler 4WD U = Wrangler 4WD (RHD)  
 BODY 77 = 93.4 WB  
 ENGINE ED1, ED0 = 2.4L DOHC ERH = 4.0L Power Tech  
 TRANSMISSION DGG, DGD = 32RH 3 Spd. Auto. DDD = 5 Speed HD Manual DG0 = Auto. Trans. DBB = Manual Trans. DDK = 5 Speed Manual

AR = Use as required - = Non illustrated part # = New this model year

January 6, 2004

**Differential, With Trulok Differential [DSE] Dana 44/226MM [DRK]  
Figure 003-250**



ITEM	PART NUMBER	QTY	LINE	SERIES	BODY	ENGINE	TRANS	TRIM	DESCRIPTION
Note: Sales Codes;									
[DMF]=Axle Ratio - 4.11									
[DSE]=Axle - Trulok Differential									
1	5017 755AA	1	J		77				NUT, Pinion Yoke
2									WASHER, Pinion Yoke, (NOT REQUIRED)
3	4797 689	1	J		77				YOKE, Axle
-4	5012 453AA	1	J		77				O RING, Pinion Flange, Fits on Hub of Axle Yoke
-5	4031 974	1	J		77				SLINGER, Drive Pinion
6	5066 446AA	1	J		77				SEAL, Drive Pinion
7	J812 4052	1	J		77				BEARING, Drive Pinion, Bearing and Cup, Front
8	5083 673AB	1	J		77				SHIM KIT, Pinion Shaft, Preload
9	5014 847AA	1	J		77				BEARING, Drive Pinion, Bearing and Cup, Rear
10	5093 044AA	1	J		77				GEAR KIT, Ring And Pinion, [DMF]
11	4746 733	1	J		77				BEARING, Differential Case, Consists of 2 Bearings and 2 Cups
12	5093 047AA	1	J		77				SHIM KIT, Differential
13	5012 810AC	1	J		77				BOLT KIT
14	52104 572AA	1	J		77				CASE, Differential, With Internal Parts
15	52104 611AA	1	J						ACTUATOR, Axle Locker
16	52104 610AA	1	J						SENSOR, Axle Locker
17	6505 914AA	4	J						BOLT, Axle Locker Pump, Mounting
18	52104 603AB	1	J						HARNES, Electronic Front Axle
19	#52104 604AB	1	J						PUMP MODULE, Axle Locker, Contains Front and Rear Axle Pumps
-20	#5127 836AA	2	J						PUMP, Axle Locker, Pump only, Front or Rear
-21	J323 2982	1	J						TEE, Vacuum
-22	HFV00 014AB	1	J						HOSE 1FT, Fuel & Vapor, 1/4"

**JEEP WRANGLER (TJ)**

SERIES	LINE	BODY	ENGINE	TRANSMISSION
H = Sport	J = Wrangler 4WD	77 = 93.4 WB	ED1, ED0 = 2.4L DOHC	DGG, DGD = 32RH 3 Spd. Auto.
L = SE	U = Wrangler 4WD (RHD)		ERH = 4.0L Power Tech	DDD = 5 Speed HD Manual
M = X				DG0 = Auto. Trans.
P = Sahara				DBB = Manual Trans.
S = Rubicon				DDK = 5 Speed Manual

AR = Use as required - = Non illustrated part # = New this model year

January 6, 2004

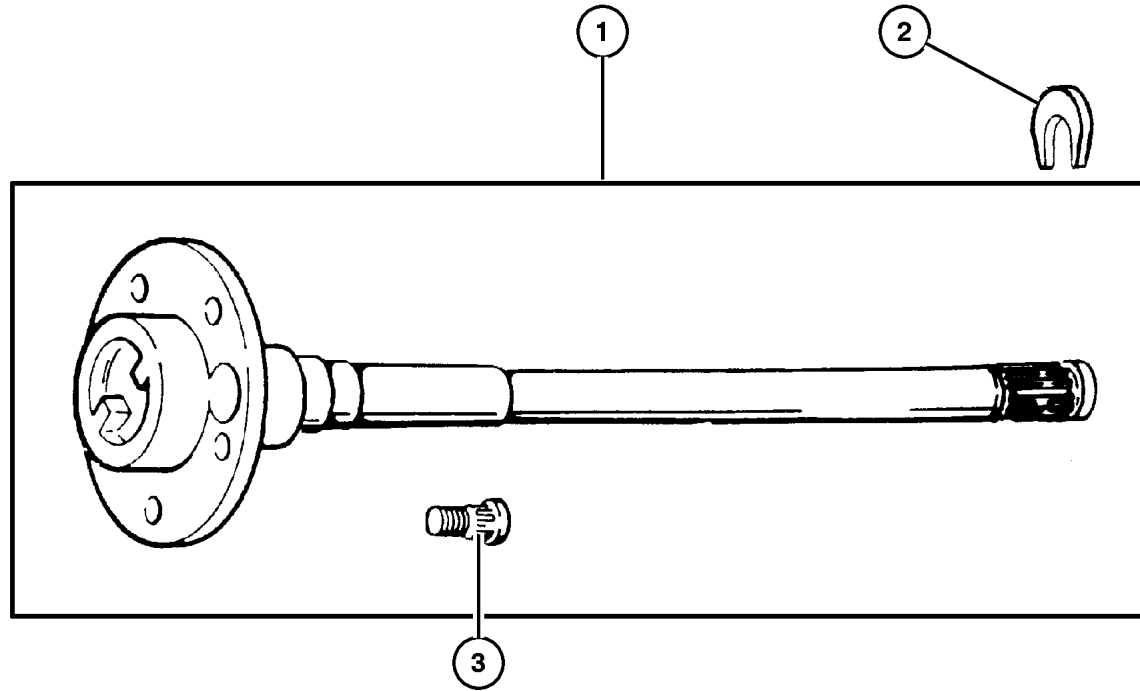
**Shaft,Rear Axle,Dana 35/194MM [DRJ]  
Figure 003-410**

ITEM	PART NUMBER	QTY	LINE	SERIES	BODY	ENGINE	TRANS	TRIM	DESCRIPTION
------	-------------	-----	------	--------	------	--------	-------	------	-------------

Note:Sales Codes;

[DRJ]=Axle - Rear,Dana 35/194MM

1	5086 640AA	1	J		77				SHAFT, Axle Without 52104676AC Axle Assembly, Right
	5086 641AA	1	J		77				Without 52104676AC Axle Assembly, Left
	5103 014AA	1	J		77				With 52104676AC Axle Assembly, Right
	5103 015AA	1	J		77				With 52104676AC Axle Assembly, Left
2	5252 505	2	J		77				RETAINER, Axle Shaft, Right or Left
3	4762 841	5	J		77				STUD, Hub, Right or Left



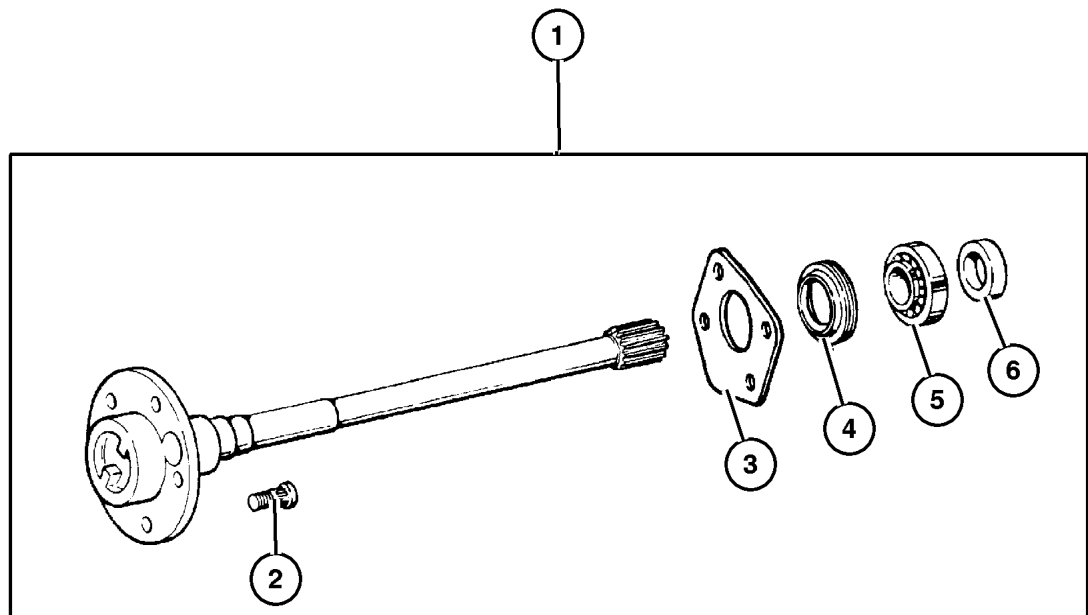
**JEEP WRANGLER (TJ)**

SERIES	LINE	BODY	ENGINE	TRANSMISSION
H = Sport	J = Wrangler 4WD	77 = 93.4 WB	ED1, ED0 = 2.4L DOHC	DGG, DGD = 32RH 3 Spd. Auto.
L = SE	U = Wrangler 4WD (RHD)		ERH = 4.0L Power Tech	DDD = 5 Speed HD Manual
M = X				DG0 = Auto. Trans.
P = Sahara				DBB = Manual Trans.
S = Rubicon				DDK = 5 Speed Manual

AR = Use as required - = Non illustrated part # = New this model year

January 6, 2004

**Shaft,Rear Axle,Dana 44/226MM [DRK]  
Figure 003-420**



ITEM	PART NUMBER	QTY	LINE	SERIES	BODY	ENGINE	TRANS	TRIM	DESCRIPTION
Note:Sales Codes;									
[BGA]=Brakes - Power Front Disc/Rear Drum									
[BRW]=Brakes - 4-Wheel Disc									
[DRK]=Axle - Rear,Dana 44/226MM									
1									SHAFT, Axle
	5086 632AA	1	J		77				[BGA], Right
	5086 633AA	1	J		77				[BGA], Left
	5083 676AA	1	J		77				[BRW], Right
	5083 677AA	1	J		77				[BRW], Left
	5083 676AA	1	J		78				Right
	5083 677AA	1	J		78				Left
	5086 633AA	1	U		77				Left
	5086 632AA	1	U		77				Right
2									STUD, Hub
	4762 841	5	J		77				Right or Left
		5	J		78				Right or Left
		5	U		77				Right or Left
3									RETAINER, Axle Shaft Seal
	5010 811AA	1	J		77				[BGA], Right or Left
	5083 678AA	1	J		77				[BRW], Right or Left
		1	J		78				Right or Left
	5010 811AA	1	U		77				Right or Left
4									SEAL, Axle Drive Shaft
	8350 3063	1	J		77				Right or Left
		1	J		78				Right or Left
		1	U		77				Right or Left
5									BEARING, Axle Shaft
	8350 3064	1	J		77				Right or Left
		1	J		78				Right or Left
		1	U		77				Right or Left
6									RING, Axle Shaft
	8350 3077	1	J		77				Right or Left
		1	J		78				Right or Left
		1	U		77				Right or Left

**JEEP WRANGLER (TJ)**

SERIES	LINE	BODY	ENGINE	TRANSMISSION
H = Sport	J = Wrangler 4WD	77 = 93.4 WB	ED1, ED0 = 2.4L DOHC	DGG, DGD = 32RH 3 Spd.
L = SE	U = Wrangler 4WD (RHD)		ERH = 4.0L Power Tech	Auto.
M = X				DDD = 5 Speed HD Manual
P = Sahara				DG0 = Auto. Trans.
S = Rubicon				DBB = Manual Trans.
				DDK = 5 Speed Manual

AR = Use as required - = Non illustrated part # = New this model year

January 6, 2004

# Group – 004

## Parking Brake

### GROUP 4 - Parking Brake

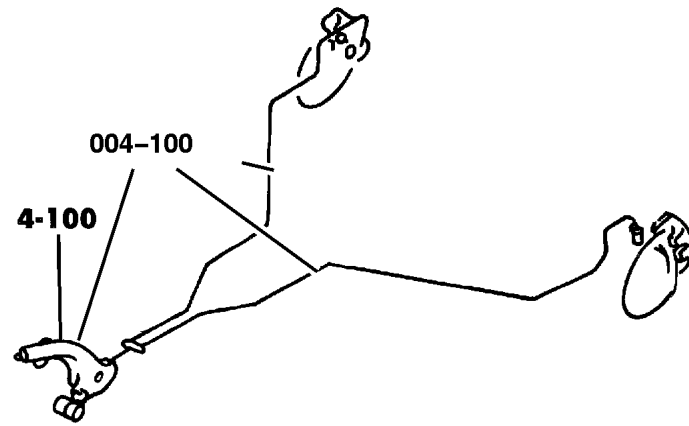
Illustration Title


Group-Fig. No.

#### Parking Brake Lever and Cables

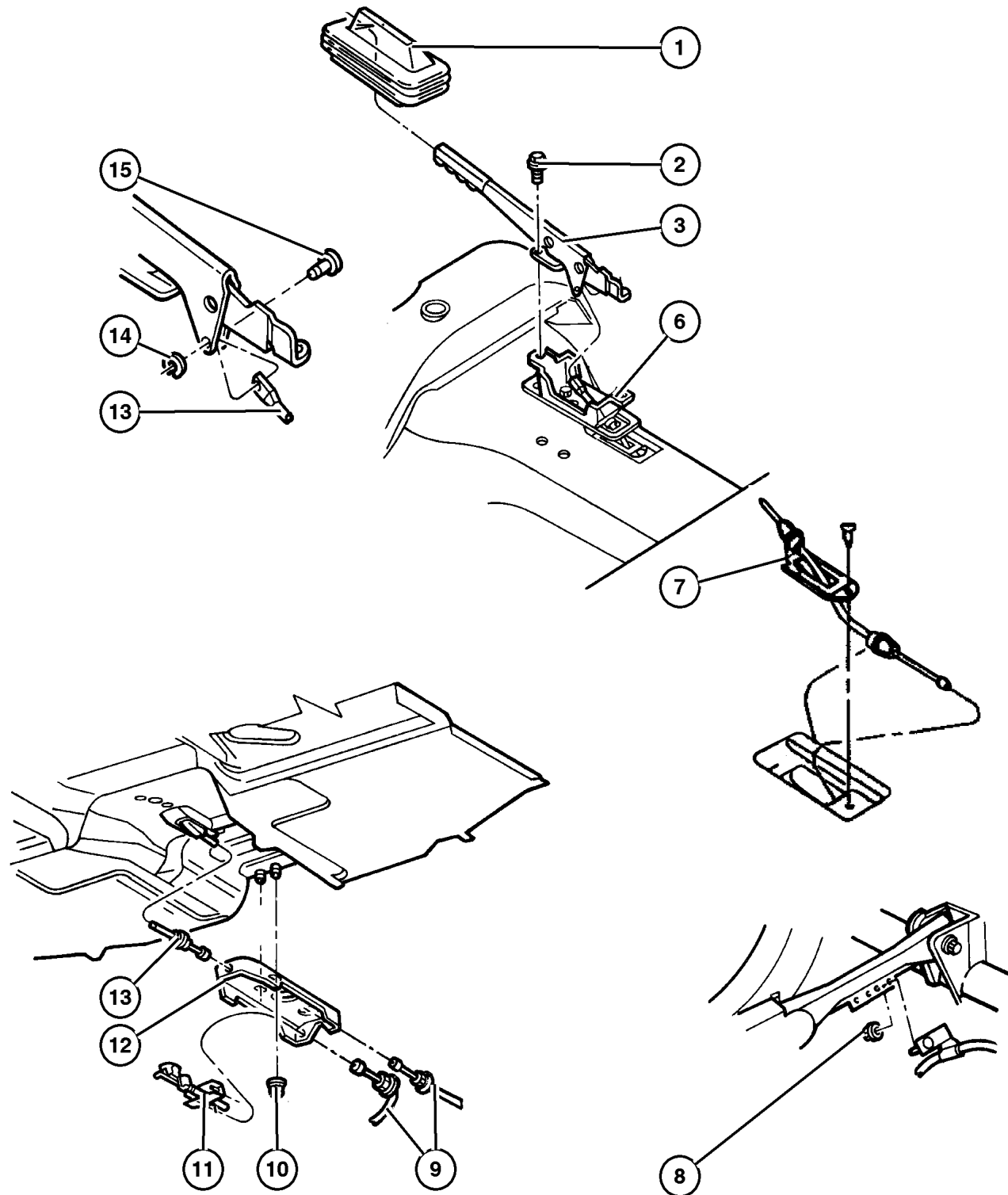
Parking Brake Lever and Cables ..... Fig. 004-110

Parking Brake Assembly,Rear,Disc ..... Fig. 004-120



<p><b>004-100</b> Parking Brake Lever and Cables</p> 			
--	--	--	--

## Parking Brake Lever and Cables Figure 004-110



ITEM	PART NUMBER	QTY	LINE	SERIES	BODY	ENGINE	TRANS	TRIM	DESCRIPTION
Note:Sales Codes;									
[BGA]=Brakes - Power Front Disc/Rear Drum									
[BGK]=Brakes - 4-Wheel Anti-Lock									
[BRW]=Brakes - 4-Wheel Disc									
1	52078 891AB	1							BOOT, Parking Brake Lever
2	3420 1686	2							BOLT, Hex Flange Head, M12x1.18x35 Parking Brake Lever to Bracket, Mounting
3	52128 203AC	1							Parking Brake Lever to Bracket to Floor Pan, Mounting
-4	5212 7960	1							LEVER, Park Brake
-5									SWITCH, Parking Brake
6	5212 8191	1							SCREW, Hex Flange Head, Parking Brake Switch Mounting -Tapping .190-24x.750, (NOT SERVICED) (Not Serviced)
7	0153 644	3							BRACKET, Parking Lever, Mounting SCREW, .190-16x.500, Front Parking Brake Cable Seal to Floor Pan, Mounting
8	6101 695	1							NUT, Hex Flange Lock, Parking Brake Cable to Right Control Arm, Mounting
9									CABLE, Parking Brake
	5200 8362	1	J		77				[BGA,BGK], Right
	5200 8363	1	J		77				[BGA,BGK], Left
	52128 428AA	1	J		77				[BRW], Right
	52128 429AA	1	J		77				[BRW], Left
	#52013 455AA	1	J		78				[BRW], Right
	#52013 457AA	1	J		78				[BRW], Left
	5200 8362	1	U		77				Right
	5200 8363	1	U		77				Left
10	6505 245AA	2							NUT, M8x1.25, Parking Brake Support Bracket to Floor Pan, Mounting
11	5200 9527	1							TENSIONER, Parking Brake Cable, Adjusting
12	52127 952AC	1							BRACKET, Cable
13	52128 206AD	1							CABLE, Parking Brake, Front
14	5207 8012	1							CLIP, Parking Brake Cable, Parking Brake Lever, Mounting

### JEEP WRANGLER (TJ)

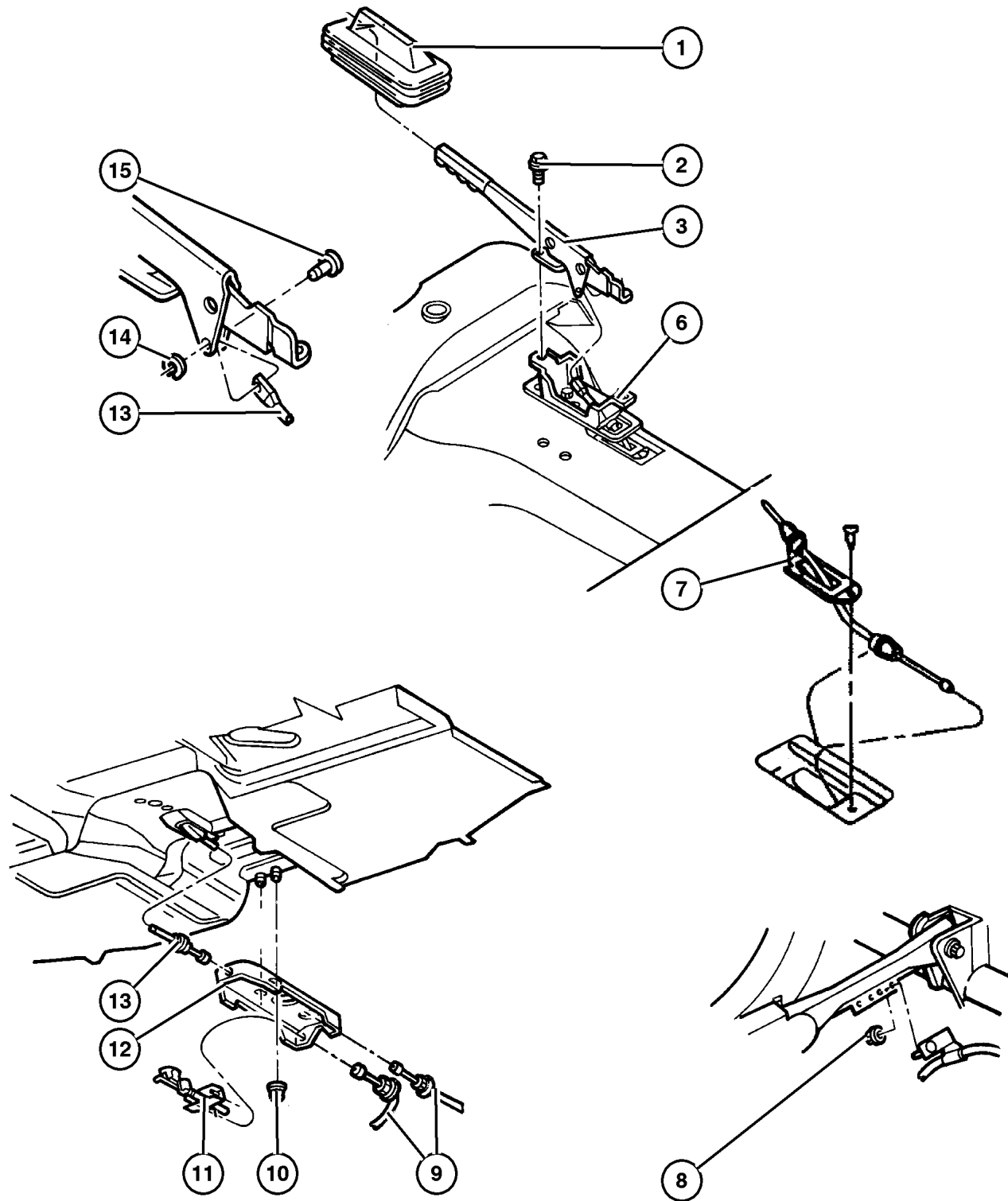
SERIES	LINE	BODY	ENGINE	TRANSMISSION
H = Sport	J = Wrangler 4WD	77 = 93.4 WB	ED1, ED0 = 2.4L DOHC	DGG, DGD = 32RH 3 Spd. Auto.
L = SE	U = Wrangler 4WD (RHD)		ERH = 4.0L Power Tech	DDD = 5 Speed HD Manual
M = X				DG0 = Auto. Trans.
P = Sahara				DBB = Manual Trans.
S = Rubicon				DDK = 5 Speed Manual

AR = Use as required - = Non illustrated part # = New this model year

January 6, 2004

**Parking Brake Lever and Cables**  
**Figure 004-110**

ITEM	PART NUMBER	QTY	LINE	SERIES	BODY	ENGINE	TRANS	TRIM	DESCRIPTION
15	5207 8010	1							PIN, Parking Release, Parking Brake Lever, Mounting



**JEEP WRANGLER (TJ)**

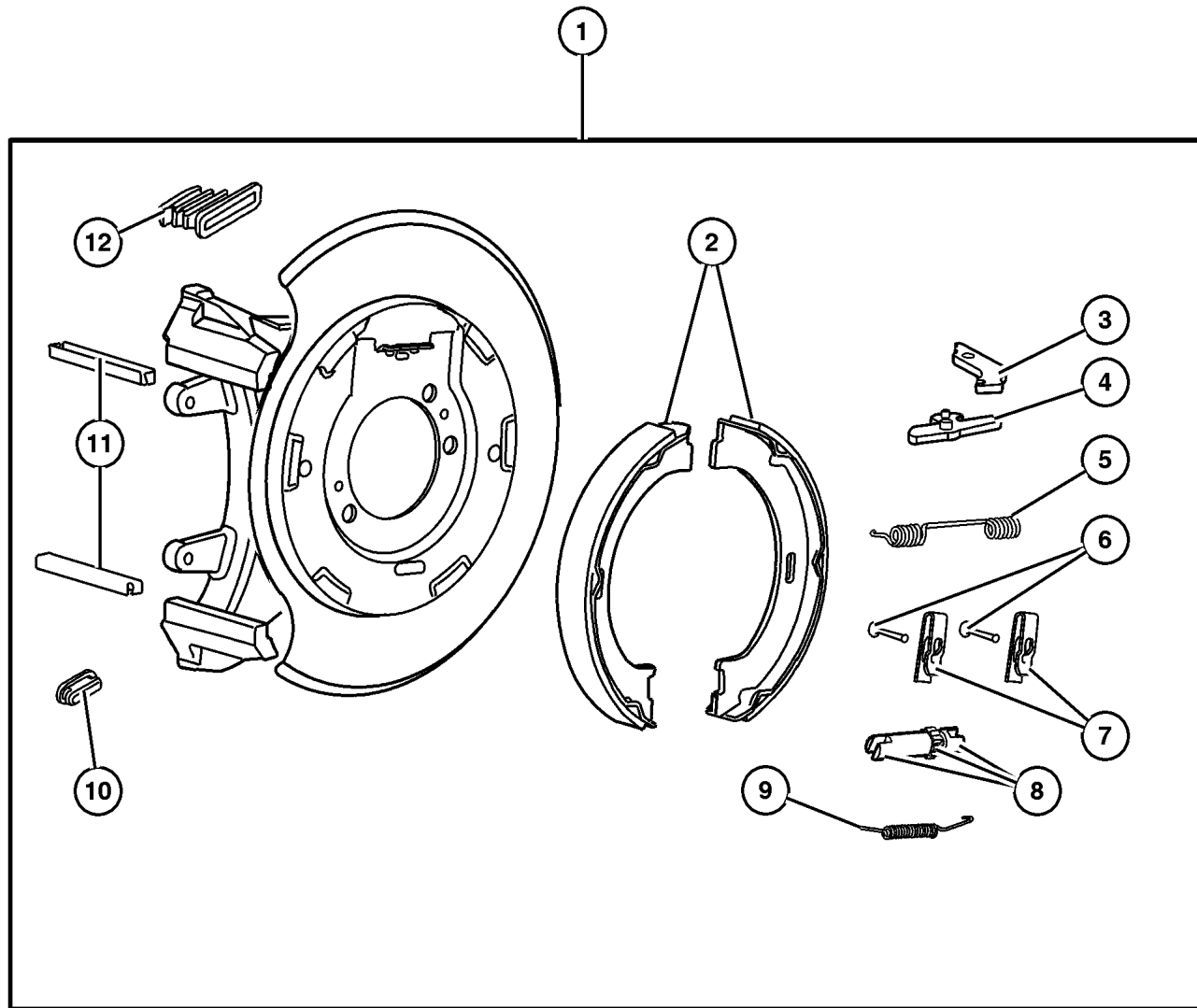
SERIES	LINE	BODY	ENGINE	TRANSMISSION
H = Sport	J = Wrangler 4WD	77 = 93.4 WB	ED1, ED0 = 2.4L DOHC	DGG, DGD = 32RH 3 Spd. Auto.
L = SE	U = Wrangler 4WD (RHD)		ERH = 4.0L Power Tech	DDD = 5 Speed HD Manual
M = X				DG0 = Auto. Trans.
P = Sahara				DBB = Manual Trans.
S = Rubicon				DDK = 5 Speed Manual

AR = Use as required - = Non illustrated part # = New this model year

January 6, 2004



**Parking Brake Assembly,Rear,Disc  
Figure 004-120**



ITEM	PART NUMBER	QTY	LINE	SERIES	BODY	ENGINE	TRANS	TRIM	DESCRIPTION
1									ADAPTER, Parking Brake
	52128 414AB	1	J		77				Right
	52128 415AB	1	J		77				Left
	52128 414AB	1	J		78				Right
	52128 415AB	1	J		78				Left
2									SHOE AND LINING KIT, Parking Brake
	5093 390AA	1	J		77				
		1	J		78				
3									LEVER, Park Brake Adjusting
	5093 392AA	1	J		77				
		1	J		78				
4									LEVER, Park Brake
	5093 334AA	1	J		77				Right
	5093 338AA	1	J		77				Left
	5093 334AA	1	J		78				Right
	5093 338AA	1	J		78				Left
5									SPRING, Park Brake Shoe Return
	5093 393AA	1	J		77				
		1	J		78				
6									PIN, Brake Shoe Hold Down
	4762 126	2	J		77				
		2	J		78				
7									CLIP, Parking Brake Hold Down
	4762 125	2	J		77				
		2	J		78				
8									ADJUSTER, Parking Brake
	5093 391AA	1	J		77				
		1	J		78				
9									SPRING, Park Brake Shoe Return
	4762 116	1	J		77				
		1	J		78				
10									PLUG, Brake Adjusting Hole
	4762 121	1	J		77				
		1	J		78				
11									SLIPPER, Caliper
	5093 394AB	4	J		77				
		4	J		78				
12									BOOT, Parking Brake Lever
	5093 395AA	1	J		77				
		1	J		78				

**JEEP WRANGLER (TJ)**

SERIES	LINE	BODY	ENGINE	TRANSMISSION
H = Sport	J = Wrangler 4WD	77 = 93.4 WB	ED1, ED0 = 2.4L DOHC	DGG, DGD = 32RH 3 Spd. Auto.
L = SE	U = Wrangler 4WD (RHD)		ERH = 4.0L Power Tech	DDD = 5 Speed HD Manual
M = X				DG0 = Auto. Trans.
P = Sahara				DBB = Manual Trans.
S = Rubicon				DDK = 5 Speed Manual

AR = Use as required - = Non illustrated part # = New this model year

January 6, 2004

# Group – 005

## Service Brakes

### GROUP 5 - Service Brakes

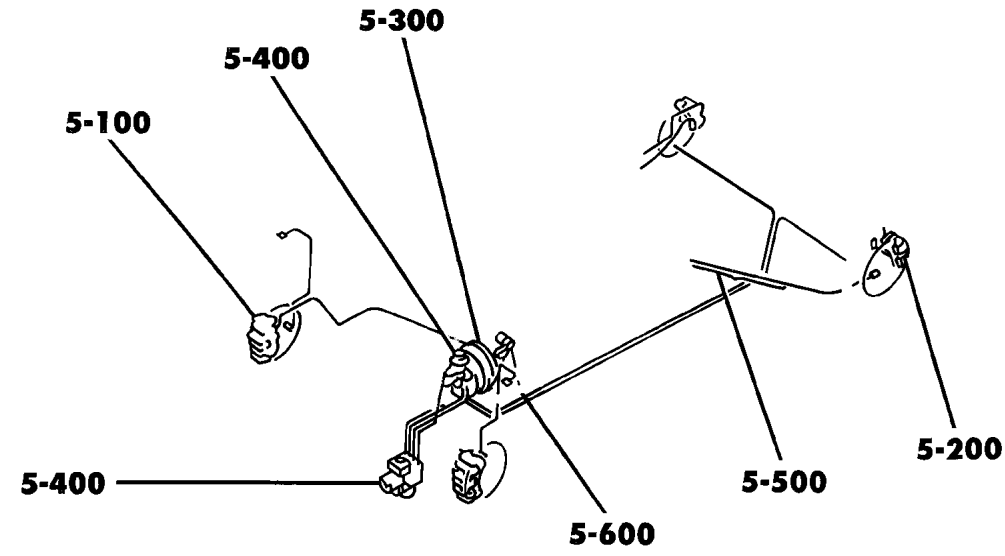


Illustration Title

Group-Fig. No.

#### Front Brakes

Front Brakes ..... Fig. 005-110

#### Rear Brakes

Brakes,Rear,Disc ..... Fig. 005-210

Brakes,Rear,Drum ..... Fig. 005-220

#### Power Brake Booster

Power Brake Booster ..... Fig. 005-310

#### Brake Master Cylinder

Master Cylinder ..... Fig. 005-410

#### Brake Lines and Hoses

Hydraulic Control Unit,Anti-Lock Brake ..... Fig. 005-510

Brake Lines and Hoses,Front,LHD Without ABS ..... Fig. 005-520

Brake Lines and Hoses,Front,RHD,Without ABS ..... Fig. 005-530

Brake Lines and Hoses,Rear,LHD,RHD,Without ABS ..... Fig. 005-540

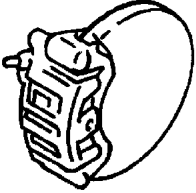
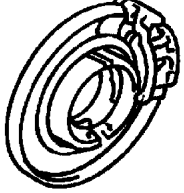
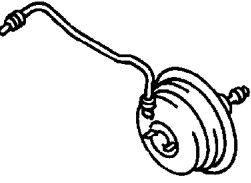
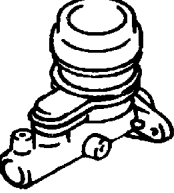
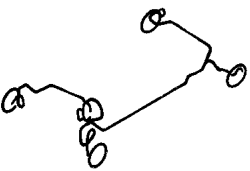

Brake Lines and Hoses,Front,LHD With ABS ..... Fig. 005-550

Brake Lines and Hoses,Rear,LHD With ABS ..... Fig. 005-560

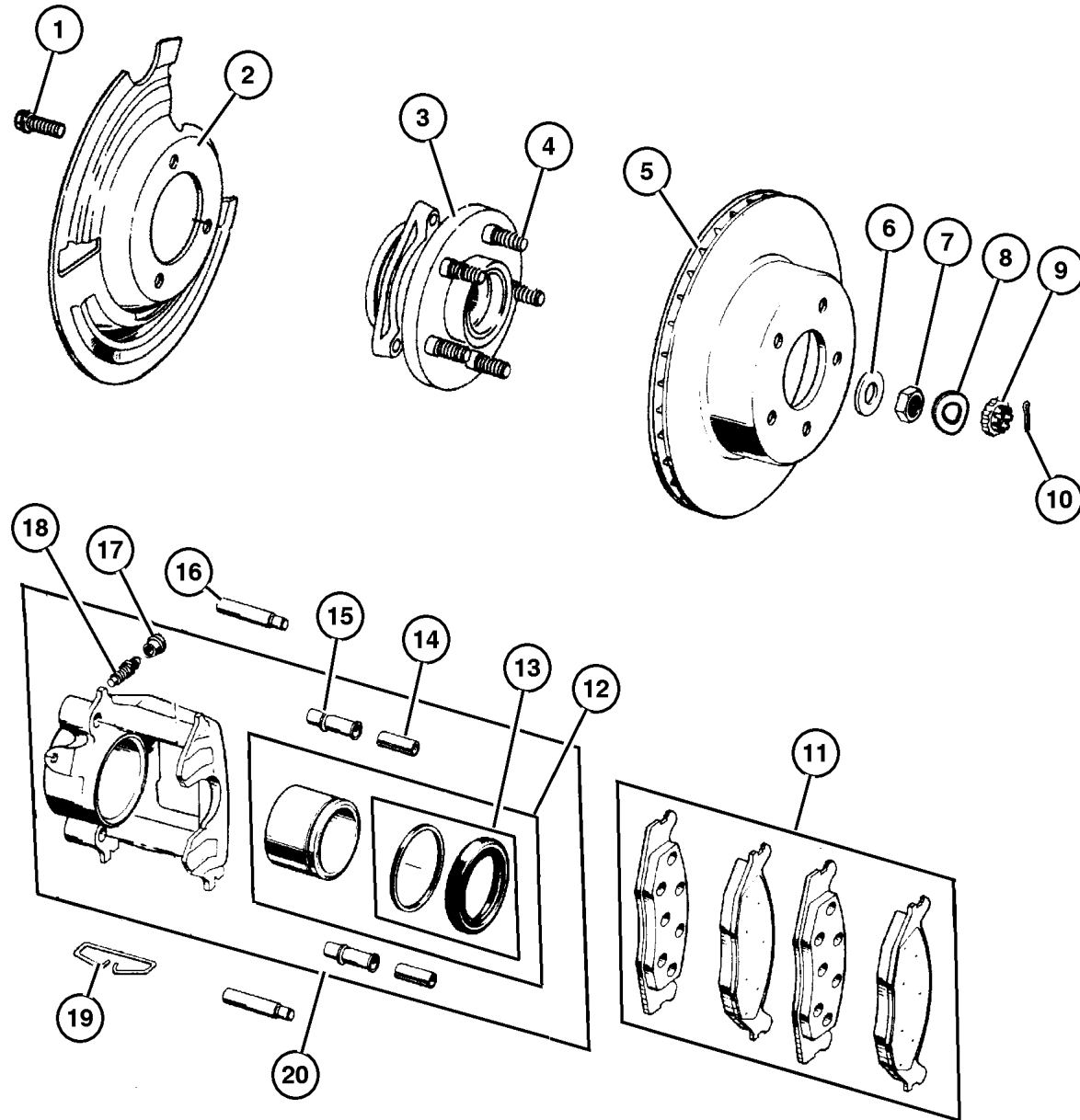
#### Brake Pedals

Brake Pedal,LHD ..... Fig. 005-610

Brake Pedal,RHD ..... Fig. 005-620

<p><b>005-100</b> Front Brakes</p> 	<p><b>005-200</b> Rear Brakes</p> 	<p><b>005-300</b> Power Brake Booster</p> 	<p><b>005-400</b> Brake Master Cylinder</p> 
<p><b>005-500</b> Brake Lines and Hoses</p> 	<p><b>005-600</b> Brake Pedals</p> 		

## Front Brakes Figure 005-110



ITEM	PART NUMBER	QTY	LINE	SERIES	BODY	ENGINE	TRANS	TRIM	DESCRIPTION
1									BOLT
	3420 1535	6	J						Knuckle to Hub and Bearing, Mounting
		6	U		77				Knuckle to Hub and Bearing, Mounting
2									SHIELD, Brake
	5200 5476	1	J						Right
	5200 5477	1	J						Left
	5200 5476	1	U		77				Right
	5200 5477	1	U		77				Left
3									HUB AND BEARING, Brake
	5016 458AA	2	J						
		2	U		77				
4									STUD, Hub
	6036 482AA	10	J						
		10	U		77				
5									ROTOR, Brake
	5016 434AA	2	J						
		2	U		77				
6									WASHER, Flat
	J420 0096	2	J						
		2	U		77				
7									NUT, Hex
	J420 0095	2	J						
		1	U		77				
8									WASHER, Wave
	4740 749	2	J						
		2	U		77				
9									RETAINER, Hub Nut
	J420 0097	2	J						
		2	U		77				
10									PIN, Cotter, M4x40.00
	1101 0069	2	J						
		2	U		77				
11									PAD KIT, Front Disc Brake
	4883 344AD	1	J						
		1	U		77				
12									PISTON, Brake
	5252 614	2	J						
		2	U		77				
13									BOOT AND SEAL, Disc Brake

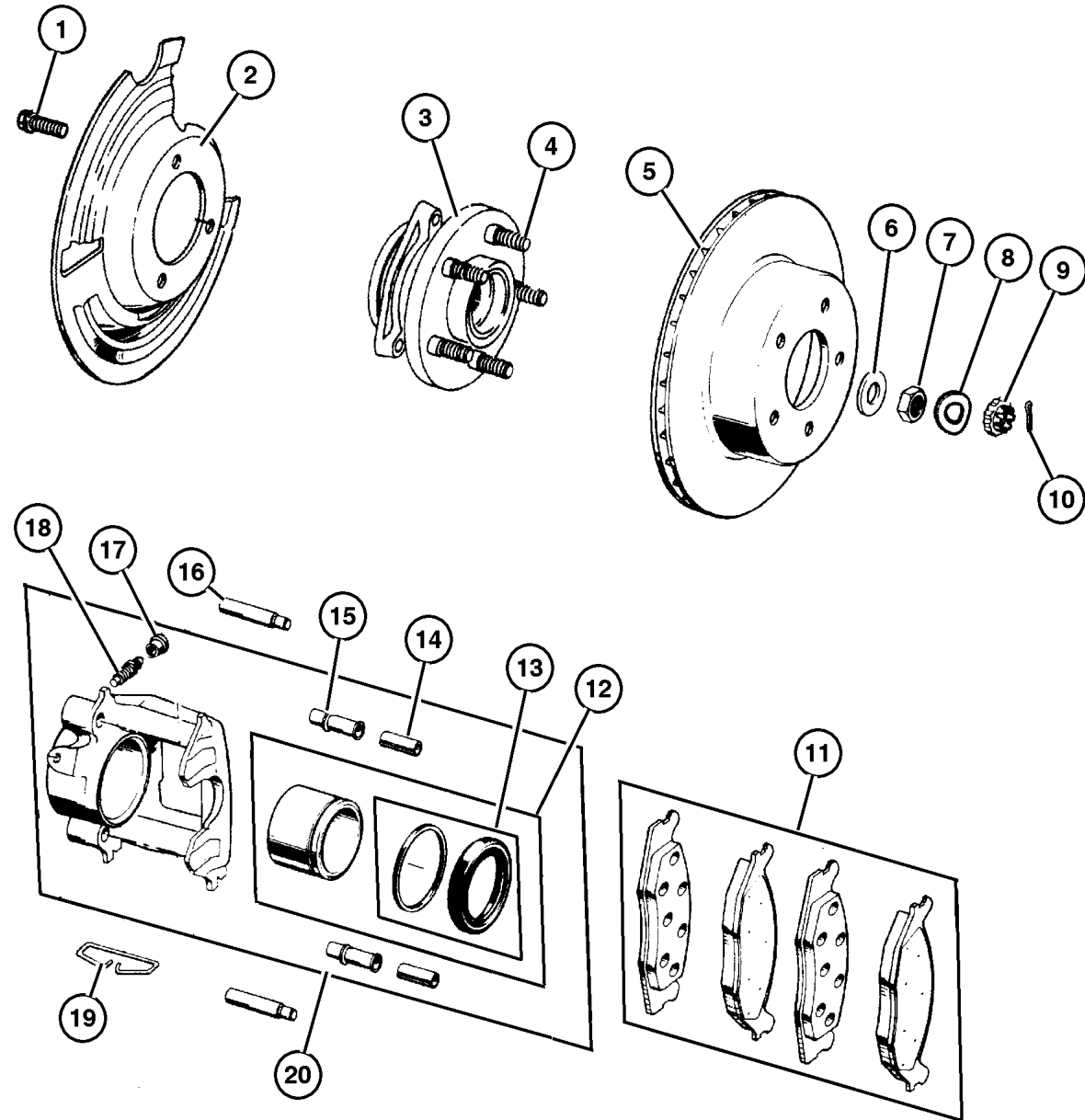
**JEEP WRANGLER (TJ)**

SERIES	LINE	BODY	ENGINE	TRANSMISSION
H = Sport	J = Wrangler 4WD	77 = 93.4 WB	ED1, ED0 = 2.4L DOHC	DGG, DGD = 32RH 3 Spd. Auto.
L = SE	U = Wrangler 4WD (RHD)		ERH = 4.0L Power Tech	DDD = 5 Speed HD Manual
M = X				DG0 = Auto. Trans.
P = Sahara				DBB = Manual Trans.
S = Rubicon				DDK = 5 Speed Manual

AR = Use as required - = Non illustrated part # = New this model year

January 6, 2004

## Front Brakes Figure 005-110



ITEM	PART NUMBER	QTY	LINE	SERIES	BODY	ENGINE	TRANS	TRIM	DESCRIPTION
	J813 3852	2	J						
		2	U		77				
14	4383 471	4	J						BUSHING, Disc Brake Caliper
		4	U		77				
15	4423 573	4	J						SLEEVE, Disc Brake Caliper
		4	U		77				
16	5253 000	1	J						PIN, Caliper
		1	U		77				
17	4238 717	1	J						CAP, Bleeder
		1	U		77				
18	J320 3313	2	J						SCREW, Bleeder
		2	U		77				
19	J323 9865	4	J						CLIP, Brake Caliper
		4	U		77				
20	5252 984	1	J						CALIPER, Disc Brake
		1	J						Right
	5252 985	1	J						Left
	5252 984	1	U		77				Right
	5252 985	1	U		77				Left

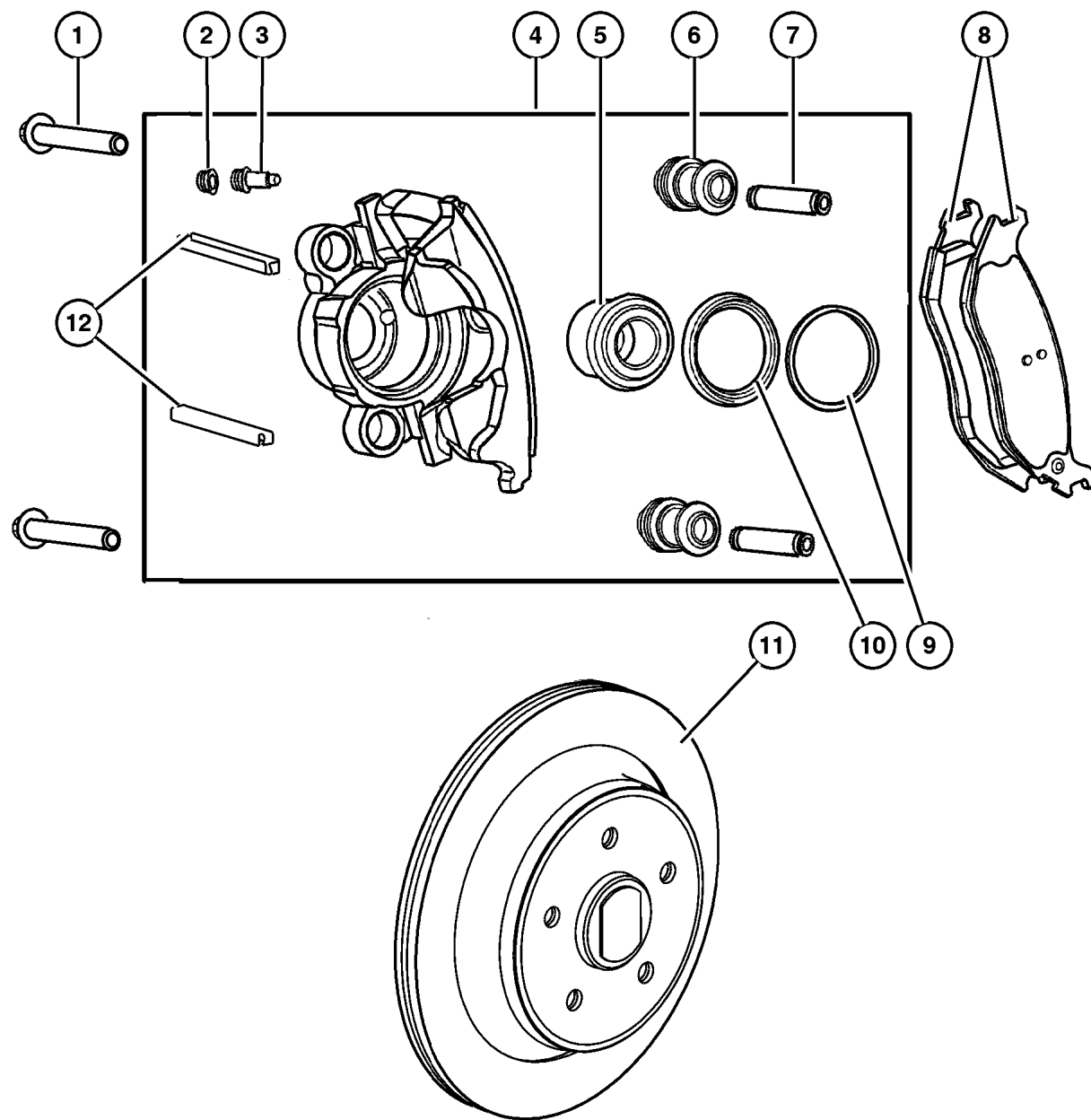
**JEEP WRANGLER (TJ)**

SERIES	LINE	BODY	ENGINE	TRANSMISSION
H = Sport	J = Wrangler 4WD	77 = 93.4 WB	ED1, ED0 = 2.4L DOHC	DGG, DGD = 32RH 3 Spd. Auto.
L = SE	U = Wrangler 4WD (RHD)		ERH = 4.0L Power Tech	DDD = 5 Speed HD Manual
M = X				DG0 = Auto. Trans.
P = Sahara				DBB = Manual Trans.
S = Rubicon				DDK = 5 Speed Manual

AR = Use as required - = Non illustrated part # = New this model year

January 6, 2004

Brakes,Rear,Disc  
Figure 005-210



ITEM	PART NUMBER	QTY	LINE	SERIES	BODY	ENGINE	TRANS	TRIM	DESCRIPTION
1									PIN, Caliper
	5253 000	4	J		77				
		4	J		78				
2									CAP, Bleeder
	5093 278AA	1	J		77				
		1	J		78				
3									BLEEDER SCREW, Brake
	J092 0463	1	J		77				
		1	J		78				
4									CALIPER, Disc Brake
	5093 542AA	1	J		77				Right
	5093 543AA	1	J		77				Left
	5093 542AA	1	J		78				Right
	5093 543AA	1	J		78				Left
5									PISTON, Brake
	5093 275AA	1	J		77				
		1	J		78				
6									BUSHING, Caliper
	4762 106	2	J		77				
		2	J		78				
7									SLEEVE, Brake Caliper
	4762 105	2	J		77				
		2	J		78				
8									PAD KIT, Disc Brake
	5093 511AB	1	J		77				
	5093 511AA	1	J		78				
9									SEAL, Caliper Piston
	5093 276AA	1	J		77				
		1	J		78				
10									BOOT, Brake Piston
	5093 277AA	1	J		77				
		1	J		78				
11									ROTOR, Brake
	52128 411AA	2	J		77				
		2	J		78				
12									SLIPPER, Caliper
	5093 394AB	4	J		77				
		4	J		78				

JEEP WRANGLER (TJ)

SERIES  
H = Sport  
L = SE  
M = X  
P = Sahara  
S = Rubicon

LINE  
J = Wrangler 4WD  
U = Wrangler 4WD (RHD)

BODY  
77 = 93.4 WB

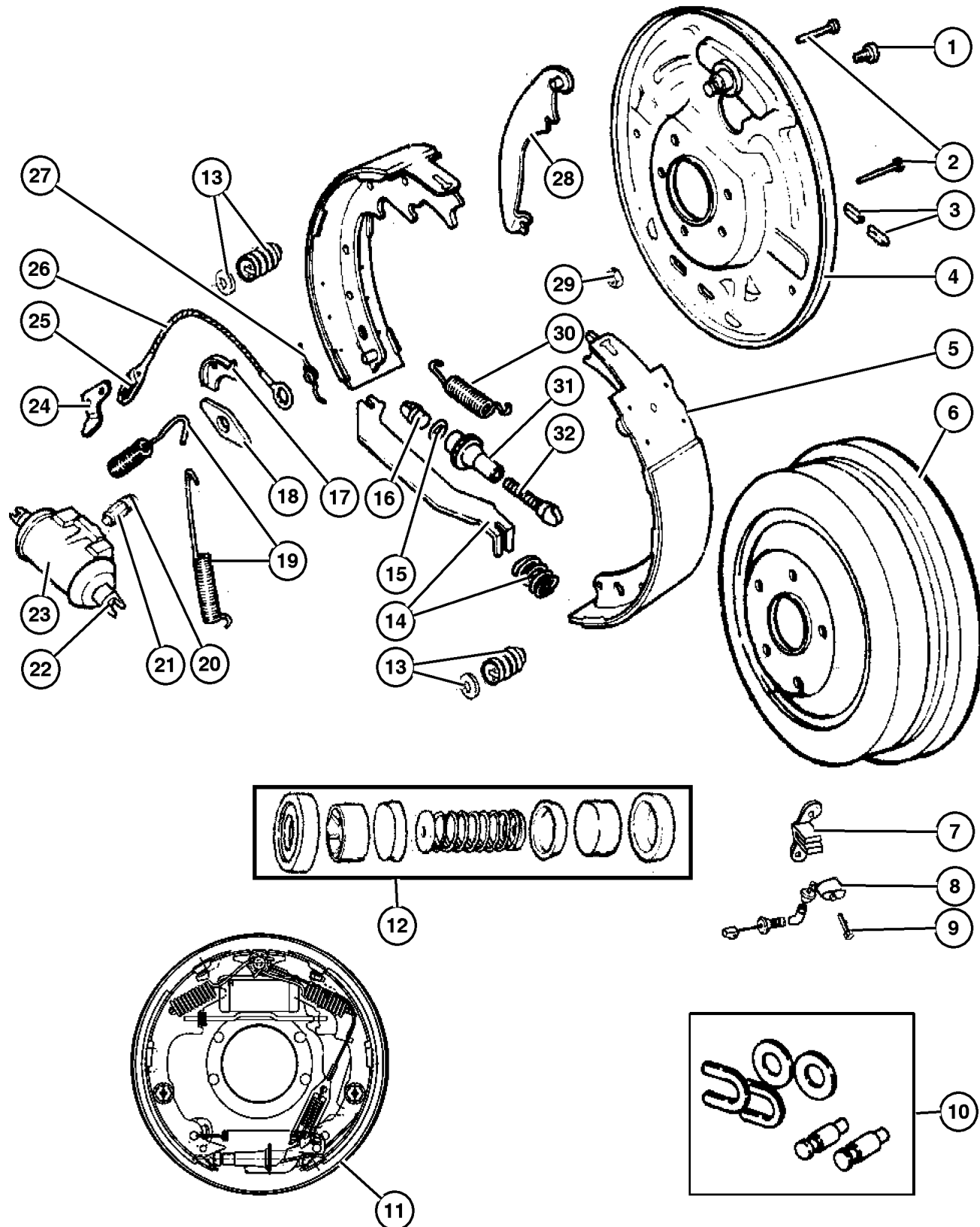
ENGINE  
ED1, ED0 = 2.4L DOHC  
ERH = 4.0L Power Tech

TRANSMISSION  
DGG, DGD = 32RH 3 Spd. Auto.  
DDD = 5 Speed HD Manual  
DGO = Auto. Trans.  
DBB = Manual Trans.  
DDK = 5 Speed Manual

AR = Use as required - = Non illustrated part # = New this model year

January 6, 2004

Brakes,Rear,Drum  
Figure 005-220



ITEM	PART NUMBER	QTY	LINE	SERIES	BODY	ENGINE	TRANS	TRIM	DESCRIPTION
------	-------------	-----	------	--------	------	--------	-------	------	-------------

Note:Sales Codes;

BGA=Brakes,- Power Front Disc/Rear Drums

BGK=Brakes - 4-Wheel Antilock

1	4423 678	2	J		77				BOLT, Wheel Cylinder Mounting
		2	U		77				Mounting
2	2260 548	2	J		77				PIN, Brake Shoe Hold Down
		2	U		77				
3	4762 126	2	J		78				PLUG, Brake Adjusting Hole
	5018 557AA	1	J		77				
		1	U		77				
4	5017 760AA	1	J		77				PLATE, Brake Backing [BGA], Right
	5017 761AA	1	J		77				[BGA], Left
	4856 718AB	1	J		77				[BGK], Right
	4856 719AB	1	J		77				[BGK], Left
	5017 760AA	1	U		77				[BGA], Right
	5017 761AA	1	U		77				[BGA], Left
5									SHOE AND LINING KIT, drum
	5019 536AA	1	J		77				
		1	U		77				
6									DRUM, Brake
	5200 5350	2	J		77				
		2	U		77				
7									BRACKET, Brake Sensor [BGK], Right
	5200 7804	1	J		77				
	5200 7805	1	J		77				[BGK], Left
8									SENSOR, Anti-Lock Brakes [BGK], Left
	5602 7729	1	J		77				
	5602 7728	1	J		77				[BGK], Right
9	5016 372AA	2	J						BOLT
10									HARDWARE PACKAGE, Rear Brake
	4049 681	1	J		77				
		1	U		77				
11									BRAKE ASSEMBLY, Rear Drum
	52008 664AC	1	J		77				[BGA] Complete Less Drum, Right
	52008 665AC	1	J		77				[BGA] Complete Less Drum, Left
	52008 666AC	1	J		77				[BGK] Complete Less Drum, Right
	52008 667AC	1	J		77				[BGK] Complete Less Drum, Left

JEEP WRANGLER (TJ)

SERIES  
H = Sport  
L = SE  
M = X  
P = Sahara  
S = Rubicon

LINE  
J = Wrangler 4WD  
U = Wrangler 4WD (RHD)

BODY  
77 = 93.4 WB

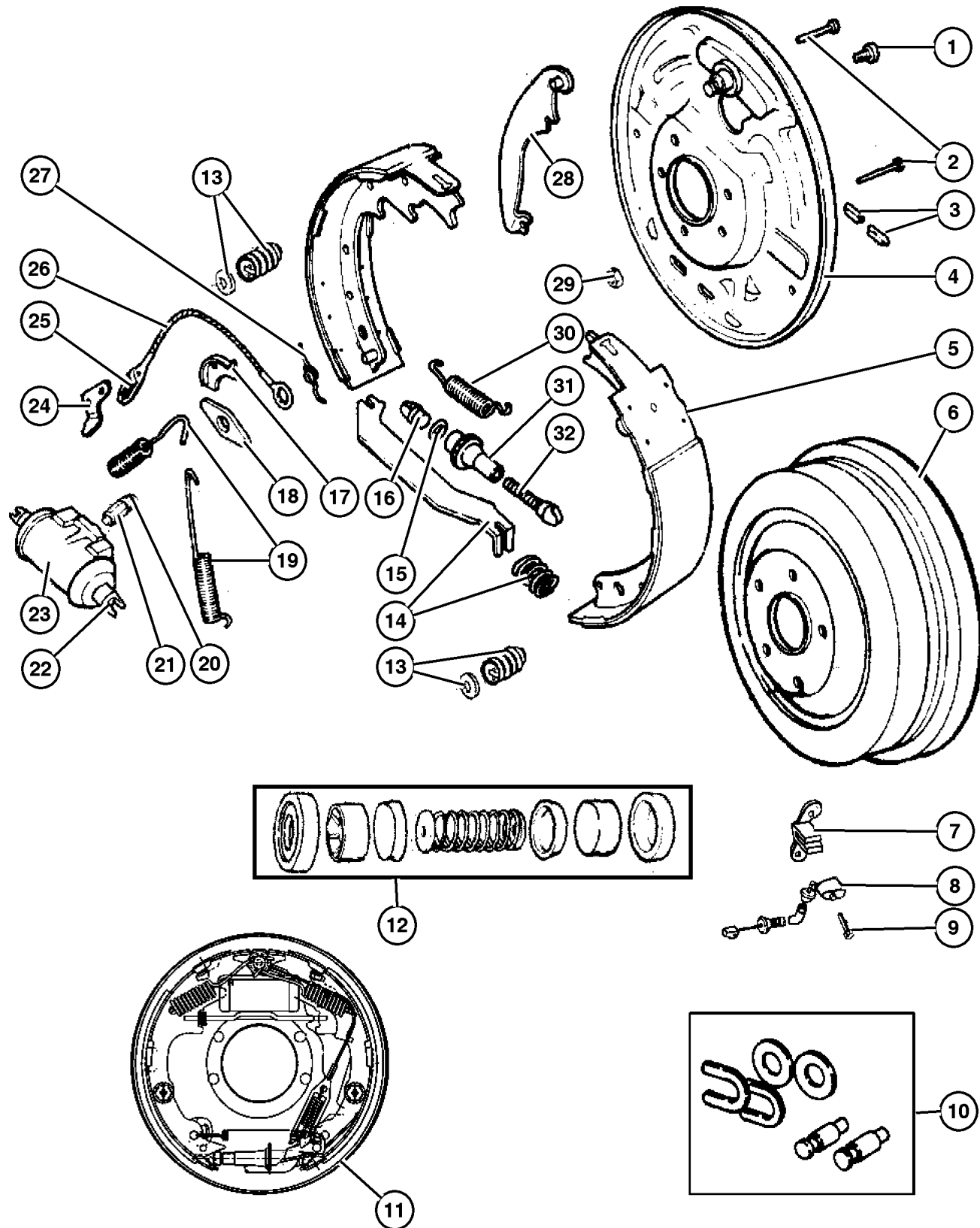
ENGINE  
ED1, ED0 = 2.4L DOHC  
ERH = 4.0L Power Tech

TRANSMISSION  
DGG, DGD = 32RH 3 Spd. Auto.  
DDD = 5 Speed HD Manual  
DGO = Auto. Trans.  
DBB = Manual Trans.  
DDK = 5 Speed Manual

AR = Use as required - = Non illustrated part # = New this model year

January 6, 2004

Brakes,Rear,Drum  
Figure 005-220



ITEM	PART NUMBER	QTY	LINE	SERIES	BODY	ENGINE	TRANS	TRIM	DESCRIPTION
	52008 664AC	1	U		77				[BGA] Complete Less Drum, Right
	52008 665AC	1	U		77				[BGA] Complete Less Drum, Left
12	5252 631	1	J		77				REPAIR KIT, Wheel Cylinder
		1	U		77				
13									SPRING, Brake Shoe Hold Down
	4313 062	2	J		77				
		2	U		77				
14									STRUT, Parking Brake
	4713 590	1	J		77				
		1	U		77				
15									WASHER, Adjuster Button
	6027 559	1	J		77				
		1	U		77				
16									BUTTON, Rear Brake Auto Adjust
	2944 586	1	J		77				
		1	U		77				
17									GUIDE, Brake Adjusting Cable
	4313 074	1	J		77				
		1	U		77				
18									PLATE, Brake Shoe Guide
	4313 075	1	J		77				
		1	U		77				
19									SPRING, Brake Shoe Return
	2881 676	2	J		77				
		2	U		77				
20									CAP, Bleeder
	4238 717	1	J		77				
		1	U		77				
21	J320 3313	1	J		77				SCREW, Bleeder
22									LINK, Brake, (NOT REQUIRED)
23									CYLINDER, Wheel
	4313 056	1	J		77				
		1	U		77				
24									LEVER, Park Brake Adjusting
	4761 759	1	J		77				
		1	U		77				
25									SPRING, Adjuster Cable
	3461 660	1	J		77				
		1	U		77				
26									CABLE, Brake Automatic Adjuster

JEEP WRANGLER (TJ)

SERIES  
H = Sport  
L = SE  
M = X  
P = Sahara  
S = Rubicon

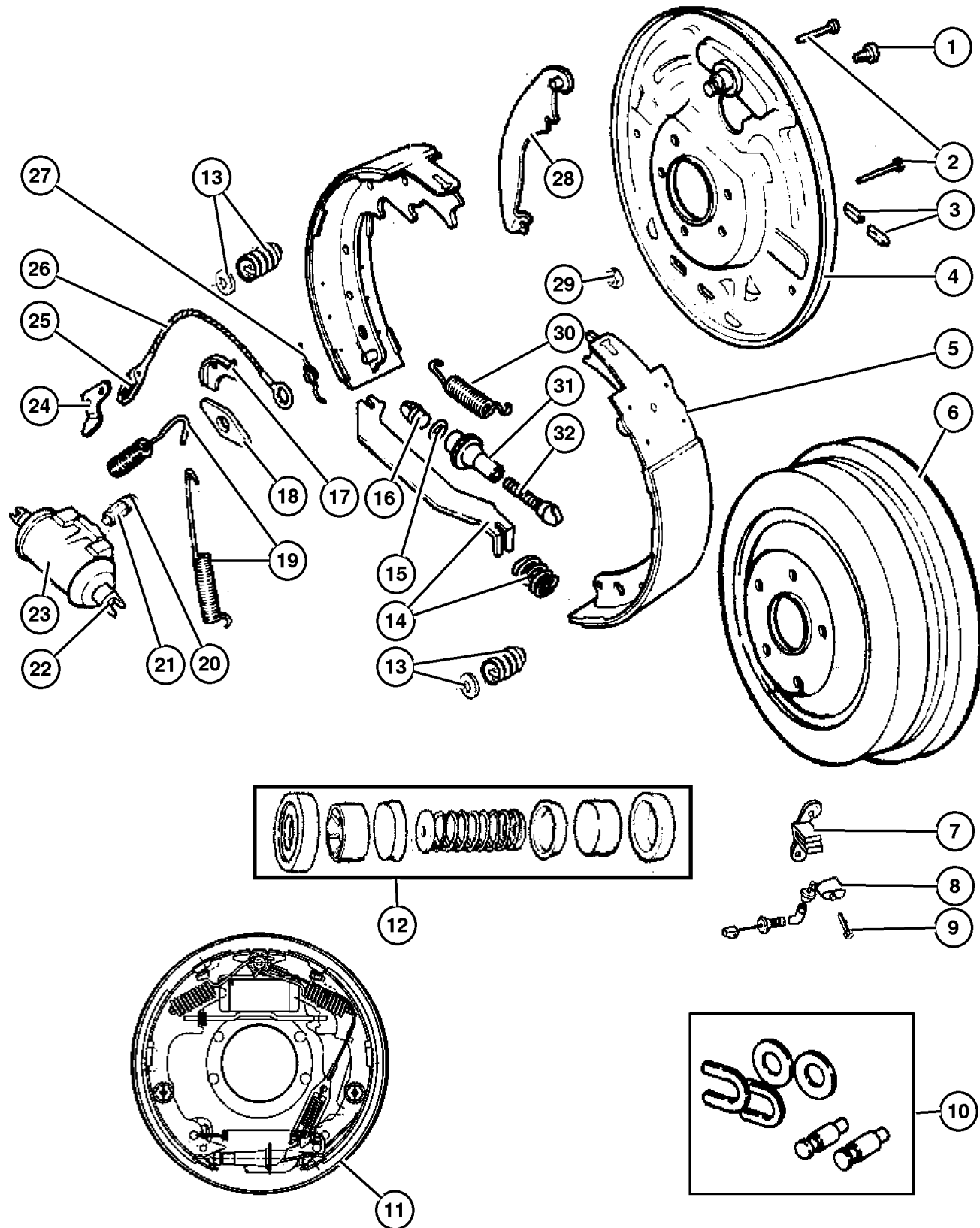
LINE  
J = Wrangler 4WD  
U = Wrangler 4WD (RHD)

BODY  
77 = 93.4 WB

ENGINE  
ED1, ED0 = 2.4L DOHC  
ERH = 4.0L Power Tech

TRANSMISSION  
DGG, DGD = 32RH 3 Spd.  
Auto.  
DDD = 5 Speed HD Manual  
DGO = Auto. Trans.  
DBB = Manual Trans.  
DDK = 5 Speed Manual

Brakes,Rear,Drum  
Figure 005-220



ITEM	PART NUMBER	QTY	LINE	SERIES	BODY	ENGINE	TRANS	TRIM	DESCRIPTION
	3461 662	1	J		77				
27		1	U		77				SPRING, Brake Auto Adjuster Lever
	2944 581	1	J		77				Left
	2944 580	1	J		77				Right
28		1	U		77				LEVER, Park Brake
	2944 581	1	J		77				Left
	2944 580	1	J		77				Right
	4313 810	1	J		77				Right
	4313 811	1	J		77				Left
	4313 810	1	U		77				Left
	4313 810	1	U		77				Right
29									NUT
	6034 988	8	J		77				Backing Plate to Axle Housing, Mounting
		8	U		77				Mounting
30									SPRING, Brake Shoe to Shoe
	4423 085	1	J		77				
		1	U		77				
31									NUT, Rear Brake Auto Adjust Pivot
	2944 692	1	J		77				Right
	2944 693	1	J		77				Left
		1	U		77				Left
	2944 692	1	U		77				Right
32									SCREW, Brake Adjusting
	4423 898	1	J		77				Right
	4423 899	1	J		77				Left
	4423 898	1	U		77				Right
	4423 899	1	U		77				Left
-33									SCREW, Brake Adjusting
	4423 900	1	J		77				Consists of Items 15,16,31,32, Right
	4423 901	1	J		77				Consists of Items 15,16,31,32, Left

JEEP WRANGLER (TJ)

SERIES	LINE	BODY	ENGINE	TRANSMISSION
H = Sport	J = Wrangler 4WD	77 = 93.4 WB	ED1, ED0 = 2.4L DOHC	DGG, DGD = 32RH 3 Spd. Auto.
L = SE	U = Wrangler 4WD (RHD)		ERH = 4.0L Power Tech	DDD = 5 Speed HD Manual
M = X				DG0 = Auto. Trans.
P = Sahara				DBB = Manual Trans.
S = Rubicon				DDK = 5 Speed Manual

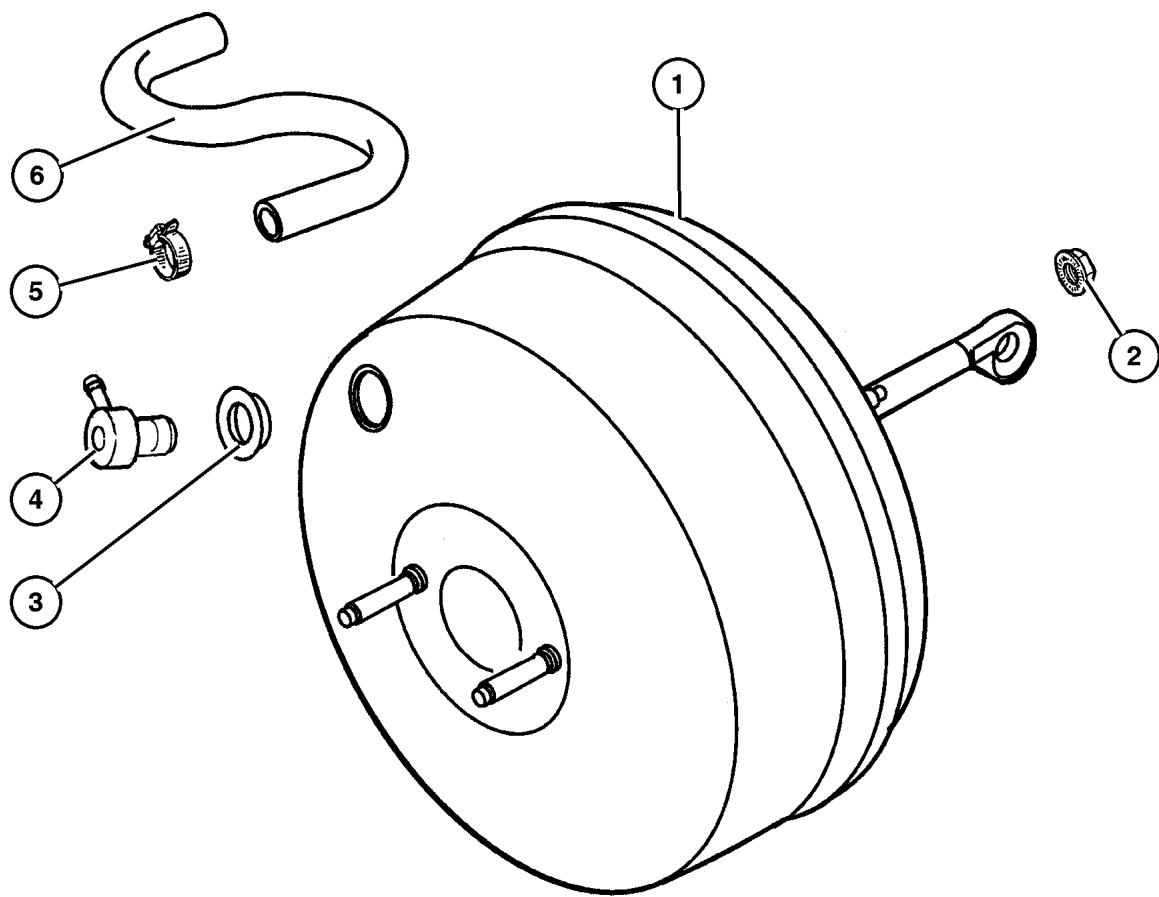
AR = Use as required - = Non illustrated part # = New this model year

January 6, 2004



**Power Brake Booster  
Figure 005-310**

ITEM	PART NUMBER	QTY	LINE	SERIES	BODY	ENGINE	TRANS	TRIM	DESCRIPTION
Note:Sales Codes;									
[EP0]=Engines - All 2.5L 4 Cylinder Gas									
[ER0]=Engines - All 4.0L 6 Cylinder Gas									
1	4798 158AC	1							BOOSTER, Power Brake
2	J400 3909	4							NUT, Hex Flange With Serration, Booster to Dash, Mounting
3	4883 813AA	1							GROMMET, Brake Booster Check Valve
4	4584 098	1							VALVE, Brake Booster Check
5	2448 770	2							CLAMP, Hose
6									HOSE, Brake Booster
	52128 433AC	1	J						[ED0]
	3879 277	1	J						[ER0]
	52128 389AA	1	U						[ER0]

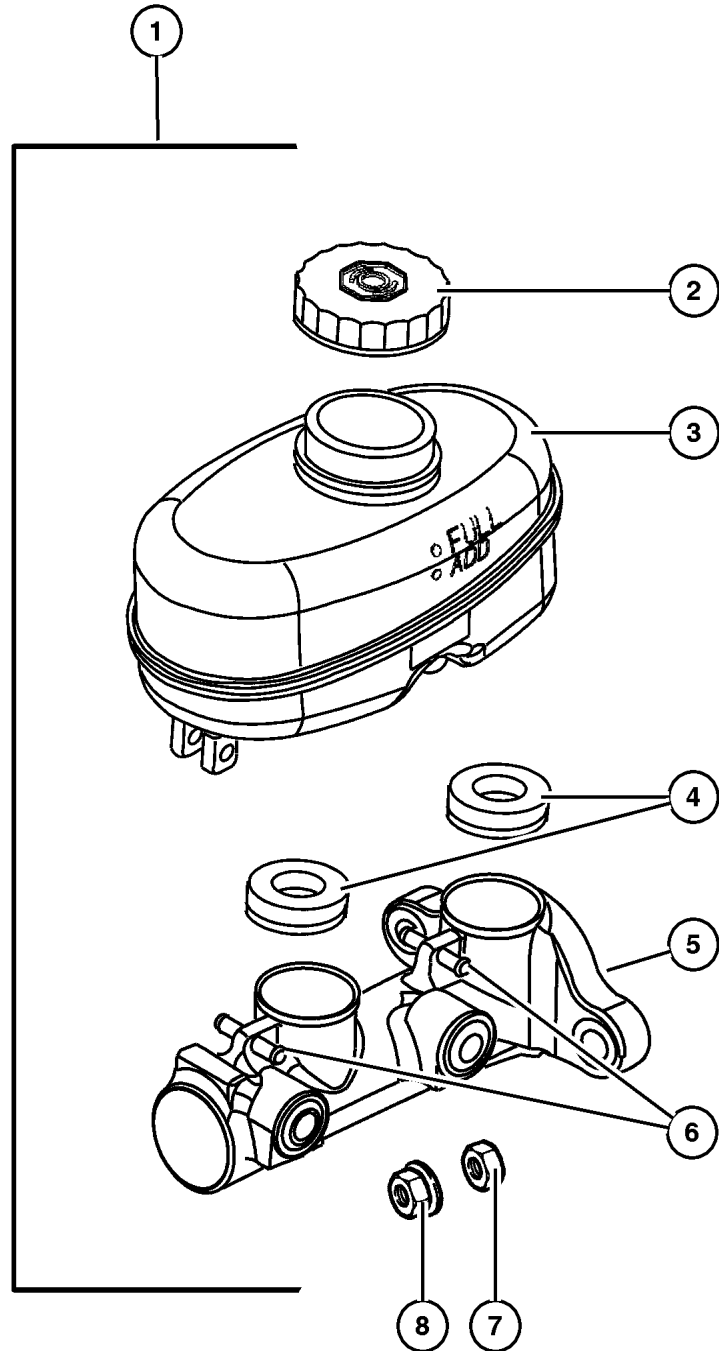


<b>JEEP WRANGLER (TJ)</b>				
SERIES	LINE	BODY	ENGINE	TRANSMISSION
H = Sport	J = Wrangler 4WD	77 = 93.4 WB	ED1, ED0 = 2.4L DOHC	DGG, DGD = 32RH 3 Spd. Auto.
L = SE	U = Wrangler 4WD (RHD)		ERH = 4.0L Power Tech	DDD = 5 Speed HD Manual
M = X				DG0 = Auto. Trans.
P = Sahara				DBB = Manual Trans.
S = Rubicon				DDK = 5 Speed Manual

AR = Use as required - = Non illustrated part # = New this model year

January 6, 2004

**Master Cylinder  
Figure 005-410**



ITEM	PART NUMBER	QTY	LINE	SERIES	BODY	ENGINE	TRANS	TRIM	DESCRIPTION
1	4798 157	1							MASTER CYLINDER, Brake
2	4683 656	1							CAP, Master Cylinder Reservoir
3	4761 943	1							RESERVOIR, Brake Master Cylinder
4	4723 389	2							GROMMET, Master Cylinder Reservoir
5	4723 395	1							SEAL, Master Cylinder To Booster
6	4723 394	2							PIN, Master Cylinder Reservoir
7	6502 524	2							NUT, Hex Lock, M8x1.25, Master Cylinder to Brake Booster Stud, Mounting
8	3420 1711	2							NUT, Hex Flange, M8x1.25, Combination Valve Bracket to Master Cylinder Stud, Mounting

**JEEP WRANGLER (TJ)**

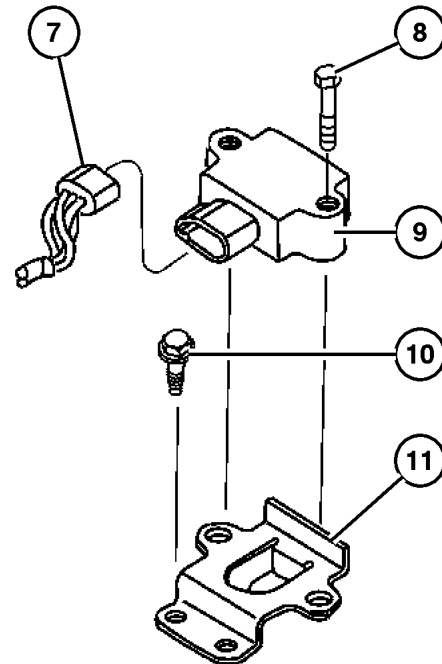
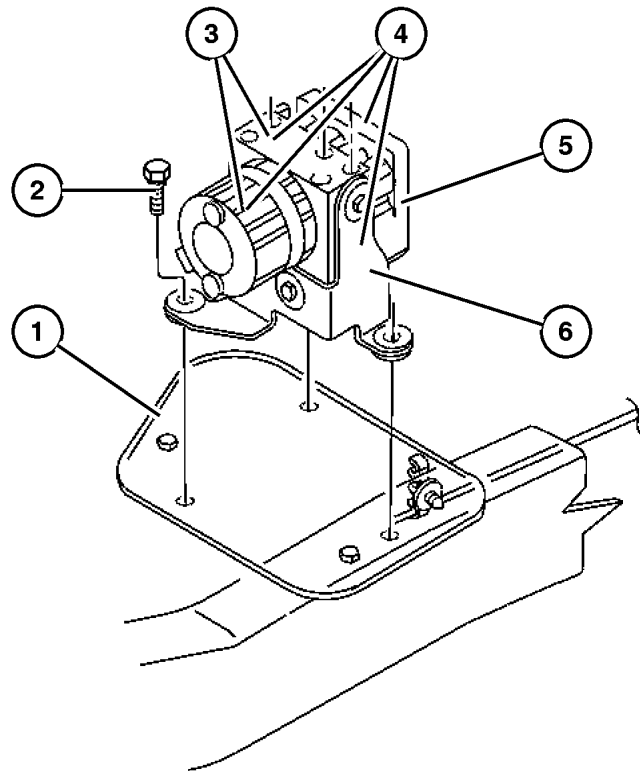
SERIES	LINE	BODY	ENGINE	TRANSMISSION
H = Sport	J = Wrangler 4WD	77 = 93.4 WB	ED1, ED0 = 2.4L DOHC	DGG, DGD = 32RH 3 Spd. Auto.
L = SE	U = Wrangler 4WD (RHD)		ERH = 4.0L Power Tech	DDD = 5 Speed HD Manual
M = X				DG0 = Auto. Trans.
P = Sahara				DBB = Manual Trans.
S = Rubicon				DDK = 5 Speed Manual

AR = Use as required - = Non illustrated part # = New this model year

January 6, 2004

## Hydraulic Control Unit, Anti-Lock Brake Figure 005-510

ITEM	PART NUMBER	QTY	LINE	SERIES	BODY	ENGINE	TRANS	TRIM	DESCRIPTION
1									BRACKET, abs control unit
	55176 141AB	1	J						Tray
	5517 6142	1	U		77				Tray
2	3420 1888	3							SCREW, Hex Head, ABS, Mounting
3	5073 778AA	1							HYDRAULIC CONTROL UNIT
4	52128 487AA	1							CONTROL UNIT, Anti-Lock Brake, Complete Assembly, Includes Items 3,5,6
5	5073 793AA	1							MODULE, Anti-lock Brakes
6	5066 564AA	1							BRACKET, Brake Control Unit, Mounting
7									WIRING, Engine Compartment, See Group 8, (NOT SERVICED) (Not Serviced)
8	6503 343	2							SCREW, ABS Acceleration Switch, Mounting
9	56053 025AA	1							SWITCH, ABS Acceleration
10									SCREW, Hex Flange Head Tapping, .190-16x.750, (NOT SERVICED) (Not Serviced)
11	56053 026AA	1							BRACKET, Order Item 9, ABS Acceleration Switch, Mounting



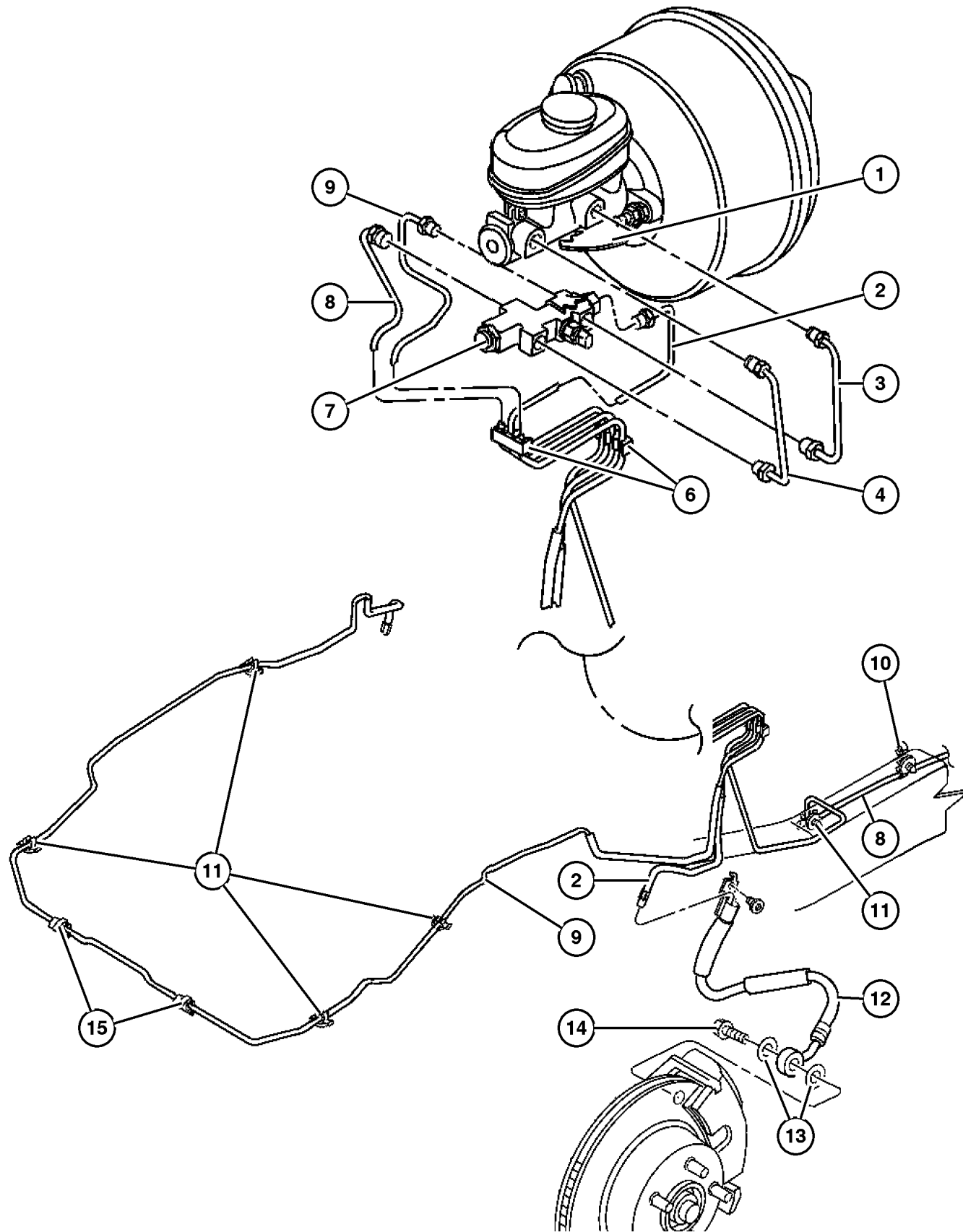
### JEEP WRANGLER (TJ)

SERIES	LINE	BODY	ENGINE	TRANSMISSION
H = Sport	J = Wrangler 4WD	77 = 93.4 WB	ED1, ED0 = 2.4L DOHC	DGG, DGD = 32RH 3 Spd. Auto.
L = SE	U = Wrangler 4WD (RHD)		ERH = 4.0L Power Tech	DDD = 5 Speed HD Manual
M = X				DG0 = Auto. Trans.
P = Sahara				DBB = Manual Trans.
S = Rubicon				DDK = 5 Speed Manual

AR = Use as required - = Non illustrated part # = New this model year

January 6, 2004

**Brake Lines and Hoses,Front,LHD Without ABS  
Figure 005-520**



ITEM	PART NUMBER	QTY	LINE	SERIES	BODY	ENGINE	TRANS	TRIM	DESCRIPTION
1	5212 7970	1			77				BRACKET, Brake Valve,
2	52008 443AB	1	J						Proportioning Valve, Mounting
3	52008 399AB	1							TUBE, Brake, Proportioning Valve to Front Brake Hose, Left
4	52008 398AB	1							TUBE, Brake, Master Cylinder to Proportioning Valve, Secondary
-5	6506 182AA	1			77				TUBE, Brake, Master Cylinder to Proportioning Valve, Primary
6	52128 245AB	2							NUT, Tube, M10 x 1.00, For Item 4
	6506 155AA	2							CLIP, Brake Tube
7									Line Spacer-Up To 11-19-03, Mounting
									Line Spacer-From 11-20-03, Mounting
	5083 808AA	1			77				VALVE, Proportioning
	#56052 348AA	1	J		78				
8	52008 385AD	1	J		77				TUBE, Brake
	#56052 350AA	1	J		78				Proportioning Valve to Brake Hose, Rear
9	52008 442AD	1	J						Proportioning Valve to Brake Hose, Rear
10									TUBE, Brake, Proportioning Valve to Front Brake Hose, Right
11									CLIP, Quad Tubes, Serviced in Fuel Bundle Assembly, (NOT SERVICED) (Not Serviced)
	3420 2688	5	J						CLIP, Latch&Line
		1	U						Mounting
12	52008 674AC	1							HOSE, Brake
	52008 675AC	1							Right
13	6035 886	4							Left
14	6035 832	2							GASKET, Brake Hose To Caliper, Mounting
15	5212 8175	2							BOLT, Banjo, Brake Hose to Caliper, Mounting
									CLIP, Brake Attaching Tube, 3 Way, Mounting

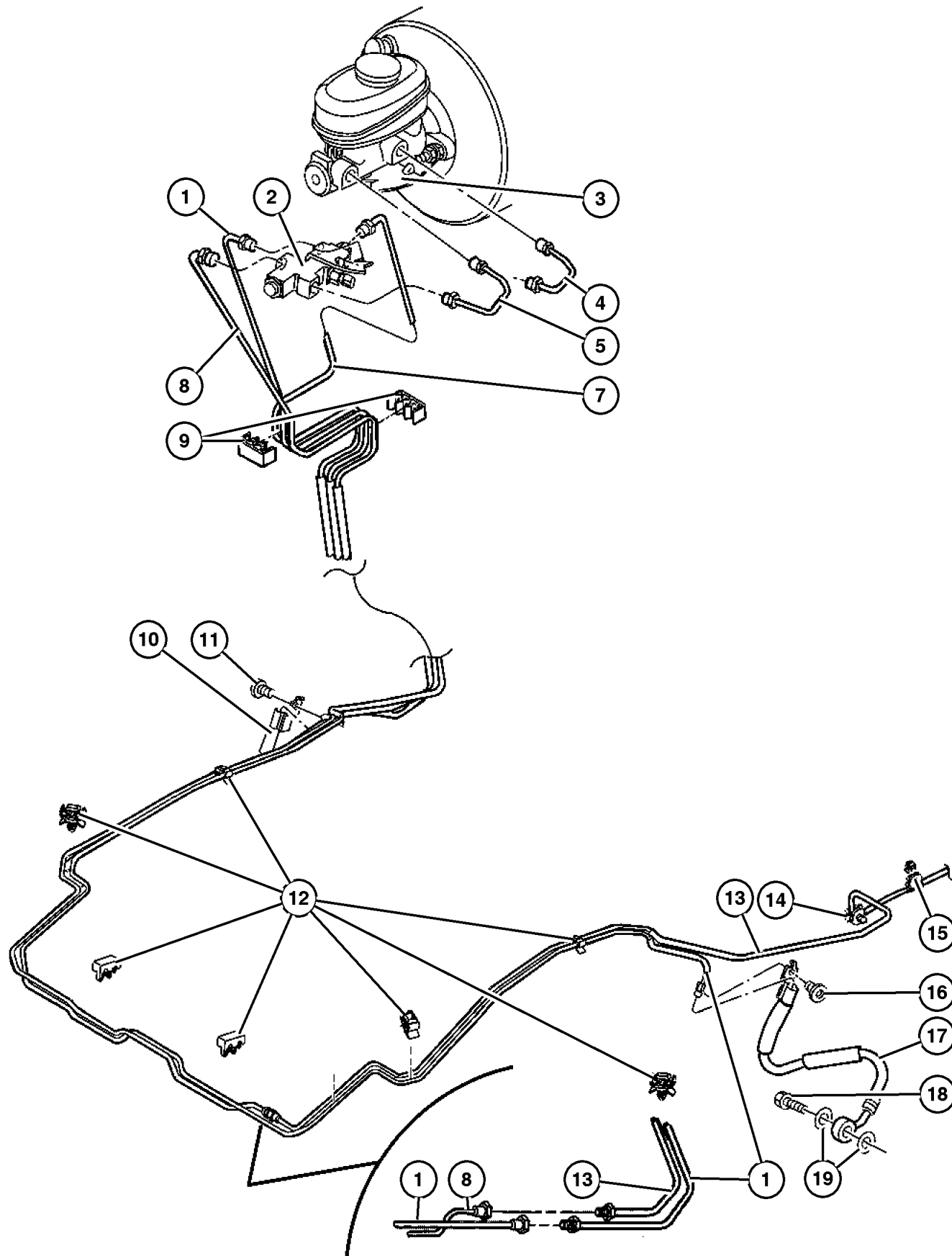
**JEEP WRANGLER (TJ)**

SERIES	LINE	BODY	ENGINE	TRANSMISSION
H = Sport	J = Wrangler 4WD	77 = 93.4 WB	ED1, ED0 = 2.4L DOHC	DGG, DGD = 32RH 3 Spd. Auto.
L = SE	U = Wrangler 4WD (RHD)		ERH = 4.0L Power Tech	DDD = 5 Speed HD Manual
M = X				DG0 = Auto. Trans.
P = Sahara				DBB = Manual Trans.
S = Rubicon				DDK = 5 Speed Manual

AR = Use as required - = Non illustrated part # = New this model year

January 6, 2004

**Brake Lines and Hoses,Front,RHD,Without ABS**  
**Figure 005-530**



ITEM	PART NUMBER	QTY	LINE	SERIES	BODY	ENGINE	TRANS	TRIM	DESCRIPTION
1	52009 095AE	1	U						TUBE, Brake, Proportioning Valve to Brake Hose, Left
2	5083 808AA	1			77				VALVE, Proportioning
3	5212 7970	1			77				BRACKET, Brake Valve
4	52008 399AB	1							TUBE, Brake, Secondary
5	52008 398AB	1							TUBE, Brake, Primary
-6	6506 182AA	1			77				NUT, Tube, M10 x 1.00 For Item 5
		1	U		77				For Item 8
7	52009 094AC	1	U						TUBE, Brake, Proportioning Valve to Brake Hose, Right
8	52008 930AD	1	U						TUBE, Brake, Proportioning Valve to Tube Coupling, Rear
9	52128 245AB	2							CLIP, Brake Tube Line Spacer-Up To 11-19-03, Mounting
	6506 155AA	2							Line Spacer-From 11-20-03, Mounting
10	52008 674AC	1							HOSE, Brake, Right
11	3420 1670	2							SCREW, Pan Head, M8-1.25x13, Hose to Frame, Mounting
12	5212 8175	2							CLIP, Brake Attaching Tube, 3 Way To Front Crossmember, Mounting
		4	U						To Frame, Mounting
13	52008 982AG	1	U		77				TUBE, Brake, Tube Coupling to Brake Hose, Rear
14	3420 2688	1	U						CLIP, Latch&Line, 1 Way, Mounting
15									CLIP, Quad Tubes, Serviced in Fuel Chassis Bundle, (NOT SERVICED) (Not Serviced)
16	3420 1670	2							SCREW, Pan Head, M8-1.25x13, Hose to Frame, Mounting
17	52008 675AC	1							HOSE, Brake, Left
18	6035 832	2							BOLT, Banjo, Brake Hose to Caliper, Mounting
19	6035 886	4			77				GASKET, Brake Hose To Caliper

**JEEP WRANGLER (TJ)**

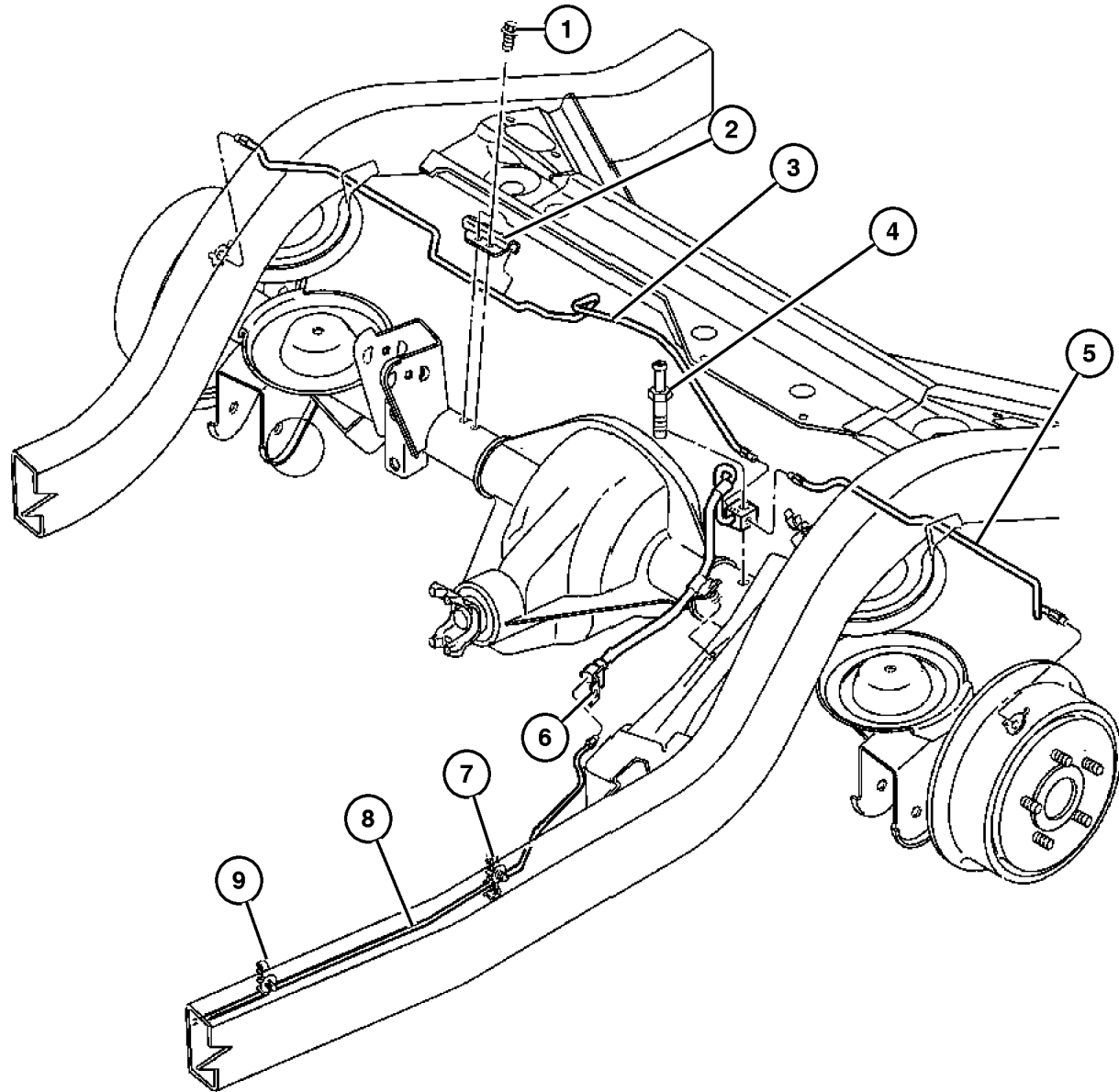
SERIES	LINE	BODY	ENGINE	TRANSMISSION
H = Sport	J = Wrangler 4WD	77 = 93.4 WB	ED1, ED0 = 2.4L DOHC	DGG, DGD = 32RH 3 Spd. Auto.
L = SE	U = Wrangler 4WD (RHD)		ERH = 4.0L Power Tech	DDD = 5 Speed HD Manual
M = X				DG0 = Auto. Trans.
P = Sahara				DBB = Manual Trans.
S = Rubicon				DDK = 5 Speed Manual

AR = Use as required - = Non illustrated part # = New this model year

January 6, 2004

**Brake Lines and Hoses,Rear,LHD,RHD,Without ABS  
Figure 005-540**

ITEM	PART NUMBER	QTY	LINE	SERIES	BODY	ENGINE	TRANS	TRIM	DESCRIPTION
1	3420 1912	2							SCREW, Self Tapping, M6x1x14, Brake Tube Shield to Axle Tube, Mounting
2	5212 8189	1							SHIELD, Brake Line, Rear Axle TUBE, Brake
3	52008 402AD	1			77				[DRJ], Right
	52009 092AE	1							[DRK,BGA], Right
4	4137 696	1							SCREW, Brake Tee, .437-20x2.07, Axle Vent and Brake Tee, Mounting
5	52008 403AD	1			77				TUBE, Brake
	52009 093AE	1							[DRJ], Left
									[DRK,BGA], Left
6	5200 8391	1							HOSE, Brake, Rear
7									CLIP, Quad Tubes, Purchase Fuel Bundle Assembly, (NOT SERVICED) (Not Serviced)
8	52008 385AD	1	J		77				TUBE, Brake
	52008 982AG	1	U		77				Rear
9									CLIP, Five Way Fastener, Purchase Fuel Bundle Assembly, (NOT SERVICED) (Not Serviced)



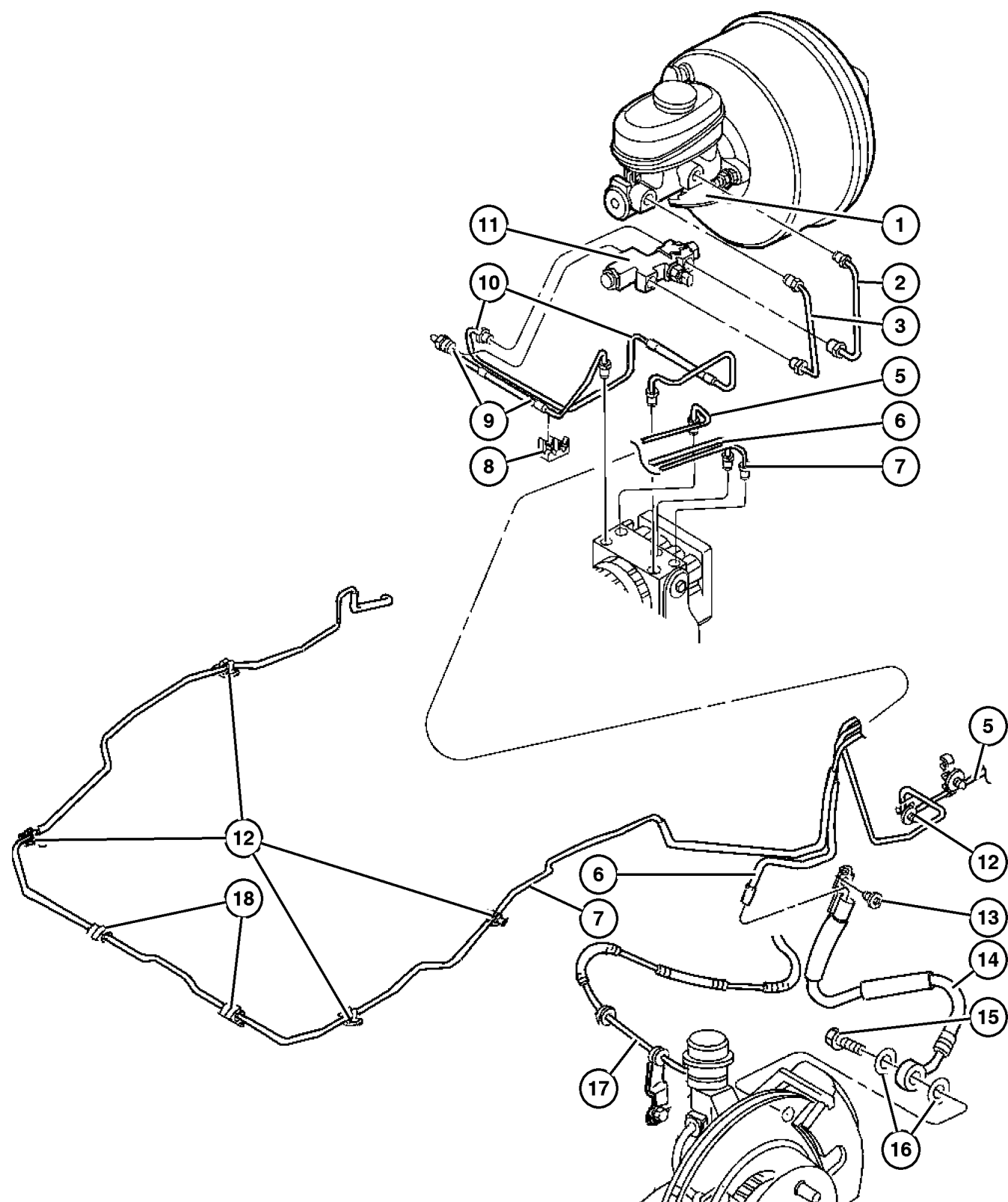
**JEEP WRANGLER (TJ)**

SERIES	LINE	BODY	ENGINE	TRANSMISSION
H = Sport	J = Wrangler 4WD	77 = 93.4 WB	ED1, ED0 = 2.4L DOHC	DGG, DGD = 32RH 3 Spd. Auto.
L = SE	U = Wrangler 4WD (RHD)		ERH = 4.0L Power Tech	DDD = 5 Speed HD Manual
M = X				DG0 = Auto. Trans.
P = Sahara				DBB = Manual Trans.
S = Rubicon				DDK = 5 Speed Manual

AR = Use as required - = Non illustrated part # = New this model year

January 6, 2004

**Brake Lines and Hoses, Front, LHD With ABS**  
**Figure 005-550**



ITEM	PART NUMBER	QTY	LINE	SERIES	BODY	ENGINE	TRANS	TRIM	DESCRIPTION
1	5212 7970	1			77				BRACKET, Brake Valve, Mounting
2	52008 399AB	1							TUBE, Brake, Master Cylinder to Proportioning Valve, Secondary
3	52008 398AB	1							TUBE, Brake, Master Cylinder to Proportioning Valve, Primary
-4	6506 182AA	1			77				NUT, Tube, M10 x 1.00 For Item 3
		1	J		77				For Item 7
		1	J		77				For Item 10
5	52128 482AD	1	J		77				TUBE, Brake, HCU to Brake Hose, Rear
6	52128 484AB	1	J		77				TUBE, Brake, HCU to Brake Hose, Left
7	52128 483AB	1	J		77				TUBE, Brake, HCU to Brake Hose, Right
8	5200 8940	1							CLIP, Brake Line
9	52128 486AB	1	J		77				HOSE, Brake, Proportioning Valve to HCU, Primary
10	52128 485AB	1	J		77				HOSE, Brake, Proportioning Valve to HCU, Secondary
11	5083 807AA	1			77				VALVE, Proportioning
12	3420 2688	5	J						CLIP, Latch&Line, Brake Line to Frame, Mounting
13	3420 1670	2							SCREW, Pan Head, M8-1.25x13, Front Brake Hose to Frame, Mounting
14	52008 674AC	1							HOSE, Brake Right
	52008 675AC	1							Left
15	6035 832	2							BOLT, Banjo, To Caliper, Mounting
16	6035 886	4			77				GASKET, Brake Hose To Caliper, Mounting
17	5602 7727	2	J						SENSOR, Anti-Lock Brakes, Right or Left
18	5212 8175	2							CLIP, Brake Attaching Tube, 3 Way, Double Tube Brake line, Mounting
-19	4641 780	2							STRAP, Tie, Speed Sensor to Convolute Tubing, Right or Left

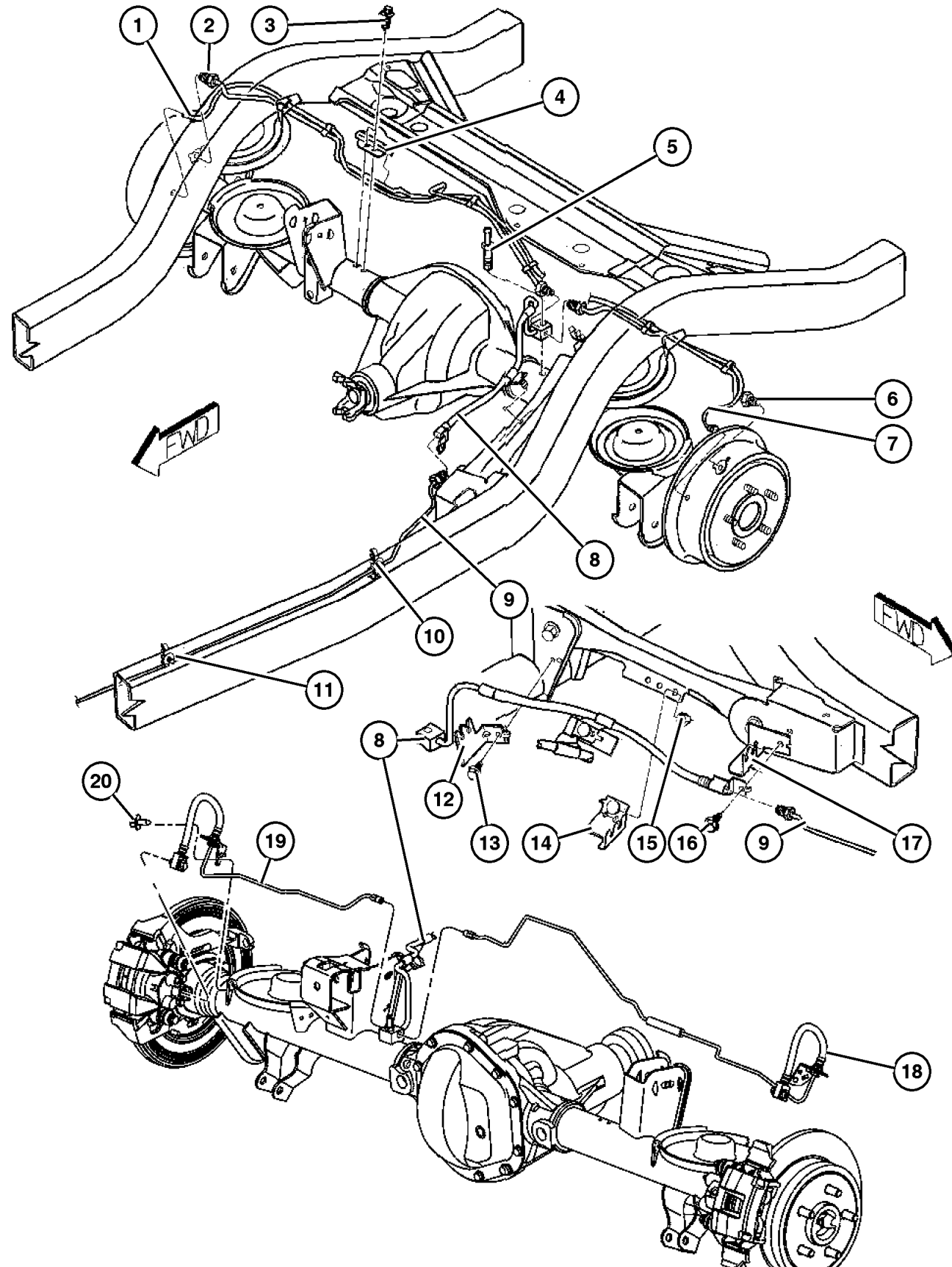
**JEEP WRANGLER (TJ)**

SERIES	LINE	BODY	ENGINE	TRANSMISSION
H = Sport	J = Wrangler 4WD	77 = 93.4 WB	ED1, ED0 = 2.4L DOHC	DGG, DGD = 32RH 3 Spd. Auto.
L = SE	U = Wrangler 4WD (RHD)		ERH = 4.0L Power Tech	DDD = 5 Speed HD Manual
M = X				DG0 = Auto. Trans.
P = Sahara				DBB = Manual Trans.
S = Rubicon				DDK = 5 Speed Manual

AR = Use as required - = Non illustrated part # = New this model year

January 6, 2004

## Brake Lines and Hoses, Rear, LHD With ABS Figure 005-560



ITEM	PART NUMBER	QTY	LINE	SERIES	BODY	ENGINE	TRANS	TRIM	DESCRIPTION
1	5602 7728	1	J						SENSOR, Anti-Lock Brakes, Right
2	52009 092AE	1							TUBE, Brake, Right
3	3420 1912	2							SCREW, Self Tapping, M6x1x14, Brake Line Shield, Mounting
4	5212 8189	1							SHIELD, Brake Line
5	4137 696	1							SCREW, Brake Tee, .437-20x2.07
6	52009 093AE	1							TUBE, Brake, Left
7	5602 7729	1	J			77			SENSOR, Anti-Lock Brakes, Left
8	5200 8391	1							HOSE, Brake, Rear
9	52128 482AD	1	J			77			TUBE, Brake, HCU to Brake Hose, Rear
10									CLIP, Quad Tubes, Purchase Fuel Bundle Assembly, (NOT SERVICED) (Not Serviced)
11									CLIP, Five Way Fastener, Purchase Fuel Bundle Assembly, (NOT SERVICED) (Not Serviced)
12	5602 6757	1							BRACKET, Anti-Lock Brake Sensor, Mounting
13	3420 1912	4							SCREW, Self Tapping, M6x1x14, ABS Sensor Bracket, Mounting
14	5200 8920	1							BRACKET, ABS Sensor, Left
15	6101 695	1							NUT, Hex Flange Lock, Sensor Bracket to Control Arm, Mounting
16	6502 711	1							BOLT, ABS Sensor, Brake Hose Rear Control Arm, Mounting
17	5200 8919	1							BRACKET, ABS Sensor, Frame Rail Sensor Wire, Mounting
18	52128 430AC	1							HOSE, Brake, [BRW], Right
19	52128 431AB	1				77			HOSE, Brake, [BRW], Left
20	6102 142AA	2							SCREW, Hex Head, M6x1x15, Brake Tube to Spring Mount, Mounting

### JEEP WRANGLER (TJ)

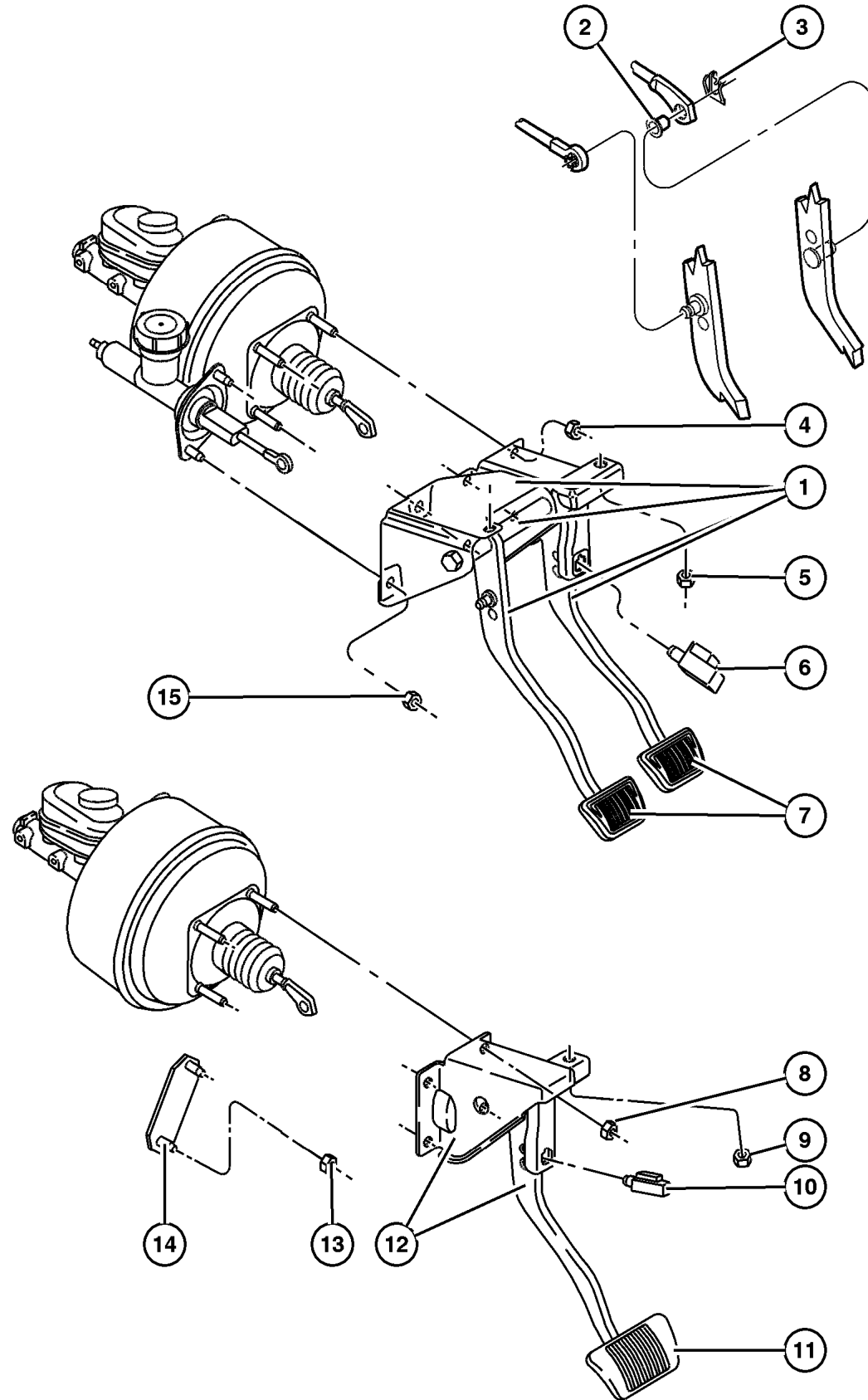
SERIES	LINE	BODY	ENGINE	TRANSMISSION
H = Sport	J = Wrangler 4WD	77 = 93.4 WB	ED1, ED0 = 2.4L DOHC	DGG, DGD = 32RH 3 Spd. Auto.
L = SE	U = Wrangler 4WD (RHD)		ERH = 4.0L Power Tech	DDD = 5 Speed HD Manual
M = X				DG0 = Auto. Trans.
P = Sahara				DBB = Manual Trans.
S = Rubicon				DDK = 5 Speed Manual

AR = Use as required - = Non illustrated part # = New this model year

January 6, 2004



**Brake Pedal,LHD  
Figure 005-610**



ITEM	PART NUMBER	QTY	LINE	SERIES	BODY	ENGINE	TRANS	TRIM	DESCRIPTION
Note:Sales Codes;									
[DBB]= All Manual Transmissions									
[DG0]=All Automatic Transmissions									
1	52128 017AB	1	J						PEDAL, Brake And Clutch, [DBB]
2	4446 361	1							BUSHING, Hydraulic Clutch Actuator
3	6035 334	1							CLIP, Brake Push Rod
4	J400 3909	4							NUT, Hex Flange With Serration, Booster to Dash, Mounting
5	J400 3909	2							NUT, Hex Flange With Serration, Brake Pedal Support Bracket, Mounting
6	4671 336	1							SWITCH, Stop Lamp
7	5200 2750	2	J						PAD, Pedal, [DBB]
8	J400 3909	4							NUT, Hex Flange With Serration, Booster to Dash, Mounting
9	J400 3909	1							NUT, Hex Flange With Serration, Brake Pedal Support Bracket, Mounting
10	4671 336	1							SWITCH, Stop Lamp
11	4779 027	1	J						PAD, Pedal, [DG0]
12	52129 008AE	1	J						PEDAL, Brake, [DG0]
13	J400 3909	2							NUT, Hex Flange With Serration, Clutch Master Cylinder Cover, Mounting
14	5210 4013	1							COVER, Master Cylinder, [DG0]
15	J400 3909	2							NUT, Hex Flange With Serration, Clutch Master Cylinder, Mounting
-16	4294 639	4	J						BUSHING, Clutch and Brake Pedal, For Pivot Shaft

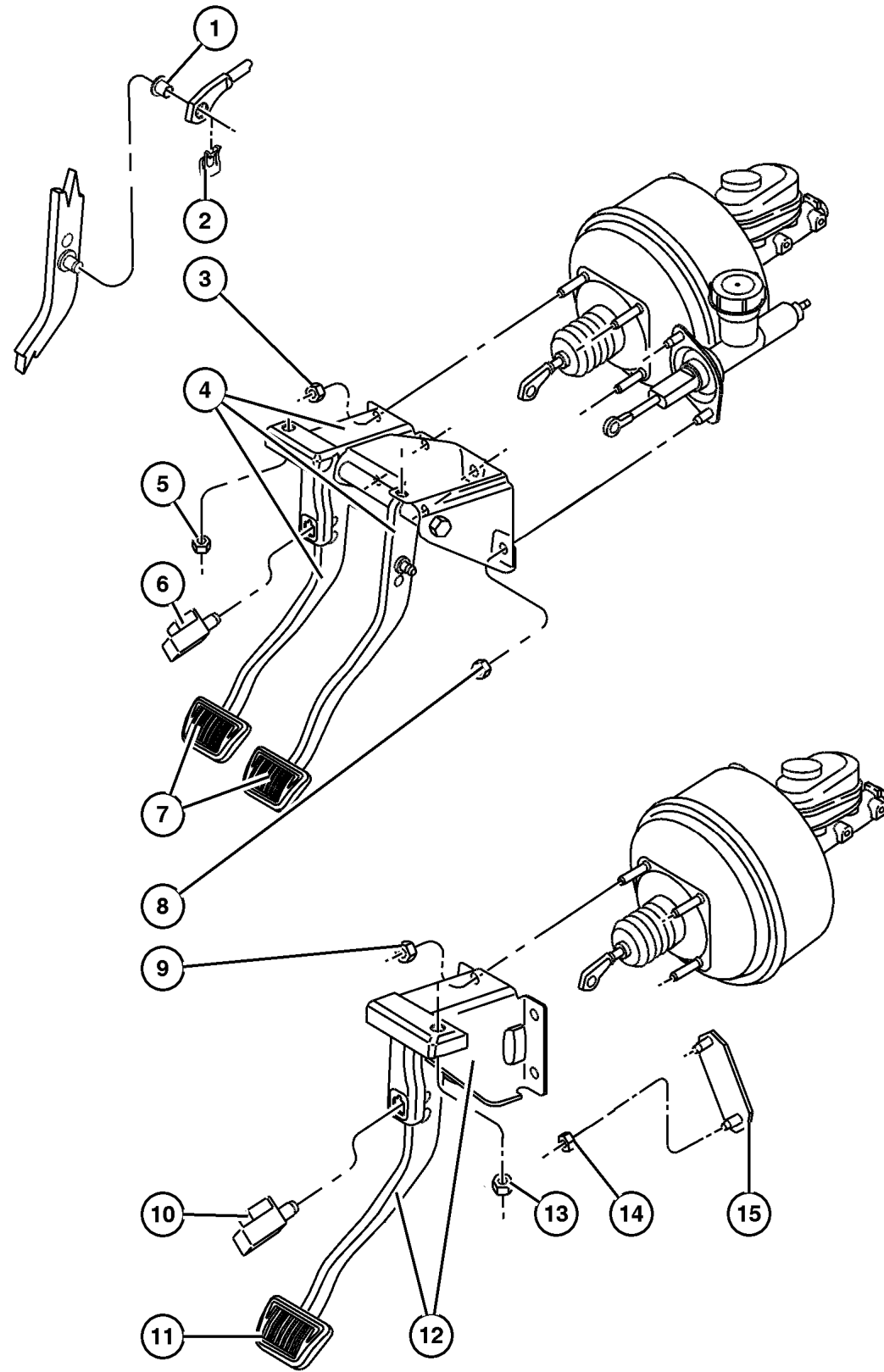
**JEEP WRANGLER (TJ)**

SERIES	LINE	BODY	ENGINE	TRANSMISSION
H = Sport	J = Wrangler 4WD	77 = 93.4 WB	ED1, ED0 = 2.4L DOHC	DGG, DGD = 32RH 3 Spd. Auto.
L = SE	U = Wrangler 4WD (RHD)		ERH = 4.0L Power Tech	DDD = 5 Speed HD Manual
M = X				DG0 = Auto. Trans.
P = Sahara				DBB = Manual Trans.
S = Rubicon				DDK = 5 Speed Manual

AR = Use as required - = Non illustrated part # = New this model year

January 6, 2004

Brake Pedal,RHD  
Figure 005-620



ITEM	PART NUMBER	QTY	LINE	SERIES	BODY	ENGINE	TRANS	TRIM	DESCRIPTION
1	4446 361	1							BUSHING, Hydraulic Clutch Actuator
2	6035 334	1							CLIP, Brake Push Rod
3	J400 3909	4							NUT, Hex Flange With Serration, Booster to Dash, Mounting
4	52128 052AB	1	U						PEDAL, Brake And Clutch, [DBB]
5	J400 3909	2							NUT, Hex Flange With Serration, Brake Pedal Support Bracket, Mounting
6	4671 336	1							SWITCH, Stop Lamp
7	5200 2750	2	U						PAD, Pedal, [DBB]
8	J400 3909	2							NUT, Hex Flange With Serration, Clutch Master Cylinder, Mounting
9	J400 3909	4							NUT, Hex Flange With Serration, Booster to Dash, Mounting
10	4671 336	1							SWITCH, Stop Lamp
11	4779 027	1	U						PAD, Pedal
12	52129 038AD	1	U						PEDAL, Brake, [DG0]
13	J400 3909	1							NUT, Hex Flange With Serration, Brake Pedal Support Bracket, Mounting
14	J400 3909	2							NUT, Hex Flange With Serration, Clutch Master Cylinder Cover, Mounting
15	5210 4013	1							COVER, Master Cylinder, [DG0]
-16	4294 639	4	U						BUSHING, Clutch and Brake Pedal, For Pivot Shaft

JEEP WRANGLER (TJ)

SERIES	LINE	BODY	ENGINE	TRANSMISSION
H = Sport	J = Wrangler 4WD	77 = 93.4 WB	ED1, ED0 = 2.4L DOHC	DGG, DGD = 32RH 3 Spd. Auto.
L = SE	U = Wrangler 4WD (RHD)		ERH = 4.0L Power Tech	DDD = 5 Speed HD Manual
M = X				DG0 = Auto. Trans.
P = Sahara				DBB = Manual Trans.
S = Rubicon				DDK = 5 Speed Manual

AR = Use as required - = Non illustrated part # = New this model year

January 6, 2004

# Group – 006

## Clutch

### GROUP 6 - Clutch

Illustration Title

Group-Fig. No.

#### Clutch

Clutch ..... Fig. 006-110

#### Clutch Housing

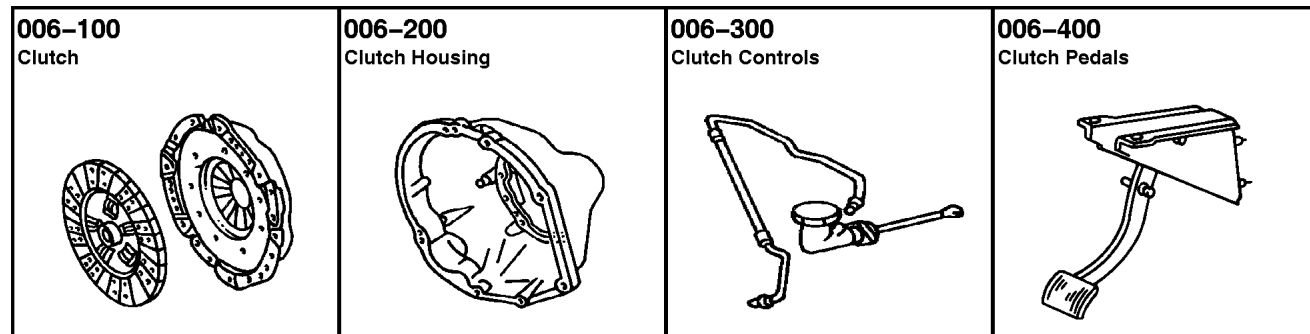
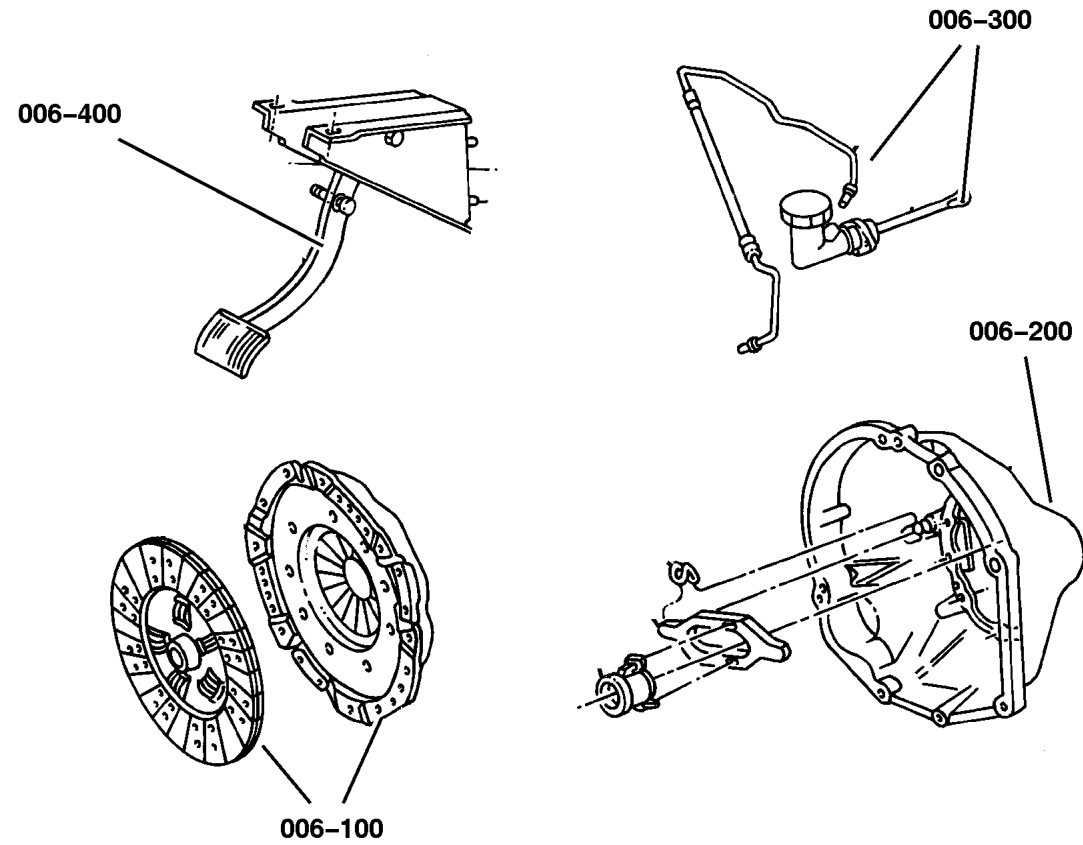
Housing & Pan, Clutch ..... Fig. 006-210

#### Clutch Controls

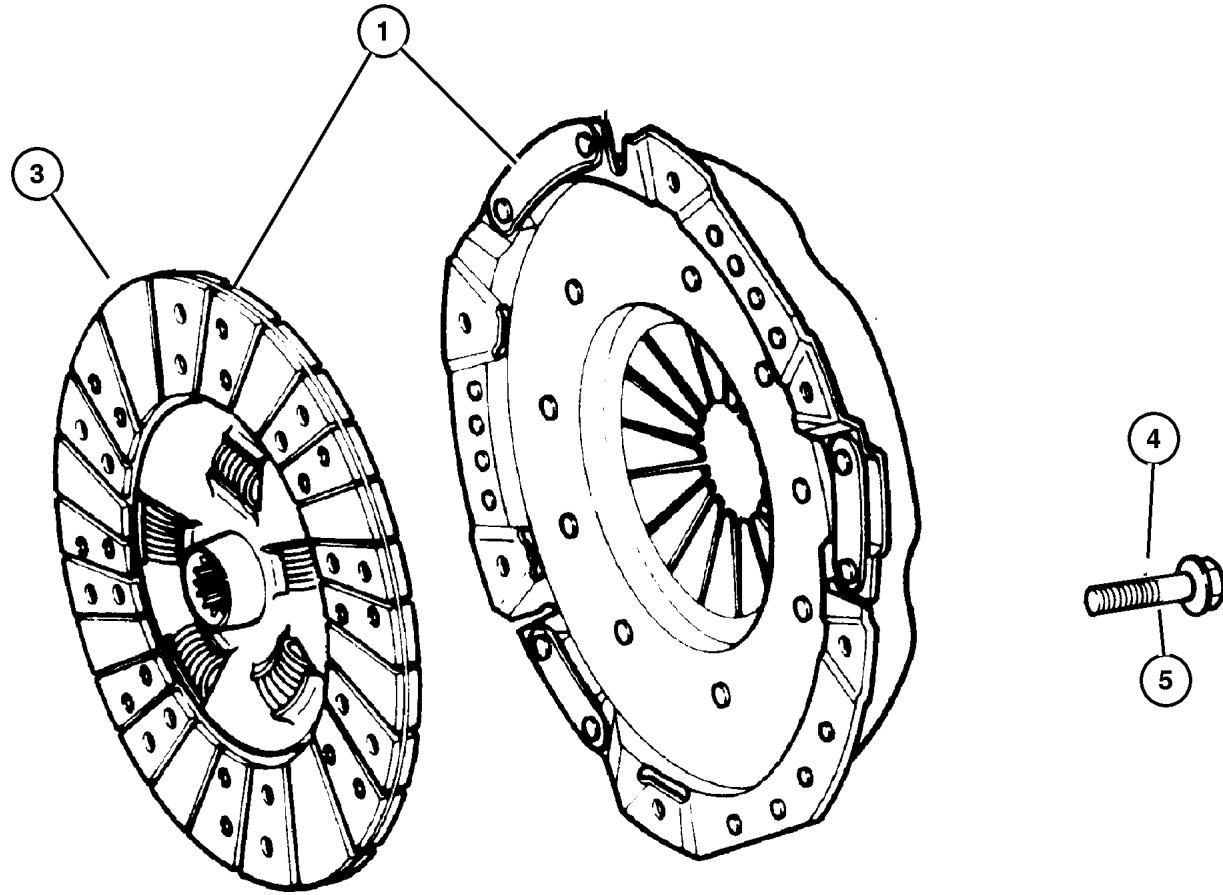
Control, Clutch ..... Fig. 006-310

#### Clutch Pedals

Pedal, Clutch ..... Fig. 006-410



## Clutch Figure 006-110



ITEM	PART NUMBER	QTY	LINE	SERIES	BODY	ENGINE	TRANS	TRIM	DESCRIPTION
------	-------------	-----	------	--------	------	--------	-------	------	-------------

**NOTE:**

Sales Codes

[DBB]=All Manual Transmissions

[DDD]=5 Speed Heavy Duty Manual Transmission

[ED0]=All 2.2,2.4,2.5, L 4 Cylinder Gas Engines

[ER0]=All 4.0L 6 Cylinder Engine

1	5015 606AB	1				ER0	DDD		CLUTCH PACKAGE
-2	52104 289AD	1				ED0	DBB		CLUTCH ASSY
3									DISC, Clutch
	52104 363AB	1				ER0	DDD		
	52104 581AC	1				ED0	DBB		
4	6035 626	6				ER0	DBB		BOLT, Hex Head, .375-16x.84, Clutch To Flywheel
5	6501 474	6				ED0	DBB		BOLT, Hex Head, M8x1.25x16, Clutch To Flywheel

**JEEP WRANGLER (TJ)**

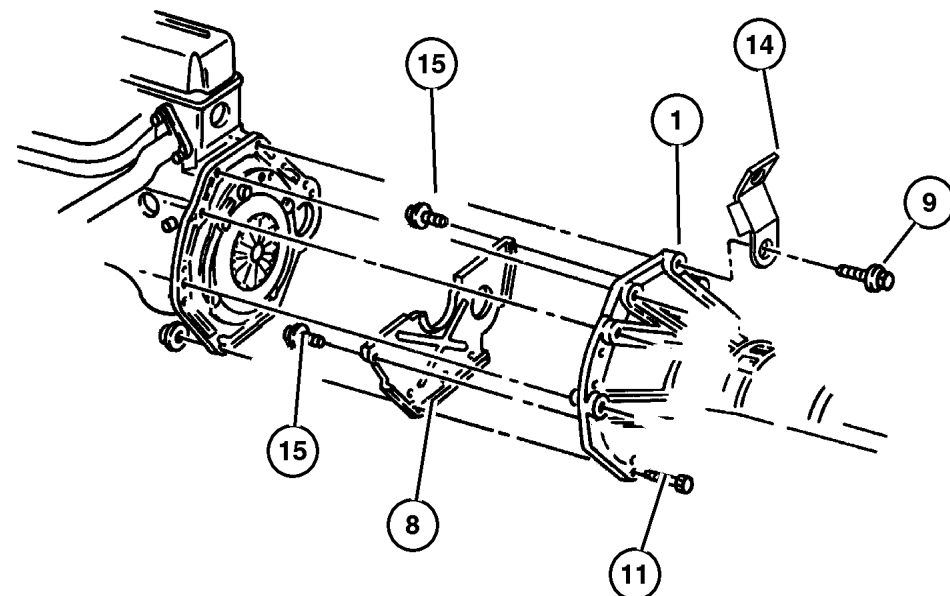
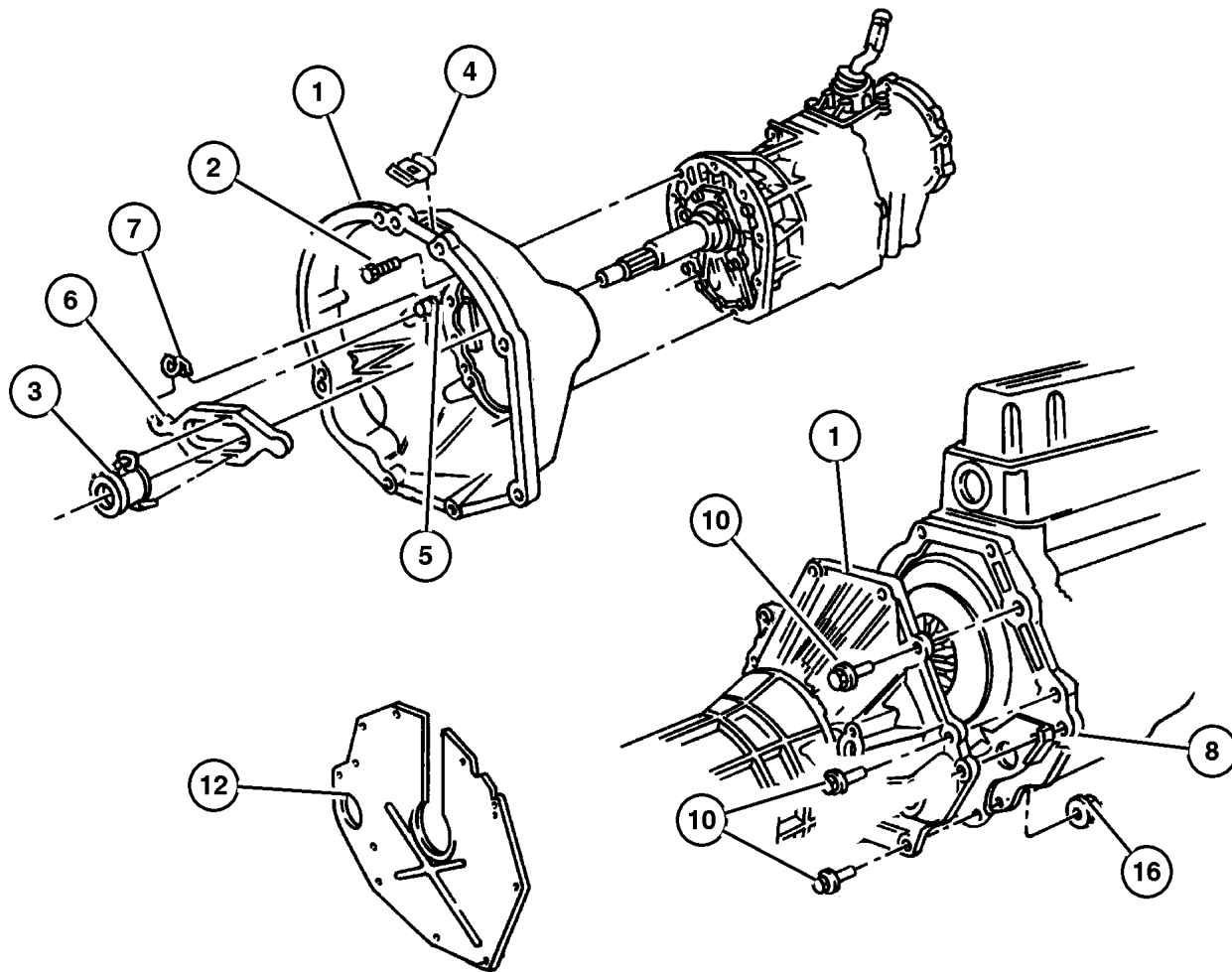
SERIES	LINE	BODY	ENGINE	TRANSMISSION
H = Sport	J = Wrangler 4WD	77 = 93.4 WB	ED1, ED0 = 2.4L DOHC	DGG, DGD = 32RH 3 Spd. Auto.
L = SE	U = Wrangler 4WD (RHD)		ERH = 4.0L Power Tech	DDD = 5 Speed HD Manual
M = X				DG0 = Auto. Trans.
P = Sahara				DBB = Manual Trans.
S = Rubicon				DDK = 5 Speed Manual

AR = Use as required - = Non illustrated part # = New this model year

January 6, 2004

## Housing & Pan, Clutch Figure 006-210

ITEM	PART NUMBER	QTY	LINE	SERIES	BODY	ENGINE	TRANS	TRIM	DESCRIPTION
<b>NOTE:</b>									
Sales Codes:									
[DBB]=All Manual Transmissions									
[ED0]=All 2.2,2.4,2.5L \$ Cylinder Gas Engines									
[ER0]=All 4.0L 6 Cylinder Gas Engine									
1									HOUSING, Clutch
	5210 7552	1				ER0	DBB		
	52107 786AA	1				ED0	DBB		
2	6503 299	9					DBB		BOLT, Hex Head
3	#53008 342AB	1					DBB		BEARING, Clutch Release
4	5300 6010	1				ER0	DBB		GROMMET, Timing Probe
5									PIVOT, Clutch Release
	5208 7542	1				ER0	DBB		
						ED0	DBB		
6	5210 7555	1					DBB		FORK, Clutch Release
7	4338 855	1					DBB		SPRING, Clutch Release
8									SHIELD, Lower Bell
	52104 426AA	1				ER0	DG6		
	53013 489AA	1				ED0	DBB		
9	J400 7389	2				ER0	DBB		BOLT, Torx, Clutch Housing To Block
10	6501 742	4				ED0	DBB		SCREW, Hex Head, M12x1.75x50
11	6100 202	2				ER0	DBB		SCREW, Hex Head, M12x1.75x50
12	5300 4473	1				ER0	DBB		SPACER, Clutch Housing
-13	53013 697AA	1				ED0	DBB		SPACER, Bell to Block
14	5209 8522	1				ED0			BRACKET, Tube
15	1150 0986	3				ER0	DBB		BOLT, Hex Flange Head, M8x2.12x16
16	6502 697	2							NUT, Hex Flange Lock, M12x1.75



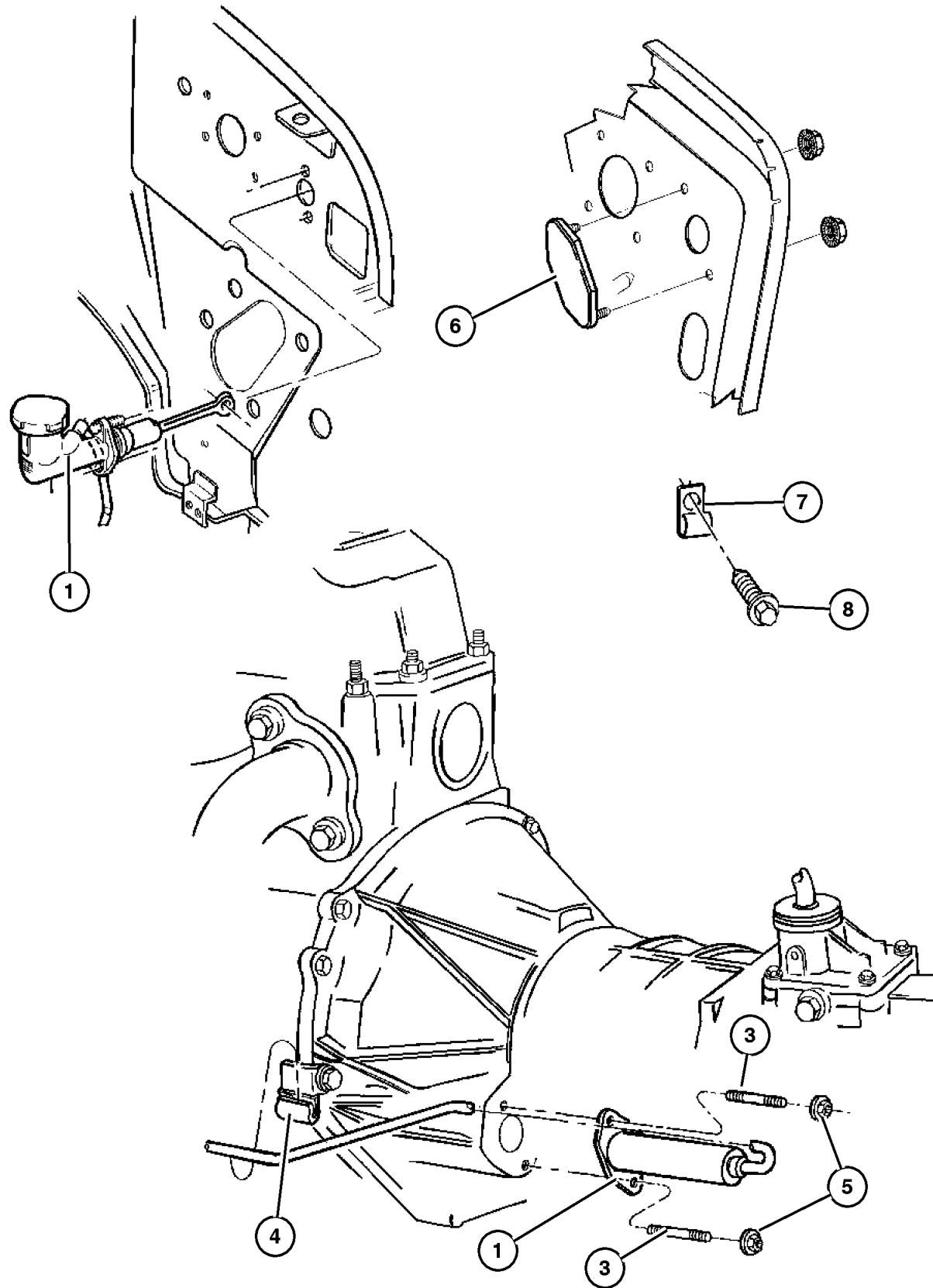
### JEEP WRANGLER (TJ)

SERIES	LINE	BODY	ENGINE	TRANSMISSION
H = Sport	J = Wrangler 4WD	77 = 93.4 WB	ED1, ED0 = 2.4L DOHC	DGG, DGD = 32RH 3 Spd. Auto.
L = SE	U = Wrangler 4WD (RHD)		ERH = 4.0L Power Tech	DDD = 5 Speed HD Manual
M = X				DG0 = Auto. Trans.
P = Sahara				DBB = Manual Trans.
S = Rubicon				DDK = 5 Speed Manual

AR = Use as required - = Non illustrated part # = New this model year

January 6, 2004

# Control, Clutch Figure 006-310



ITEM	PART NUMBER	QTY	LINE	SERIES	BODY	ENGINE	TRANS	TRIM	DESCRIPTION
------	-------------	-----	------	--------	------	--------	-------	------	-------------

NOTE; Sales Codes

[DBB] = All Manual Transmissions

[DG0] = All Automatic Transmissions

1									HYDRAULIC CONTROL, Clutch Actuator
	52107 652AD	1	J				DBB		
	52107 653AD	1	U				DBB		
-2	52107 588AC	1					DBB		CLIP, Tube To Dash Panel
3	6032 878	2					DBB		STUD, .312-18x2.00
4	52109 677AA	1					DBB		BRACKET, Clutch Tube
5	0152 472	2					DBB		NUT, Hex Flange Lock, .312-18
6	5210 4013	1					DG0		COVER, Master Cylinder
7	0120 522	3	U				DBB		CLIP, Wrap Around, Tube To Dash Panel
8	J400 1701	2	U				DBB		SCREW, Hex Self Tapping, .19-16x.50, Clip To Dash Panel

### JEEP WRANGLER (TJ)

SERIES	LINE	BODY	ENGINE	TRANSMISSION
H = Sport	J = Wrangler 4WD	77 = 93.4 WB	ED1, ED0 = 2.4L DOHC	DGG, DGD = 32RH 3 Spd. Auto.
L = SE	U = Wrangler 4WD (RHD)		ERH = 4.0L Power Tech	DDD = 5 Speed HD Manual
M = X				DG0 = Auto. Trans.
P = Sahara				DBB = Manual Trans.
S = Rubicon				DDK = 5 Speed Manual

AR = Use as required - = Non illustrated part # = New this model year

January 6, 2004

**Pedal, Clutch**  
**Figure 006-410**

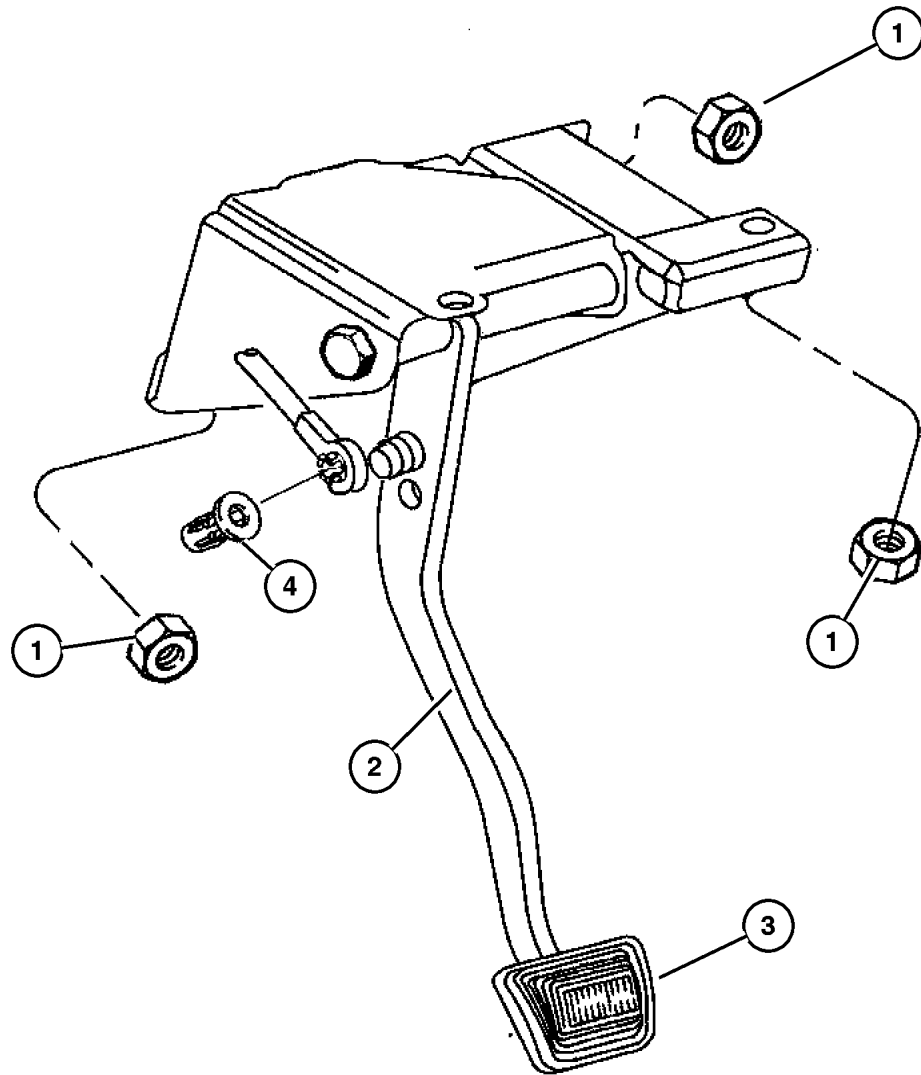
ITEM	PART NUMBER	QTY	LINE	SERIES	BODY	ENGINE	TRANS	TRIM	DESCRIPTION
------	-------------	-----	------	--------	------	--------	-------	------	-------------

NOTE:

Sales Codes:

[DBB] = All Manual Transmissions

1	J400 3909	4							NUT, Hex Flange With Serration
2									PEDAL, Brake, See Group 5 , (NOT REQUIRED)
3	5200 2750	2	J				DBB		PAD, Pedal
		2	U				DBB		
4	5114 396AA	1	J				DBB		RETAINER, Clutch Rod



JEEP WRANGLER (TJ)

SERIES	LINE	BODY	ENGINE	TRANSMISSION
H = Sport	J = Wrangler 4WD	77 = 93.4 WB	ED1, ED0 = 2.4L DOHC	DGG, DGD = 32RH 3 Spd. Auto.
L = SE	U = Wrangler 4WD (RHD)		ERH = 4.0L Power Tech	DDD = 5 Speed HD Manual
M = X				DG0 = Auto. Trans.
P = Sahara				DBB = Manual Trans.
S = Rubicon				DDK = 5 Speed Manual

AR = Use as required - = Non illustrated part # = New this model year

January 6, 2004

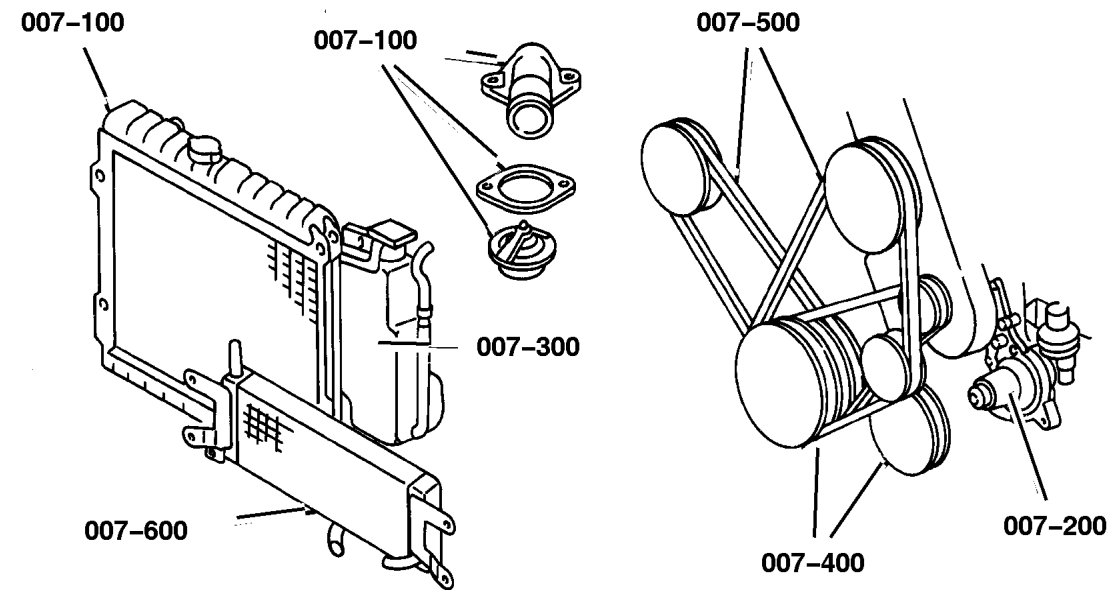
# Group – 007

## Cooling

### GROUP 7 - Cooling

Illustration Title

Group-Fig. No.



#### Radiator and Related Parts

Radiator And Related Parts ..... Fig. 007-110

#### Water Pump and Related Parts

Water Pump, 2.4L Engine ..... Fig. 007-202

Water Pump, 4.0L Engine ..... Fig. 007-205

#### Tank, Coolant Engine

Tank, Coolant Recovery ..... Fig. 007-310

#### Pulleys and Related Parts

Drive Pulleys, 2.4L Engine ..... Fig. 007-402

Drive Pulleys, 4.0L Engine ..... Fig. 007-405

#### Drive Belts

Drive Belts, 2.4L Engine ..... Fig. 007-510

Drive Belts, 4.0L Engine ..... Fig. 007-515

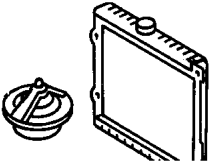

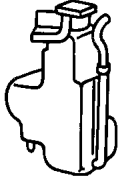
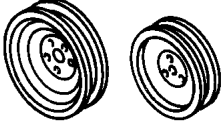
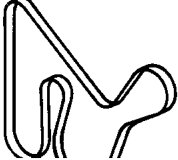
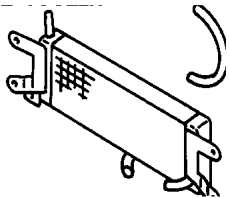
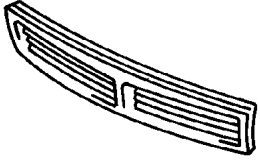
#### Lines, Transmission Oil Cooler

Oil Cooler Lines, 2.4L Engine ..... Fig. 007-610

Oil Cooler Lines, 4.0L Engine ..... Fig. 007-620

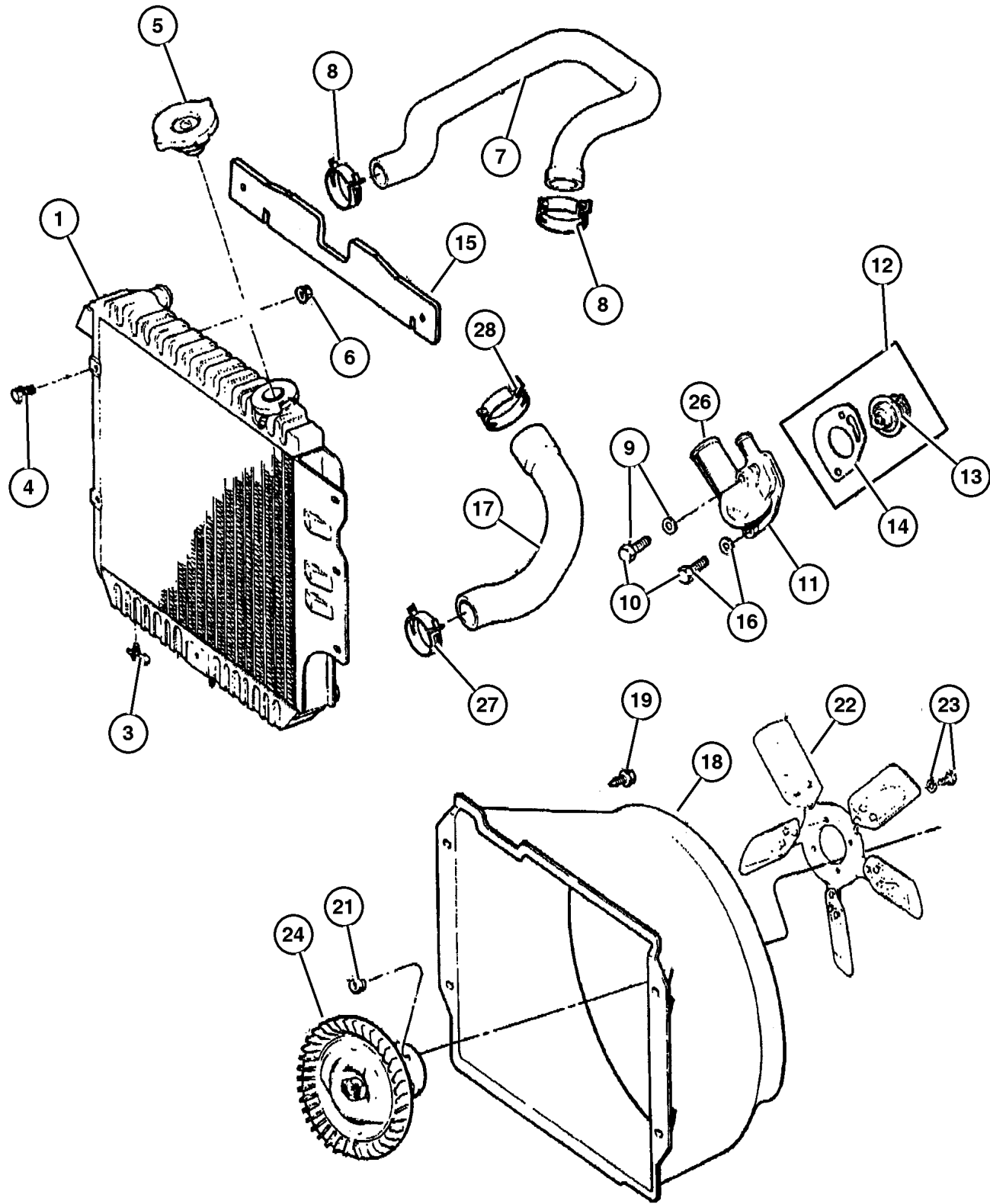
#### Grilles

Grille And Related Parts ..... Fig. 007-705

<p><b>007-100</b> Radiator and Related Parts</p> 	<p><b>007-200</b> Water Pump and Related Parts</p> 	<p><b>007-300</b> Tank, Coolant Engine</p> 	<p><b>007-400</b> Pulleys and Related Parts</p> 
<p><b>007-500</b> Drive Belts</p> 	<p><b>007-600</b> Lines, Transmission Oil Cooler</p> 	<p><b>007-700</b> Grilles</p> 	



## Radiator And Related Parts Figure 007-110



ITEM	PART NUMBER	QTY	LINE	SERIES	BODY	ENGINE	TRANS	TRIM	DESCRIPTION
Note: Sales Code DBB = Manual Trans									
Note: Sales Code DG0 = All Auto Trans									
Note: Sales Code ER0 = 4.0L Gas Engine									
1	55037 653AB	1	J				DG0		RADIATOR, Engine Cooling
	55037 652AA	1	J				DBB		
	55037 654AB	1	U			ER0			
-2	5102 022AA	2	J				DG0		FITTING, Coolant
		2	U			ER0			
3	4773 259	1	U			ER0			DRAINCOCK, Radiator
		1	J				DBB		
		1	J				DG0		
4									SCREW, (NOT SERVICED) (Not Serviced)
5	55116 901AA	1							CAP, Radiator
6									U-NUT, Multi-Thread Spring, 1/4-20, (NOT SERVICED) (Not Serviced)
7									HOSE, Radiator
	5202 8264	1	J			ER0			Upper
	52080 030AC	1				ED1			Upper
8	5200 5580	1				ER0			CLAMP, Hose to Radiator
9	6034 356	1				ER0			SCREW AND WASHER, Hex Head, .312-18x2.38
10	6503 334	3				ED0			BOLT, Hex Flange Head, M8x1.25x28
11									HOUSING, Thermostat
	5300 6192	1				ER0			
	53010 553AB	1				ED0			
12	52028 186AB	1				ER0			THERMOSTAT, 195 Degrees
13	53010 552AA	1				ED0			THERMOSTAT
14									GASKET, Thermostat
	53010 554AA	1				ED0			
	53020 547AC	1				ER0			
15	5503 6369	1							SEAL, Condenser
16	6034 927	1				ER0			SCREW AND WASHER, Hex Head, .312-18x.970
17									HOSE, Radiator
	52028 265AB	1	J			ER0			Lower
	52080 031AC	1				ED1			Lower

### JEEP WRANGLER (TJ)

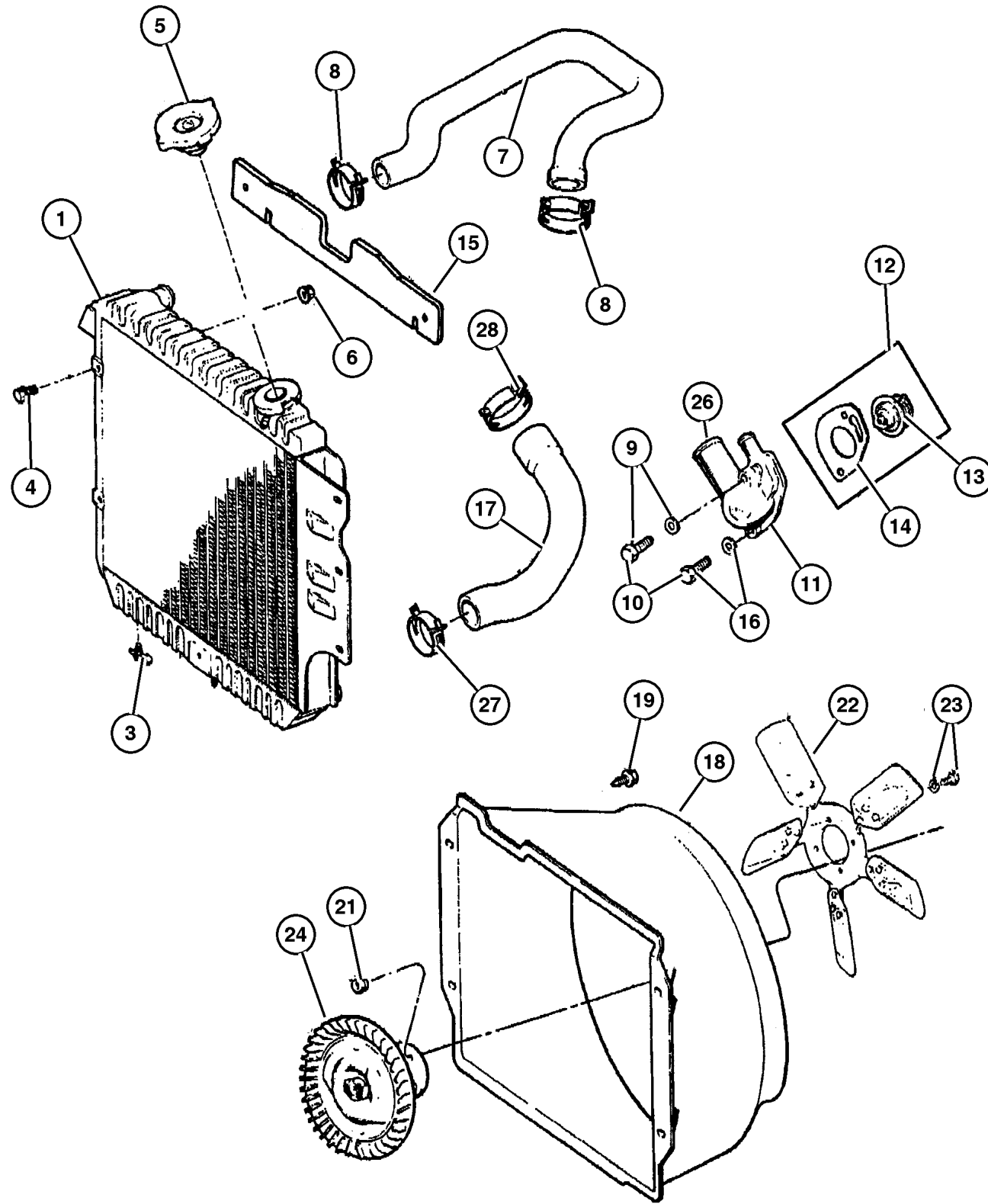
SERIES	LINE	BODY	ENGINE	TRANSMISSION
H = Sport	J = Wrangler 4WD	77 = 93.4 WB	ED1, ED0 = 2.4L DOHC	DGG, DGD = 32RH 3 Spd. Auto.
L = SE	U = Wrangler 4WD (RHD)		ERH = 4.0L Power Tech	DDD = 5 Speed HD Manual
M = X				DG0 = Auto. Trans.
P = Sahara				DBB = Manual Trans.
S = Rubicon				DDK = 5 Speed Manual

AR = Use as required - = Non illustrated part # = New this model year

January 6, 2004

**Radiator And Related Parts  
Figure 007-110**

ITEM	PART NUMBER	QTY	LINE	SERIES	BODY	ENGINE	TRANS	TRIM	DESCRIPTION
	52028 144AB	1	U			ER0			
18									SHROUD, Fan
	52027 925AC	1	J			ER0			
	52028 127AD	1	U			ER0			
	55037 635AC	1				ED0			
19									SCREW AND WASHER, Hex Head, .25-20x.875, (NOT SERVICED) (Not Serviced)
-20									FAN, Cooling
	5202 7893	1				ER0			
	#55037 695AA	1				ED0			
21	6025 007	2							NUT AND WASHER, Hex, .312-18
22	5202 7893	1				ER0			FAN, Cooling
23	6034 860	4				ED0, ER0			BOLT AND WASHER, Implement Attaching
24	52027 883AC	1				ER0			DRIVE, Fan
-25									FITTING, Coolant
	5102 022AA	2	J				DG0		
		2	U			ER0			
26	4781 489AA	1				ED0			CONNECTOR, Water Outlet
27	3200 2983	1				ER0			CLAMP, Hose, 32mm Black
28	3200 2366	1							CLAMP, Hose, 55mm Black



**JEEP WRANGLER (TJ)**

SERIES	LINE	BODY	ENGINE	TRANSMISSION
H = Sport	J = Wrangler 4WD	77 = 93.4 WB	ED1, ED0 = 2.4L DOHC	DGG, DGD = 32RH 3 Spd. Auto.
L = SE	U = Wrangler 4WD (RHD)		ERH = 4.0L Power Tech	DDD = 5 Speed HD Manual
M = X				DG0 = Auto. Trans.
P = Sahara				DBB = Manual Trans.
S = Rubicon				DDK = 5 Speed Manual

AR = Use as required - = Non illustrated part # = New this model year

January 6, 2004

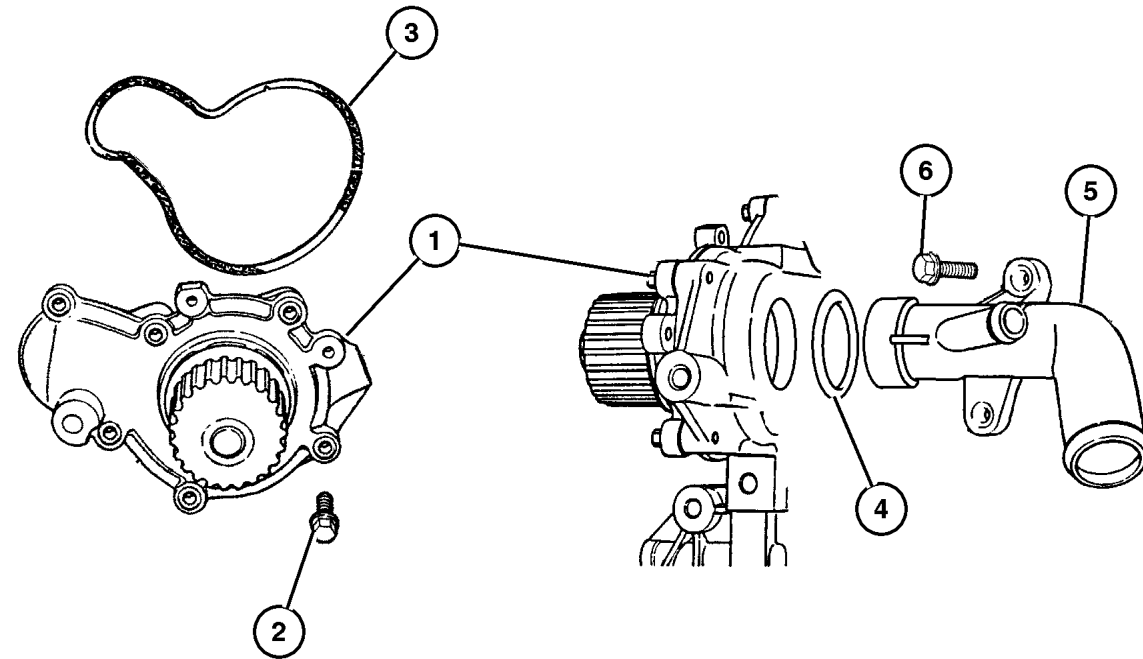
**Water Pump, 2.4L Engine  
Figure 007-202**

ITEM	PART NUMBER	QTY	LINE	SERIES	BODY	ENGINE	TRANS	TRIM	DESCRIPTION
------	-------------	-----	------	--------	------	--------	-------	------	-------------

NOTE: Sales Codes:

[EDZ] = 2.4L 4 CYL DOHC 16V

1	4694 307AC	1				ED0			PUMP, Water
2	6503 255	4				ED0			BOLT, Hex Head, M6x1.0x22
3	4621 564	1				ED0			SEAL, Water Pump Body
4	6503 180	1				ED0			O RING, Water Inlet Tube
5	53010 517AC	1				ED0			TUBE, Water Pump Inlet
6	6506 770AA	5				ED0			SCREW



**JEEP WRANGLER (TJ)**

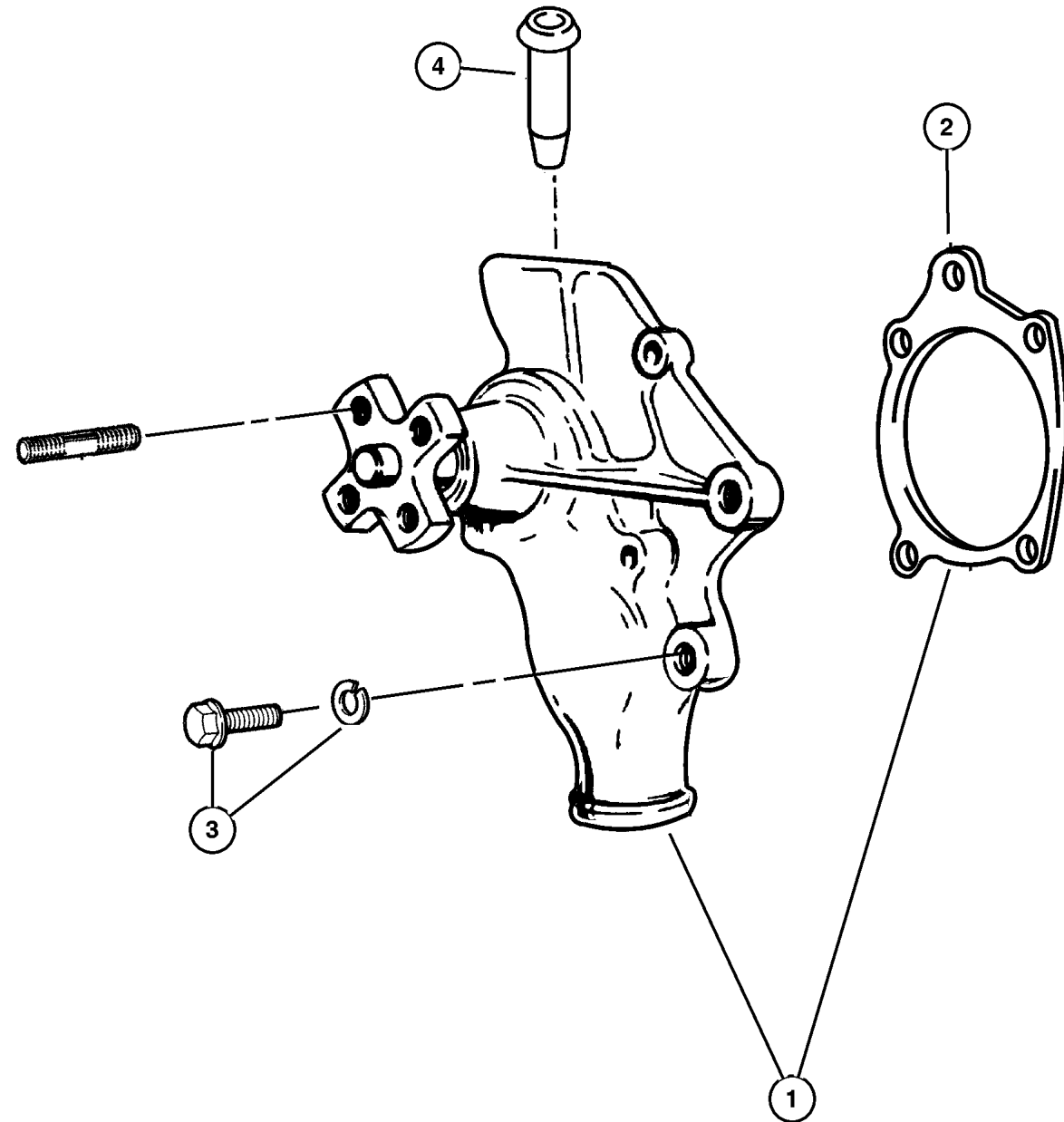
SERIES	LINE	BODY	ENGINE	TRANSMISSION
H = Sport	J = Wrangler 4WD	77 = 93.4 WB	ED1, ED0 = 2.4L DOHC	DGG, DGD = 32RH 3 Spd. Auto.
L = SE	U = Wrangler 4WD (RHD)		ERH = 4.0L Power Tech	DDD = 5 Speed HD Manual
M = X				DG0 = Auto. Trans.
P = Sahara				DBB = Manual Trans.
S = Rubicon				DDK = 5 Speed Manual

AR = Use as required - = Non illustrated part # = New this model year

January 6, 2004

**Water Pump, 4.0L Engine  
Figure 007-205**

ITEM	PART NUMBER	QTY	LINE	SERIES	BODY	ENGINE	TRANS	TRIM	DESCRIPTION
Note: Sales Code ER0 = 4.0L Gas Engine									
1	5012 366AC	1				ER0			PUMP PACKAGE, Water
2	5010 956AB	1				ER0			GASKET, Water Pump
3	6036 004AA	4				ER0			SCREW
4	5300 7978	1				ER0			TUBE, Water Pump Heater Return




---



---



---



---



---



---



---



---



---



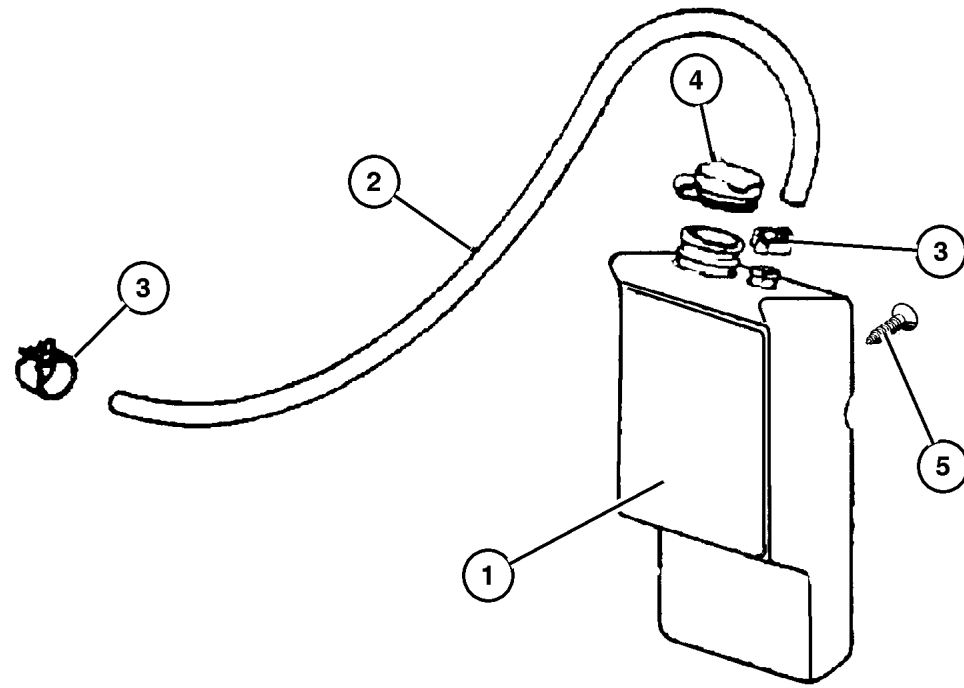
---

<b>JEEP WRANGLER (TJ)</b>				
SERIES	LINE	BODY	ENGINE	TRANSMISSION
H = Sport	J = Wrangler 4WD	77 = 93.4 WB	ED1, ED0 = 2.4L DOHC	DGG, DGD = 32RH 3 Spd. Auto.
L = SE	U = Wrangler 4WD (RHD)		ERH = 4.0L Power Tech	DDD = 5 Speed HD Manual
M = X				DG0 = Auto. Trans.
P = Sahara				DBB = Manual Trans.
S = Rubicon				DDK = 5 Speed Manual

AR = Use as required   - = Non illustrated part   # = New this model year

January 6, 2004

**Tank, Coolant Recovery  
Figure 007-310**



ITEM	PART NUMBER	QTY	LINE	SERIES	BODY	ENGINE	TRANS	TRIM	DESCRIPTION
Note: Sales Code ER0 = 4.0L Gas Engine									
Note: Sales Code ED0 = 2.4L Gas Engine									
1	52028 065AE	1				ED0, ER0			BOTTLE, Coolant Recovery
2									HOSE, 5/8" I.D. 50 Foot Roll, (NOT SERVICED) (Not Serviced)
3	J318 0725	1				ED0, ER0			CLAMP, Hose
4	5207 9331	1				ED0, ER0			CAP, Coolant Reserve Tank
5									SCREW, (NOT SERVICED) (Not Serviced)

**JEEP WRANGLER (TJ)**

SERIES	LINE	BODY	ENGINE	TRANSMISSION
H = Sport	J = Wrangler 4WD	77 = 93.4 WB	ED1, ED0 = 2.4L DOHC	DGG, DGD = 32RH 3 Spd. Auto.
L = SE	U = Wrangler 4WD (RHD)		ERH = 4.0L Power Tech	DDD = 5 Speed HD Manual
M = X				DG0 = Auto. Trans.
P = Sahara				DBB = Manual Trans.
S = Rubicon				DDK = 5 Speed Manual

AR = Use as required - = Non illustrated part # = New this model year

January 6, 2004

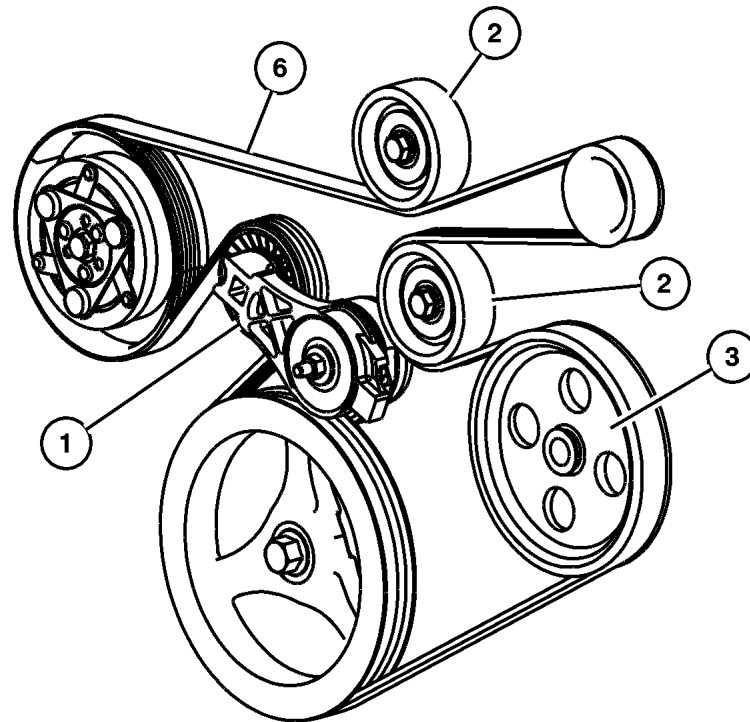
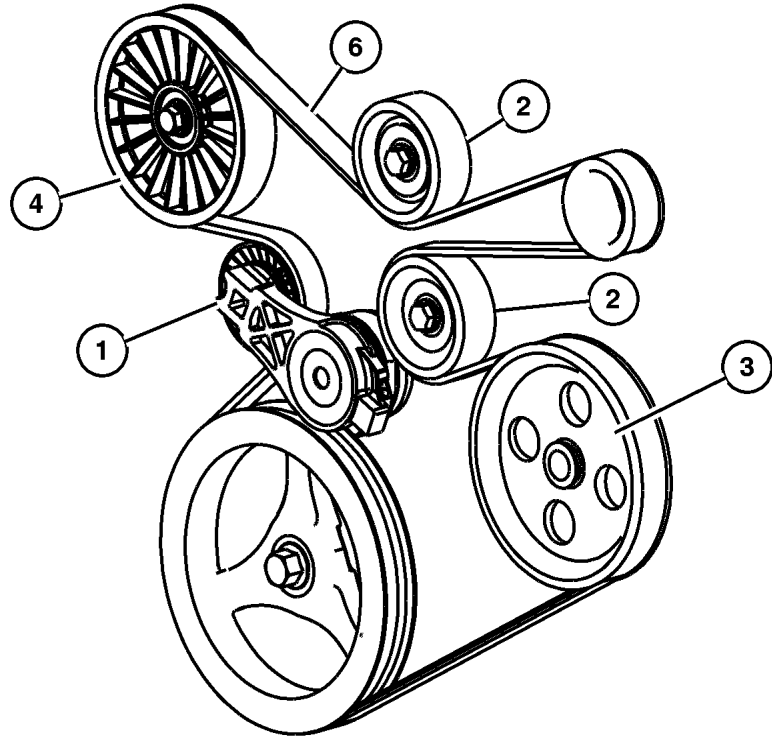
Drive Pulleys, 2.4L Engine  
Figure 007-402

ITEM	PART NUMBER	QTY	LINE	SERIES	BODY	ENGINE	TRANS	TRIM	DESCRIPTION
------	-------------	-----	------	--------	------	--------	-------	------	-------------

Note; Sales Codes

[ED0]= All 2.2L, 2.5L, 2.4L, 4 C

1	4861 277AB	1				ED0			TENSIONER, Belt
2	53013 324AA	2				ED0			PULLEY, Idler
3	53031 722AA	1				ED0			PULLEY, Power Steering Pump
4	53013 366AA	1				ED0			PULLEY, Idler, without Air Conditioning
-5	3420 2781	1				ED0			SCREW
6									BELT, Accessory Drive
	5281 351AC	1				ED0			without Air Conditioning
	53013 352AD	1				ED0			with Air Conditioning



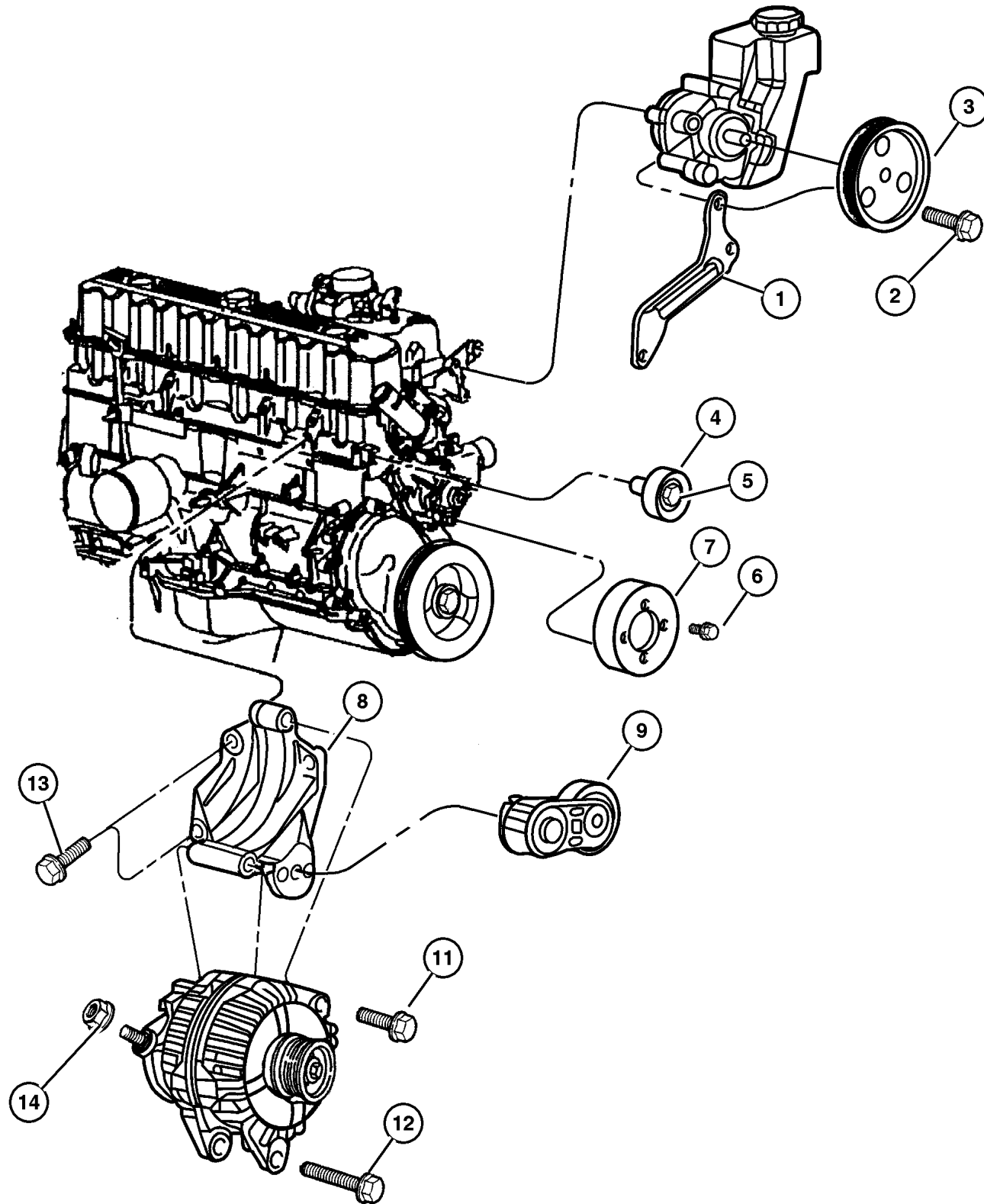
JEEP WRANGLER (TJ)

SERIES	LINE	BODY	ENGINE	TRANSMISSION
H = Sport	J = Wrangler 4WD	77 = 93.4 WB	ED1, ED0 = 2.4L DOHC	DGG, DGD = 32RH 3 Spd. Auto.
L = SE	U = Wrangler 4WD (RHD)		ERH = 4.0L Power Tech	DDD = 5 Speed HD Manual
M = X				DG0 = Auto. Trans.
P = Sahara				DBB = Manual Trans.
S = Rubicon				DDK = 5 Speed Manual

AR = Use as required - = Non illustrated part # = New this model year

January 6, 2004

Drive Pulleys, 4.0L Engine  
Figure 007-405



ITEM	PART NUMBER	QTY	LINE	SERIES	BODY	ENGINE	TRANS	TRIM	DESCRIPTION
Note: Sales Code									
ERO = All 4.0L Engines									
EVO = All 4.7L Engines									
1	4854 157	1				ERO			BRACE, Power Steering Pump
2	6502 425	3				ERO			SCREW AND WASHER, Hex Head, M8x1.25x95
3	53010 258AB	1				ERO			PULLEY, Power Steering Pump
4	4854 092	1				ERO			PULLEY, Idler
5	0153 748	1				ERO			SCREW AND WASHER, Hex
6	6034 860	4				ERO			BOLT AND WASHER, Implement Attaching
7	4854 032	1				ERO			PULLEY, Water Pump
8	4854 026	1				ERO			BRACKET, Alternator
9	4854 089AB	1				ERO			TENSIONER, Alternator Belt
-10	6507 743AA	1				ERO			SCREW
11	6505 488AA	1				ERO			SCREW AND WASHER, Hex
12	6504 344	1				ERO			SCREW AND WASHER, Hex Head
13	0154 854AA	4				ERO			SCREW AND WASHER, Hex
14									NUT, M8x1.25, (NOT SERVICED) (Not Serviced)

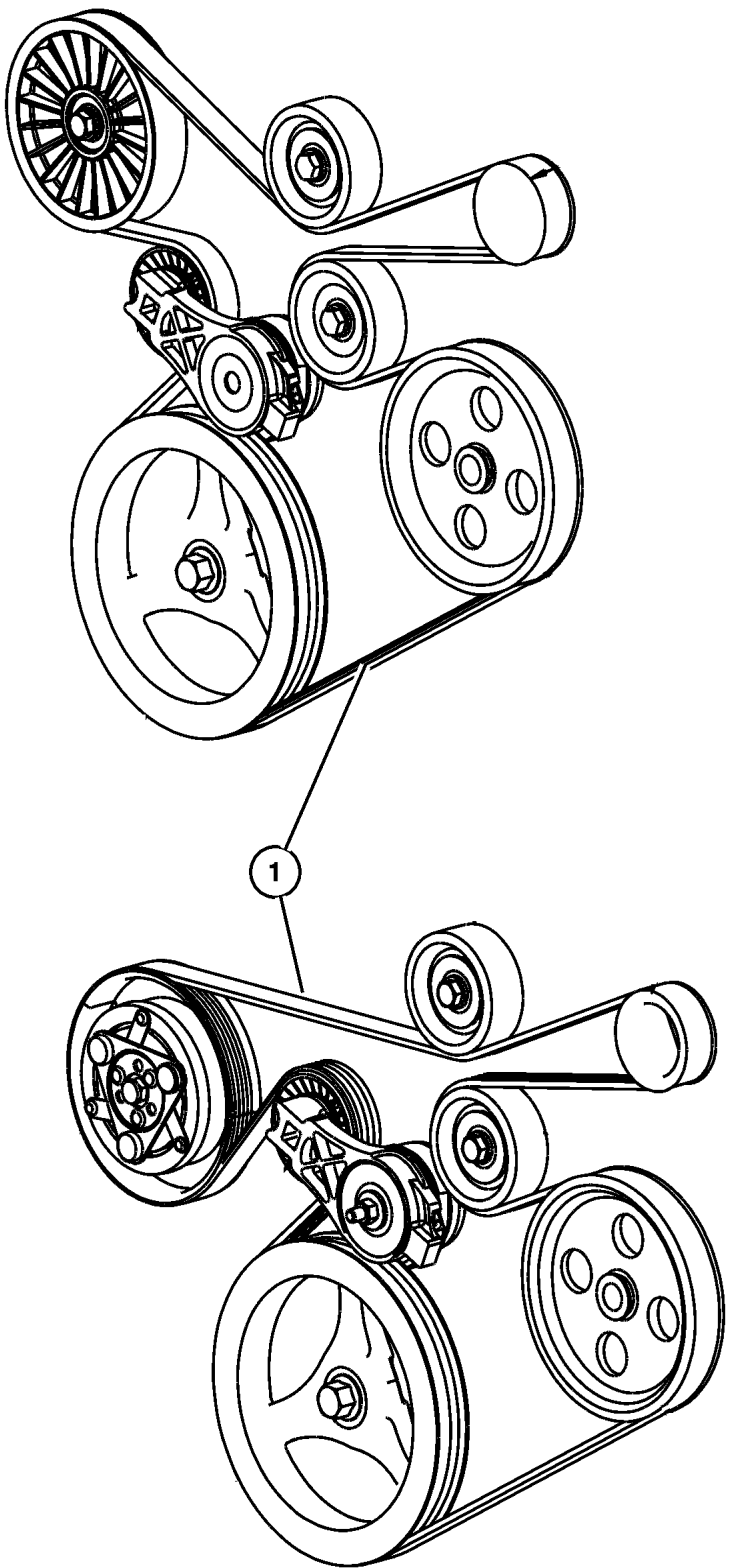
JEEP WRANGLER (TJ)

SERIES	LINE	BODY	ENGINE	TRANSMISSION
H = Sport	J = Wrangler 4WD	77 = 93.4 WB	ED1, ED0 = 2.4L DOHC	DGG, DGD = 32RH 3 Spd. Auto.
L = SE	U = Wrangler 4WD (RHD)		ERH = 4.0L Power Tech	DDD = 5 Speed HD Manual
M = X				DG0 = Auto. Trans.
P = Sahara				DBB = Manual Trans.
S = Rubicon				DDK = 5 Speed Manual

AR = Use as required - = Non illustrated part # = New this model year

January 6, 2004

Drive Belts, 2.4L Engine  
Figure 007-510



ITEM	PART NUMBER	QTY	LINE	SERIES	BODY	ENGINE	TRANS	TRIM	DESCRIPTION
------	-------------	-----	------	--------	------	--------	-------	------	-------------

Note; Sales Codes

[ED0]= All 2.2L, 2.5L, 2.4L, 4 Cylinder

1	5281 351AC	1				ED0			BELT, Accessory Drive with Air Conditioning
	53013 352AD	1				ED0			without Air Conditioning

JEEP WRANGLER (TJ)

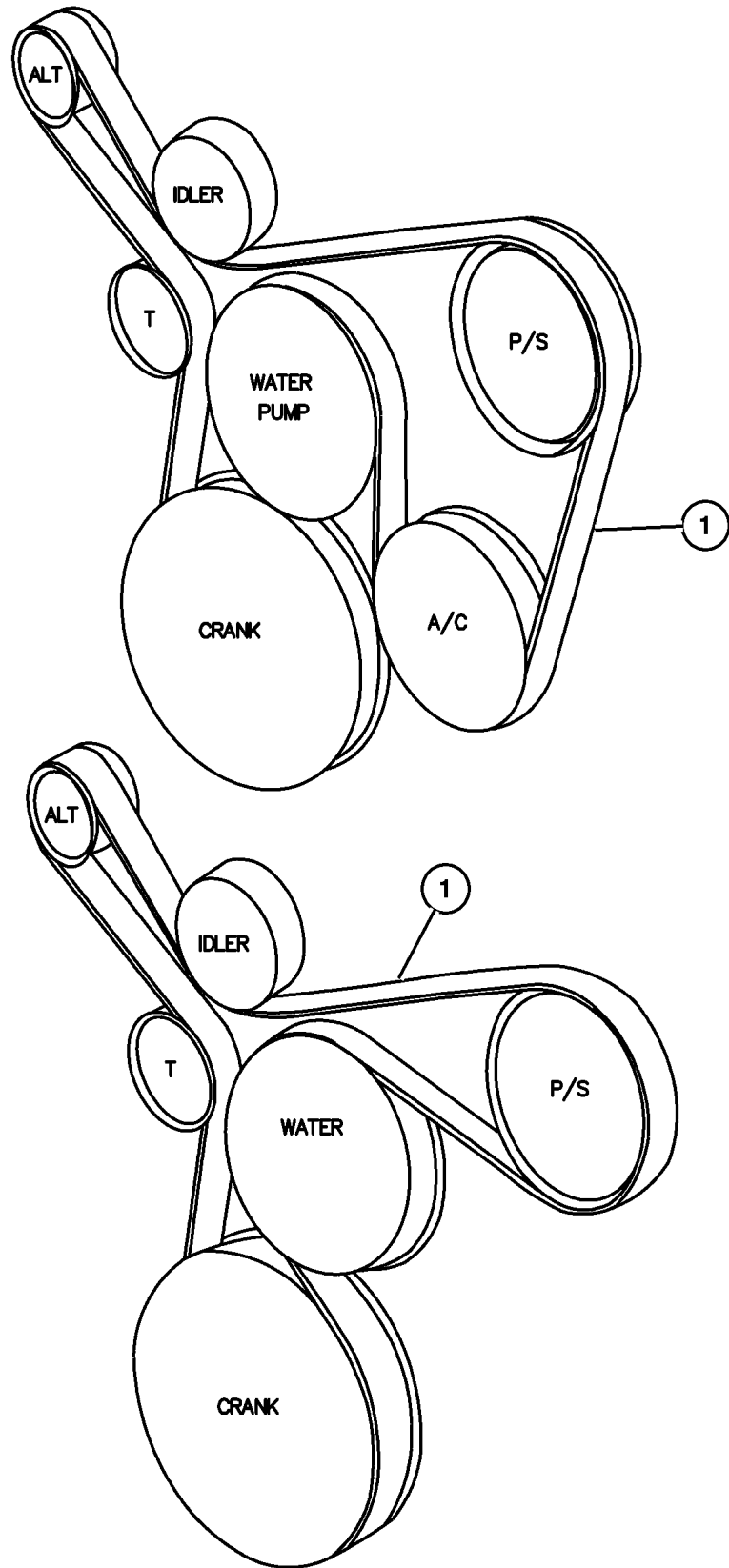
SERIES	LINE	BODY	ENGINE	TRANSMISSION
H = Sport	J = Wrangler 4WD	77 = 93.4 WB	ED1, ED0 = 2.4L DOHC	DGG, DGD = 32RH 3 Spd. Auto.
L = SE	U = Wrangler 4WD (RHD)		ERH = 4.0L Power Tech	DDD = 5 Speed HD Manual
M = X				DG0 = Auto. Trans.
P = Sahara				DBB = Manual Trans.
S = Rubicon				DDK = 5 Speed Manual

AR = Use as required - = Non illustrated part # = New this model year

January 6, 2004



Drive Belts, 4.0L Engine  
Figure 007-515



ITEM	PART NUMBER	QTY	LINE	SERIES	BODY	ENGINE	TRANS	TRIM	DESCRIPTION
1									BELT, Accessory Drive
	53013 209AC	1				ER0			without Air Conditioning
	4854 033AB	1				ER0			with Air Conditioning
-2	53031 700AB	1				ER0			LABEL, Belt Routing

JEEP WRANGLER (TJ)

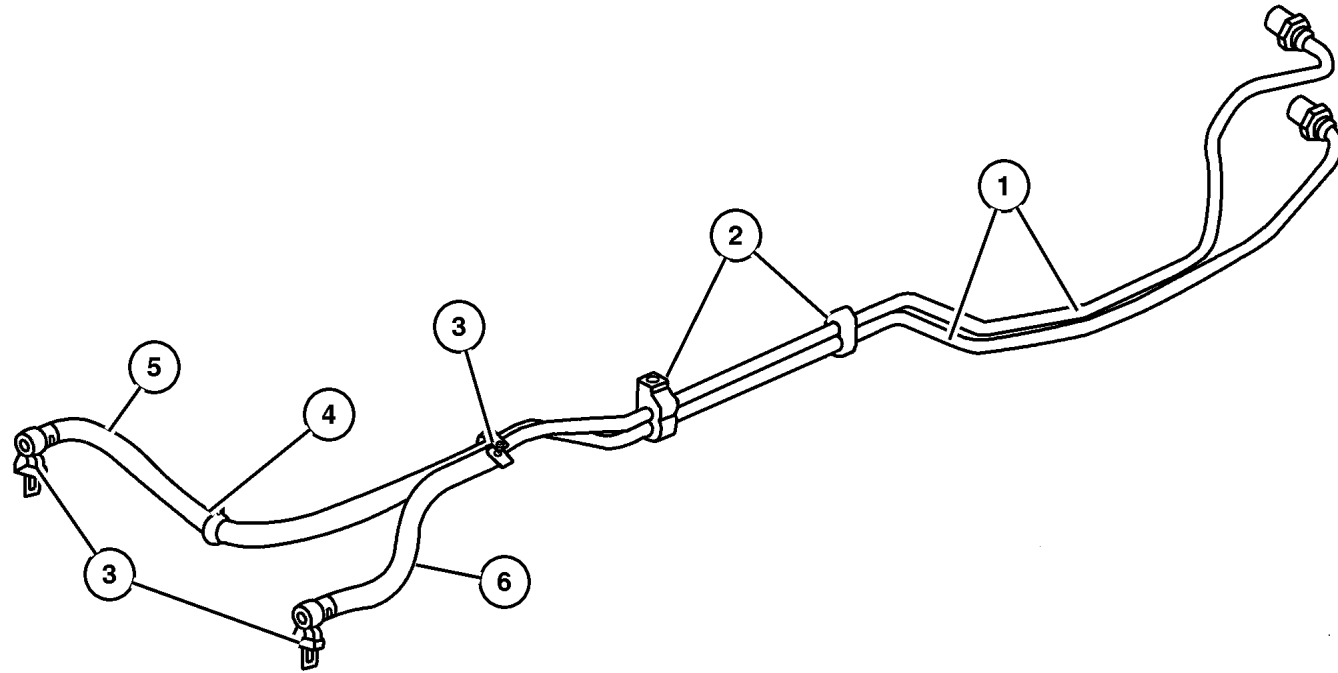
SERIES	LINE	BODY	ENGINE	TRANSMISSION
H = Sport	J = Wrangler 4WD	77 = 93.4 WB	ED1, ED0 = 2.4L DOHC	DGG, DGD = 32RH 3 Spd. Auto.
L = SE	U = Wrangler 4WD (RHD)		ERH = 4.0L Power Tech	DDD = 5 Speed HD Manual
M = X				DG0 = Auto. Trans.
P = Sahara				DBB = Manual Trans.
S = Rubicon				DDK = 5 Speed Manual

AR = Use as required - = Non illustrated part # = New this model year

January 6, 2004

**Oil Cooler Lines, 2.4L Engine  
Figure 007-610**

ITEM	PART NUMBER	QTY	LINE	SERIES	BODY	ENGINE	TRANS	TRIM	DESCRIPTION
1	52080 128AD	1				ED0	DG6		TUBE & HOSE, Supply & Return
2	4815 987AB	1				ED0	DG6		CLIP, Oil Cooler Tube
3	52079 632AA	2				ED0	DG6		CLAMP, Oil Cooler Tube
4	6506 121AA	1				ED0	DG6		CLIP, Tube
5	5093 942AA	1				ED0	DG6		HOSE, Transmission Oil Cooler
6	5015 930AA	1				ED0	DG6		HOSE, Transmission Oil Cooler, Roll Stock
-7	4531 202	1				ED0	DG6		CONNECTOR, Oil Cooler Hose



**JEEP WRANGLER (TJ)**

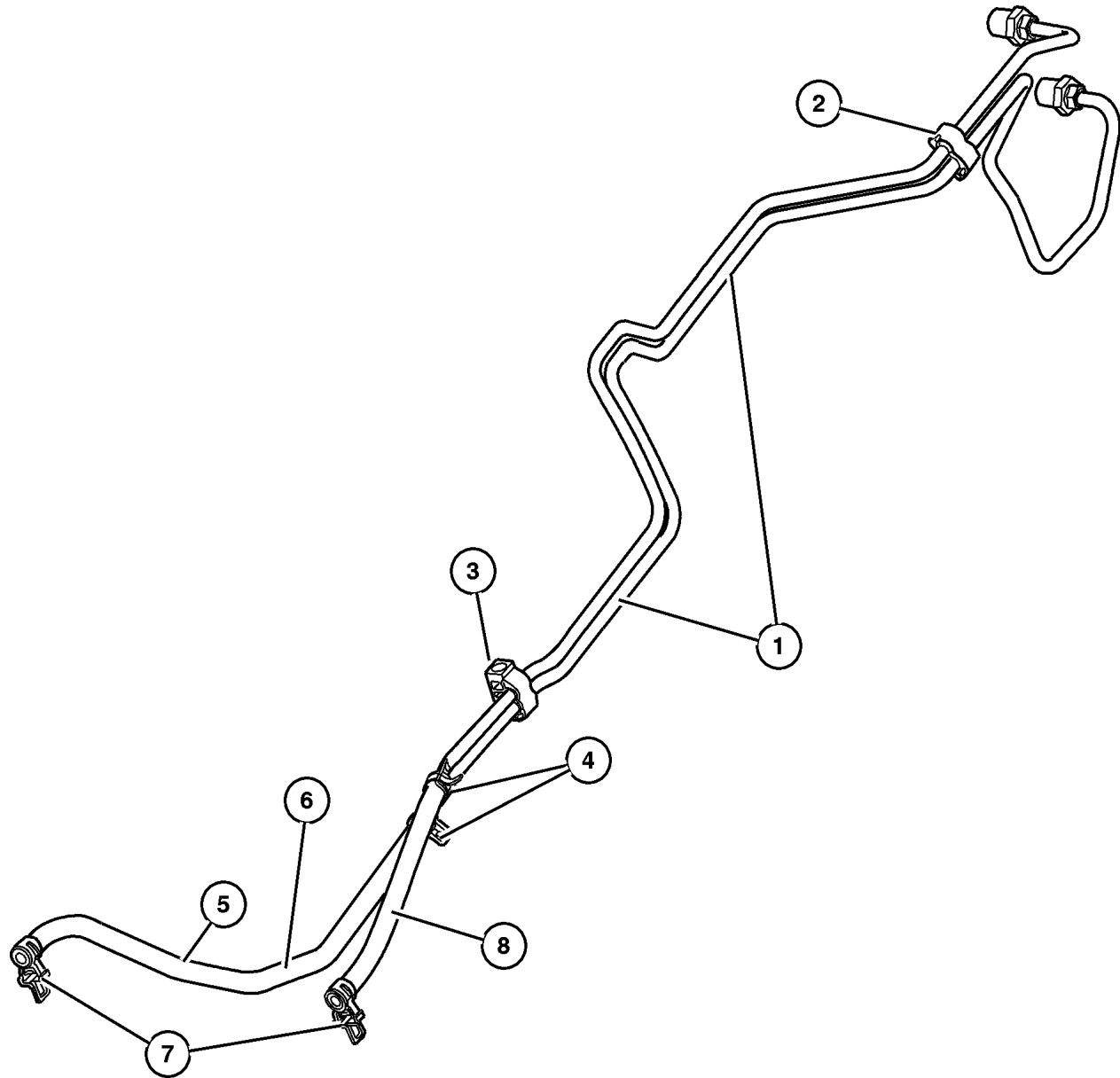
SERIES	LINE	BODY	ENGINE	TRANSMISSION
H = Sport	J = Wrangler 4WD	77 = 93.4 WB	ED1, ED0 = 2.4L DOHC	DGG, DGD = 32RH 3 Spd. Auto.
L = SE	U = Wrangler 4WD (RHD)		ERH = 4.0L Power Tech	DDD = 5 Speed HD Manual
M = X				DG0 = Auto. Trans.
P = Sahara				DBB = Manual Trans.
S = Rubicon				DDK = 5 Speed Manual

AR = Use as required - = Non illustrated part # = New this model year

January 6, 2004

**Oil Cooler Lines, 4.0L Engine  
Figure 007-620**

ITEM	PART NUMBER	QTY	LINE	SERIES	BODY	ENGINE	TRANS	TRIM	DESCRIPTION
1	55037 624AF	1				ER0	DG6		TUBE & HOSE, Supply & Return
2	4815 987AB	1				ER0	DG6		CLIP, Oil Cooler Tube
3	4815 987AB	1				ER0	DG6		CLIP, Oil Cooler Tube
4	52079 632AA	2				ER0	DG6		CLAMP, Oil Cooler Tube
5	6506 121AA	1				ER0	DG6		CLIP, Tube
6	5093 943AA	1				ER0	DG6		HOSE, Transmission Oil Cooler
7	52079 632AA	2				ER0	DG6		CLAMP, Oil Cooler Tube
8	5015 930AA	1				ER0	DG6		HOSE, Transmission Oil Cooler, Roll Stock
-9	4531 202	1				ER0	DG6		CONNECTOR, Oil Cooler Hose



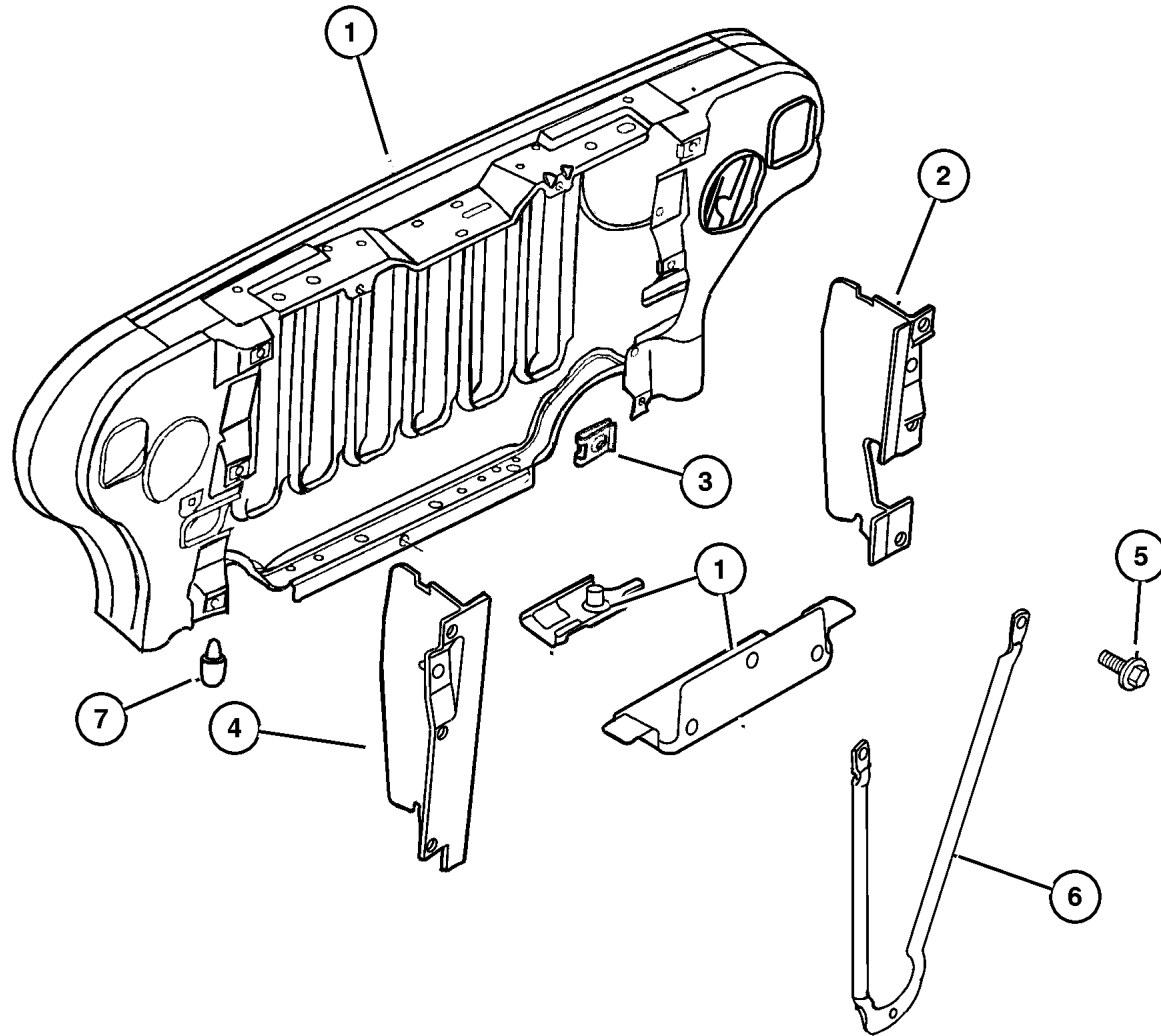
**JEEP WRANGLER (TJ)**

SERIES	LINE	BODY	ENGINE	TRANSMISSION
H = Sport	J = Wrangler 4WD	77 = 93.4 WB	ED1, ED0 = 2.4L DOHC	DGG, DGD = 32RH 3 Spd. Auto.
L = SE	U = Wrangler 4WD (RHD)		ERH = 4.0L Power Tech	DDD = 5 Speed HD Manual
M = X				DG0 = Auto. Trans.
P = Sahara				DBB = Manual Trans.
S = Rubicon				DDK = 5 Speed Manual

AR = Use as required - = Non illustrated part # = New this model year

January 6, 2004

**Grille And Related Parts  
Figure 007-705**



ITEM	PART NUMBER	QTY	LINE	SERIES	BODY	ENGINE	TRANS	TRIM	DESCRIPTION
Note: Sales Code EP0 = 2.5L Gas Engine									
Note: Sales Code ERO = 4.0L Gas Engine									
1	55174 594AD	1							PANEL, Radiator Closure, after 1-3-97
2	55036 866AC	1							SEAL, Condenser, Condenser to Grille,Right
3									U-NUT, Multi-Thread Spring, 1/4-20, (NOT SERVICED) (Not Serviced)
4	5503 6867	1							SEAL, Condenser, Condenser to Grille, Left
5	6100 548	3							BOLT AND CONED WASHER, Hex Head, M6x20x12.5
6	5517 6218	1							BRACE, Radiator, Radiator Guard
7	5517 6181	2							ISOLATOR
-8									DEFLECTOR, Radiator
	55176 584AC	1							Right
	55176 585AB	1							Left

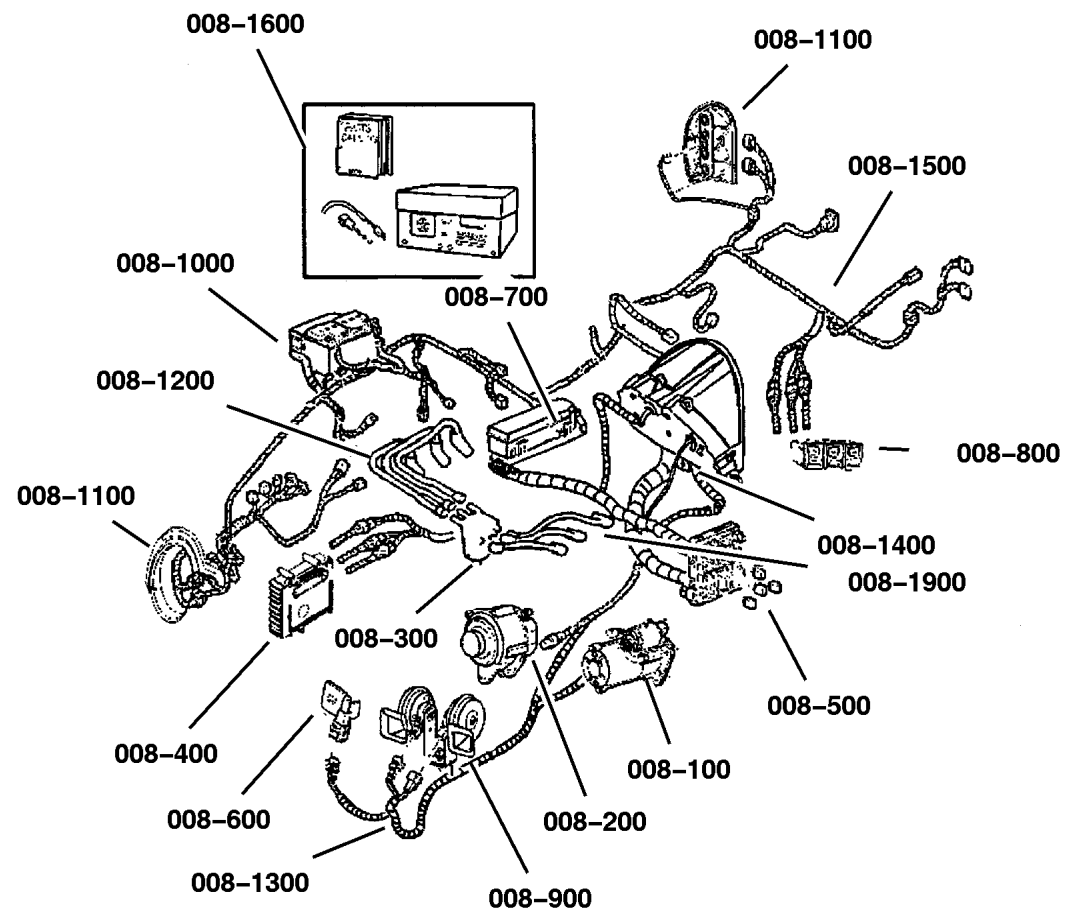
<b>JEEP WRANGLER (TJ)</b>				
SERIES	LINE	BODY	ENGINE	TRANSMISSION
H = Sport	J = Wrangler 4WD	77 = 93.4 WB	ED1, ED0 = 2.4L DOHC	DGG, DGD = 32RH 3 Spd. Auto.
L = SE	U = Wrangler 4WD (RHD)		ERH = 4.0L Power Tech	DDD = 5 Speed HD Manual
M = X				DG0 = Auto. Trans.
P = Sahara				DBB = Manual Trans.
S = Rubicon				DDK = 5 Speed Manual

AR = Use as required - = Non illustrated part # = New this model year

January 6, 2004

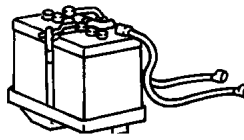
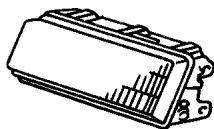
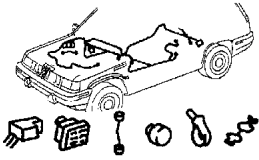


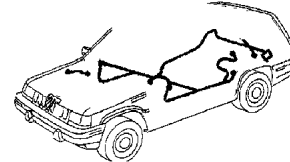

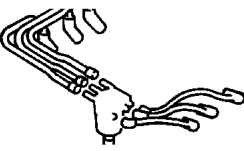
# Group – 008

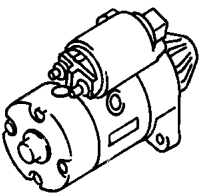
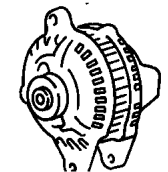
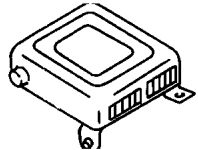
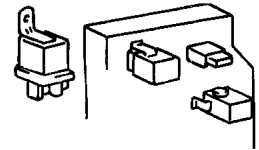
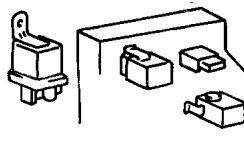
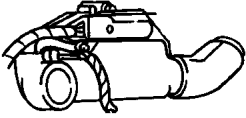
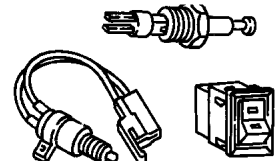
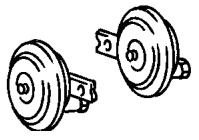
## Electrical



# Group – 008

## Electrical

<b>008-1000</b> Battery Tray and Cables 	<b>008-1100</b> Lamps – Front, Rear and Courtesy 	<b>008-1200</b> Wiring-Engine & Related Parts 	<b>008-1300</b> Wiring-Headlamp to Dash 
<b>008-1400</b> Wiring-Instrument Panel 	<b>008-1500</b> Wiring-Body & Accessories 	<b>008-1600</b> Wiring Repair WIRING REPAIR PKG.	<b>008-1700</b> Air Bag Systems 
<b>008-1900</b> Spark Plugs-Cables-Coils 			

<b>008-100</b> Starters 	<b>008-200</b> Alternators 	<b>008-400</b> Modules 	<b>008-500</b> Relays 
<b>008-600</b> Sensors 	<b>008-700</b> Single Board Engine Controllers 	<b>008-800</b> Switches 	<b>008-900</b> Horns 

---

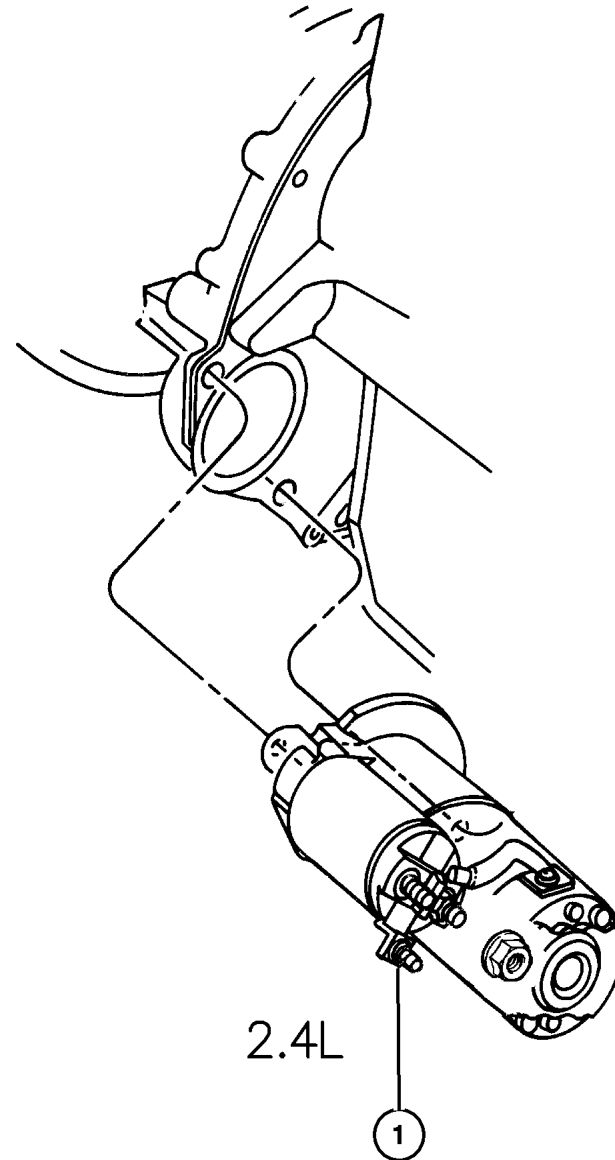
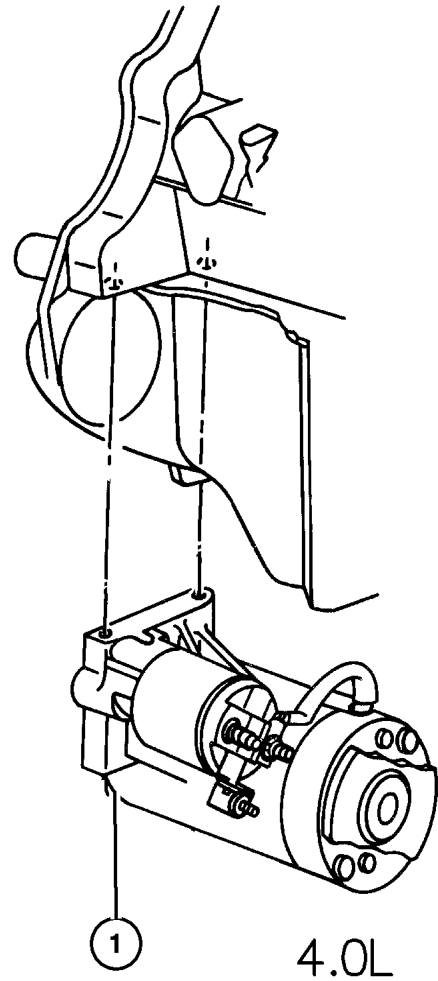
**GROUP 8 - Electrical**

Illustration Title	Group-Fig. No.
<b>Starters</b>	
Starter .....	Fig. 008-105
<b>Alternators</b>	
Alternator 2.4L Engine .....	Fig. 008-205
Alternator 4.0L Engine .....	Fig. 008-210
<b>Modules</b>	
Modules .....	Fig. 008-405
<b>Relays</b>	
Power Distribution Center Relays and Fuses .....	Fig. 008-505
Fuse Block .....	Fig. 008-510
<b>Sensors</b>	
Sensors 2.4L Engine [ED0] .....	Fig. 008-605
Sensors Engine 4.0L [ER0] .....	Fig. 008-610
Sensors, Oxygen 2.4L [ED0] .....	Fig. 008-615
Sensors Oxygen 4.0L [ER0] .....	Fig. 008-620
Sensors - Body .....	Fig. 008-625
Sensors Drive Train .....	Fig. 008-630
<b>Single Board Engine Controllers</b>	
Single Board Engine Controllers (JTEC Module) .....	Fig. 008-705
<b>Switches</b>	
Switches - Instrument Panel .....	Fig. 008-805
Switches Drivetrain .....	Fig. 008-810
Switches - Body .....	Fig. 008-815
<b>Horns</b>	
Horns .....	Fig. 008-905
<b>Battery Tray and Cables</b>	
Battery Tray & Cables .....	Fig. 008-1005
<b>Lamps - Front, Rear and Courtesy</b>	
Lamps--Front .....	Fig. 008-1105
Lamps--Rear .....	Fig. 008-1110
Lamps--Cargo-Dome-Courtesy .....	Fig. 008-1115
Bulbs & Sockets .....	Fig. 008-1120
<b>Wiring-Engine &amp; Related Parts</b>	
Wiring--Engine & Related Parts .....	Fig. 008-1205
<b>Wiring-Headlamp to Dash</b>	
Wiring--Headlamp / Dash Panel .....	Fig. 008-1305

**GROUP 8 - Electrical**

Illustration Title	Group-Fig. No.
<b>Wiring-Instrument Panel</b>	
Wiring Instrument Panel & Fuses .....	Fig. 008-1405
<b>Wiring-Body &amp; Accessories</b>	
Wiring--Body & Accessory .....	Fig. 008-1505
<b>Wiring Repair</b>	
Wiring Repair Packages .....	Fig. 008-1605
Power Distribution Center Repair .....	Fig. 008-1610
<b>Air Bag Systems</b>	
Air Bag Modules and Sensors .....	Fig. 008-1705
Air Bags and Clock Springs .....	Fig. 008-1710
<b>Spark Plugs-Cables-Coils</b>	
Spark Plugs--Cables--Coil .....	Fig. 008-1905

**Starter  
Figure 008-105**



ITEM	PART NUMBER	QTY	LINE	SERIES	BODY	ENGINE	TRANS	TRIM	DESCRIPTION
------	-------------	-----	------	--------	------	--------	-------	------	-------------

Notes:

- [EP0] = 2.5L Engine
- [ER0] = 4.0L Engine
- [DGD] = 3 Sped Automatic Transmissions
- [DGG] = 3 Sped Automatic Transmissions
- [DBB] = Manual Transmissions

1									STARTER
	56041 914AC	1				ER0	DG0		
	56041 012AE	1				ER0	DBB		
	56041 436AC	1				ED0			
-2	J400 6192	1				ER0	DBB		BOLT AND WASHER, Hex Head, .375-16x1.75
-3	6101 848	1				ER0	DBB		SCREW AND WASHER, Hex Head, M10-1.50x30
-4	6102 120AA	1				ED0, ER0	DG0		SCREW, Alternator, Starter Mounting
-5	6505 488AA	1				ED0, ER0	DG0		SCREW AND WASHER, Hex
-6	6506 929AA	1							NUT, Hex Flange Lock, M8x1.25

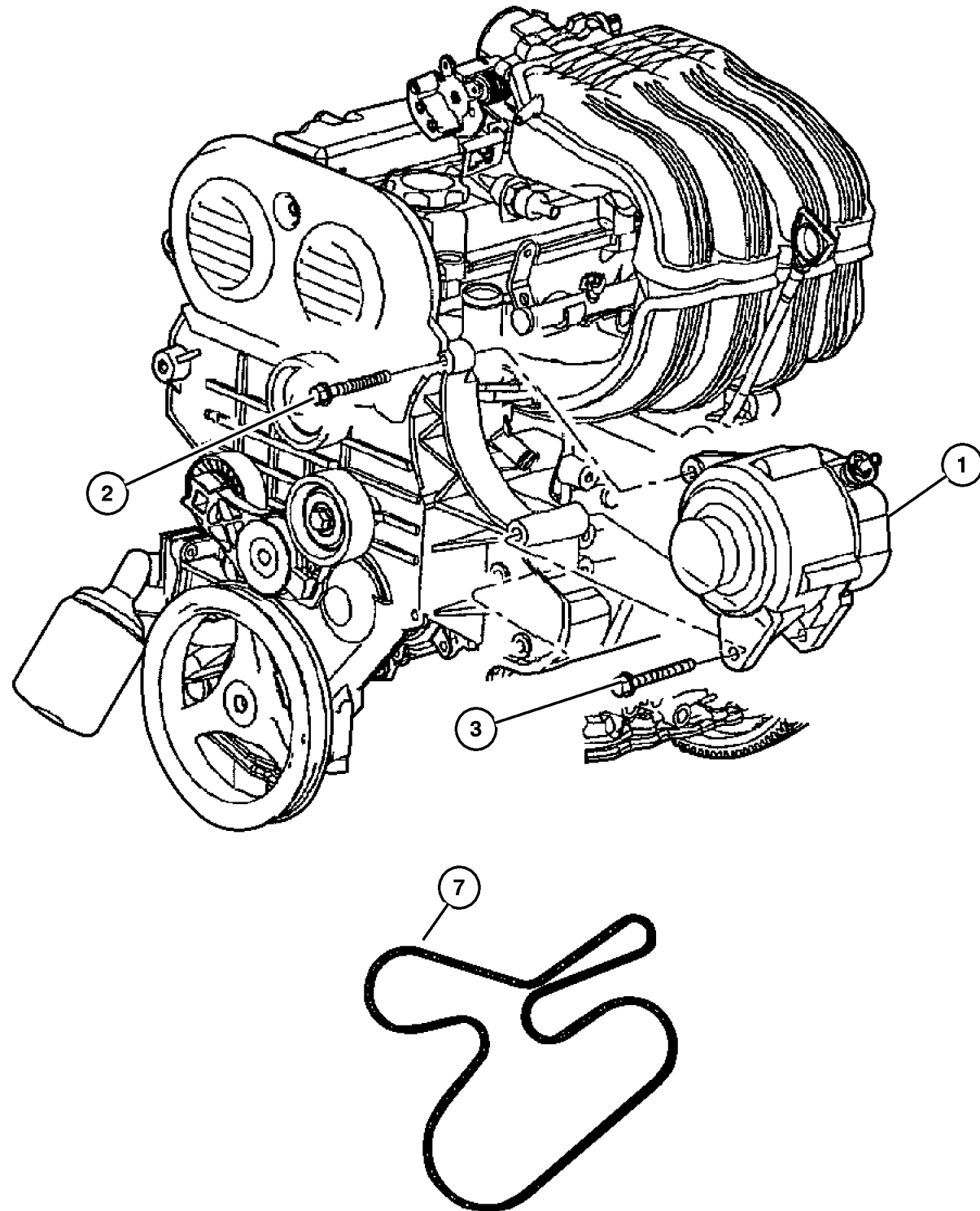
JEEP WRANGLER (TJ)

SERIES	LINE	BODY	ENGINE	TRANSMISSION
H = Sport	J = Wrangler 4WD	77 = 93.4 WB	ED1, ED0 = 2.4L DOHC	DGG, DGD = 32RH 3 Spd. Auto.
L = SE	U = Wrangler 4WD (RHD)		ERH = 4.0L Power Tech	DDD = 5 Speed HD Manual
M = X				DG0 = Auto. Trans.
P = Sahara				DBB = Manual Trans.
S = Rubicon				DDK = 5 Speed Manual

AR = Use as required - = Non illustrated part # = New this model year

January 6, 2004

## Alternator 2.4L Engine Figure 008-205



ITEM	PART NUMBER	QTY	LINE	SERIES	BODY	ENGINE	TRANS	TRIM	DESCRIPTION
------	-------------	-----	------	--------	------	--------	-------	------	-------------

Notes:

[EP0] = 2.5L Engine  
ERH=4.0L Power Tech Engine

1	56044 530AC	1				ED0			ALTERNATOR
2	6102 120AA	1				ED0			SCREW, Alternator
3	6504 344	1				ED0,			SCREW AND WASHER, Hex Head
						ER0			
-4	4861 371AA	1				ED0			BRACKET, Alternator
-5	6506 737AA	2				ED0			SCREW, Alternator Bracket, M10x1.5x100.00, Bracket To Block
-6	6506 990AA	3				ED0			SCREW, Hex Head, M10x1.5x40, Bracket To Block
7									BELT, Accessory Drive
	5281 351AC	1				ED0			With Air Conditioning
	53013 352AD	1				ED0			Without Air Conditioning
-8									PULLEY, Idler
	4781 569AB	1				ED0			Double Bearing, Idler/Timing
	53013 366AA	1				ED0			Without Air Conditioning
	53013 324AA	2			77	ED0			
-9									PULLEY, Alternator, Serviced with Alternator Only, (NOT SERVICED) (Not Serviced)
-10									CAP, Alternator Pulley, Serviced with Alternator Only, (NOT SERVICED) (Not Serviced)
-11	6506 991AA	1				ED0			STUD, Alternator, Tensioner Mounting

JEEP WRANGLER (TJ)

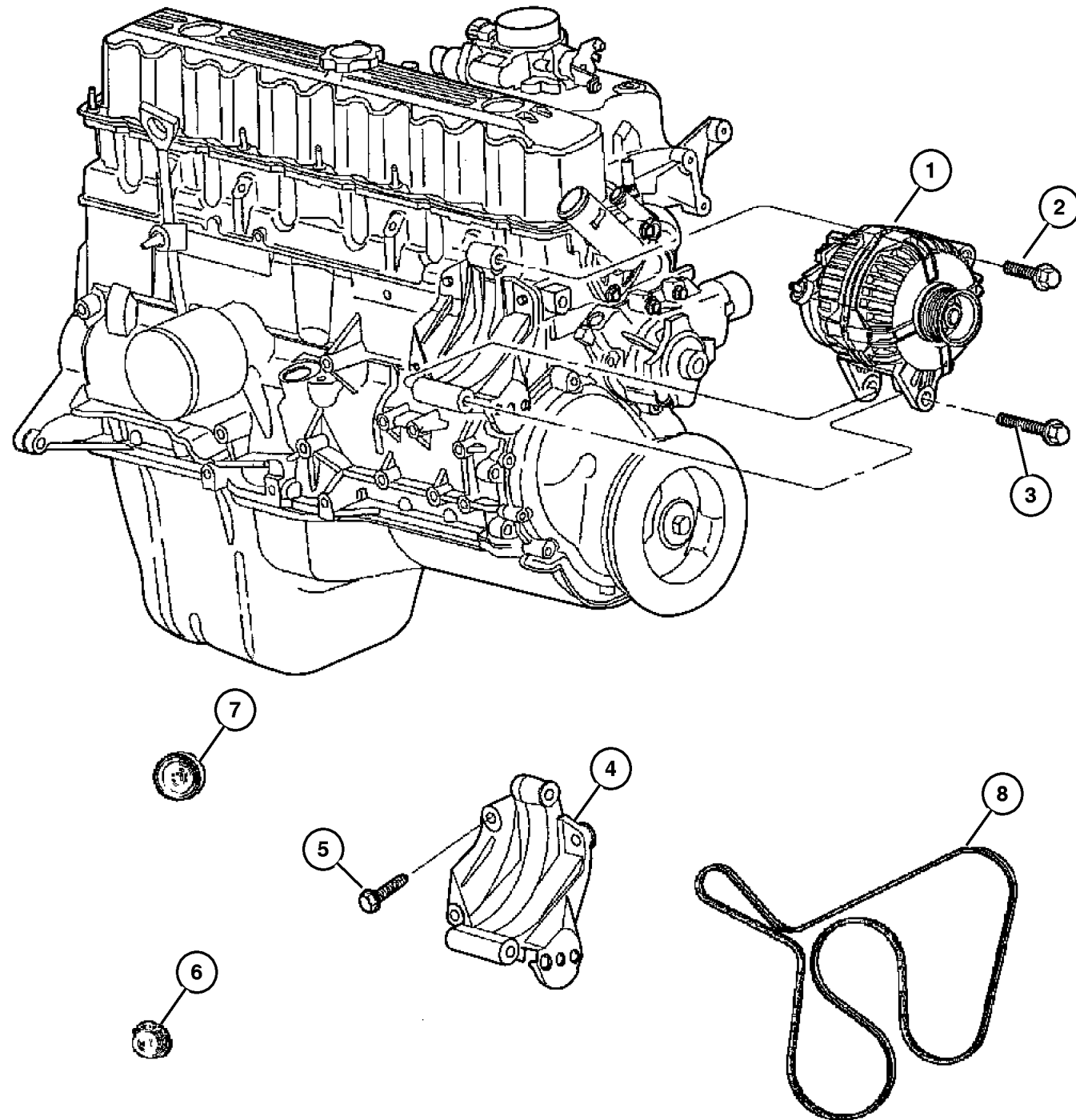
SERIES	LINE	BODY	ENGINE	TRANSMISSION
H = Sport	J = Wrangler 4WD	77 = 93.4 WB	ED1, ED0 = 2.4L DOHC	DGG, DGD = 32RH 3 Spd. Auto.
L = SE	U = Wrangler 4WD (RHD)		ERH = 4.0L Power Tech	DDD = 5 Speed HD Manual
M = X				DG0 = Auto. Trans.
P = Sahara				DBB = Manual Trans.
S = Rubicon				DDK = 5 Speed Manual

AR = Use as required - = Non illustrated part # = New this model year

January 6, 2004



## Alternator 4.0L Engine Figure 008-210



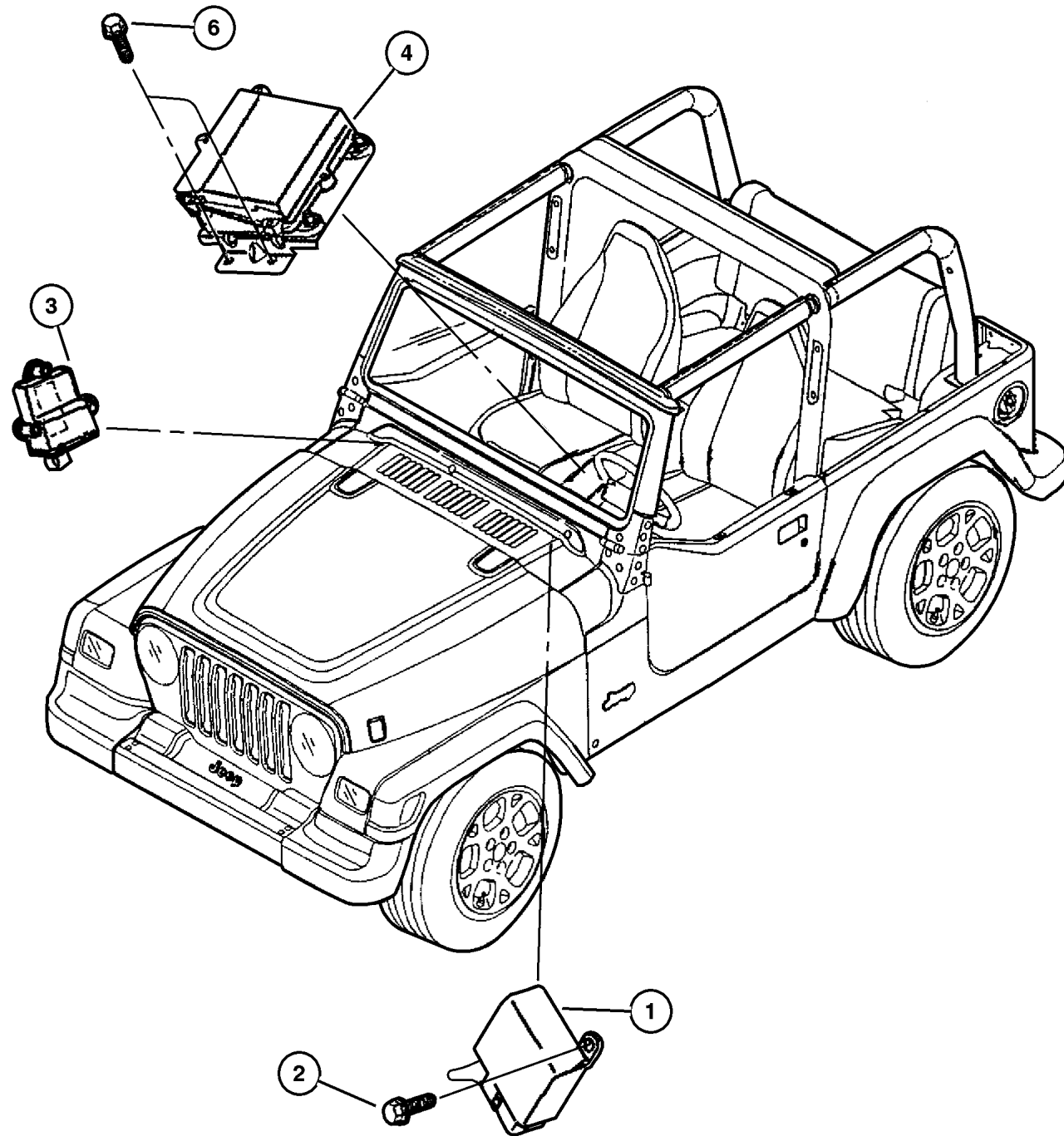
ITEM	PART NUMBER	QTY	LINE	SERIES	BODY	ENGINE	TRANS	TRIM	DESCRIPTION
Notes:									
[ER0]=4.0L Engine									
1	56041 864AB	1				ER0			ALTERNATOR
2	6505 488AA	1				ER0			SCREW AND WASHER, Hex
3	6504 344	1				ED0,			SCREW AND WASHER, Hex Head
						ER0			
4	4854 026	1				ER0			BRACKET, Alternator
5	0154 854AA	4				ER0			SCREW AND WASHER, Hex
6	4854 089AB	1				ER0			TENSIONER, Alternator Belt
7	4854 092	1				ER0			PULLEY, Idler
8									BELT, Accessory Drive
	53013 209AC	1				ER0			Without Air Conditioning
	4854 033AB	1				ER0			With Air Conditioning

<b>JEEP WRANGLER (TJ)</b>				
SERIES	LINE	BODY	ENGINE	TRANSMISSION
H = Sport	J = Wrangler 4WD	77 = 93.4 WB	ED1, ED0 = 2.4L DOHC	DGG, DGD = 32RH 3 Spd. Auto.
L = SE	U = Wrangler 4WD (RHD)		ERH = 4.0L Power Tech	DDD = 5 Speed HD Manual
M = X				DG0 = Auto. Trans.
P = Sahara				DBB = Manual Trans.
S = Rubicon				DDK = 5 Speed Manual

AR = Use as required - = Non illustrated part # = New this model year

January 6, 2004

Modules  
Figure 008-405



ITEM	PART NUMBER	QTY	LINE	SERIES	BODY	ENGINE	TRANS	TRIM	DESCRIPTION
1	5600 4262	1							MODULE, Daytime Running Lamp, Daytime Running Lamp
2									SCREW, 250-14x.625 (Not Serviced) ***, (NOT SERVICED) (Not Serviced)
3	56010 209AD	1							MODULE, Immobilizer
4	56010 533AA	1							MODULE, Air Bag Control
-5	J400 4642	1							SCREW, Round Head, .164-18x.560, Airbag Module Ground
6									SCREW, M6.3x1.81x20.00 , (NOT SERVICED) (Not Serviced)
-7	56041 897AE	1					DG6		MODULE, Transmission Control
-8	56047 125AB	1							BRACKET, Module, Daytime Running Lamp
-9	6505 901AA	3					DG0		SCREW, Hex Head, M6.3 x 1.27 x 16.00, Bracket to Transmission Module
-10									MODULE, Wiper
	55154 768AD	1	U		77				
	55156 374AC	1	J						

JEEP WRANGLER (TJ)

SERIES	LINE	BODY	ENGINE	TRANSMISSION
H = Sport	J = Wrangler 4WD	77 = 93.4 WB	ED1, ED0 = 2.4L DOHC	DGG, DGD = 32RH 3 Spd. Auto.
L = SE	U = Wrangler 4WD (RHD)		ERH = 4.0L Power Tech	DDD = 5 Speed HD Manual
M = X				DG0 = Auto. Trans.
P = Sahara				DBB = Manual Trans.
S = Rubicon				DDK = 5 Speed Manual

AR = Use as required - = Non illustrated part # = New this model year

January 6, 2004

**Power Distribution Center Relays and Fuses**  
**Figure 008-505**

ITEM	PART NUMBER	QTY	LINE	SERIES	BODY	ENGINE	TRANS	TRIM	DESCRIPTION
------	-------------	-----	------	--------	------	--------	-------	------	-------------

Notes:

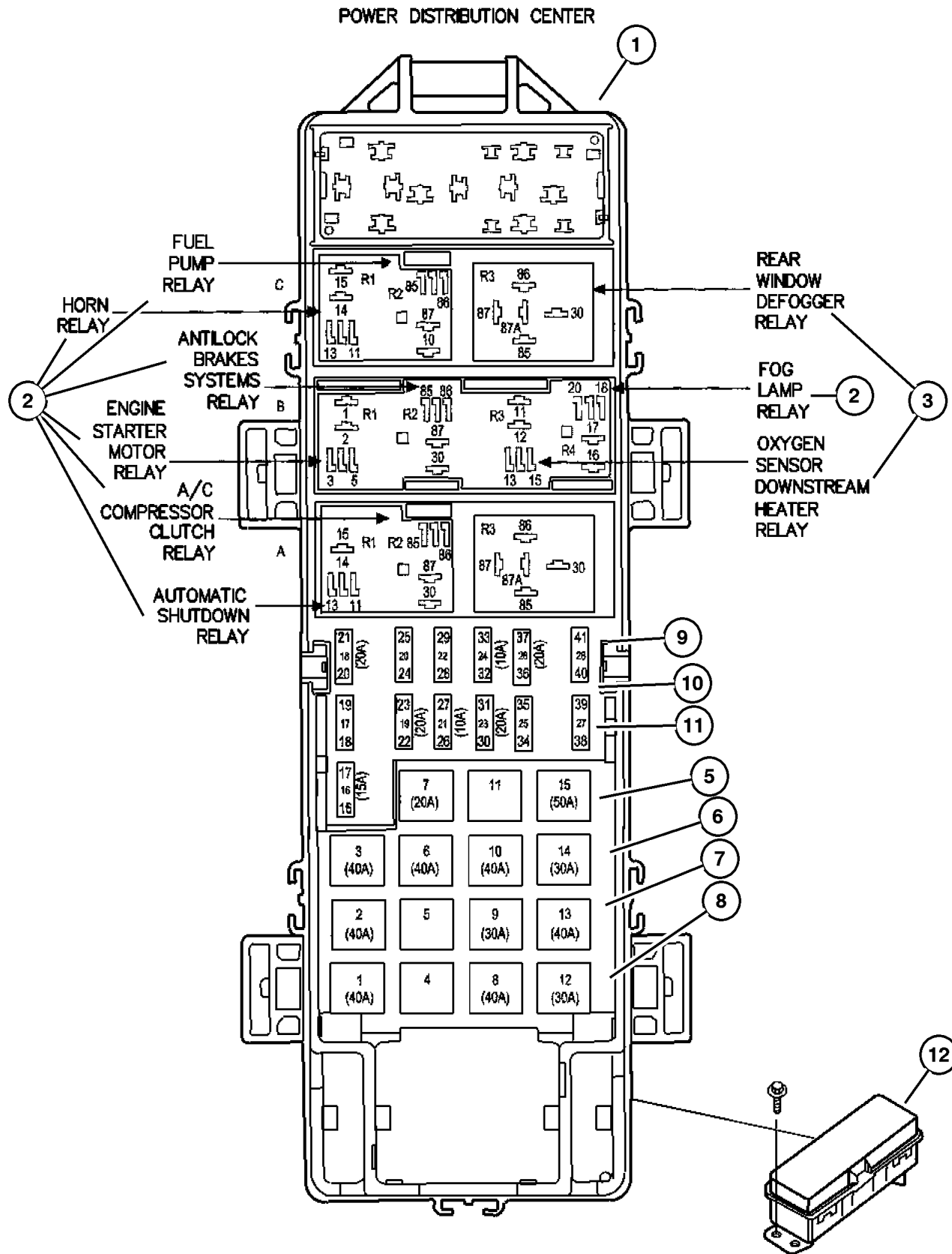
[DG0] = All Automatic Transmissions

1									POWER DISTRIBUTION CENTER, Serviced in Headlamp to Dash Harness, (NOT SERVICED) (Not Serviced)
2	4671 168	AR							RELAY, Mini, ABS Pump, Clutch, Heater & Foglamp
3	4638 094	1							RELAY PACKAGE, Electrical, Rear Defroster Relay
-4	4638 904	1							SEAL, Rear Defroster Relay
5	6102 075AA	AR							FUSE CARTRIDGE, 20 Amp
6	6102 076AA	AR							FUSE CARTRIDGE, 30 Amp
7	6102 077AA	1							FUSE CARTRIDGE, 40 Amp
8	6102 078AA	AR							FUSE CARTRIDGE, 50 Amp
9	00AT M10	2							FUSE, Mini, 10 AMP, Red
10	00AT M15	AR							FUSE, Mini, 15 AMP, Light Blue
11	00AT M20	1					DG0		FUSE, Mini, 20 AMP, Yellow
12	#5134 137AA	AR							COVER, Power Distribution Center

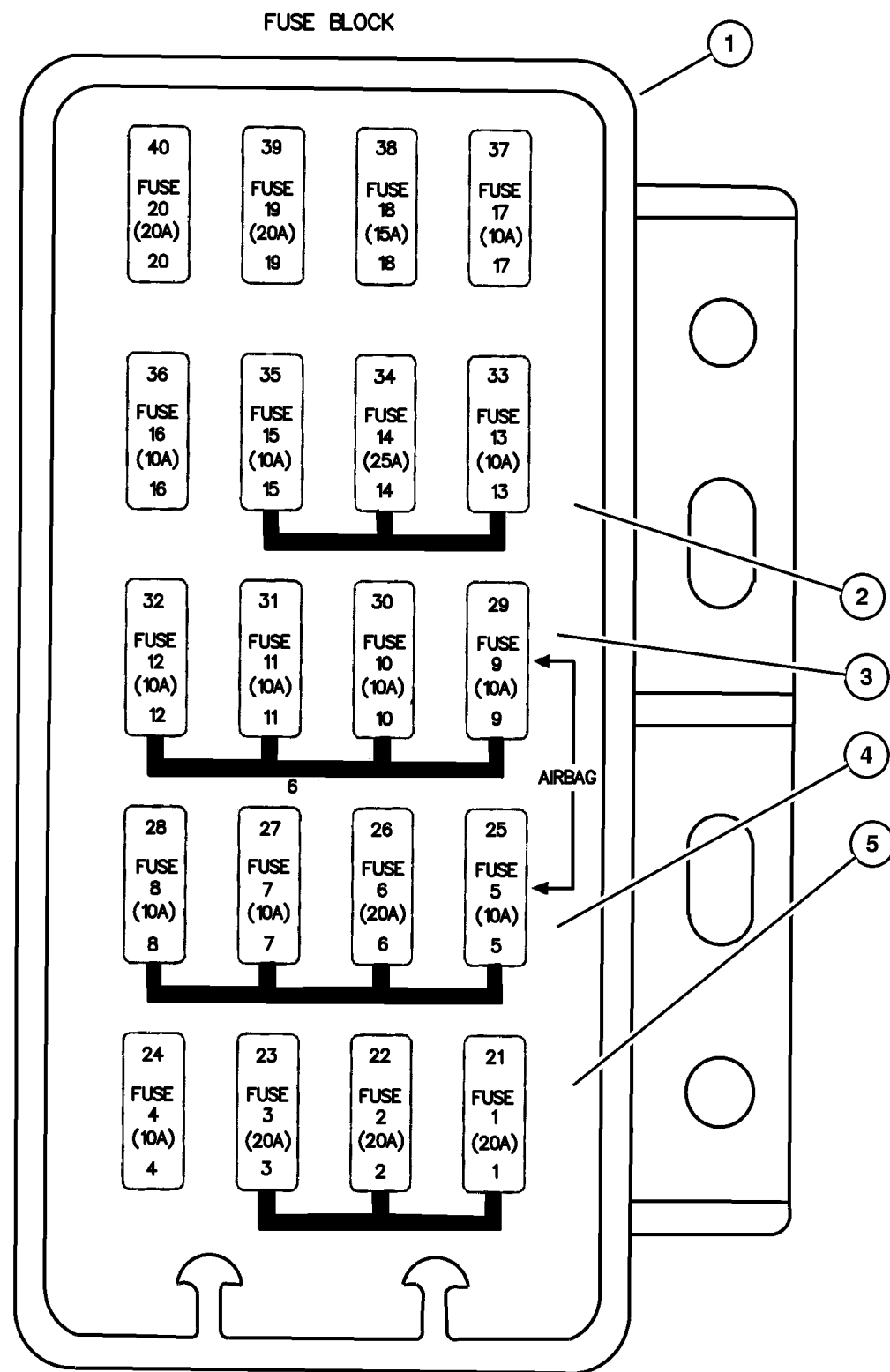
JEEP WRANGLER (TJ)		BODY	ENGINE	TRANSMISSION
SERIES	LINE	77 = 93.4 WB	ED1, ED0 = 2.4L DOHC ERH = 4.0L Power Tech	DGG, DGD = 32RH 3 Spd. Auto.
H = Sport	J = Wrangler 4WD			DDD = 5 Speed HD Manual
L = SE	U = Wrangler 4WD (RHD)			DG0 = Auto. Trans.
M = X				DBB = Manual Trans.
P = Sahara				DDK = 5 Speed Manual
S = Rubicon				

AR = Use as required - = Non illustrated part # = New this model year

January 6, 2004



# Fuse Block Figure 008-510



ITEM	PART NUMBER	QTY	LINE	SERIES	BODY	ENGINE	TRANS	TRIM	DESCRIPTION
------	-------------	-----	------	--------	------	--------	-------	------	-------------

Notes:

[DG0] = All Automatic Transmissions

1									BLOCK, Fuse, Serviced in Cross Body Harness, (NOT SERVICED) (Not Serviced)
2	00AT M10	2							FUSE, Mini, 10 AMP, Red
3	00AT M15	AR							FUSE, Mini, 15 AMP, Light Blue
4	00AT M20	1					DG0		FUSE, Mini, 20 AMP, Yellow
5	00AT M25	AR							FUSE, Mini, 25 Amp, Natural
-6	56047 126AA	1				ED0			BREAKER, Circuit
-7	6101 757	2					DG0		FUSIBLE LINK

### JEEP WRANGLER (TJ)

SERIES	LINE	BODY	ENGINE	TRANSMISSION
H = Sport	J = Wrangler 4WD	77 = 93.4 WB	ED1, ED0 = 2.4L DOHC	DGG, DGD = 32RH 3 Spd. Auto.
L = SE	U = Wrangler 4WD (RHD)		ERH = 4.0L Power Tech	DDD = 5 Speed HD Manual
M = X				DG0 = Auto. Trans.
P = Sahara				DBB = Manual Trans.
S = Rubicon				DDK = 5 Speed Manual

AR = Use as required - = Non illustrated part # = New this model year

January 6, 2004

**Sensors 2.4L Engine [ED0]  
Figure 008-605**

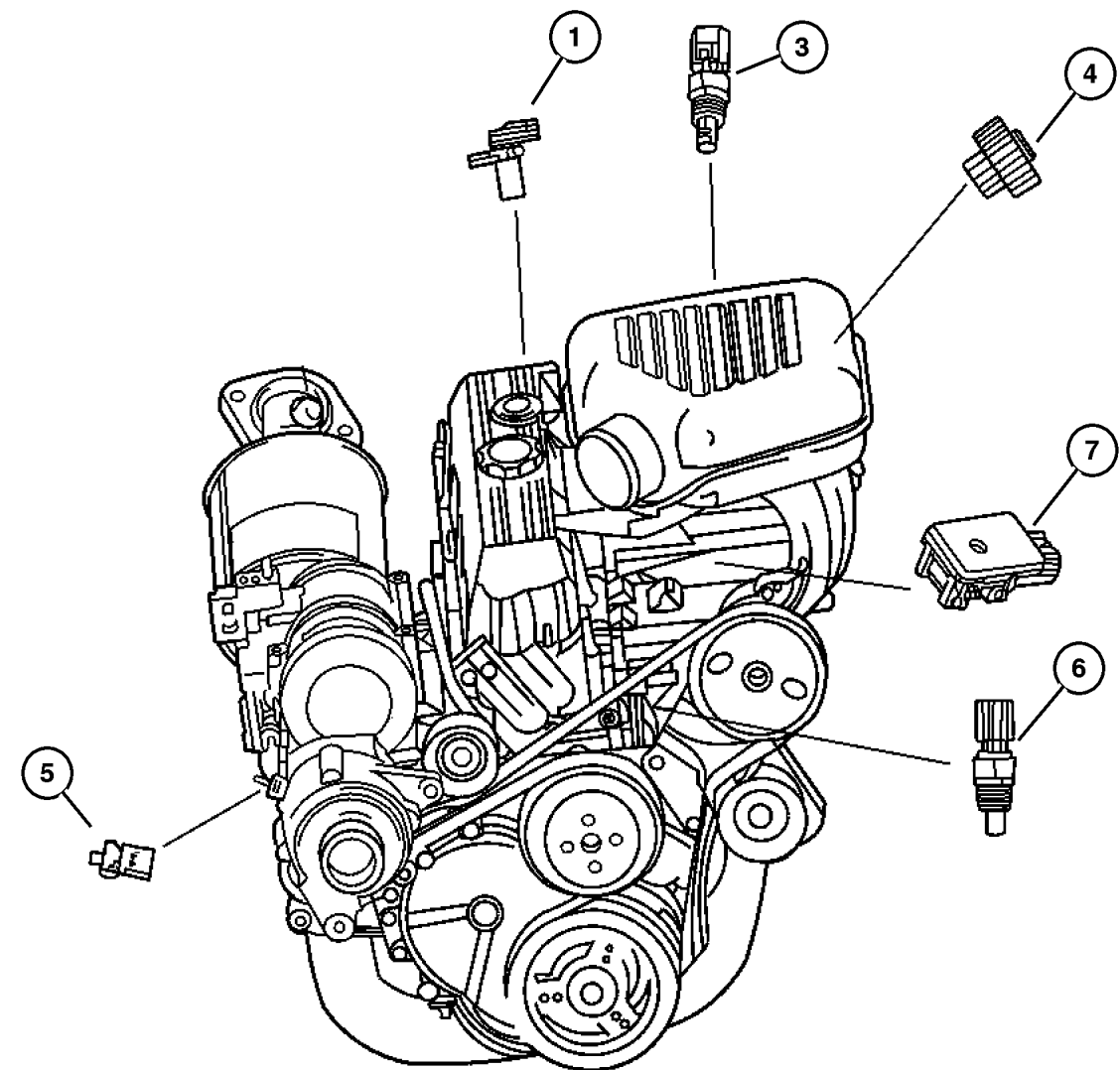
ITEM	PART NUMBER	QTY	LINE	SERIES	BODY	ENGINE	TRANS	TRIM	DESCRIPTION
------	-------------	-----	------	--------	------	--------	-------	------	-------------

Notes:

[EP0] = 2.5L Engine

[ER0] = 4.0L Engine

1	56041 552AD	1				ED0			SENSOR, Crankshaft Position
-2	6507 220AA	1				ED0			SCREW, M6x1x14, Crank Sensor Mounting
3	56028 364AA	1				ED0			SENSOR, Air Temperature
4	5019 411AB	1				ED0			SENSOR KIT, Throttle Position
5	4608 303AB	1				ED0			SWITCH, Oil Pressure
6	5602 7873	1				ED0			SENSOR, Coolant Temperature
7	56041 018AB	1				ED0			SENSOR, Map
-8	6505 501AA	2				ED0			SCREW, M4x16, Map Sensor attaching
-9	5072 759AA	1				ED0			SENSOR, Camshaft
-10	55177 252AB	1							BRACKET, ABS Sensor



**JEEP WRANGLER (TJ)**

SERIES	LINE	BODY	ENGINE	TRANSMISSION
H = Sport	J = Wrangler 4WD	77 = 93.4 WB	ED1, ED0 = 2.4L DOHC	DGG, DGD = 32RH 3 Spd. Auto.
L = SE	U = Wrangler 4WD (RHD)		ERH = 4.0L Power Tech	DDD = 5 Speed HD Manual
M = X				DG0 = Auto. Trans.
P = Sahara				DBB = Manual Trans.
S = Rubicon				DDK = 5 Speed Manual

AR = Use as required - = Non illustrated part # = New this model year

January 6, 2004

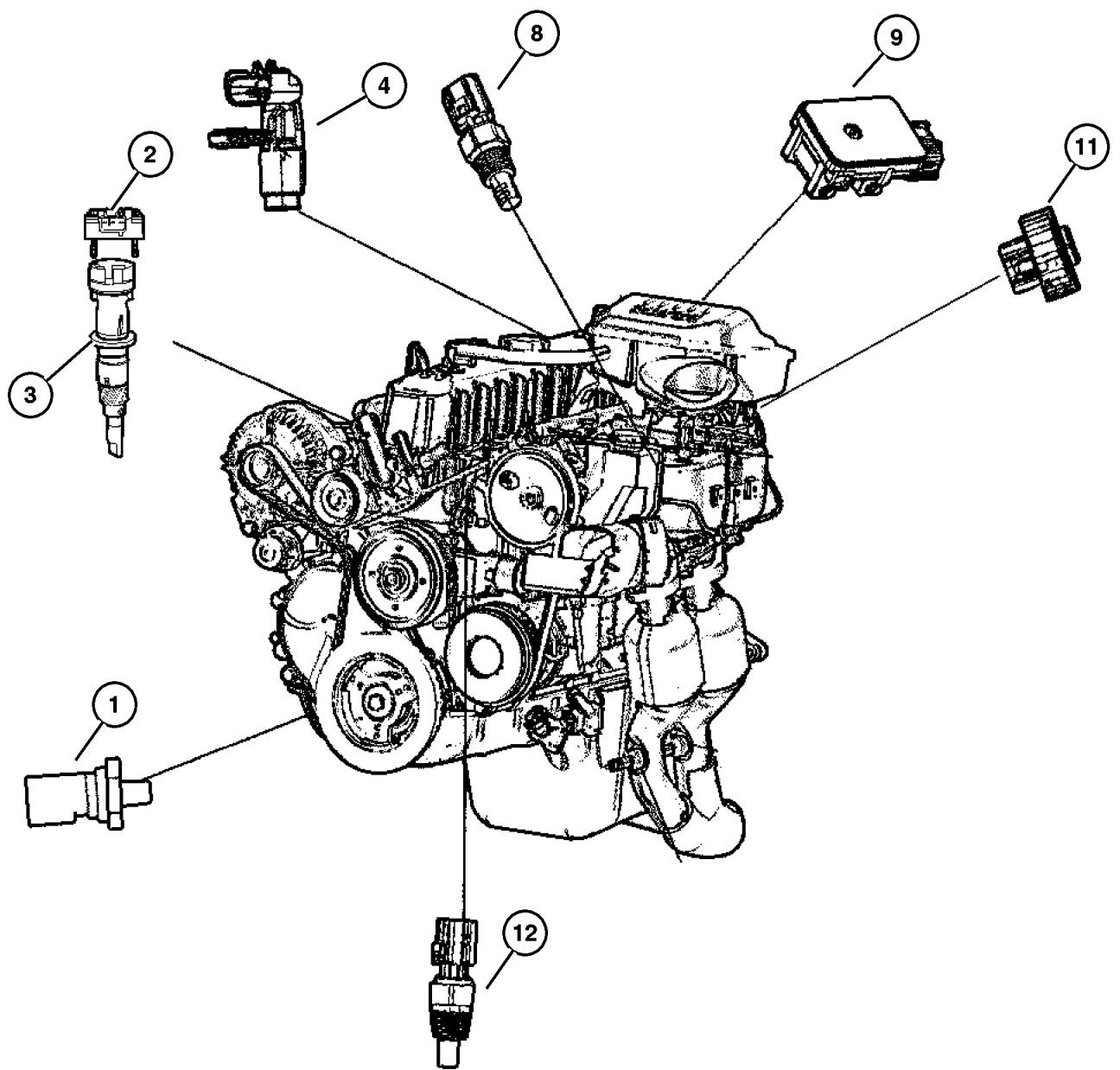
Sensors Engine 4.0L [ER0]  
Figure 008-610

ITEM	PART NUMBER	QTY	LINE	SERIES	BODY	ENGINE	TRANS	TRIM	DESCRIPTION
------	-------------	-----	------	--------	------	--------	-------	------	-------------

Notes:

[ER0]=All 4.0L Engine  
[DG0]=All Automatic Transmissions

1	4868 672AA	1				ER0			SWITCH, Oil Pressure
2	4897 023AA	1				ER0			SENSOR, Camshaft
3	53010 615AA	1				ER0			DRIVE, OIL PUMP
4	56027 865AB	1				ER0	DBB		SENSOR, Crankshaft Position Manual Transmission
	4727 451AA	1				ER0	DG0		Automatic Transmission
-5	6503 520	2				ER0	DBB		BOLT AND WASHER, Hex Head, M7x1.00x25, [Crank Sensor attaching, M7x1.00x25.00]
-6	6501 957	1				ER0	DG0		SCREW, [M6x1.00x20.00]
-7	56041 697AA	1				ER0	DBB		BRACKET, Crank Sensor Wiring
8	5602 7872	1				ER0			SENSOR, Air Temperature
9	56044 545AA	1				ER0			SENSOR, Map, 11/02/02 & After
-10	6504 512	2				ER0			SCREW, Pan Head, Map Sensor attaching
11	5019 411AB	1				ER0			SENSOR KIT, Throttle Position
12	5602 7873	1				ER0			SENSOR, Coolant Temperature
-13	56027 978AB	1				ER0			CONNECTOR
	56044 191AA	1				ER0	DG0		
-14	J420 0413	2				ER0			PLUG, Cylinder Block Oil Hole, Oxygen Sensor Hole
-15	55177 252AB	1							BRACKET, ABS Sensor



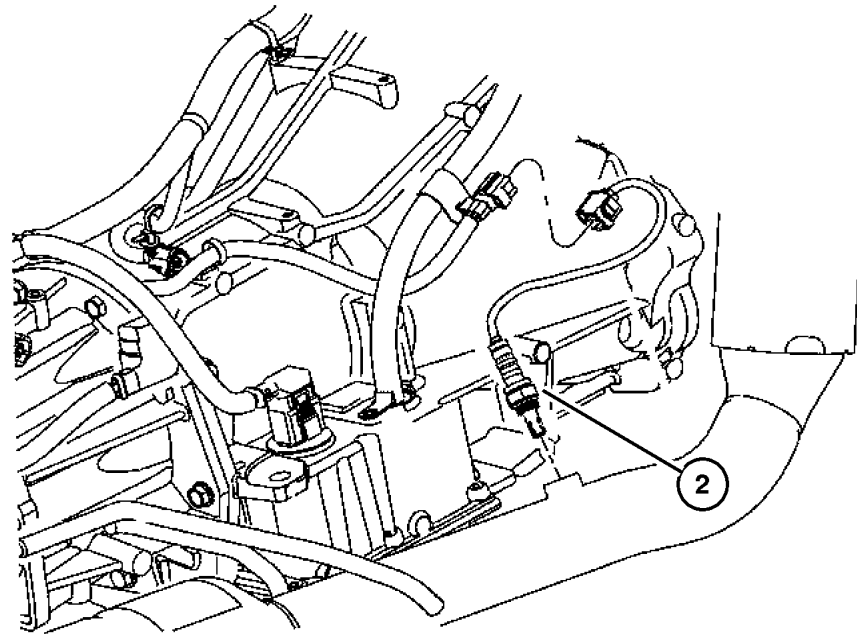
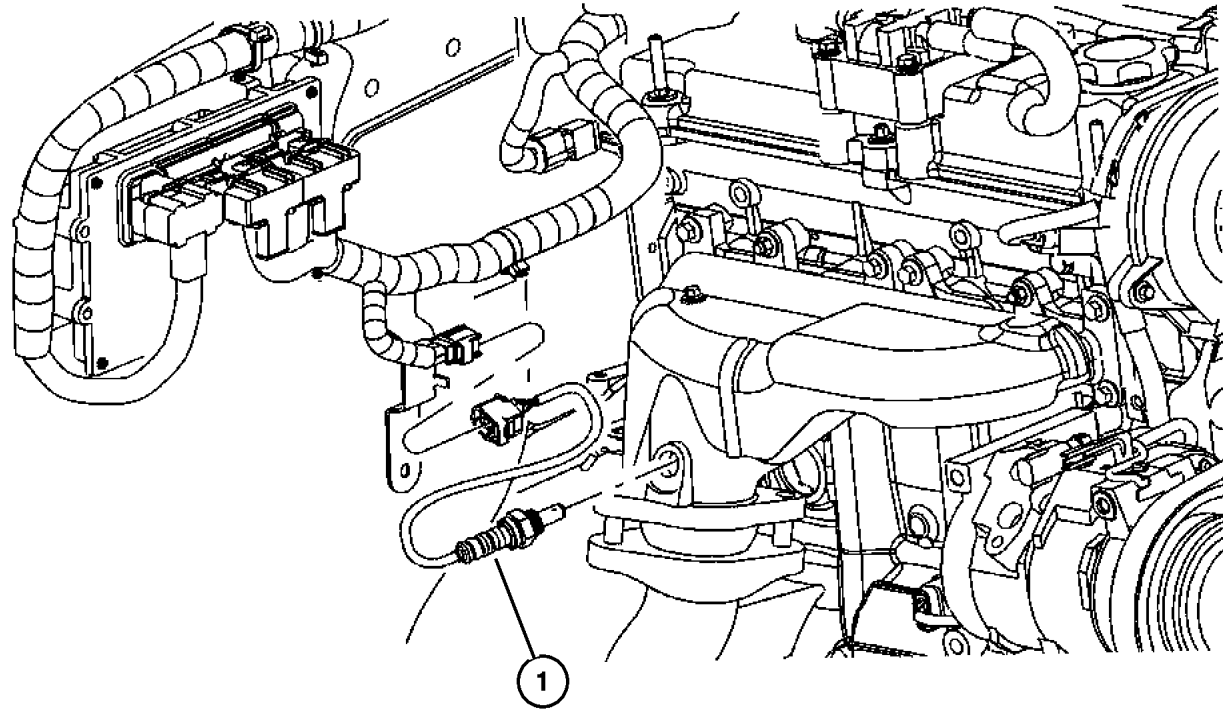
**JEEP WRANGLER (TJ)**  
 SERIES LINE BODY ENGINE TRANSMISSION  
 H = Sport J = Wrangler 4WD 77 = 93.4 WB ED1, ED0 = 2.4L DOHC DGG, DGD = 32RH 3 Spd.  
 L = SE U = Wrangler 4WD (RHD) ERH = 4.0L Power Tech Auto.  
 M = X  
 P = Sahara  
 S = Rubicon  
 DDD = 5 Speed HD Manual  
 DG0 = Auto. Trans.  
 DBB = Manual Trans.  
 DDK = 5 Speed Manual

AR = Use as required - = Non illustrated part # = New this model year

January 6, 2004

Sensors, Oxygen 2.4L [ED0]  
Figure 008-615

ITEM	PART NUMBER	QTY	LINE	SERIES	BODY	ENGINE	TRANS	TRIM	DESCRIPTION
1	56041 944AA	1				ED0			SENSOR, Oxygen, Before catalyst
2	56041 846AA	1				ED0			SENSOR, Oxygen, After catalyst



JEEP WRANGLER (TJ)

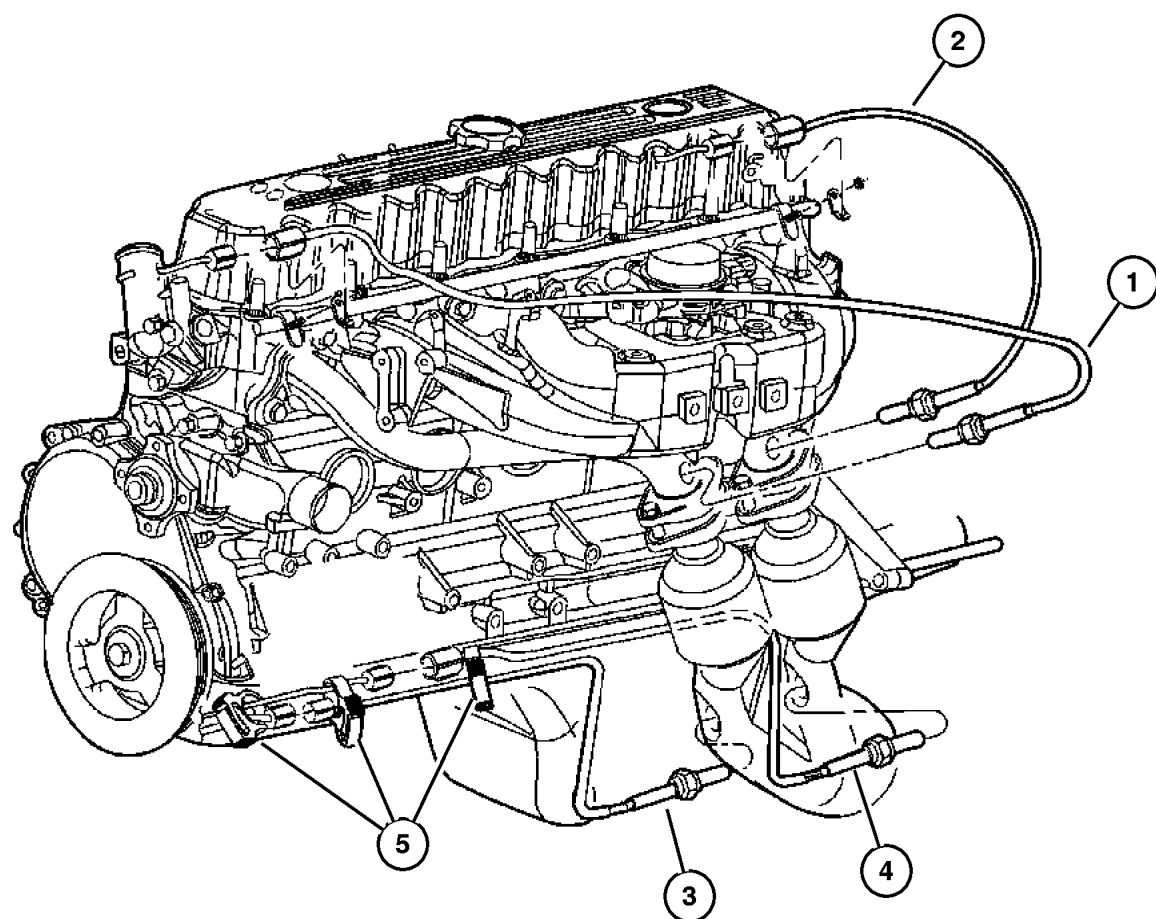
SERIES	LINE	BODY	ENGINE	TRANSMISSION
H = Sport	J = Wrangler 4WD	77 = 93.4 WB	ED1, ED0 = 2.4L DOHC	DGG, DGD = 32RH 3 Spd. Auto.
L = SE	U = Wrangler 4WD (RHD)		ERH = 4.0L Power Tech	DDD = 5 Speed HD Manual
M = X				DG0 = Auto. Trans.
P = Sahara				DBB = Manual Trans.
S = Rubicon				DDK = 5 Speed Manual

AR = Use as required - = Non illustrated part # = New this model year

January 6, 2004

Sensors Oxygen 4.0L [ER0]  
Figure 008-620

ITEM	PART NUMBER	QTY	LINE	SERIES	BODY	ENGINE	TRANS	TRIM	DESCRIPTION
1	#56028 994AA	1				ER0			SENSOR, Oxygen, Before catalyst rear
2	#56028 995AA	1				ER0			SENSOR, Oxygen, Before catalyst front
3	#56028 996AA	1				ER0			SENSOR, Oxygen, After catalyst front
4	#5139 021AA	1				ER0			SENSOR PACKAGE, Oxygen, After catalyst rear
5									CLIP, (NOT SERVICED) (Not Serviced)



JEEP WRANGLER (TJ)

SERIES	LINE	BODY	ENGINE	TRANSMISSION
H = Sport	J = Wrangler 4WD	77 = 93.4 WB	ED1, ED0 = 2.4L DOHC	DGG, DGD = 32RH 3 Spd. Auto.
L = SE	U = Wrangler 4WD (RHD)		ERH = 4.0L Power Tech	DDD = 5 Speed HD Manual
M = X				DG0 = Auto. Trans.
P = Sahara				DBB = Manual Trans.
S = Rubicon				DDK = 5 Speed Manual

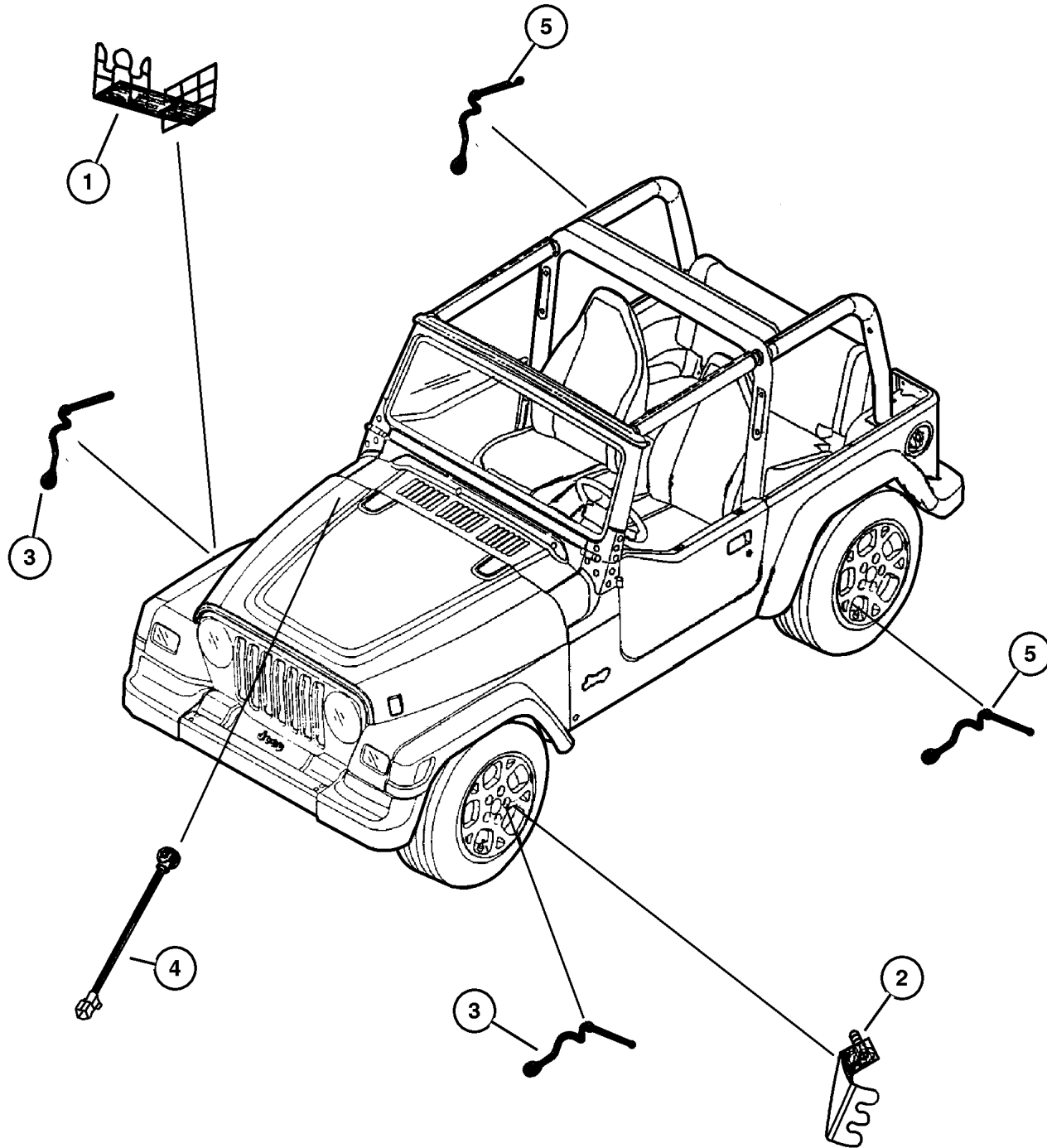
AR = Use as required - = Non illustrated part # = New this model year

January 6, 2004



Sensors - Body  
Figure 008-625

ITEM	PART NUMBER	QTY	LINE	SERIES	BODY	ENGINE	TRANS	TRIM	DESCRIPTION
1									BRACKET, Brake Sensor
	5200 7804	1	J						Right
	5200 7805	1	J						Left
	5602 6766	1	J						At Steering Knucle / Upper Ball Stud, Right
	5602 6767	1	J						At Steering Knucle / Upper Ball Stud, Left
2	5200 8920	1							BRACKET, ABS Sensor
3	5602 7727	2	J						SENSOR, Anti-Lock Brakes, Front
4	5602 7332	1							SENSOR, Battery Temperature
5									SENSOR, Anti-Lock Brakes
	5602 7728	1	J						Rear Right
	5602 7729	1	J						Rear Left
-6	5200 8919	1							BRACKET, ABS Sensor
-7	5604 2395	1							SENSOR, Ambient Temperature
-8	56047 123AB	1							BRACKET, Ambient Temperature Sensor



JEEP WRANGLER (TJ)

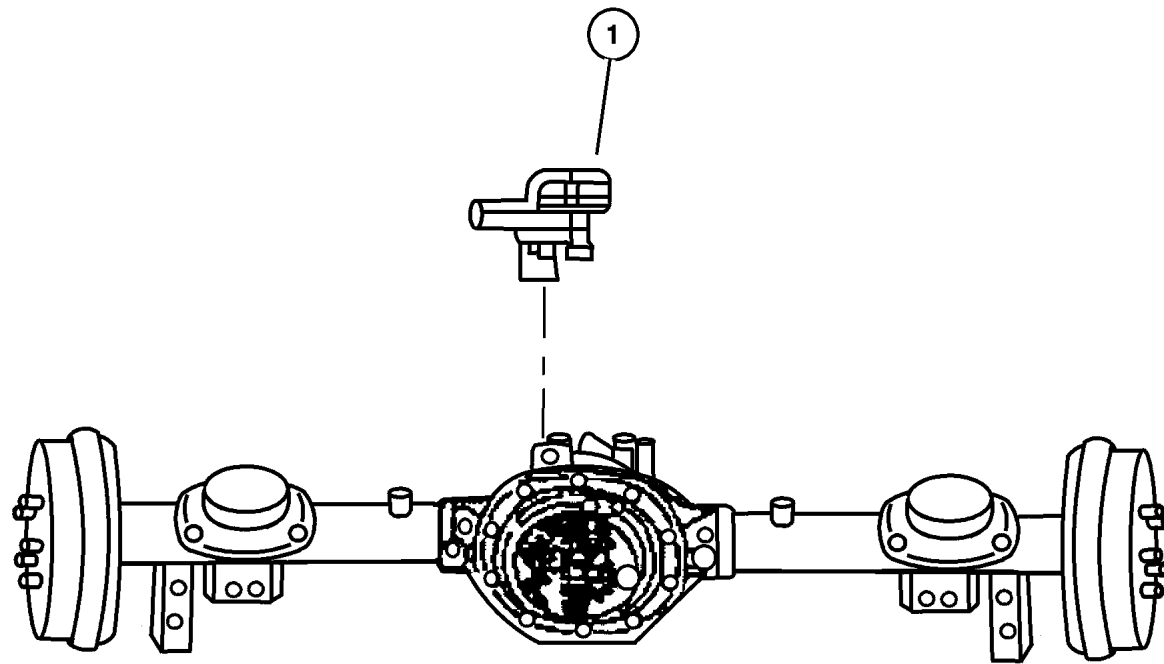
SERIES	LINE	BODY	ENGINE	TRANSMISSION
H = Sport	J = Wrangler 4WD	77 = 93.4 WB	ED1, ED0 = 2.4L DOHC	DGG, DGD = 32RH 3 Spd. Auto.
L = SE	U = Wrangler 4WD (RHD)		ERH = 4.0L Power Tech	DDD = 5 Speed HD Manual
M = X				DG0 = Auto. Trans.
P = Sahara				DBB = Manual Trans.
S = Rubicon				DDK = 5 Speed Manual

AR = Use as required - = Non illustrated part # = New this model year

January 6, 2004

Sensors Drive Train  
Figure 008-630

ITEM	PART NUMBER	QTY	LINE	SERIES	BODY	ENGINE	TRANS	TRIM	DESCRIPTION
1	5602 7905	1							SENSOR, Vehicle Speed
-2									SENSOR, Transmission Output Speed
	52854 001AA	1				ER0	DG6		
		1				ED0	DG6		
-3									SENSOR, Transmission Input Speed
	4799 061AB	1				ER0	DG6		
		1				ED0	DG6		
-4									SENSOR, Manual Valve Lever
	4659 677AC	1				ER0	DG6		
		1				ED0	DG6		
-5	5093 610AA	1							SENSOR, Speed
-6	5093 612AA	1							SEAL, Speed Sensor (O-Ring)
-7	6503 254	2							SCREW, Hex Head, Speed Sensor Wiring Clip to Frame



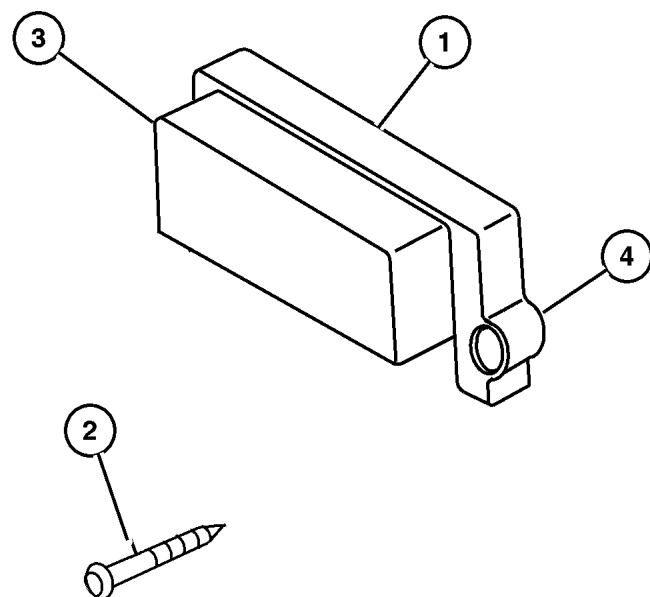
JEEP WRANGLER (TJ)

SERIES	LINE	BODY	ENGINE	TRANSMISSION
H = Sport	J = Wrangler 4WD	77 = 93.4 WB	ED1, ED0 = 2.4L DOHC	DGG, DGD = 32RH 3 Spd. Auto.
L = SE	U = Wrangler 4WD (RHD)		ERH = 4.0L Power Tech	DDD = 5 Speed HD Manual
M = X				DG0 = Auto. Trans.
P = Sahara				DBB = Manual Trans.
S = Rubicon				DDK = 5 Speed Manual

AR = Use as required - = Non illustrated part # = New this model year

January 6, 2004

**Single Board Engine Controllers (JTEC Module)  
Figure 008-705**



ITEM	PART NUMBER	QTY	LINE	SERIES	BODY	ENGINE	TRANS	TRIM	DESCRIPTION
Notes:									
[ED0]=24L Engine									
[ER0]=4.0L Engine									
[DG0]=Automatic Transmission									
[DBB]= Manual Transmission									
[NA1]=Export Emission									
[NAS]=U.S. 50 States Emission									
[NB3]=Euro Stage III Emission									
[NBJ]=Japan Low Emission Vehicle									
[NBT]=Transitory Low Emission Vehicle									
[NBV]=Low Emission Vehicle									
1									MODULE, Powertrain Control
	#56044 419AC	1		S		ER0	DDD		[NAS] [NBG]
	#56044 474AC	1				ED0	DG6		[NAS] NB9]
	#56044 477AC	1		H, L, M, P		ER0	DDD		[NAS] [NBG]
	#56044 478AC	1		H, L, M, P		ER0	DG6		[NAS] [NBG]
	#56044 421AC	1				ER0	DDD		[NA1] [NB3]
	#56044 422AC	1				ER0	DDD		[NA1] [NBJ]
	#56044 433AC	1		S		ER0	DG6		[NAS] [NBG]
	#56044 447AC	1				ER0	DG6		[NA1] [NB3]
		1		H, L, M, P		ER0	DG6		[NA1] [NB3]
	#56044 452AC	1				ER0	DG6		[NA1] [NBJ]
	#56044 455AC	1				ED0	DDK		[NAS] NB9]
	#56044 473AC	1				ED0	DDK		[NA1] [NB3]
2									SCREW, [.190-16x1.75] , (NOT SERVICED) (Not Serviced)
3									COVER, Module, (NOT SERVICED) (Not Serviced)
4	56041 929AB	1					DG0		BRACKET, Control Unit

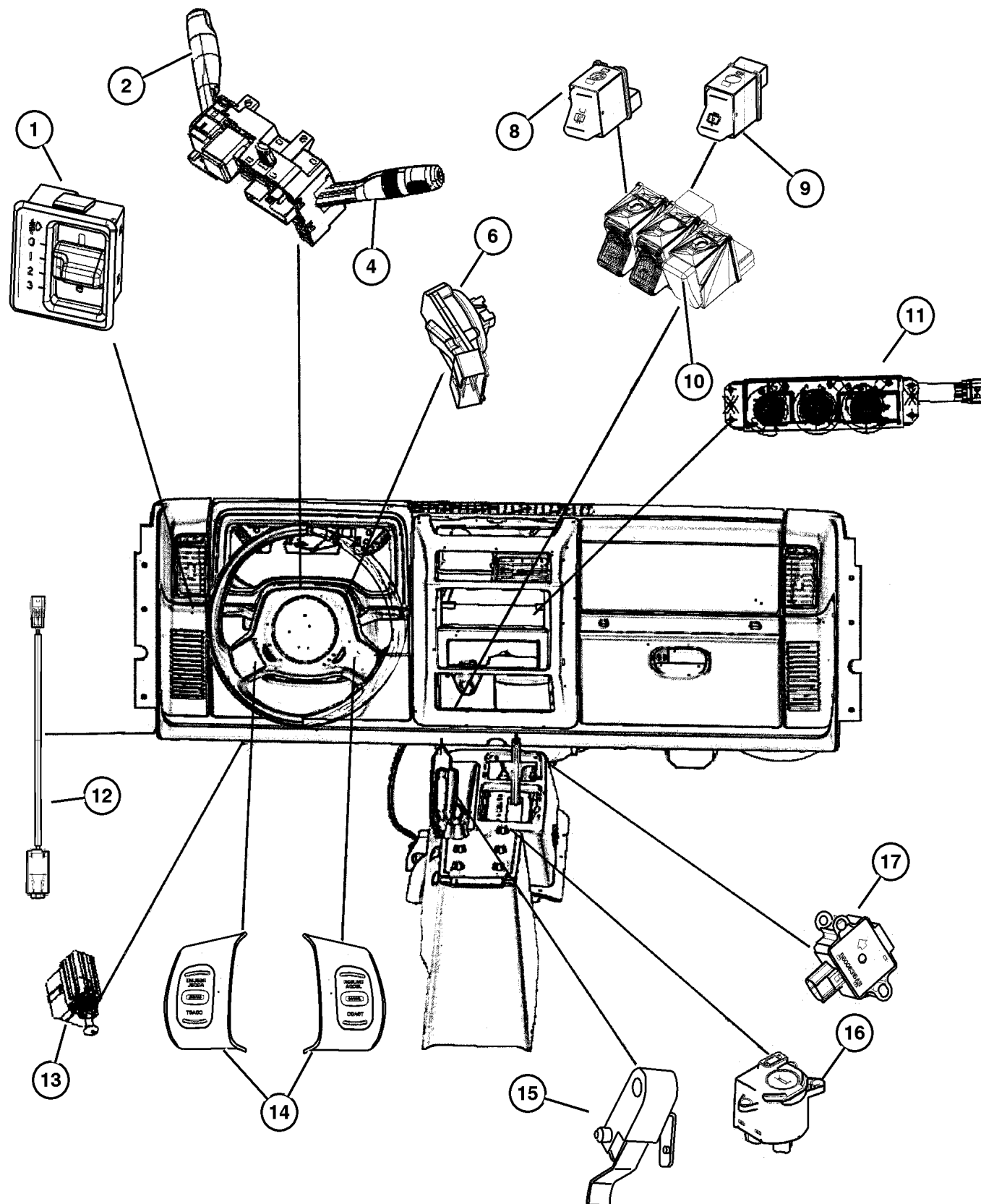
**JEEP WRANGLER (TJ)**

SERIES	LINE	BODY	ENGINE	TRANSMISSION
H = Sport	J = Wrangler 4WD	77 = 93.4 WB	ED1, ED0 = 2.4L DOHC	DGG, DGD = 32RH 3 Spd. Auto.
L = SE	U = Wrangler 4WD (RHD)		ERH = 4.0L Power Tech	DDD = 5 Speed HD Manual
M = X				DG0 = Auto. Trans.
P = Sahara				DBB = Manual Trans.
S = Rubicon				DDK = 5 Speed Manual

AR = Use as required - = Non illustrated part # = New this model year

January 6, 2004

## Switches - Instrument Panel Figure 008-805



ITEM	PART NUMBER	QTY	LINE	SERIES	BODY	ENGINE	TRANS	TRIM	DESCRIPTION
Notes:									
DG0=Automatic Transmission									
DBB= Manual Transmission									
1	56009 640AB	1							SWITCH, Headlamp Leveling, Headlamp Leveling (Export)
2									SWITCH, Multifunction, Left Stalk Includes Interior Lights, Exterior Lights (High/Low) & Turn Signal Controls
	5016 708AC	1							Without Foglamp
	5016 709AC	1							With Front Foglamp
	5016 710AC	1							With Rear Foglamp (Export)
-3	55315 027AB	1							WATERSHIELD, Switch, Left
4									SWITCH, Intermittent Wiper, Right Stalk Includes Windshield Washer & Wiper Functions
	5016 711AB	1							Without Foglamp
		1							With Front Foglamp
		1							With Rear Foglamp
-5	55315 026AB	1							WATERSHIELD, Switch, Right
6									SWITCH, Ignition
	4793 576AB	1					DG0		
		1					DBB		
-7	6035 021	1					DBB		SCREW, Pan Head Tapping, .125-40x.437, Igniton Switch Attaching
8									SWITCH, Electric Back Light
	5600 7250	1					DBB		
		1					DG0		
9									SWITCH, Wiper and Washer
	5600 7249	1					DBB		Rear
		1					DG0		Rear
10									PLUG, Switch Opening Over Drive Lockout
	56007 285AB	1					DBB		
	5600 7329	1					DBB		Heated Rear Window
		1					DG0		Heated Rear Window
	5600 7330	1					DBB		Rear Washer & Wiper
		1					DG0		Rear Washer & Wiper
	56047 065AA	1					DBB		Axle Lock
		1					DG0		Axle Lock
11									SWITCH, A/C and Heater Vacuum Without Air Conditioning
	5013 832AA	1	U			77			

### JEEP WRANGLER (TJ)

SERIES  
H = Sport  
L = SE  
M = X  
P = Sahara  
S = Rubicon

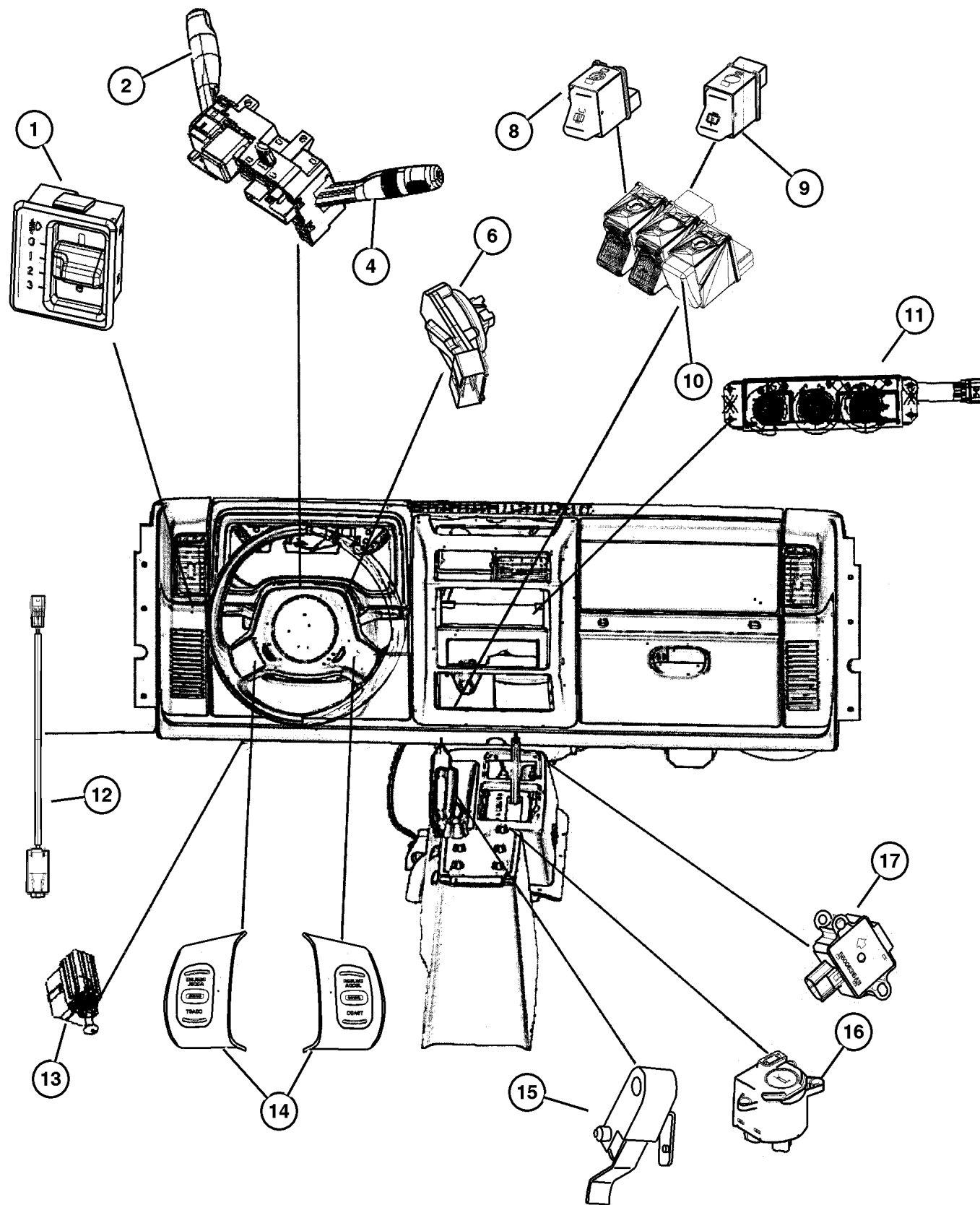
LINE  
J = Wrangler 4WD  
U = Wrangler 4WD (RHD)

BODY  
77 = 93.4 WB

ENGINE  
ED1, ED0 = 2.4L DOHC  
ERH = 4.0L Power Tech

TRANSMISSION  
DGG, DGD = 32RH 3 Spd. Auto.  
DDD = 5 Speed HD Manual  
DG0 = Auto. Trans.  
DBB = Manual Trans.  
DDK = 5 Speed Manual

Switches - Instrument Panel  
Figure 008-805



ITEM	PART NUMBER	QTY	LINE	SERIES	BODY	ENGINE	TRANS	TRIM	DESCRIPTION
	5013 833AA	1	U		77				With Air Conditioning
12	5600 9047	1	J				DBB		SWITCH, Clutch Starter Interlock
		1	U		77		DBB		
13	4671 336	1							SWITCH, Stop Lamp
14	5GY38 DX9AA	1							SWITCH, Speed Control Right
	5GY39 DX9AA	1							Left
15	5212 7960	1							SWITCH, Parking Brake
16	56010 301AB	1					DBB		SWITCH, Passenger Airbag Disarm
		1					DG0		
17	56053 025AA	1							SWITCH, ABS Acceleration
-18	56047 020AA	1					DG0		SWITCH, Overdrive Lockout
-19	4886 258AA	1							SWITCH, Programing Bypass

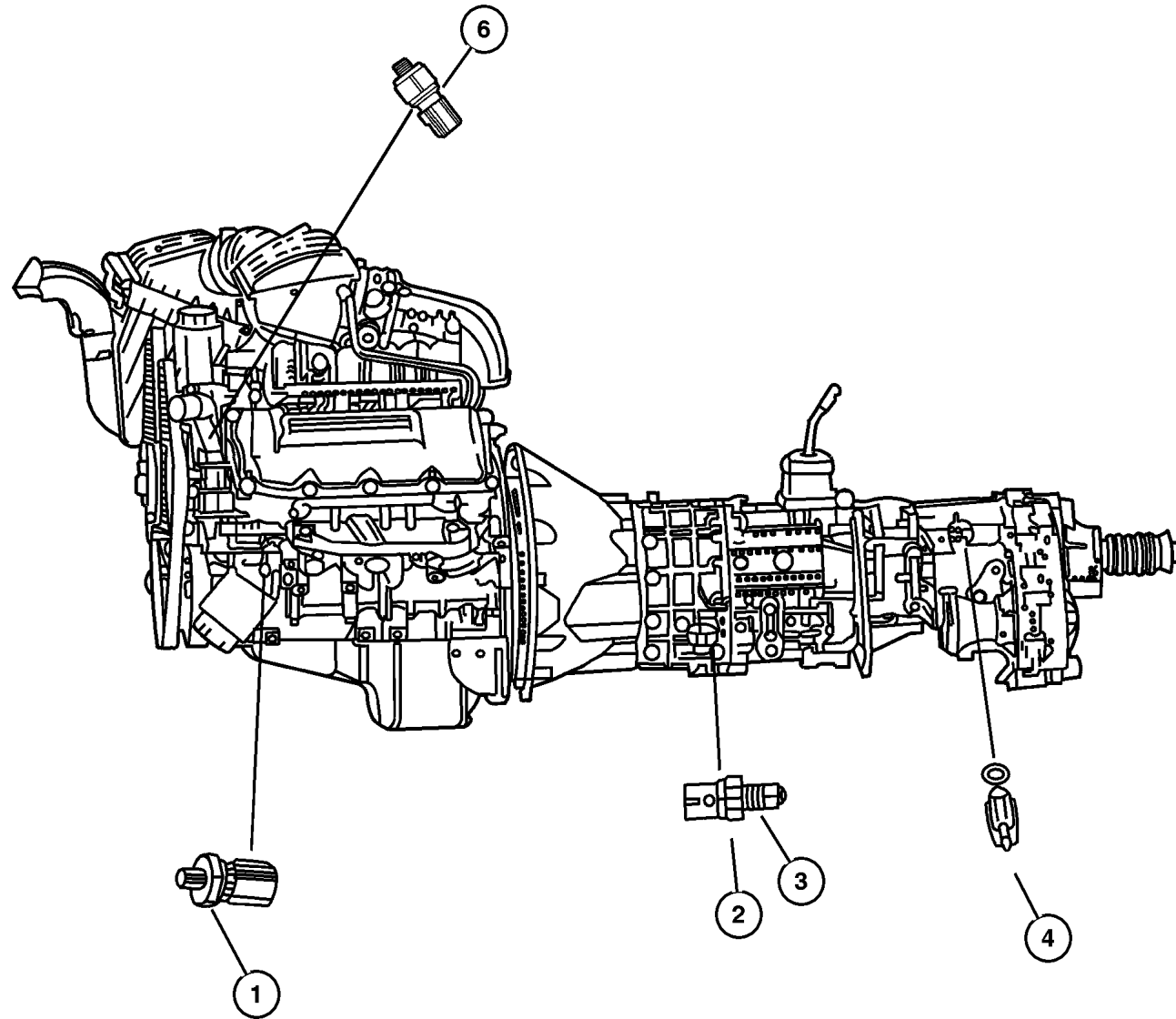
JEEP WRANGLER (TJ)

SERIES	LINE	BODY	ENGINE	TRANSMISSION
H = Sport	J = Wrangler 4WD	77 = 93.4 WB	ED1, ED0 = 2.4L DOHC	DGG, DGD = 32RH 3 Spd. Auto.
L = SE	U = Wrangler 4WD (RHD)		ERH = 4.0L Power Tech	DDD = 5 Speed HD Manual
M = X				DG0 = Auto. Trans.
P = Sahara				DBB = Manual Trans.
S = Rubicon				DDK = 5 Speed Manual

AR = Use as required - = Non illustrated part # = New this model year

January 6, 2004

Switches Drivetrain  
Figure 008-810



ITEM	PART NUMBER	QTY	LINE	SERIES	BODY	ENGINE	TRANS	TRIM	DESCRIPTION
Notes:									
[EP0] = 2.5L Engine									
[ER0] = 4.0L Engine									
[DBB] = Manual Transmission									
[DGG] = 3 Speed Automatic Transmission									
[DGD] = 3 Speed Automatic Transmission									
[DGQ] = 5 Speed Automatic Transmission									
[DDD] = 5 Speed Manual Transmission									
1									SWITCH, Oil Pressure
	4868 672AA	1				ER0			
	4608 303AB	1				ED0			
2									SENSOR, Manual Valve Lever
	4659 677AC	1			77	ER0	DG6		
		1				ED0	DG6		
3									SWITCH, Back Up Lamp
	5600 7163	1	J			ER0	DDD		
		1	U		77	ER0	DDD		
		1			77	ED0	DDK		
4									SWITCH, Transfer Case Mode
	J813 4473	1					DDK, DG0		
		1					DDD		
-5	5083 138AA	1							SWITCH, Transfer Case, 5 Position
6	56044 169AA	1	J			ED0			SWITCH, Power Steering
-7	5011 214AA	1	U		77				SWITCH, Blower Control, With or Without Air Conditioning
-8	56047 020AA	1					DG0		SWITCH, Overdrive Lockout
-9	#56047 066AC	1					DBB		SWITCH, Axle Lock
		1					DG0		
-10	56044 169AA	1	J			ED0			SWITCH, Power Steering

JEEP WRANGLER (TJ)

SERIES  
H = Sport  
L = SE  
M = X  
P = Sahara  
S = Rubicon

LINE  
J = Wrangler 4WD  
U = Wrangler 4WD (RHD)

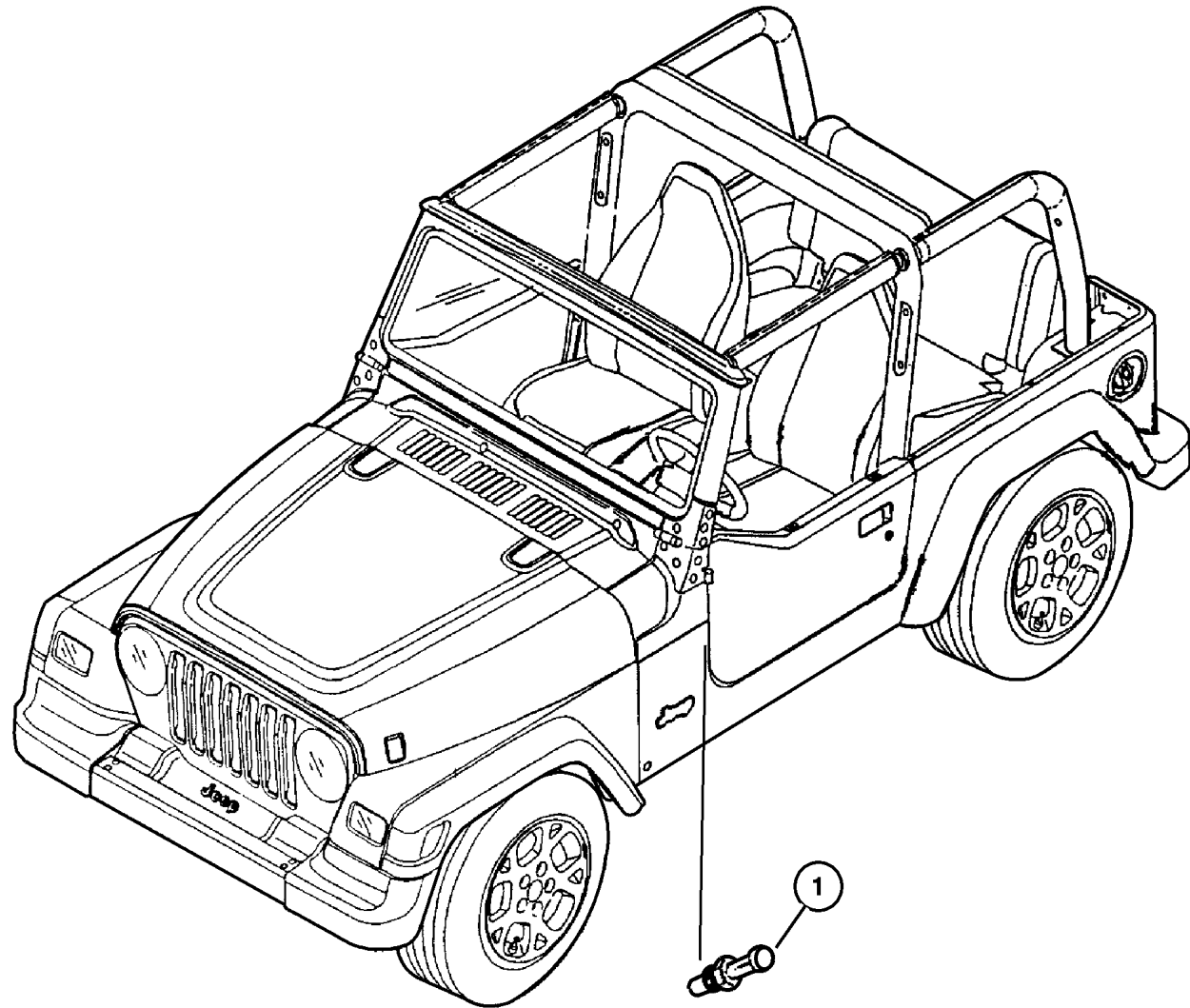
BODY  
77 = 93.4 WB

ENGINE  
ED1, ED0 = 2.4L DOHC  
ERH = 4.0L Power Tech

TRANSMISSION  
DGG, DGD = 32RH 3 Spd.  
Auto.  
DDD = 5 Speed HD Manual  
DG0 = Auto. Trans.  
DBB = Manual Trans.  
DDK = 5 Speed Manual

Switches - Body  
Figure 008-815

ITEM	PART NUMBER	QTY	LINE	SERIES	BODY	ENGINE	TRANS	TRIM	DESCRIPTION
1	4687 558	2							SWITCH, Door Ajar



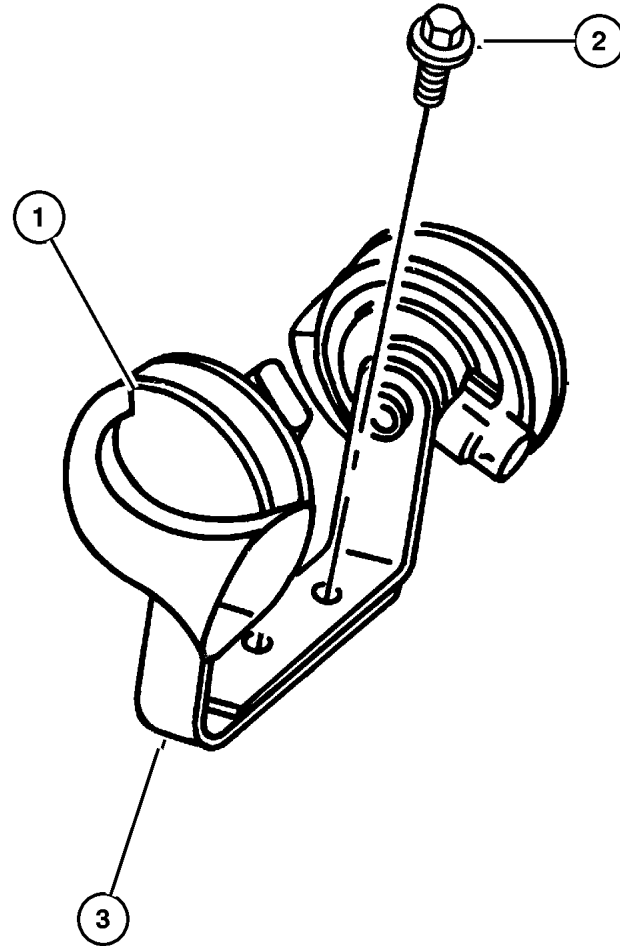
<b>JEEP WRANGLER (TJ)</b>				
SERIES	LINE	BODY	ENGINE	TRANSMISSION
H = Sport	J = Wrangler 4WD	77 = 93.4 WB	ED1, ED0 = 2.4L DOHC	DGG, DGD = 32RH 3 Spd. Auto.
L = SE	U = Wrangler 4WD (RHD)		ERH = 4.0L Power Tech	DDD = 5 Speed HD Manual
M = X				DG0 = Auto. Trans.
P = Sahara				DBB = Manual Trans.
S = Rubicon				DDK = 5 Speed Manual

AR = Use as required - = Non illustrated part # = New this model year

January 6, 2004

## Horns Figure 008-905

ITEM	PART NUMBER	QTY	LINE	SERIES	BODY	ENGINE	TRANS	TRIM	DESCRIPTION
1	56047 032AA	1							HORN, Low Note
2									SCREW, Tap, M8x1.25x22, (NOT SERVICED) (Not Serviced)
3									BRACKET, Horn Mounting (Serviced In Assembly Item # 1), (NOT SERVICED) (Not Serviced)



JEEP WRANGLER (TJ)				
SERIES	LINE	BODY	ENGINE	TRANSMISSION
H = Sport	J = Wrangler 4WD	77 = 93.4 WB	ED1, ED0 = 2.4L DOHC	DGG, DGD = 32RH 3 Spd. Auto.
L = SE	U = Wrangler 4WD (RHD)		ERH = 4.0L Power Tech	DDD = 5 Speed HD Manual
M = X				DG0 = Auto. Trans.
P = Sahara				DBB = Manual Trans.
S = Rubicon				DDK = 5 Speed Manual

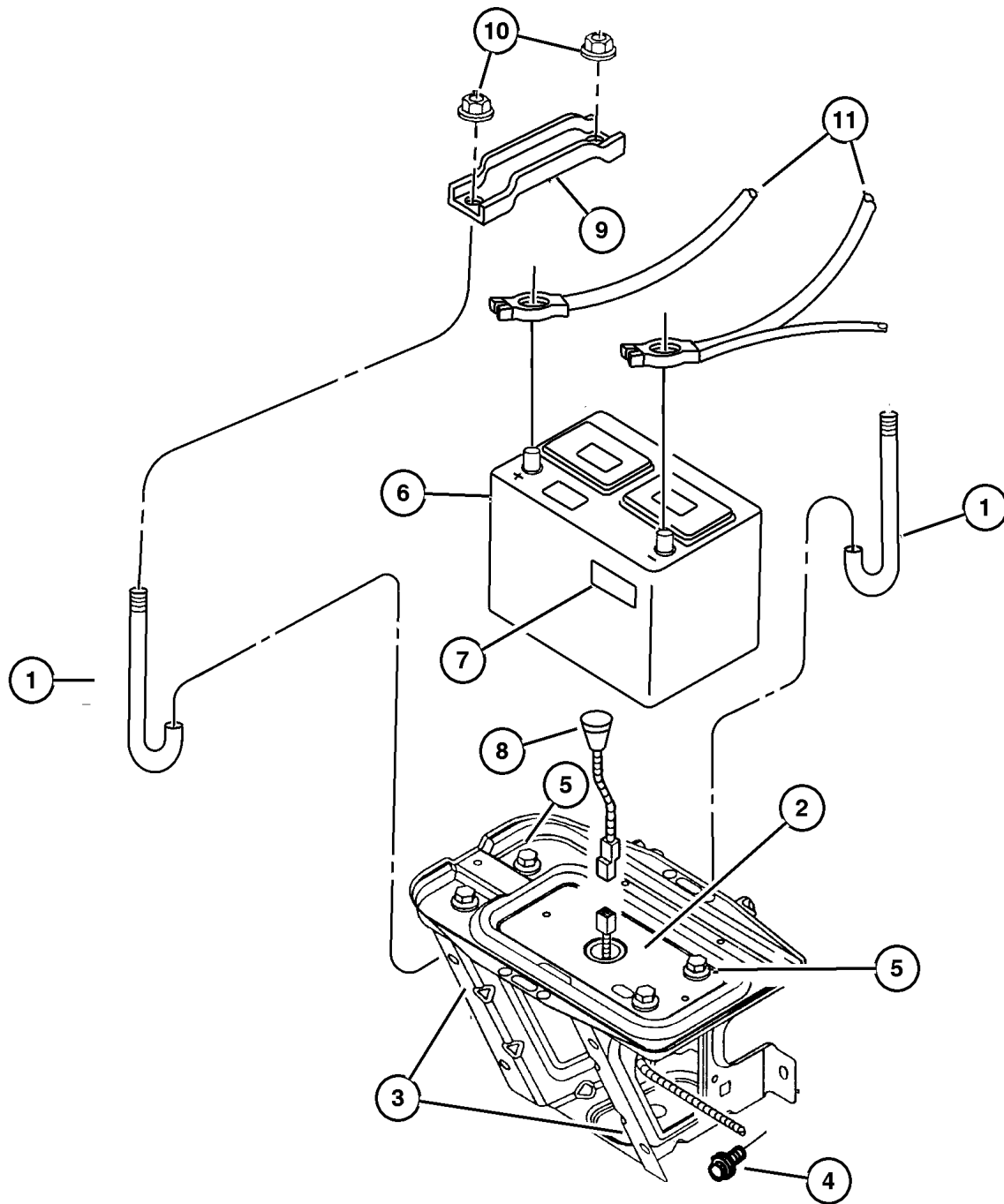
AR = Use as required   - = Non illustrated part   # = New this model year

January 6, 2004



## Battery Tray & Cables Figure 008-1005

ITEM	PART NUMBER	QTY	LINE	SERIES	BODY	ENGINE	TRANS	TRIM	DESCRIPTION
Notes:									
									[EP0] =2.5L Engine
									[ER0] =4.0L Engine
1	5502 6434	2							ROD, Battery
2	55174 728AB	1							TRAY, Battery
3									REINFORCEMENT, Battery Tray
	55174 782AD	1							Right
	55174 783AD	1							Left
4	6100 583	4							BOLT AND CONED WASHER, Hex
									Head, M8x25x20
5	0180 077	1							BOLT, Hex Head, 5/16x18x3/4
6	4364 945	1				ED0, ER0			BATTERY
7						ED0, ER0			LABEL, Battery
	4793 062	1							Eroupe
	5604 1046	1	J						French
8	5602 7332	1							SENSOR, Battery Temperature
9	5501 4361	1							BRACKET, Battery Hold Down
10	6025 007	2							NUT AND WASHER, Hex, .312-18
11									WIRING, Battery
	#56044 431AB	1	J			ER0			
	#56044 432AB	1	U		77	ER0			
	#56048 004AB	1	J			ED0			
-12	55176 426AB	1							PROTECTOR, Wiring
-13									SCREW, .437-14x.75, (NOT SERVICED) (Not Serviced)
-14	5604 1047	1	J						LABEL, Battery Jump Start
-15	6101 808	2							NUT, Hex, M6x1, Battery Cable to PDC attaching
-16						ED0			BRACKET, Wiring Harness
	56044 161AA	1	J						Located Near Steering Column Shaft, Left
	56044 162AB	1				ED0			Mounted by Dash Panel, Right



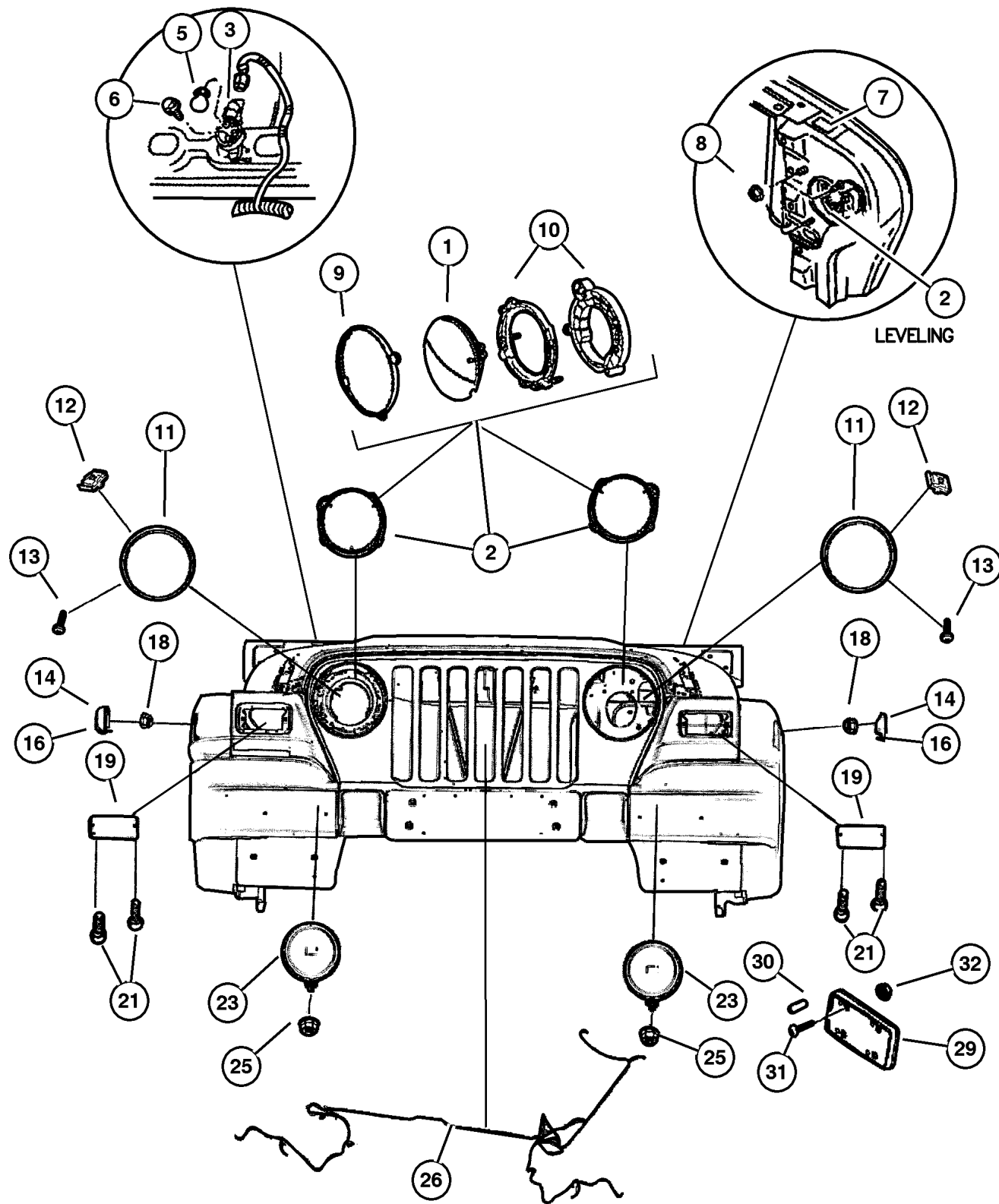
### JEEP WRANGLER (TJ)

SERIES	LINE	BODY	ENGINE	TRANSMISSION
H = Sport	J = Wrangler 4WD	77 = 93.4 WB	ED1, ED0 = 2.4L DOHC	DGG, DGD = 32RH 3 Spd. Auto.
L = SE	U = Wrangler 4WD (RHD)		ERH = 4.0L Power Tech	DDD = 5 Speed HD Manual
M = X				DG0 = Auto. Trans.
P = Sahara				DBB = Manual Trans.
S = Rubicon				DDK = 5 Speed Manual

AR = Use as required - = Non illustrated part # = New this model year

January 6, 2004

Lamps--Front  
Figure 008-1105



ITEM	PART NUMBER	QTY	LINE	SERIES	BODY	ENGINE	TRANS	TRIM	DESCRIPTION
Notes:									
[EP0] = 2.5L Engine									
[ER0] = 4.0L Engine									
1	0154 905AA	1							BULB, H6024BL, For use with 7' Round Headlamp (Replacement Sealed Beam Bulb)
2	55055 036AD	1	J						HEADLAMP Without Leveling (Europe), Right
	55055 039AD	1	U			77			Without Leveling (Europe), Left
	55055 250AD	1	U			77			With Leveling (Europe), Right
	55055 251AD	1	U			77			With Leveling (Europe), Left
	55055 037AD	1	J						Without Leveling (Europe), Left
	55055 040AD	1	J						With Leveling (Europe), Right
	55055 041AD	1	J						With Leveling (Europe), Left
	4874 379	1	J						Europe (Qty. 02)
	4874 380	1	U			77			Europe (Qty. 02)
	55055 032AE	1							7' Round (Complete Headlamp Assembly), Right
	55055 033AE	1							7' Round (Complete Headlamp Assembly), Left
	55055 038AD	1	U			77			Without Leveling (Europe), Right
3	5602 1441	1							LAMP, Underhood
-4	4897 446AA	1							LENS, Lamp Module, Underhood Lamp
5	L000 0561	1							BULB, 561, Underhood Lamp
6									SCREW, 0.190-16x.625 , (NOT SERVICED) (Not Serviced)
7	5263 188	1							LABEL, Headlamp Leveling, H/Lamp Leveling System (AUSTRALIA, SOUTH AFRICA, SOUTH KOREA, UNITED KINGDOM, UNITED KINGDOM MARKET PACKAGE)
8	6101 443	6							NUT AND WASHER, Hex, M5x.80
9	4874 378	1							RETAINER, Headlamp Bulb
		1	J			77			
		1	U			77			
		1	J						
10									SEAT, Headlamp, Serviced in Item 5 Headlamp, (NOT SERVICED) (Not Serviced)
11									BEZEL, Headlamp

JEEP WRANGLER (TJ)

SERIES  
H = Sport  
L = SE  
M = X  
P = Sahara  
S = Rubicon

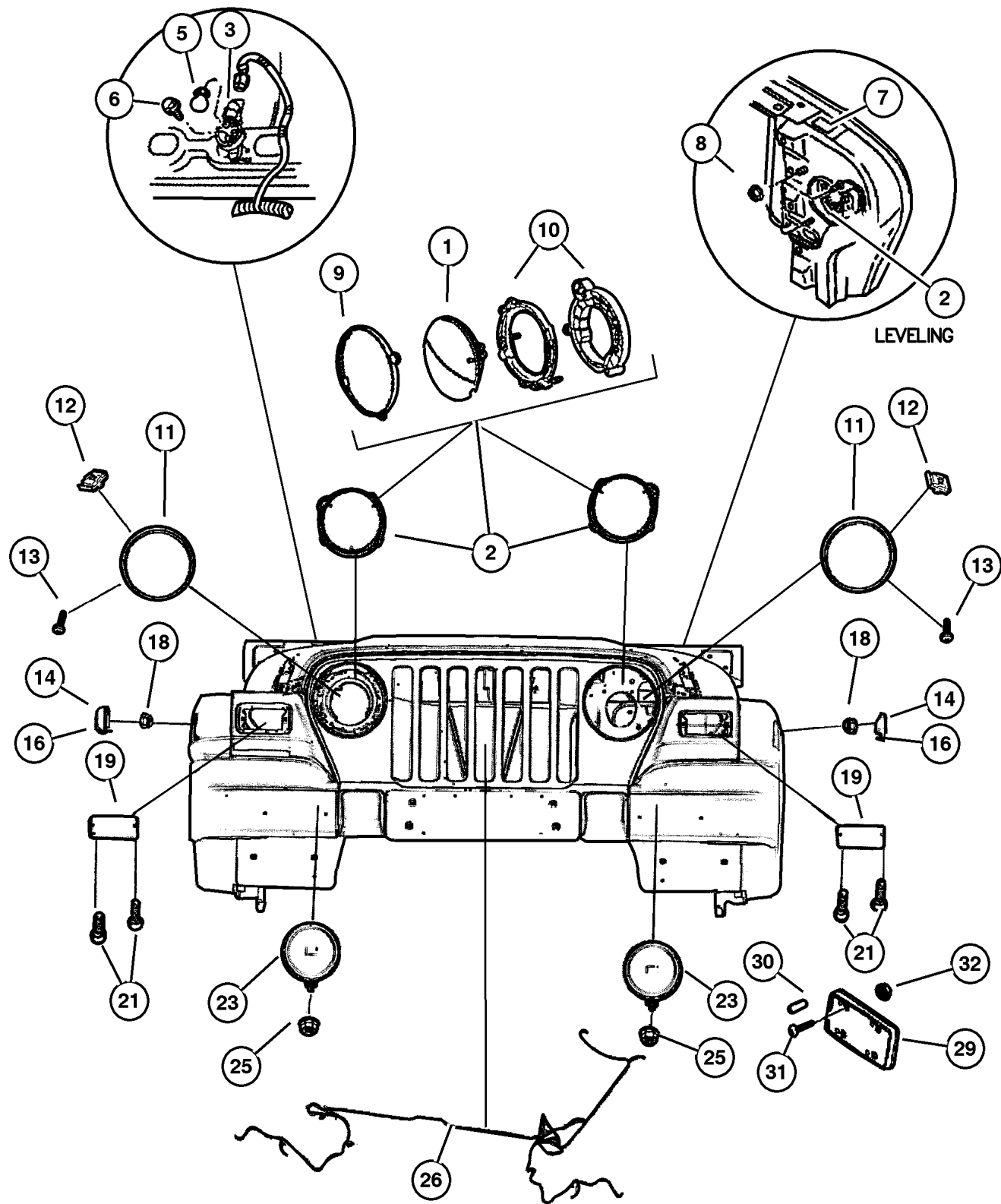
LINE  
J = Wrangler 4WD  
U = Wrangler 4WD (RHD)

BODY  
77 = 93.4 WB

ENGINE  
ED1, ED0 = 2.4L DOHC  
ERH = 4.0L Power Tech

TRANSMISSION  
DGG, DGD = 32RH 3 Spd. Auto.  
DDD = 5 Speed HD Manual  
DGO = Auto. Trans.  
DBB = Manual Trans.  
DDK = 5 Speed Manual

Lamps--Front  
Figure 008-1105



ITEM	PART NUMBER	QTY	LINE	SERIES	BODY	ENGINE	TRANS	TRIM	DESCRIPTION
	5505 5046	1							Chrome, Right
	5505 5047	1							Chrome, Left
12	J400 0141	4							NUT, Square, .286x.355, Right or Left
13	6035 977AA	4							SCREW, Tapping, .164-18x.625
14									LAMP, Side Marker
	55155 628AB	1							Right
	55155 629AB	1							Left
-15	4399 599	1							SEAL, Side Marker & Turn Signal
16									LAMP, Side Repeater
	55155 460AB	1							Right
	55155 461AB	1							Left
-17	0153 624	2							BULB, W3W, Side Repeater or Side Marker
18									NUT, (NOT SERVICED) (Not Serviced)
19									LAMP, Park and Turn Signal
	55157 033AA	1							Left
	55157 032AA	1							Right
-20	4399 900	1							SOCKET, Park, Turn, and Side Lamp
21	6035 977AA	4							SCREW, Tapping, .164-18x.625
-22	L000 3157	1							BULB, 3157
23	55055 095AG	2	J						LAMP, Fog
-24	L00H 355W	1	J						BULB, Fog Lamp, H-3 55 WATT
25	6101 445	2	J						NUT AND WASHER, Hex Nut-Coned Washer, M8 x 1.25
26									WIRING, Headlamp
	#56047 146AC	1	J			ED0,			Without Foglamp
	#56047 147AC	1	J			ED0,			With Foglamp
	#56047 148AC	1				ED0,			With Foglamp (Export)
						ER0			
-27	4864 773	1	J						RETAINER, Fog Lamp Bulb
-28									ACTUATOR, Headlamp
	4874 382	1	J						Export
		1	U			77			
29	55155 764AB	1							BRACKET, License Plate, Export
30	6030 441	2	J						PIN, Retainer
31									SCREW, M6X1.00X16.00, (NOT SERVICED) (Not Serviced)

JEEP WRANGLER (TJ)

SERIES  
H = Sport  
L = SE  
M = X  
P = Sahara  
S = Rubicon

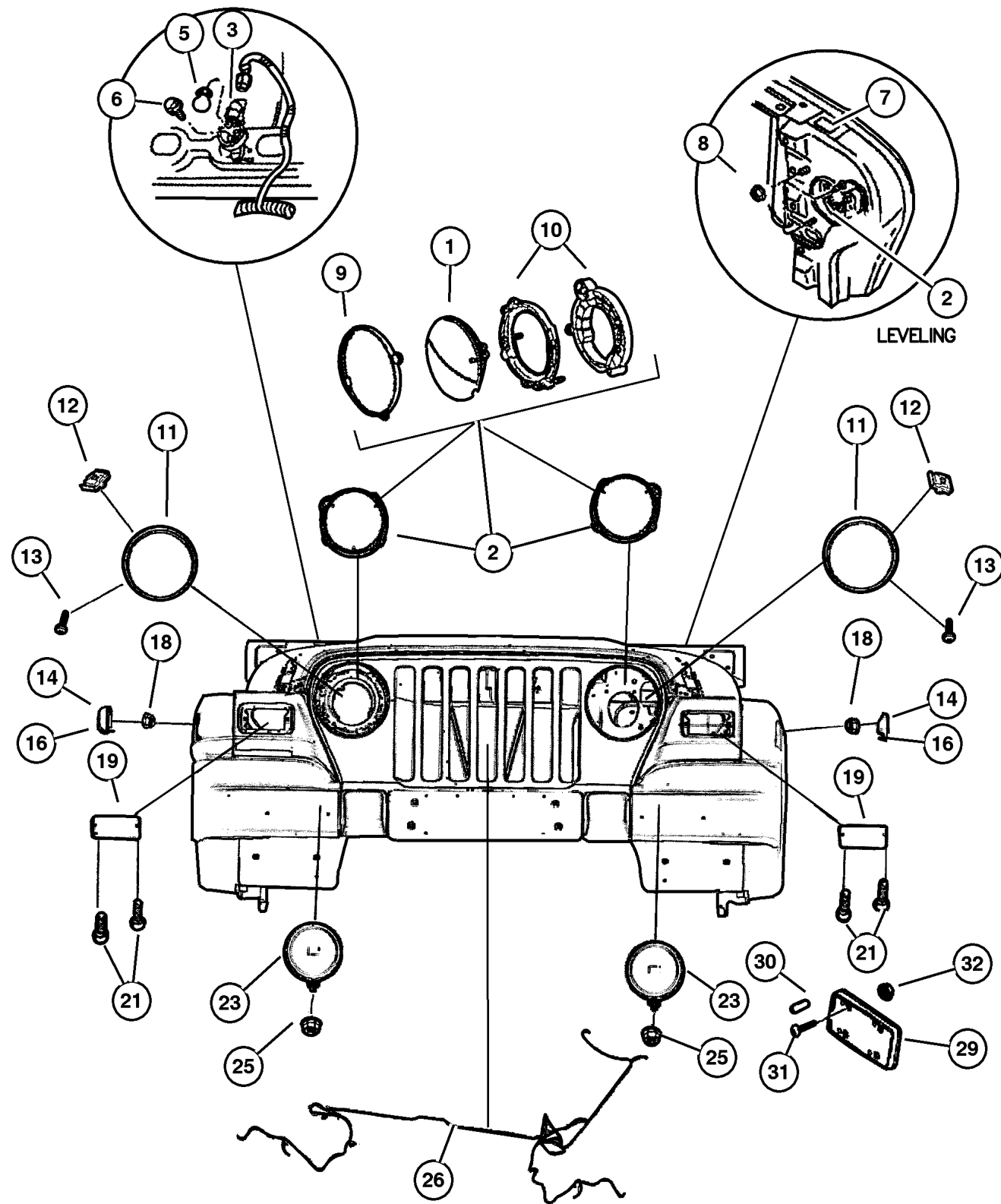
LINE  
J = Wrangler 4WD  
U = Wrangler 4WD (RHD)

BODY  
77 = 93.4 WB

ENGINE  
ED1, ED0 = 2.4L DOHC  
ERH = 4.0L Power Tech

TRANSMISSION  
DGG, DGD = 32RH 3 Spd. Auto.  
DDD = 5 Speed HD Manual  
DGO = Auto. Trans.  
DBB = Manual Trans.  
DDK = 5 Speed Manual

# Lamps--Front Figure 008-1105



ITEM	PART NUMBER	QTY	LINE	SERIES	BODY	ENGINE	TRANS	TRIM	DESCRIPTION
32									NUT, M6x1.00, (NOT SERVICED)
									(Not Serviced)
-33									CAPSULE, Headlamp Level Connector
	4874 381	1	J						Export
		1	U		77				Export

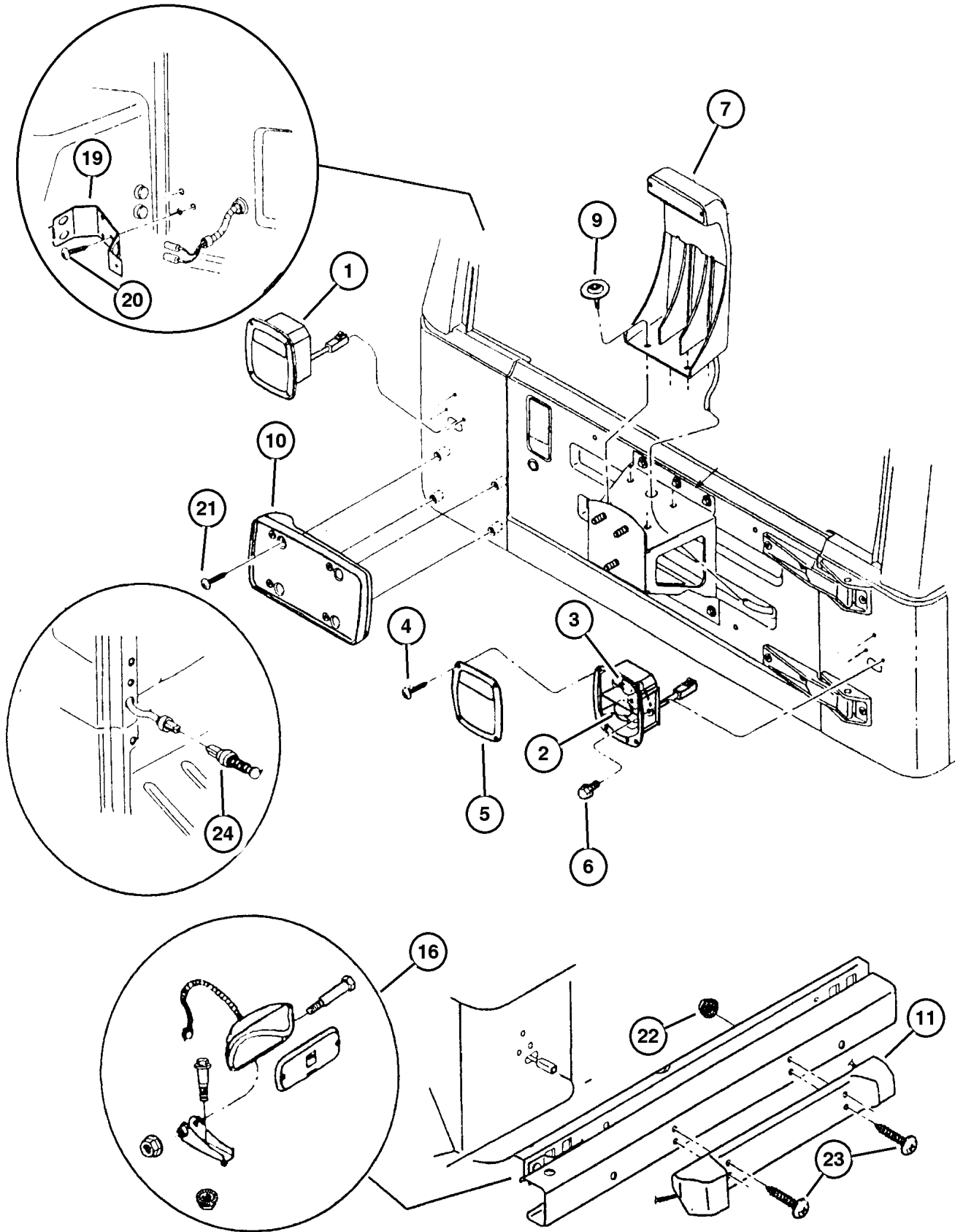
JEEP WRANGLER (TJ)

SERIES	LINE	BODY	ENGINE	TRANSMISSION
H = Sport	J = Wrangler 4WD	77 = 93.4 WB	ED1, ED0 = 2.4L DOHC	DGG, DGD = 32RH 3 Spd. Auto.
L = SE	U = Wrangler 4WD (RHD)		ERH = 4.0L Power Tech	DDD = 5 Speed HD Manual
M = X				DG0 = Auto. Trans.
P = Sahara				DBB = Manual Trans.
S = Rubicon				DDK = 5 Speed Manual

AR = Use as required - = Non illustrated part # = New this model year

January 6, 2004

Lamps--Rear  
Figure 008-1110



ITEM	PART NUMBER	QTY	LINE	SERIES	BODY	ENGINE	TRANS	TRIM	DESCRIPTION
1									LAMP, Tail Stop Turn
	55155 624AC	2							Europe
	56018 648AC	1							Right
	56018 649AC	1							Left
2	L000 2057	1							BULB, 2057
3	L000 1156	1							BULB, 1156
4									SCREW, .164-18x.625, (NOT SERVICED) (Not Serviced)
5									LENS, Taillamp
	4856 459	2							Europe
	5600 6514	1	J						
6									SCREW/WASHER, (NOT SERVICED) (Not Serviced)
7									LAMP, High Mounted Stop Without Off Road Group
	55055 280AB	1							Without Off Road Group
	55156 490AA	1							With Off Road Group
-8	6507 364AA	4							SCREW, CHMSL to Spare Tire Mounting Bracket Attaching
9									SCREW AND WASHER, Hex Head, .312-18x1.00, (NOT SERVICED) (Not Serviced)
10	5517 4994	1							BRACKET, License Plate
11	55175 106AB	1							BRACKET, LICENSE Mounting, Europe
-12	5505 5278	2							LAMP, License
-13	55155 767AB	1							BRACKET, License Lamp
-14	L002 825W5W	2							BULB, W10/5
-15	5515 5619	2							LENS, Ash Receiver Lamp
16	5505 5273	1			77				LAMP, Fog, Europe (Rear) Red
-17	0153 622	1							BULB, P-25-1
-18	4864 772	1							LENS, Fog Lamp
19	5600 9056	1							CLAMP, Contact Button, CHMSL Contact Button
20	0154 631	3							SCREW, Pan Head, .190-16x.5
21									SCREW, M6x1x20, (NOT SERVICED) (Not Serviced)
22									NUT, M6x1.00, (NOT SERVICED) (Not Serviced)
23									SCREW, M6X1.00X16.00, (NOT SERVICED) (Not Serviced)
24	4687 558	2							SWITCH, Door Ajar

JEEP WRANGLER (TJ)

SERIES  
H = Sport  
L = SE  
M = X  
P = Sahara  
S = Rubicon

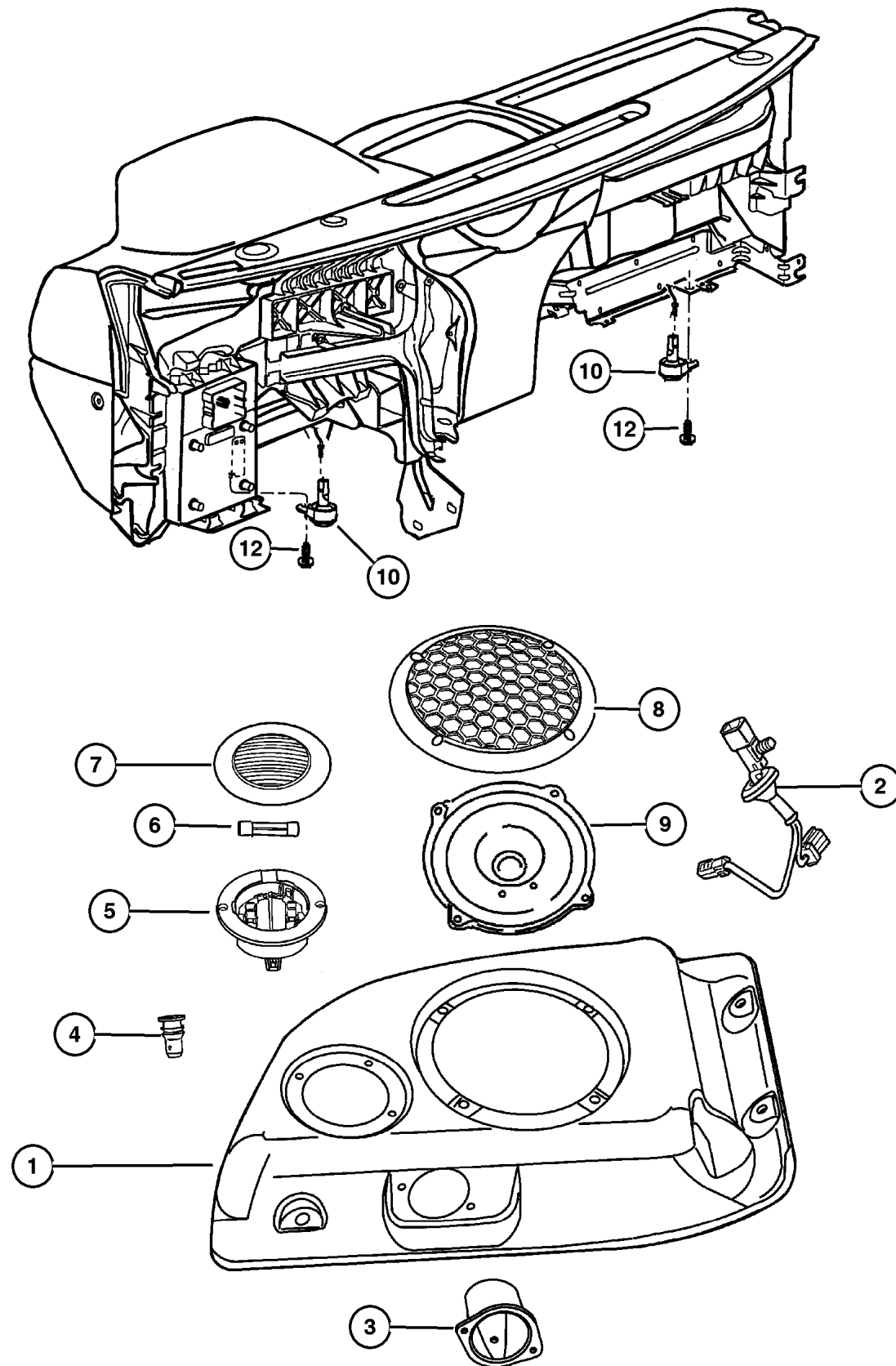
LINE  
J = Wrangler 4WD  
U = Wrangler 4WD (RHD)

BODY  
77 = 93.4 WB

ENGINE  
ED1, ED0 = 2.4L DOHC  
ERH = 4.0L Power Tech

TRANSMISSION  
DGG, DGD = 32RH 3 Spd. Auto.  
DDD = 5 Speed HD Manual  
DGO = Auto. Trans.  
DBB = Manual Trans.  
DDK = 5 Speed Manual

Lamps--Cargo-Dome-Courtesy  
Figure 008-1115



ITEM	PART NUMBER	QTY	LINE	SERIES	BODY	ENGINE	TRANS	TRIM	DESCRIPTION
1									HOUSING, Speaker
	5HU98 DX9AE	1							Black (Speaker Grille, Lamp, Lens & Wiring Included), Right
	5HU99 DX9AE	1							Black (Speaker Grille, Lamp, Lens & Wiring Included), Left
	5JP54 DX9AA	1			77				Export, Right
	5JP55 DX9AA	1			77				Export, Left
2									WIRING, Speaker - Rear
	56047 121AC	1							Export
3		1							CUP, Wire Cup (Serviced with Speaker Housing) , (NOT SERVICED) (Not Serviced)
4									SLEEVE, Isolator
	5093 022AA	1							Export
5									LAMP, Dome
	#56047 114AC	1							Serviced with Bulb (Export )
		1							Serviced with Bulb
6									BULB, 211-2
	L002 1102	1			77				Export
7									LENS, Dome Lamp
	56047 115AA	1							Export
8									GRILLE, Speaker
	5086 805AA	1							Export
9									SPEAKER, Rear
	56038 566AE	1							Export
10	56042 559AA	1							LAMP, Courtesy
-11	L000 0906	1							BULB, 906
12									SCREW, Self Tapping, M4.2x1.69x19.05
	6032 723	2	U		77				
		2	J						

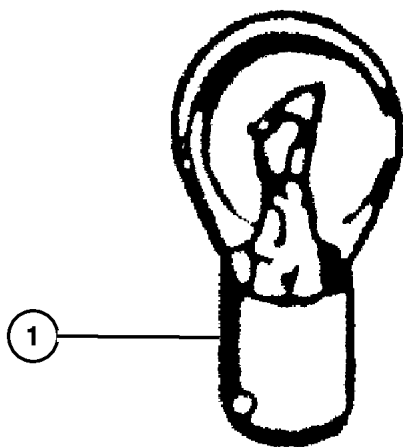
JEEP WRANGLER (TJ)

SERIES	LINE	BODY	ENGINE	TRANSMISSION
H = Sport	J = Wrangler 4WD	77 = 93.4 WB	ED1, ED0 = 2.4L DOHC	DGG, DGD = 32RH 3 Spd. Auto.
L = SE	U = Wrangler 4WD (RHD)		ERH = 4.0L Power Tech	DDD = 5 Speed HD Manual
M = X				DG0 = Auto. Trans.
P = Sahara				DBB = Manual Trans.
S = Rubicon				DDK = 5 Speed Manual

AR = Use as required - = Non illustrated part # = New this model year

January 6, 2004

**Bulbs & Sockets**  
**Figure 008-1120**



ITEM	PART NUMBER	QTY	LINE	SERIES	BODY	ENGINE	TRANS	TRIM	DESCRIPTION
Notes:									
[DG0] = All Automatic Transmission									
1	L00H 460W	1	J						BULB, Headlamp, Halogen [ECE] Export
-2	L000 921E	1							BULB, 921
-3	L000 3157	1							BULB, 3157
-4	L000 0658	1					DG0		BULB, 658, PRNDL Cover
-5	4874 122AB	1					DG0		BULB AND SOCKET Switch Illuminator
	4874 123	1					DBB		Switch Illuminator
		1					DBB		Switch on Indicator
		1					DG0		Switch on Indicator
-6	5013 829AA	1	U		77				BULB, Heater and A/C Control, With or without Air Condition
-7	4874 349	5				ED0, ERO			BULB AND SOCKET
-8	L000 0194	1	J						BULB, 194
-9	L000 0906	1							BULB, 906
-10	L000 7528	2							BULB, P-25-2, Export
-11	L000 3893	1	J						BULB, T8/4 Export
		1	U		77				Export

**JEEP WRANGLER (TJ)**

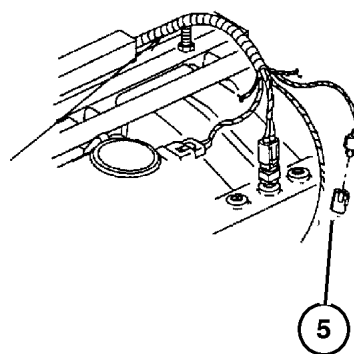
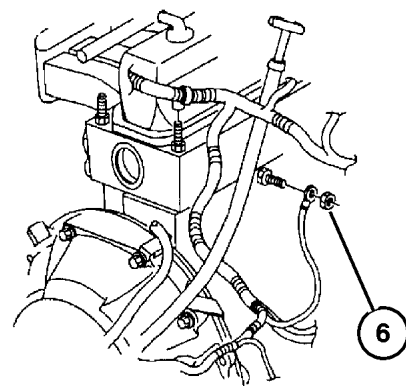
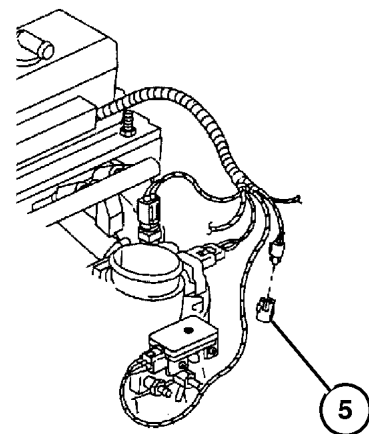
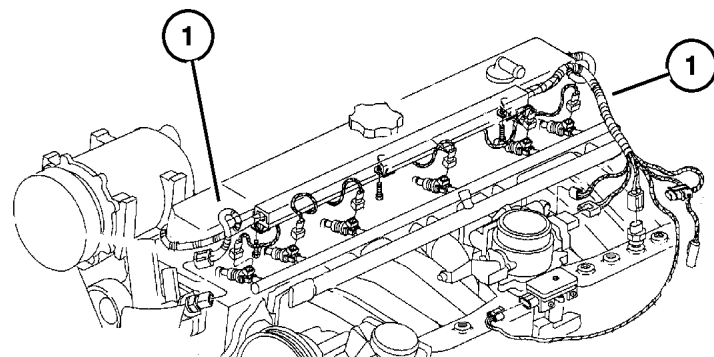
SERIES	LINE	BODY	ENGINE	TRANSMISSION
H = Sport	J = Wrangler 4WD	77 = 93.4 WB	ED1, ED0 = 2.4L DOHC	DGG, DGD = 32RH 3 Spd. Auto.
L = SE	U = Wrangler 4WD (RHD)		ERH = 4.0L Power Tech	DDD = 5 Speed HD Manual
M = X				DG0 = Auto. Trans.
P = Sahara				DBB = Manual Trans.
S = Rubicon				DDK = 5 Speed Manual

AR = Use as required - = Non illustrated part # = New this model year

January 6, 2004

**Wiring--Engine & Related Parts  
Figure 008-1205**

ITEM	PART NUMBER	QTY	LINE	SERIES	BODY	ENGINE	TRANS	TRIM	DESCRIPTION
Notes:									
[EP0] =2.5L Engine									
[ER0] =4.0L Engine									
[DG0]=Automatic Transmission									
[DBB]= Manual Transmission									
1									WIRING, Engine
	56044 401AA	1			77	ED0			
	#56052 382AA	1	J		78				
	#56044 435AB	1	J		77	ER0	DDD		With [NA1], [BGA] or [BRW]
	#56044 436AB	1	J		77	ER0	DG0		With [NA1], [BGA] or [BRW]
	#56044 438AB	1	J		77	ER0	DG0		With [NAS], [BGA] or [BRW] & without [AWL]
	#56044 439AB	1	U		77	ER0	DDD		With [NA1] & without [NBJ]
	#56044 440AB	1	U		77	ER0	DG0		With [NA1] & without [NBJ]
	#56044 441AB	1	U		77	ER0	DDD		With [NA1] & [NBJ]
	#56044 442AB	1	U		77	ER0	DG0		With [NA1] & [NBJ]
	#56044 443AB	1	J		77	ER0	DDD		With [NA1] & [BGK]
	#56044 444AB	1	J		77	ER0	DG0		With [NA1] & [BGK]
	56044 401AA	1				ED0			
	#56044 437AB	1	J		77	ER0	DDD		With [NAS], [BGA] or [BRW] & without [AWL]
	#56044 445AB	1	J		77	ER0	DDD		With [NAS], [BGK] & without [AWL]
	#56044 446AB	1	J		77	ER0	DG0		With [NAS], [BGK] & without [AWL]
	#56044 453AB	1	J		77	ER0	DDD		With AWL
	#56044 454AB	1	J		77	ER0	DG0		With AWL
	#56048 001AB	1	J		77	ED0	DG0		
	#56048 003AB	1	J		77	ED0	DD0		
2	5300 8550	1				ER0			CLIP, [NAS]
-3	5073 039AA	1							STRAP, Tie, Oxygen Sensor Wiring
-4	5600 9433	2							CAP, Screw Cover
5									PLUG, Oxygen Sensor, (NOT REQUIRED)
6									NUT AND WASHER, .312-18, (NOT SERVICED) (Not Serviced)
-7	52109 568AA	1							WIRING, Leak Detection Pump
-8	55176 744AD	1							BRACKET, Engine Wiring
-9	56041 379AA	1			77	ER0	DBB		CLIP, Housing, On Bell Housing for Wiring leading to Oxygen Sensor
-10	56044 161AA	1	J			ED0			BRACKET, Wiring Harness Located Near Steering Column Shaft, Left



**JEEP WRANGLER (TJ)**

SERIES  
H = Sport  
L = SE  
M = X  
P = Sahara  
S = Rubicon

LINE  
J = Wrangler 4WD  
U = Wrangler 4WD (RHD)

BODY  
77 = 93.4 WB

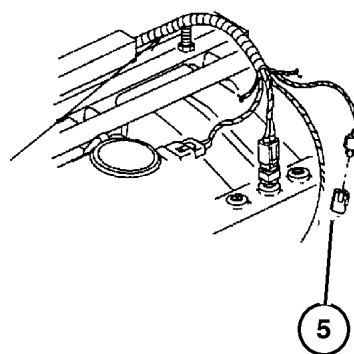
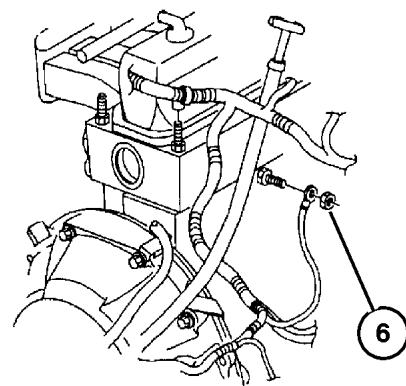
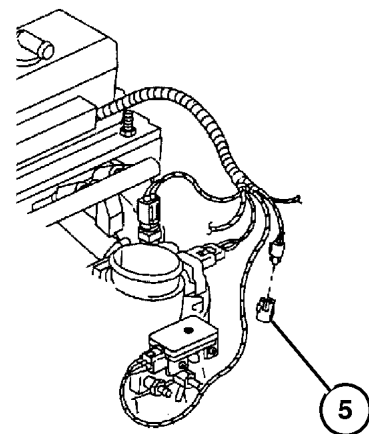
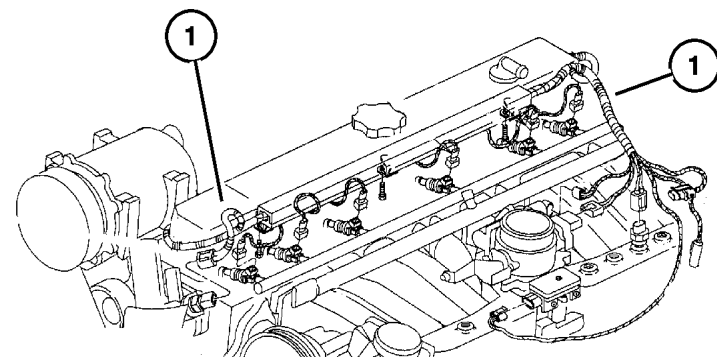
ENGINE  
ED1, ED0 = 2.4L DOHC  
ERH = 4.0L Power Tech

TRANSMISSION  
DGG, DGD = 32RH 3 Spd. Auto.  
DDD = 5 Speed HD Manual  
DG0 = Auto. Trans.  
DBB = Manual Trans.  
DDK = 5 Speed Manual



**Wiring--Engine & Related Parts**  
**Figure 008-1205**

ITEM	PART NUMBER	QTY	LINE	SERIES	BODY	ENGINE	TRANS	TRIM	DESCRIPTION
	56044 162AB	1				ED0			Mounted by Dash Panel, Right
-11	52059 580AB	1							CONNECTOR, Vacuum, Vapor Canister



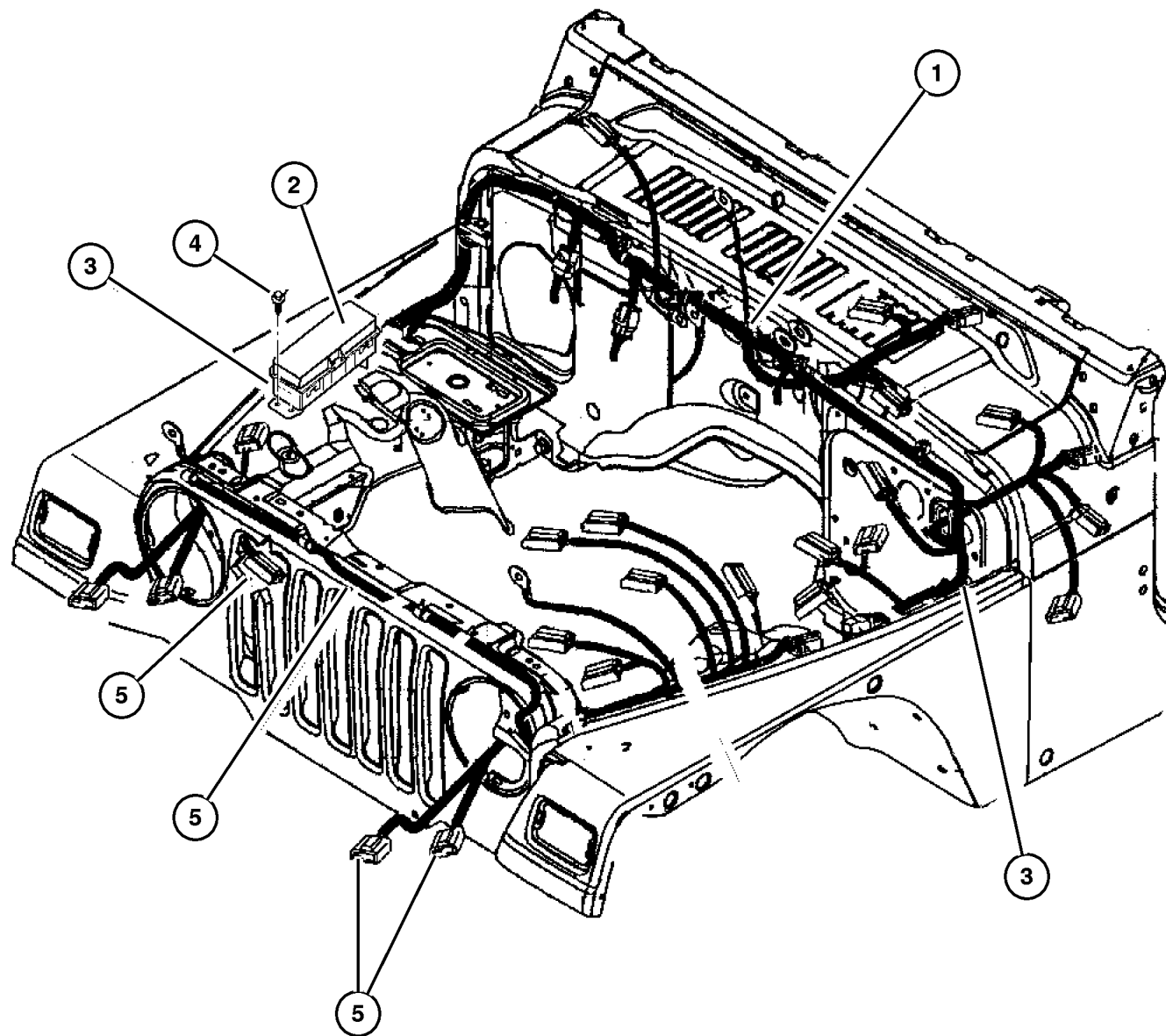
**JEEP WRANGLER (TJ)**

SERIES	LINE	BODY	ENGINE	TRANSMISSION
H = Sport	J = Wrangler 4WD	77 = 93.4 WB	ED1, ED0 = 2.4L DOHC	DGG, DGD = 32RH 3 Spd. Auto.
L = SE	U = Wrangler 4WD (RHD)		ERH = 4.0L Power Tech	DDD = 5 Speed HD Manual
M = X				DG0 = Auto. Trans.
P = Sahara				DBB = Manual Trans.
S = Rubicon				DDK = 5 Speed Manual

AR = Use as required - = Non illustrated part # = New this model year

January 6, 2004

**Wiring--Headlamp / Dash Panel**  
**Figure 008-1305**



ITEM	PART NUMBER	QTY	LINE	SERIES	BODY	ENGINE	TRANS	TRIM	DESCRIPTION
Notes:									
EPO=2.5L Engine									
ER0=4.0L Engine									
1	#56047 201AC	1	J			ER0	DG0		WIRING, Dash Panel With [BGA] or {BRW}, without [LMK] & with or Without [DSE] or [NHM]
	#56047 217AC	1	J			ER0			With [BGK] & [LMK]
	#56047 218AC	1	J			ER0			With [BGK] & without [LMK]
	#56047 219AC	1	J			ED0	DG0		With [BGA], [HA0], without [LMK] & with or without [DSE]
	#56047 220AC	1	J			ED0	DBB		With [BGA], [HA0], without [LMK] & with or without [DSE]
	#56047 221AC	1	J			ED0	DG0		With [BGA], [HC0], without [LMK] & with or without [DSE]
	#56047 222AC	1	J			ED0	DBB		With [BGA], [LMK], [HC0] & Without [DSE]
	#56047 223AC	1	J			ED0			With [BGA], [LMK], [HC0] & Without [DSE]
	#56047 202AC	1	J			ER0	DBB		With [BGA] or {BRW}, without [LMK] & with or Without [DSE] or [NHM]
	#56047 203AC	1	J			ER0	DG0		With [NHM], [BGA] or {BRW}, without [LMK] & with or Without [DSE]
	#56047 204AC	1	J			ER0	DBB		With [NHM], [BGA] or {BRW}, without [LMK] & with or Without [DSE]
	#56047 205AC	1	J			ER0			With [BRW], [LMK] & [DSE]
	#56047 213AC	1				ER0			With [BRW], [LMK] & [DSE]
	#56047 214AC	1	U		77	ER0			
	#56047 215AC	1	J			ER0	DG0		With [BGA] or {BRW}, [LMK] & Without [DSE]
	#56047 216AC	1	J			ER0	DBB		With [BGA] or {BRW}, [LMK] & Without [DSE]
2	#5134 137AA	AR							COVER, Power Distribution Center
3	56010 210AB	1							BRACKET, Power Distribution Center
4									SCREW, M6.3x1.81x20, Tapping (M6.3x1.81x20.00) Not Serv., (NOT SERVICED) (Not Serviced)
5									WIRING, Headlamp

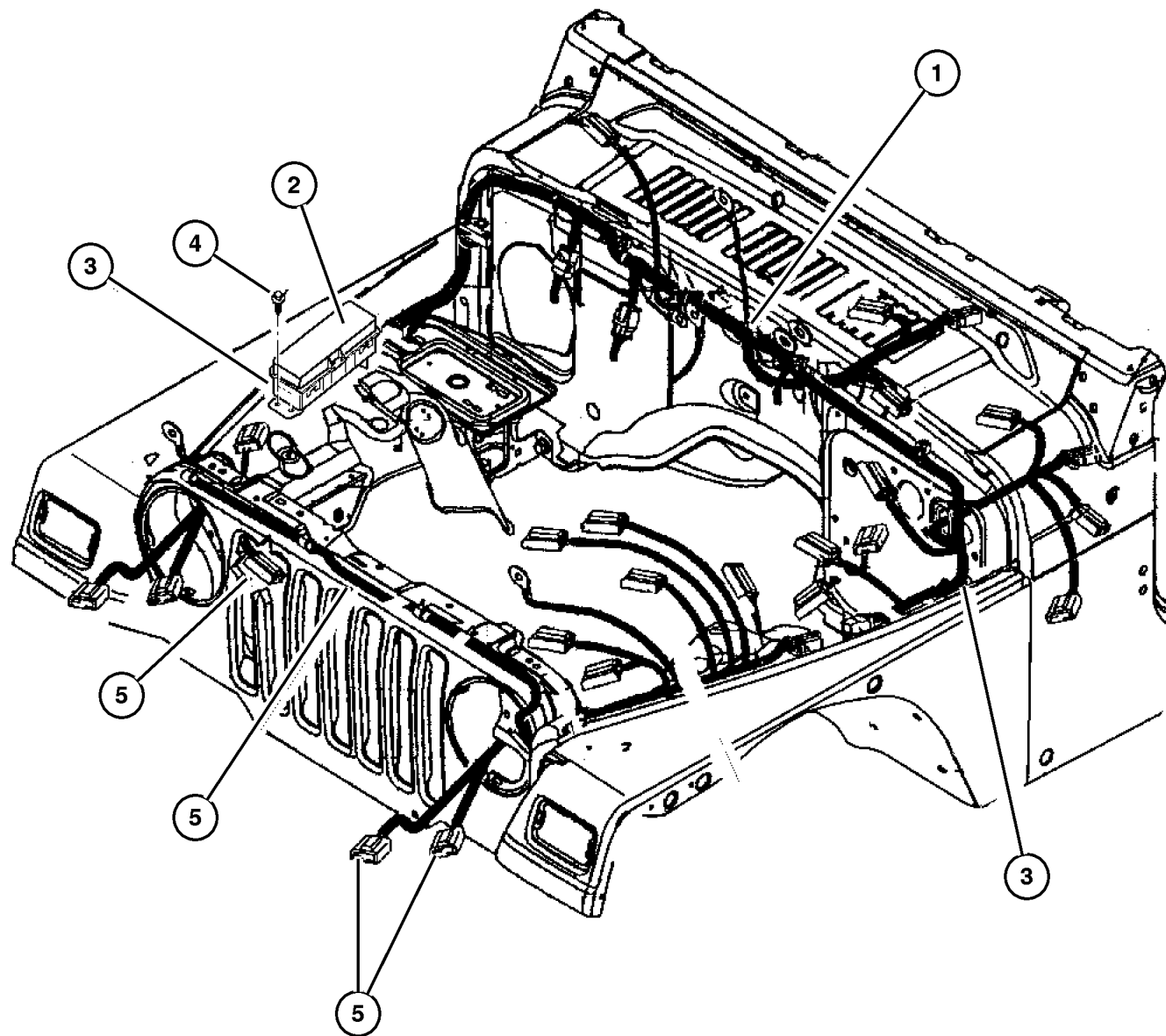
**JEEP WRANGLER (TJ)**

SERIES	LINE	BODY	ENGINE	TRANSMISSION
H = Sport	J = Wrangler 4WD	77 = 93.4 WB	ED1, ED0 = 2.4L DOHC	DGG, DGD = 32RH 3 Spd. Auto.
L = SE	U = Wrangler 4WD (RHD)		ERH = 4.0L Power Tech	DDD = 5 Speed HD Manual
M = X				DG0 = Auto. Trans.
P = Sahara				DBB = Manual Trans.
S = Rubicon				DDK = 5 Speed Manual

AR = Use as required - = Non illustrated part # = New this model year

January 6, 2004

**Wiring--Headlamp / Dash Panel**  
**Figure 008-1305**



ITEM	PART NUMBER	QTY	LINE	SERIES	BODY	ENGINE	TRANS	TRIM	DESCRIPTION
	#56047 146AC	1	J			ED0,			Without Foglamp
	#56047 147AC	1	J			ED0, ER0			With Foglamp
	#56047 148AC	1				ED0, ER0			Europe
-6	56047 127AB	1	U						BRACKET, Wiring Harness Side Cowl
	56047 128AB	1	J						
	56009 901AA	1	U		77				

**JEEP WRANGLER (TJ)**

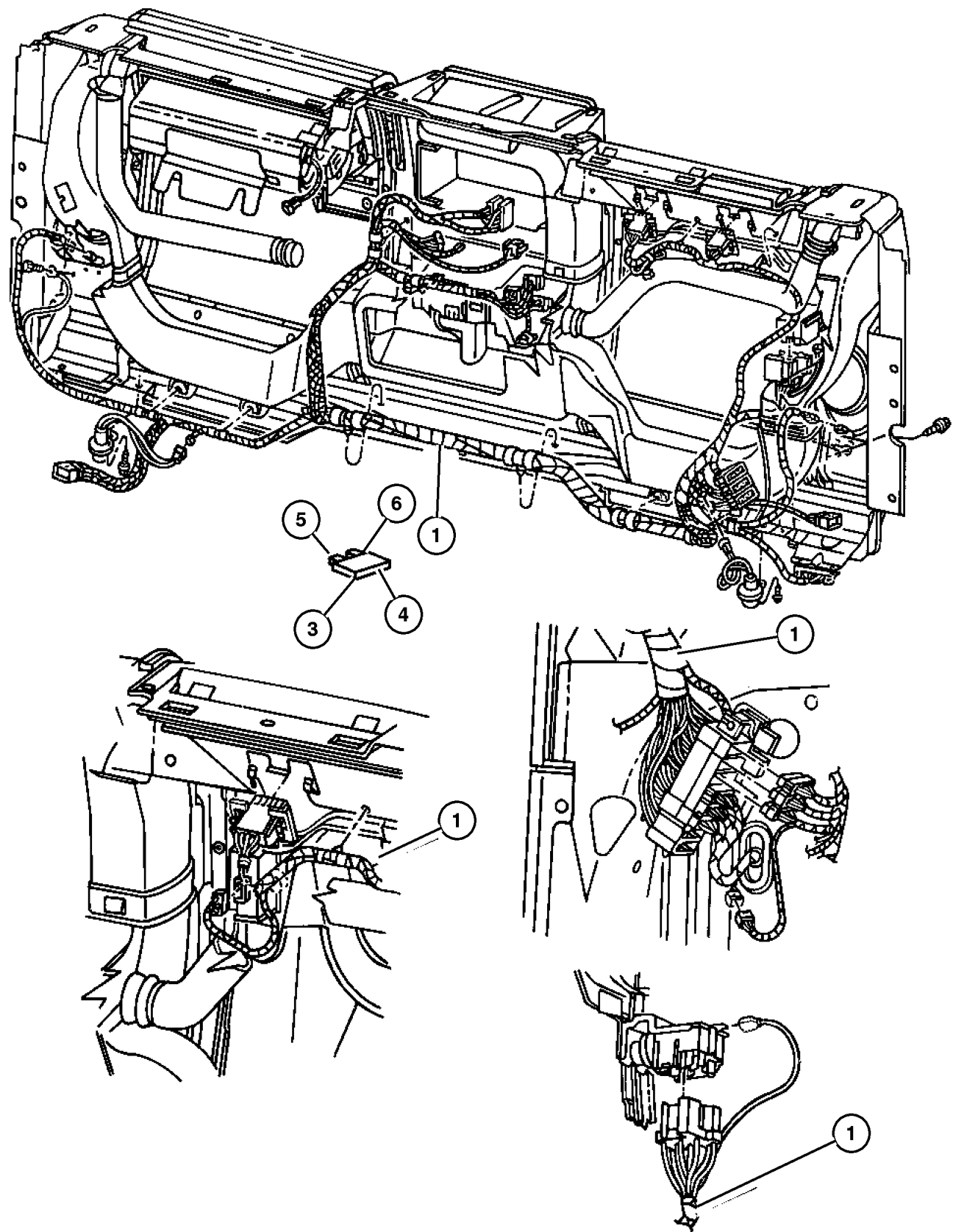
SERIES	LINE	BODY	ENGINE	TRANSMISSION
H = Sport	J = Wrangler 4WD	77 = 93.4 WB	ED1, ED0 = 2.4L DOHC	DGG, DGD = 32RH 3 Spd. Auto.
L = SE	U = Wrangler 4WD (RHD)		ERH = 4.0L Power Tech	DDD = 5 Speed HD Manual
M = X				DG0 = Auto. Trans.
P = Sahara				DBB = Manual Trans.
S = Rubicon				DDK = 5 Speed Manual

AR = Use as required - = Non illustrated part # = New this model year

January 6, 2004

## Wiring Instrument Panel & Fuses Figure 008-1405

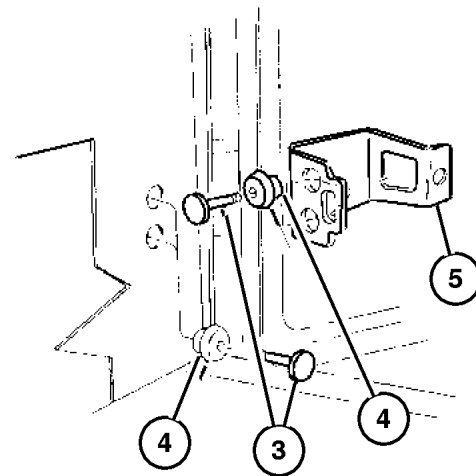
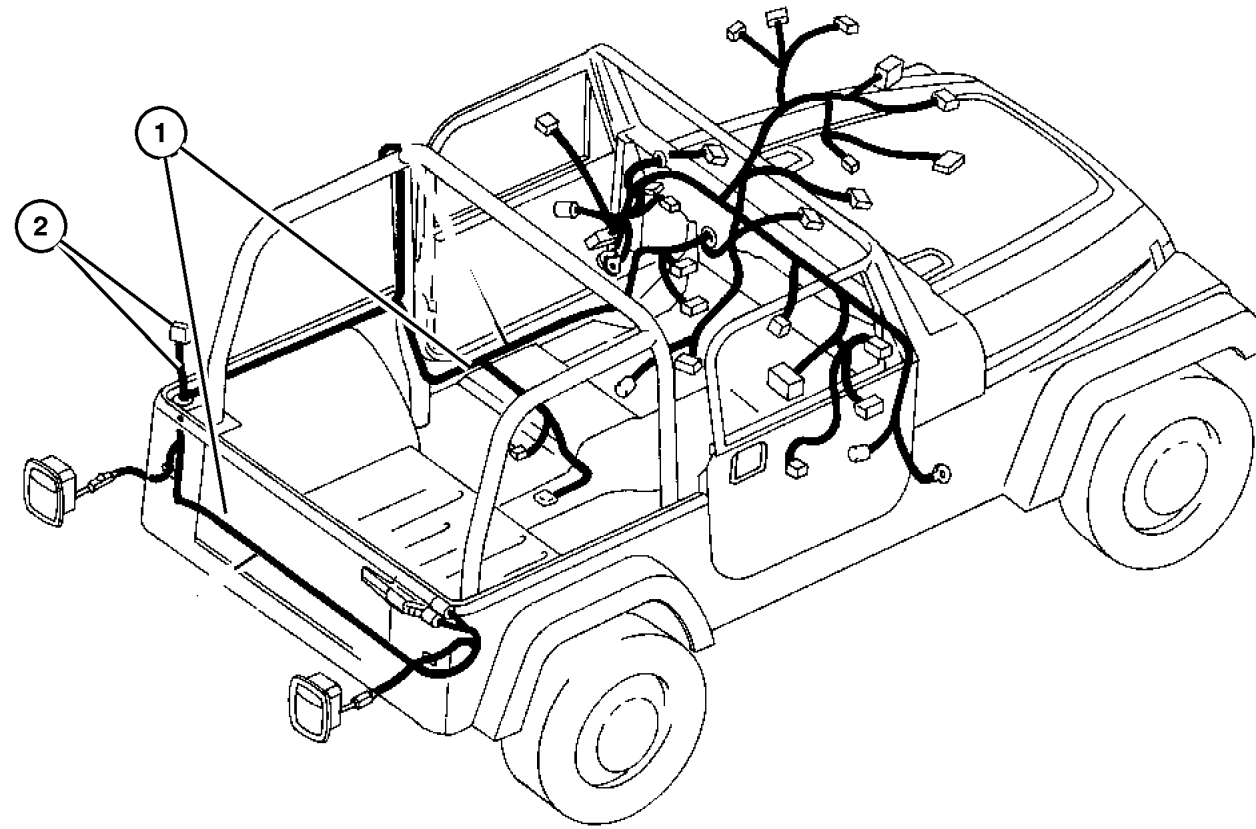
ITEM	PART NUMBER	QTY	LINE	SERIES	BODY	ENGINE	TRANS	TRIM	DESCRIPTION
Notes:									
[DG0]=All Automatic Transmissions									
1									WIRING, Instrument Panel
	#56047 207AC	1							[VJ0]
	#56052 460AB	1	J			78			[RCD,VJ0]
	#56047 208AC	1	J						[VK0]
	#56047 209AC	1	J						Export
	#56047 210AC	1							Standard, Export
	#56047 211AC	1							[VJ0,DSE]
	#56047 212AC	1							[VK0,DSE]
	#56047 225AD	1	J						[CGZ]
	#56050 329AB	1							[DSE]
	#56050 501AD	1							[AHF]
-2	56009 391AL	1							LABEL, Fuse Block
3	4868 008AA	1							FUSE CARTRIDGE, 40 Amp
4	00AT M10	2							FUSE, Mini, 10 AMP, Red
5	00AT M20	1					DG0		FUSE, Mini, 20 AMP, Yellow
6	4868 008AA	1							FUSE CARTRIDGE, 40 Amp
-7	4607 084	1							FLASHER
-8	56009 654AB	1							COVER, Wiring Protector
-9	6101 757	2					DG0		FUSIBLE LINK



**JEEP WRANGLER (TJ)**

SERIES	LINE	BODY	ENGINE	TRANSMISSION
H = Sport	J = Wrangler 4WD	77 = 93.4 WB	ED1, ED0 = 2.4L DOHC	DGG, DGD = 32RH 3 Spd. Auto.
L = SE	U = Wrangler 4WD (RHD)		ERH = 4.0L Power Tech	DDD = 5 Speed HD Manual
M = X				DG0 = Auto. Trans.
P = Sahara				DBB = Manual Trans.
S = Rubicon				DDK = 5 Speed Manual

**Wiring--Body & Accessory**  
**Figure 008-1505**



ITEM	PART NUMBER	QTY	LINE	SERIES	BODY	ENGINE	TRANS	TRIM	DESCRIPTION
Notes:									
[EP0]=2.5L Engine									
[ER0]=4.0L Engine									
1									WIRING, Body
	#56047 160AC	1	J		77				[CGZ]
	#56047 168AC	1	J		77				[VK0,RCU], Export
	#56047 169AC	1	U		77				[VJ0], Export
	#56047 170AC	1	U		77				[VJ0,RCU], Export
	#56047 172AC	1	U		77				[VK0,RCU], Export
	#56052 383AB	1	J		78				[RCU,VK0]
	#56052 459AB	1	J		78				[RCU,VJ0]
	#56052 460AC	1	J		78				[RCD,VJ0]
	#56052 328AC	1	J		78				[RCD,VK0]
	#56052 383AC	1	J		78				[RCU,VK0]
	#56052 459AC	1	J		78				[RCU,VJ0]
	#56047 161AC	1	J		77				[VJ0]
	#56047 162AC	1	J		77				[VJ0,RCU]
	#56047 163AC	1	J		77				[VK0]
	#56050 620AC	1			77				[AHF]
	#56047 164AD	1	J		77				[VK0,RCU]
	#56047 165AC	1	J		77				[VJ0], Export
	#56047 166AC	1	J		77				[VJ0,RCU], Export
	#56047 167AC	1	J		77				[VK0], Export
2									WIRING, Hardtop
	56009 377AD	1	J		78				
	56009 377AE	1			77				
3	4362 012	4							TERMINAL, CHMSL Contact Button
4	6036 521AA	2							GROMMET, Sliding Door
5									BRACKET, Wiring Harness
	56047 128AB	1	J						
	56047 127AB	1	U						
-6	55352 706AA	1							COVER, Wiring Protector
-7	5600 9085	1							WIRING, Rear Bumper
-8	0154 628	1							SCREW, Tapping, .164-18x.625, Rear Body Harness Attaching
-9	4874 085	1	U		77				WIRING, Air Conditioning Module
-10	56009 333AB	3							CLIP, Wire Attaching (Clip)
-11	56009 338AB	3							RIVET
-12	52109 568AA	1							WIRING, Leak Detection Pump
-13	56047 087AC	1							WIRING, Mirror Jumper
-14	6503 071	4							CLIP, Line&Hose, Rear Wiper Harness

**JEEP WRANGLER (TJ)**

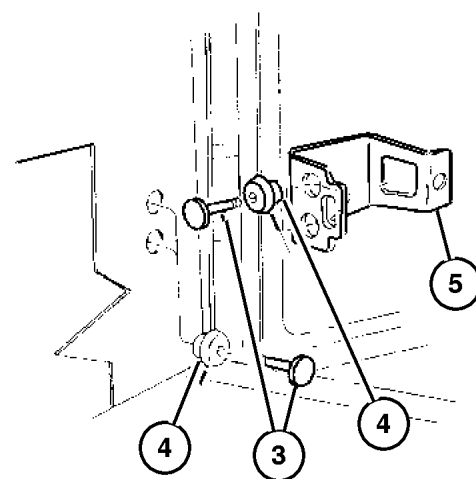
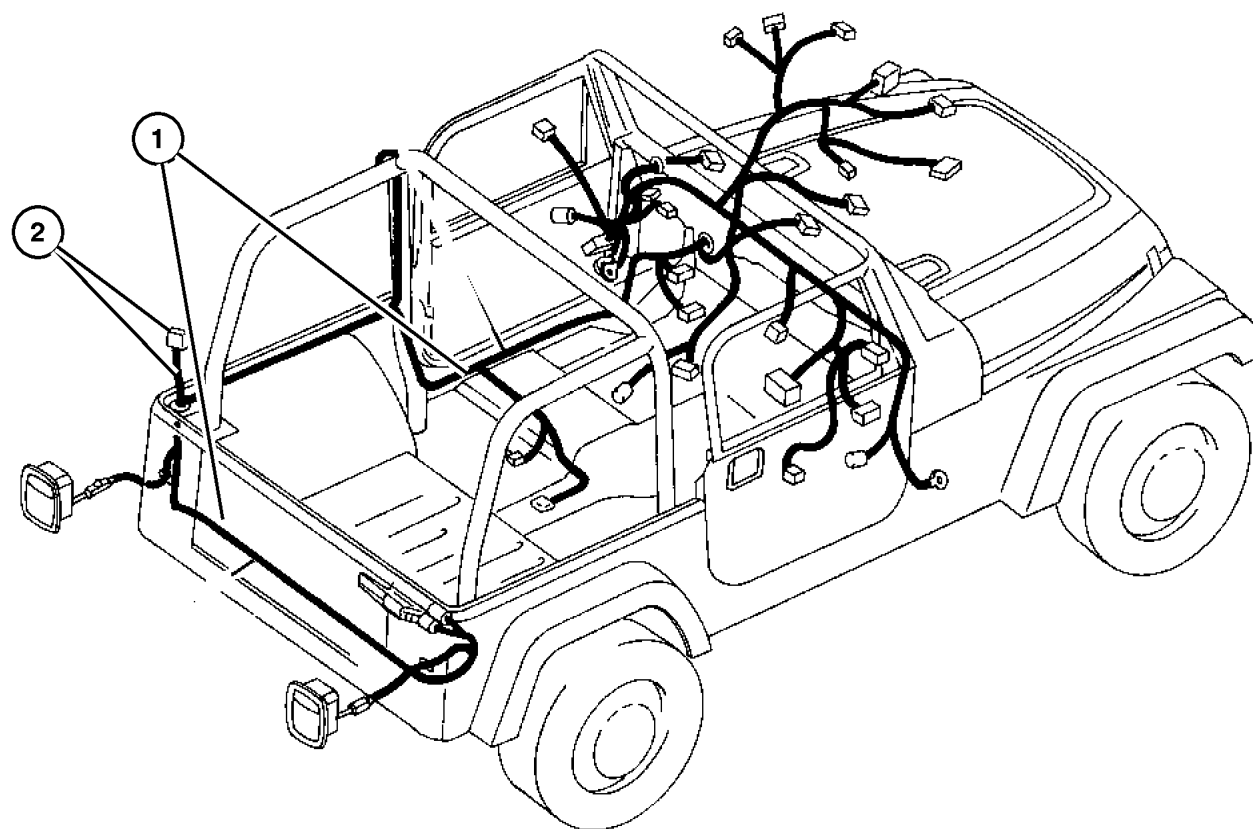
SERIES	LINE	BODY	ENGINE	TRANSMISSION
H = Sport	J = Wrangler 4WD	77 = 93.4 WB	ED1, ED0 = 2.4L DOHC	DGG, DGD = 32RH 3 Spd. Auto.
L = SE	U = Wrangler 4WD (RHD)		ERH = 4.0L Power Tech	DDD = 5 Speed HD Manual
M = X				DG0 = Auto. Trans.
P = Sahara				DBB = Manual Trans.
S = Rubicon				DDK = 5 Speed Manual

AR = Use as required - = Non illustrated part # = New this model year

January 6, 2004

**Wiring--Body & Accessory**  
**Figure 008-1505**

ITEM	PART NUMBER	QTY	LINE	SERIES	BODY	ENGINE	TRANS	TRIM	DESCRIPTION
-15	6505 192AA	2							PLUG, Wire Harness Holes at Rear Bumper
-16	55395 146AA	1	J		78				COVER, Wiring Protector Plate Hardtop Disconnect
		1			77				Plate Hardtop Disconnect



**JEEP WRANGLER (TJ)**

SERIES	LINE	BODY	ENGINE	TRANSMISSION
H = Sport	J = Wrangler 4WD	77 = 93.4 WB	ED1, ED0 = 2.4L DOHC	DGG, DGD = 32RH 3 Spd. Auto.
L = SE	U = Wrangler 4WD (RHD)		ERH = 4.0L Power Tech	DDD = 5 Speed HD Manual
M = X				DG0 = Auto. Trans.
P = Sahara				DBB = Manual Trans.
S = Rubicon				DDK = 5 Speed Manual

AR = Use as required - = Non illustrated part # = New this model year

January 6, 2004

**Wiring Repair Packages**  
**Figure 008-1605**

ITEM	PART NUMBER	QTY	LINE	SERIES	BODY	ENGINE	TRANS	TRIM	DESCRIPTION
-1	5013 930AD	1							WIRING PACKAGE, Underhood Connector Repair, For Electrical Connector Repair Information visit the World Wide Web at <a href="http://dto.vftis.com/mopar/disclaimer.asp">http://dto.vftis.com/mopar/disclaimer.asp</a>
-2	5014 757AD	1							MANUAL, Connector Repair
-3	5019 912AA	1							TOOL, Crimping
-4	5073 029AA	1							WIRING KIT, Electric Repair, With Tool
-5	5600 7554	2							TERMINAL, Female, Licenses Lamp
-6	5083 221AA	1							WIRING KIT, 22 Way, Female
-7	4794 703AB	1							CONNECTOR, Wiring, Trans Solenoid

For Electrical Connector Repair Information visit  
the World Wide Web at

<http://dto.vftis.com/mopar/disclaimer.asp>

**JEEP WRANGLER (TJ)**

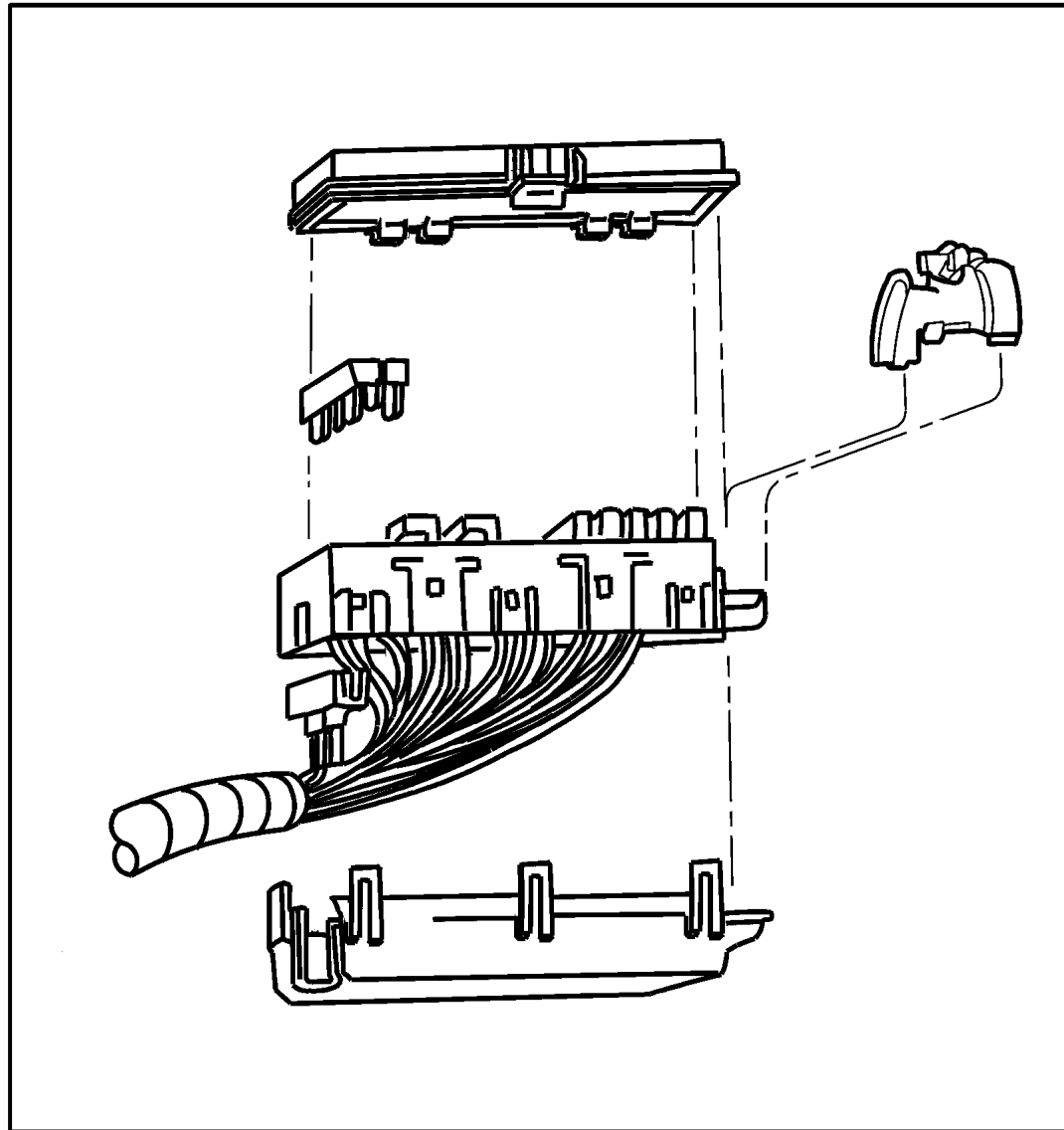
SERIES	LINE	BODY	ENGINE	TRANSMISSION
H = Sport	J = Wrangler 4WD	77 = 93.4 WB	ED1, ED0 = 2.4L DOHC	DGG, DGD = 32RH 3 Spd. Auto.
L = SE	U = Wrangler 4WD (RHD)		ERH = 4.0L Power Tech	DDD = 5 Speed HD Manual
M = X				DG0 = Auto. Trans.
P = Sahara				DBB = Manual Trans.
S = Rubicon				DDK = 5 Speed Manual

AR = Use as required - = Non illustrated part # = New this model year

January 6, 2004

**Power Distribution Center Repair  
Figure 008-1610**

ITEM	PART NUMBER	QTY	LINE	SERIES	BODY	ENGINE	TRANS	TRIM	DESCRIPTION
1	5014 460AC	1							REPAIR KIT, Power Distribution Center
-2	5073 653AA	1							REPAIR KIT, HARNESS



1

<b>JEEP WRANGLER (TJ)</b>				
SERIES	LINE	BODY	ENGINE	TRANSMISSION
H = Sport	J = Wrangler 4WD	77 = 93.4 WB	ED1, ED0 = 2.4L DOHC	DGG, DGD = 32RH 3 Spd. Auto.
L = SE	U = Wrangler 4WD (RHD)		ERH = 4.0L Power Tech	DDD = 5 Speed HD Manual
M = X				DG0 = Auto. Trans.
P = Sahara				DBB = Manual Trans.
S = Rubicon				DDK = 5 Speed Manual

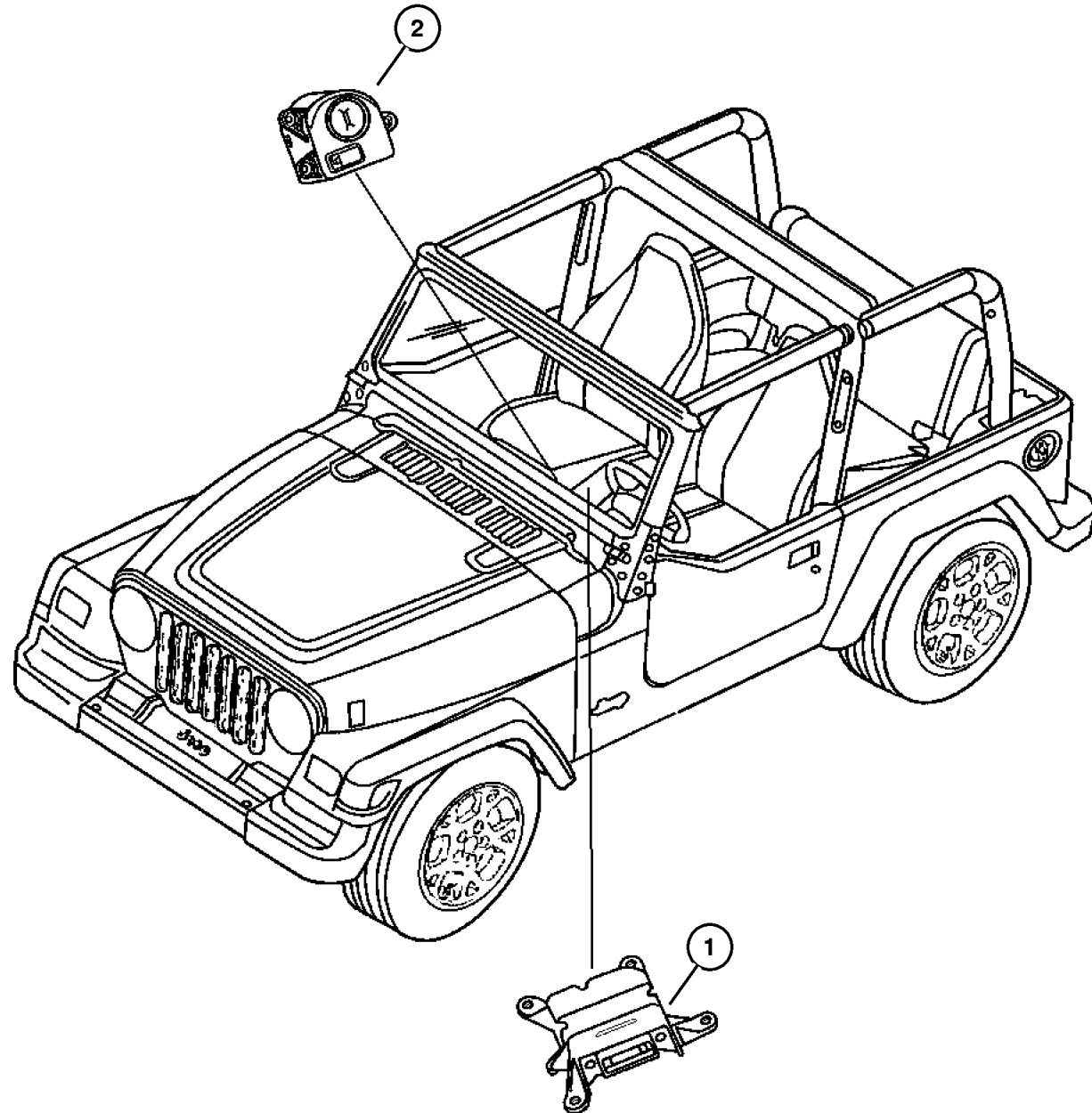
AR = Use as required - = Non illustrated part # = New this model year

January 6, 2004



**Air Bag Modules and Sensors**  
**Figure 008-1705**

ITEM	PART NUMBER	QTY	LINE	SERIES	BODY	ENGINE	TRANS	TRIM	DESCRIPTION
1	56010 533AA	1							MODULE, Air Bag Control
2	56010 301AB	1					DBB		SWITCH, Passenger Airbag Disarm
		1					DG0		Air Bag Deactivation



**JEEP WRANGLER (TJ)**

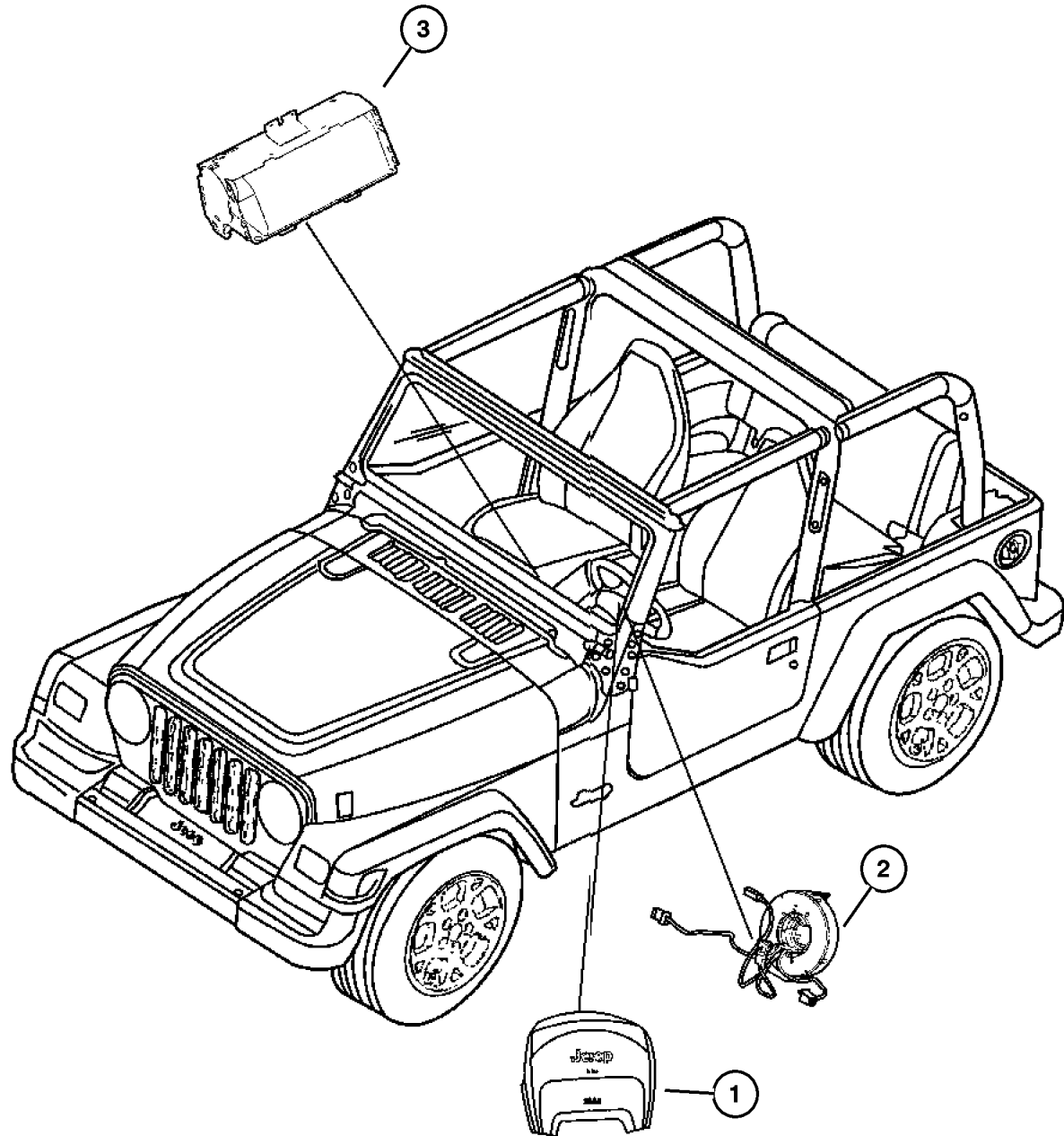
SERIES	LINE	BODY	ENGINE	TRANSMISSION
H = Sport	J = Wrangler 4WD	77 = 93.4 WB	ED1, ED0 = 2.4L DOHC	DGG, DGD = 32RH 3 Spd. Auto.
L = SE	U = Wrangler 4WD (RHD)		ERH = 4.0L Power Tech	DDD = 5 Speed HD Manual
M = X				DG0 = Auto. Trans.
P = Sahara				DBB = Manual Trans.
S = Rubicon				DDK = 5 Speed Manual

AR = Use as required - = Non illustrated part # = New this model year

January 6, 2004

**Air Bags and Clock Springs**  
**Figure 008-1710**

ITEM	PART NUMBER	QTY	LINE	SERIES	BODY	ENGINE	TRANS	TRIM	DESCRIPTION
1	#5JG52 DX9AC	1							AIR BAG, Driver
2	#56047 144AB	1							CLOCKSPRING
3	55314 982AF	1	J						AIR BAG, Passenger
		1	U		77				



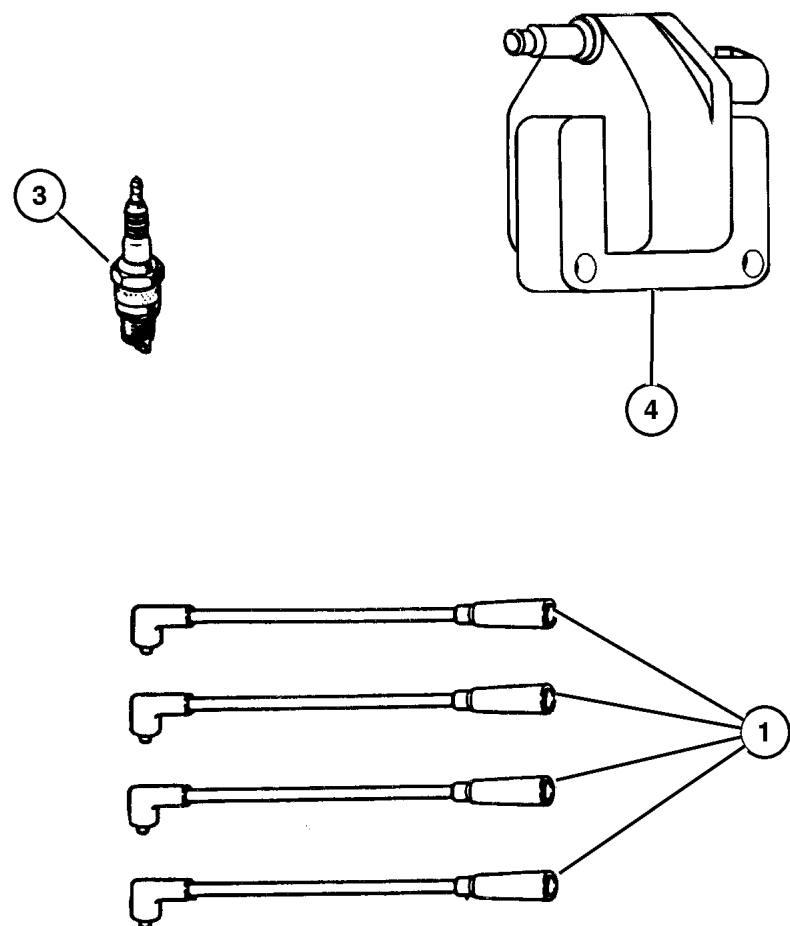
**JEEP WRANGLER (TJ)**

SERIES	LINE	BODY	ENGINE	TRANSMISSION
H = Sport	J = Wrangler 4WD	77 = 93.4 WB	ED1, ED0 = 2.4L DOHC	DGG, DGD = 32RH 3 Spd. Auto.
L = SE	U = Wrangler 4WD (RHD)		ERH = 4.0L Power Tech	DDD = 5 Speed HD Manual
M = X				DG0 = Auto. Trans.
P = Sahara				DBB = Manual Trans.
S = Rubicon				DDK = 5 Speed Manual

AR = Use as required - = Non illustrated part # = New this model year

January 6, 2004

## Spark Plugs--Cables--Coil Figure 008-1905



ITEM	PART NUMBER	QTY	LINE	SERIES	BODY	ENGINE	TRANS	TRIM	DESCRIPTION
Notes:									
[ED0]=2.4L Engine									
[ER0]=4.0L Engine									
1	56041 818AC	2				ED0			CABLE, Ignition [#2,3]
	56044 075AC	2				ED0			[#1,4]
-2	5102 091AA	1				ED0			CABLE PACKAGE, Ignition
3	SP00 0ZFR5N	6				ER0			SPARK PLUG
	SPRE1 4MCC5	4				ED0			
4	56041 476AA	1				ER0			COIL, Ignition
	4609 103AB	1				ED0			
-5	6502 921	4				ED0			SCREW, Ignition Coil Mounting
-6	6102 146AA	4				ER0			SCREW AND WASHER, Ignition Coil Mounting
-7									CAPACITOR, Ignition
	#56028 644AB	1				ED0			
	56041 889AA	1				ER0			
-8	6101 802	1				ED0			NUT, Capacitor mounting
-9	4693 243AA	4				ED0			ISOLATOR
-10	3300 4242	1				ER0			CLAMP, Distributor

### JEEP WRANGLER (TJ)

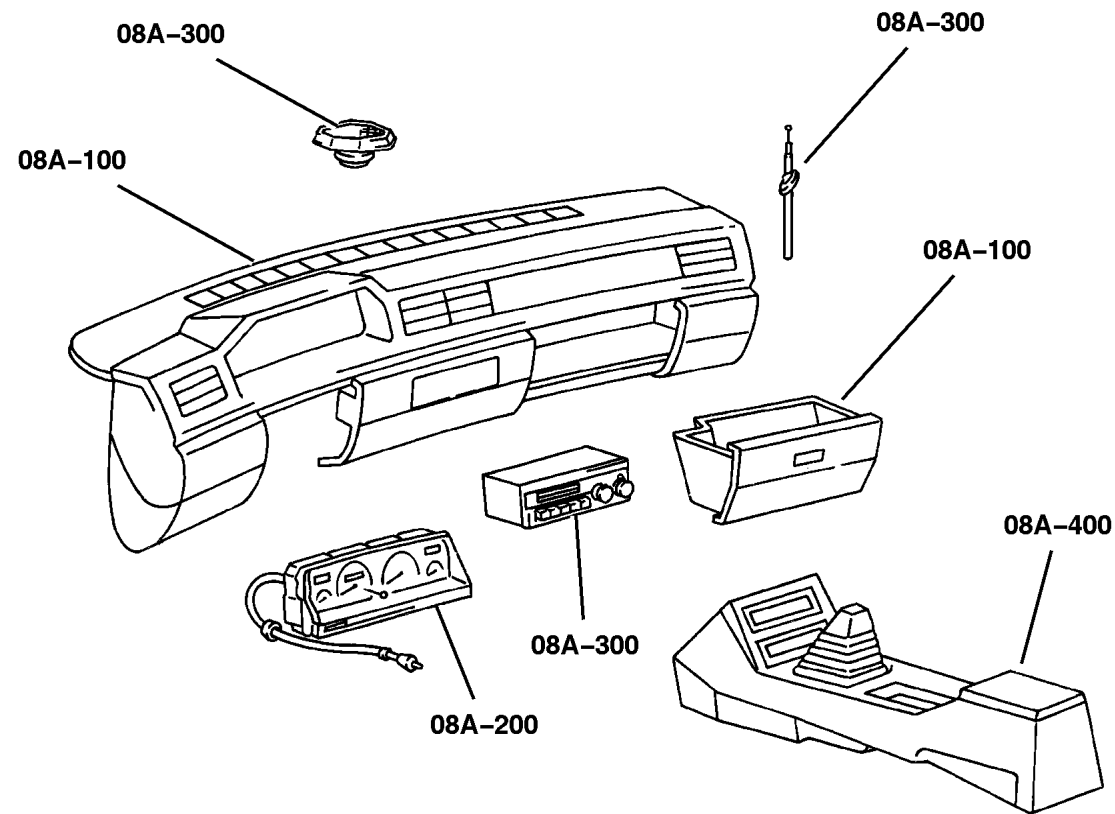
SERIES	LINE	BODY	ENGINE	TRANSMISSION
H = Sport	J = Wrangler 4WD	77 = 93.4 WB	ED1, ED0 = 2.4L DOHC	DGG, DGD = 32RH 3 Spd. Auto.
L = SE	U = Wrangler 4WD (RHD)		ERH = 4.0L Power Tech	DDD = 5 Speed HD Manual
M = X				DG0 = Auto. Trans.
P = Sahara				DBB = Manual Trans.
S = Rubicon				DDK = 5 Speed Manual

AR = Use as required - = Non illustrated part # = New this model year

January 6, 2004

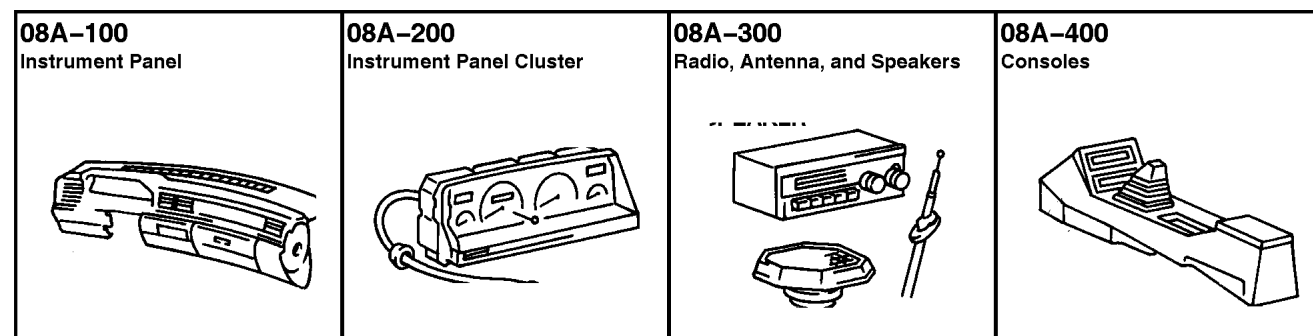
# Group – 08A

## Instrument Panel and Radios and Consoles

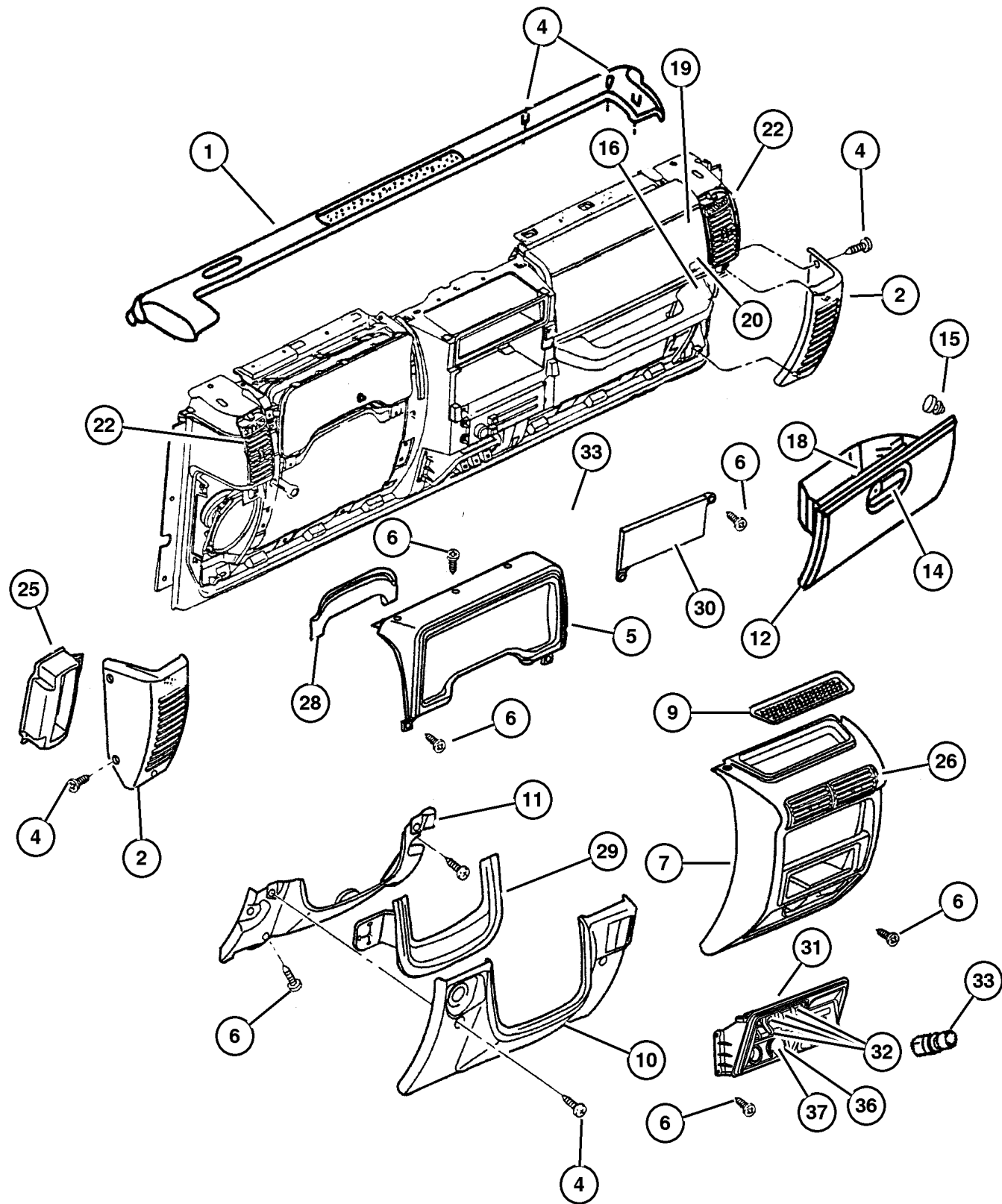


## GROUP 8A - Instrument Panel and Radios and Consoles

Illustration Title	Group-Fig. No.
<b>Instrument Panel</b>	
Instrument Panel .....	Fig. 08A-110
<b>Instrument Panel Cluster</b>	
Instrument Cluster .....	Fig. 08A-210
<b>Radio, Antenna, and Speakers</b>	
Radio .....	Fig. 08A-315
Antenna .....	Fig. 08A-320
Speakers .....	Fig. 08A-325
<b>Consoles</b>	
Consoles Full & Mini .....	Fig. 08A-410



Instrument Panel  
Figure 08A-110



ITEM	PART NUMBER	QTY	LINE	SERIES	BODY	ENGINE	TRANS	TRIM	DESCRIPTION
1									COVER, Instrument Panel
	5EU50 XDVAE	1							[DV]
	5EU50 ZJ3AE	1							[J3]
2									BEZEL, Speaker
	5DP1 6XDV	1							[DV], Right
	5DP1 6ZJ3	1							[J3], Right
	5DP1 7XDV	1							[DV], Left
	5DP1 7ZJ3	1							[J3], Left
-3	4524 342	2							CLIP
4	6035 369	4							SCREW, Piercing, .164-15x1.25
5									BEZEL, Instrument Cluster
	5GW62 DX9AA	1							[AYG]
	5GW62 BS2AB	1							[AYG]
6	6034 949	5							SCREW
7	5HG72 DX9AA	1							BEZEL, Instrument Panel, Center
-8	4731 028	3							BUMPER, Center Bezel
9	5511 5652	1							MAT, Console Cup Holder, Center
									Tray Rubber Insert
10									COVER, Instrument Panel, Steering
	UA83 XDVAA	1							Column Opening
									[DV] With Headlamp Leveling
	UA83 ZJ3AA	1							[J3] With Headlamp Leveling
	5GV99 XDVAA	1							[DV] Without Headlamp Leveling
	5GV99 ZJ3AA	1							[J3] Without Headlamp Leveling
11									PANEL, Knee Blocker, (NOT
									REQUIRED)
12									GLOVE BOX, Instrument Panel
	5DP56 XDVAD	1							[DV]
	5DP56 ZJ3AD	1							[J3]
-13									STRAP, Glove Box Door Stop
	5503 7355	1			U				
		1			J				
14									LATCH, Glovebox
	5EM2 8XDV	1							[DV]
	5EM2 8ZJ3	1							[J3]
15	5503 7225	2							BUMPER, Glove Box Door
16									HANDLE, Grab, I/Panel
	5DP5 2XDV	1			U				[DV]
		1			J				[DV]
	5DP5 2ZJ3	1			U				[J3]
		1			J				[J3]
-17									HANDLE, Grab, Bezel Only

JEEP WRANGLER (TJ)

SERIES  
H = Sport  
L = SE  
M = X  
P = Sahara  
S = Rubicon

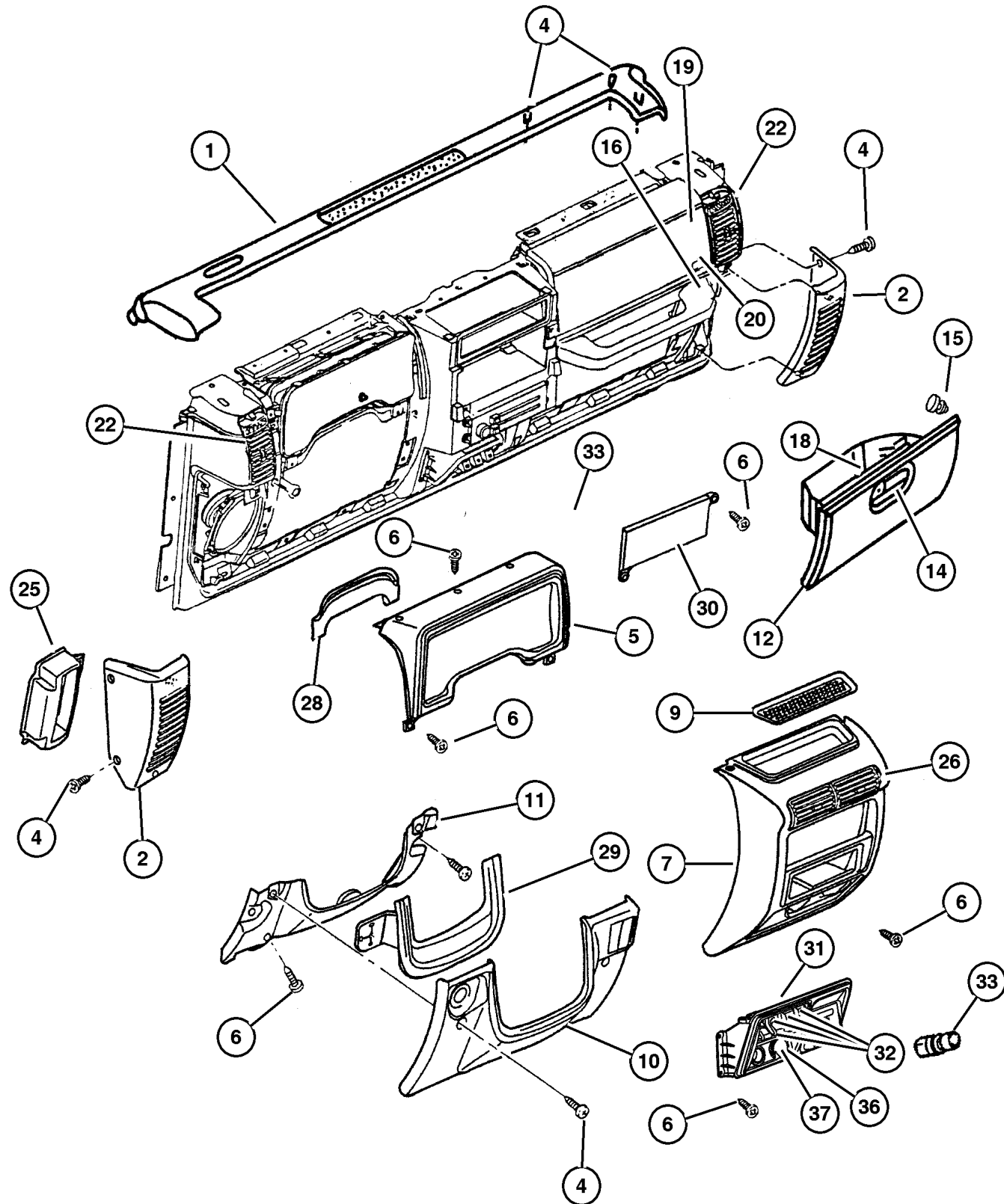
LINE  
J = Wrangler 4WD  
U = Wrangler 4WD (RHD)

BODY  
77 = 93.4 WB

ENGINE  
ED1, ED0 = 2.4L DOHC  
ERH = 4.0L Power Tech

TRANSMISSION  
DGG, DGD = 32RH 3 Spd.  
Auto.  
DDD = 5 Speed HD Manual  
DGO = Auto. Trans.  
DBB = Manual Trans.  
DDK = 5 Speed Manual

Instrument Panel  
Figure 08A-110



ITEM	PART NUMBER	QTY	LINE	SERIES	BODY	ENGINE	TRANS	TRIM	DESCRIPTION
	5EE1 1XDV	1	U						[DV]
		1	J						[DV]
	5EE1 1ZJ3	1	U						[J3]
		1	J						[J3]
18									STRIKER, Glove Box Door Latch
	5511 5170	1	U						
		1	J						
19									AIR BAG, Passenger
	55314 982AF	1	J						
		1	U		77				
20									DOOR, Passenger Air Bag
	5DU3 8XDV	1	U						[DV]
		1	J						[DV]
	5DU3 8ZJ3	1	U						[J3]
		1	J						[J3]
-21									SCREW AND WASHER, Hex Head, M6x1x20
	6101 455	2	J						
		2	U		77				
22									OUTLET, Air Conditioning & Heater
	5DP5 4XDV	1	U						[DV], Right
		1	J						[DV], Right
	5DP5 4ZJ3	1	U						[J3], Right
		1	J						[J3], Right
-23									PANEL, Instrument
	XX15 XDVAA	1	J						[DV]
	XX15 ZJ3AA	1	J						[J3]
	XX16 XDVAA	1	U		77				[DV]
	XX16 ZJ3AA	1	U		77				[J3]
-24									PANEL, Instrument, Cosmetic Repair Panel
	5HG71 XDVAB	1	U						[DV]
		1	J						[DV]
	5HG71 ZJ3AB	1	U						[J3]
		1	J						[J3]
25									BAFFLE, Speaker, (NOT REQUIRED)
26	5FS1 ODX9	2							OUTLET, Air Conditioning & Heater
-27	6503 175	5							CLIP, Quarter Panel, I/Panel
28									FILLER, I/P To A Pillar, FILLER, Gap (Serviced in Item # 5), (NOT SERVICED) (Not Serviced)

JEEP WRANGLER (TJ)

SERIES  
H = Sport  
L = SE  
M = X  
P = Sahara  
S = Rubicon

LINE  
J = Wrangler 4WD  
U = Wrangler 4WD (RHD)

BODY  
77 = 93.4 WB

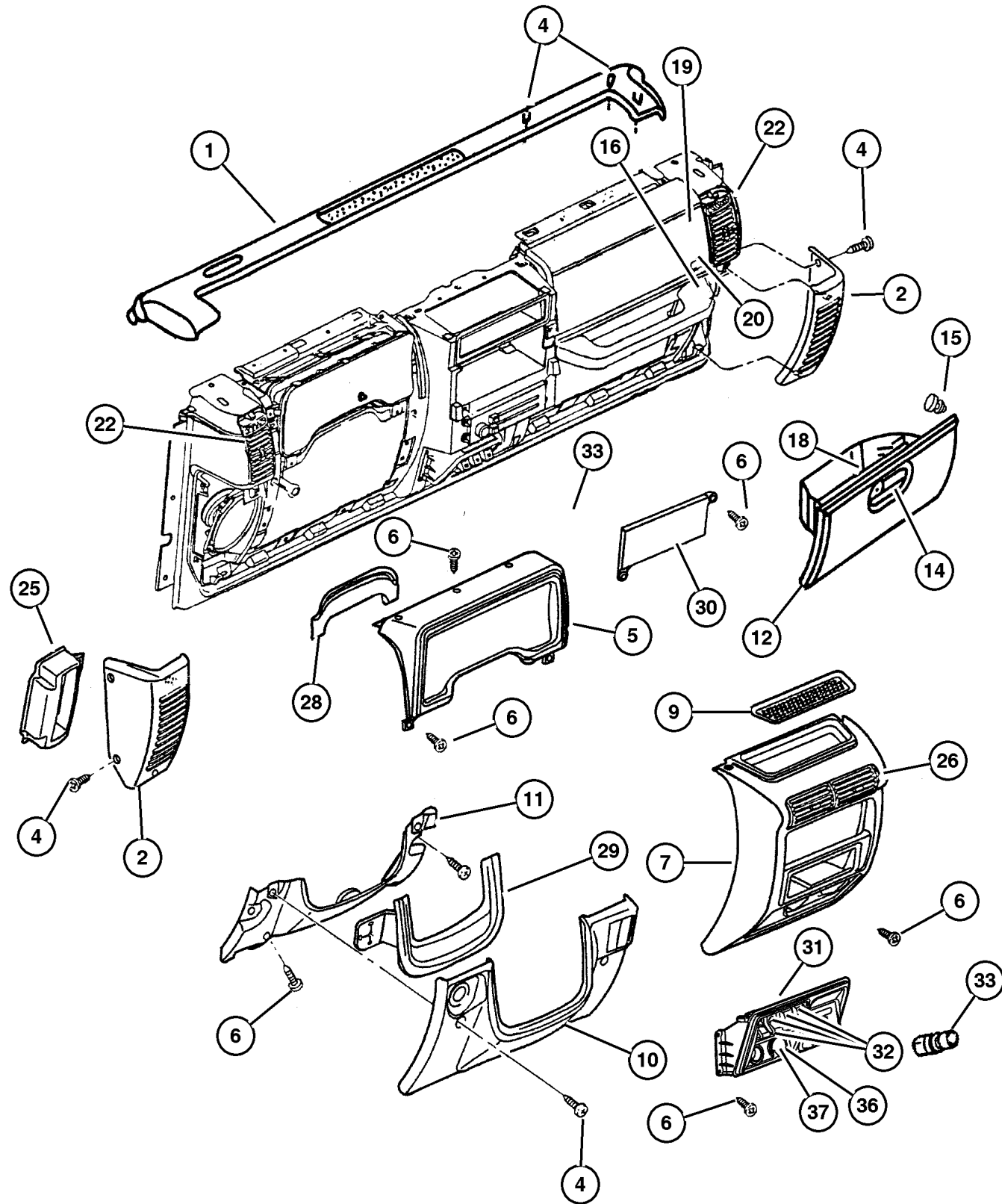
ENGINE  
ED1, ED0 = 2.4L DOHC  
ERH = 4.0L Power Tech

TRANSMISSION  
DGG, DGD = 32RH 3 Spd. Auto.  
DDD = 5 Speed HD Manual  
DGO = Auto. Trans.  
DBB = Manual Trans.  
DDK = 5 Speed Manual

AR = Use as required - = Non illustrated part # = New this model year

January 6, 2004

Instrument Panel  
Figure 08A-110



ITEM	PART NUMBER	QTY	LINE	SERIES	BODY	ENGINE	TRANS	TRIM	DESCRIPTION
29									FILLER, I/P To A Pillar, FILLER, Gap (Serviced In Item # 9), (NOT SERVICED) (Not Serviced)
30									COVER, Radio Opening, (NOT SERVICED) (Not Serviced)
31	#56047 071AC	1					DBB		BEZEL, Cigar Lighter 4 Switch Plugs, Cigar & Power Outlet with Socket / Cap Included
	5101 964AA	1					DBB		4 Switch Plugs Not Included
	#56047 071AC	1					DG0		4 Switch Plugs, Cigar & Power Outlet with Socket / Cap Included
	5096 094AA	1			77		DBB		4 Switch Plugs Not Included
		1			77		DG0		4 Switch Plugs Not Included
	5101 964AA	1					DG0		4 Switch Plugs Not Included
32									PLUG, Switch Opening Rear Washer & Wiper
	5600 7329	1					DBB		Rear Washer & Wiper
		1					DG0		Rear Washer & Wiper
	5600 7330	1					DBB		Heated Rear Window
		1					DG0		Heated Rear Window
	56047 065AA	1					DBB		Axle Lock
		1					DG0		Axle Lock
	56007 285AB	1					DG0		Overdrive Lockout
		1					DBB		Overdrive Lockout
33	4685 536	1							KNOB AND ELEMENT, Cigar Lighter
-34									BASE, Cigar Lighter
	4685 590	1					DBB		
		1					DG0		
-35									RING, Cigar Lighter Mounting
	4793 555	2					DG0		
		2					DBB		
36									POWER OUTLET
	4793 554AB	1					DBB		
		1					DG0		
37									CAP, Power Outlet
	4685 666AB	1					DG0		
		1					DBB		
-38	5600 8852	1							CAP, Cigar Lighter, Without Cigar Lighter

JEEP WRANGLER (TJ)

SERIES  
H = Sport  
L = SE  
M = X  
P = Sahara  
S = Rubicon

LINE  
J = Wrangler 4WD  
U = Wrangler 4WD (RHD)

BODY  
77 = 93.4 WB

ENGINE  
ED1, ED0 = 2.4L DOHC  
ERH = 4.0L Power Tech

TRANSMISSION  
DGG, DGD = 32RH 3 Spd. Auto.  
DDD = 5 Speed HD Manual  
DG0 = Auto. Trans.  
DBB = Manual Trans.  
DDK = 5 Speed Manual

AR = Use as required - = Non illustrated part # = New this model year

January 6, 2004

**Instrument Cluster  
Figure 08A-210**

ITEM	PART NUMBER	QTY	LINE	SERIES	BODY	ENGINE	TRANS	TRIM	DESCRIPTION
------	-------------	-----	------	--------	------	--------	-------	------	-------------

Notes:

[ED0]=All 4 Cylinder Engine

[ER0]=4.0L Engine

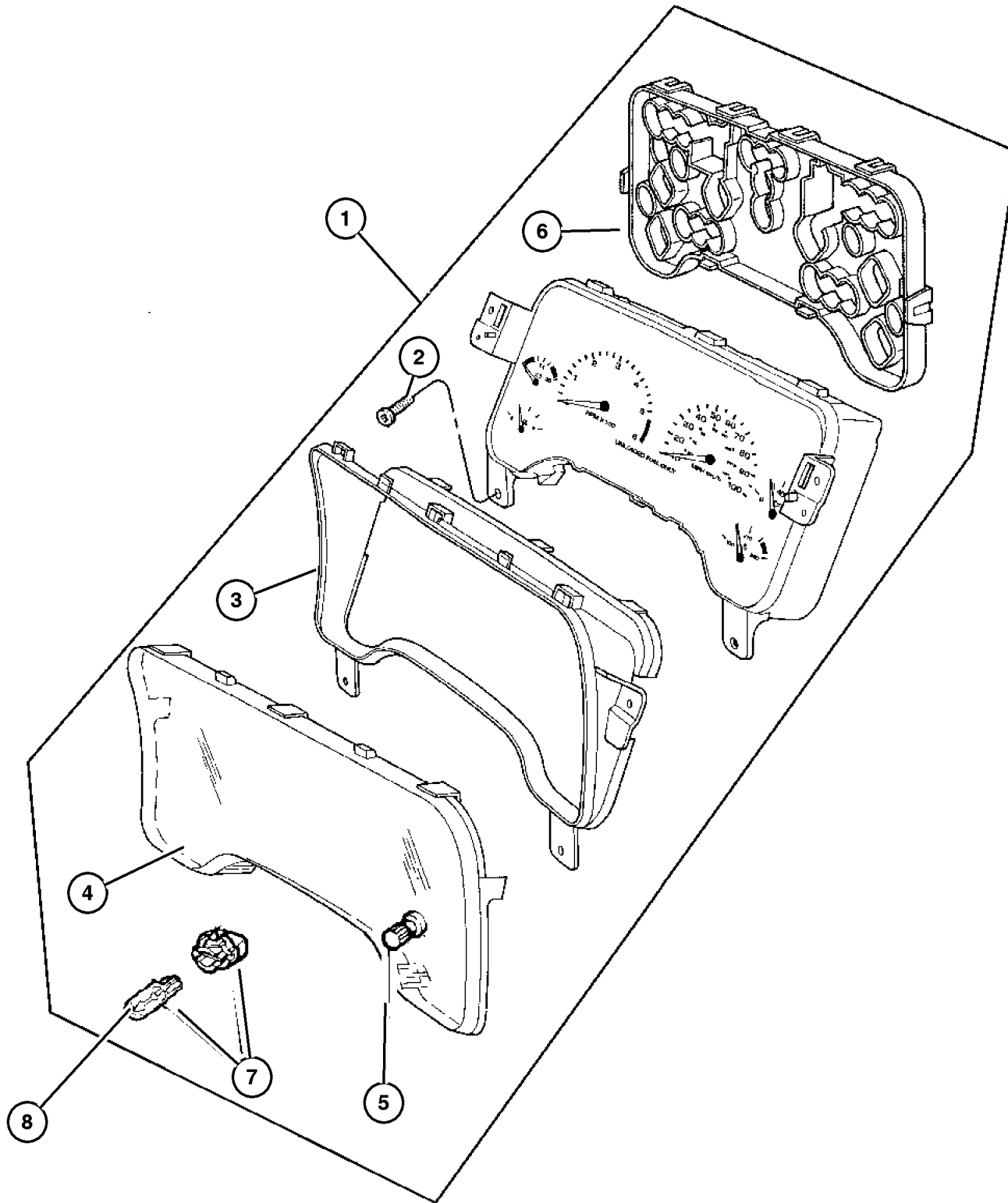
1									CLUSTER
	#56047 016AE	1							[JCD]
	#56047 017AE	1				ED0, ER0			[JDB]
	#56047 078AG	1				ED0, ER0			[JDB,LPG]
	#56047 018AE	1	U		77	ED0, ER0			[JCK]
	#56047 019AE	1	U		77	ED0, ER0			[JD1]
2	6034 949	5							SCREW
3	4874 344	1	U			ED0, ER0			MASK, Instrument Cluster
		1							
4	4874 345	1	U			ED0, ER0			LENS, Cluster
		1							
5	4874 346	1	U			ED0, ER0			GROMMET, Speedometer Trip Reset
		1							
6									COVER, Cluster, Serviced in Assembly Only , (NOT SERVICED) (Not Serviced)
7	4874 349	5				ED0, ER0			BULB AND SOCKET
		5	U			ED0, ER0			
8	L000 PC74	1	U			ED0, ER0			BULB, PC74
		1							

JEEP WRANGLER (TJ)

SERIES	LINE	BODY	ENGINE	TRANSMISSION
H = Sport	J = Wrangler 4WD	77 = 93.4 WB	ED1, ED0 = 2.4L DOHC	DGG, DGD = 32RH 3 Spd. Auto.
L = SE	U = Wrangler 4WD (RHD)		ERH = 4.0L Power Tech	DDD = 5 Speed HD Manual
M = X				DG0 = Auto. Trans.
P = Sahara				DBB = Manual Trans.
S = Rubicon				DDK = 5 Speed Manual

AR = Use as required - = Non illustrated part # = New this model year

January 6, 2004





**Radio  
Figure 08A-315**

ITEM	PART NUMBER	QTY	LINE	SERIES	BODY	ENGINE	TRANS	TRIM	DESCRIPTION
------	-------------	-----	------	--------	------	--------	-------	------	-------------

Notes:

- [RAD]=AM/FM Cassette /CD with Changer
- [RBB]=AM/FM Cassette with Changer
- [RBK]=AM/FM Compact Disc with Changer
- [RBP]=AM/FM Cassette /CD with Changer
- [RBT]=AM/FM Cassette /CD with Changer
- [RBY]=AM/FM Cassette /CD with Changer

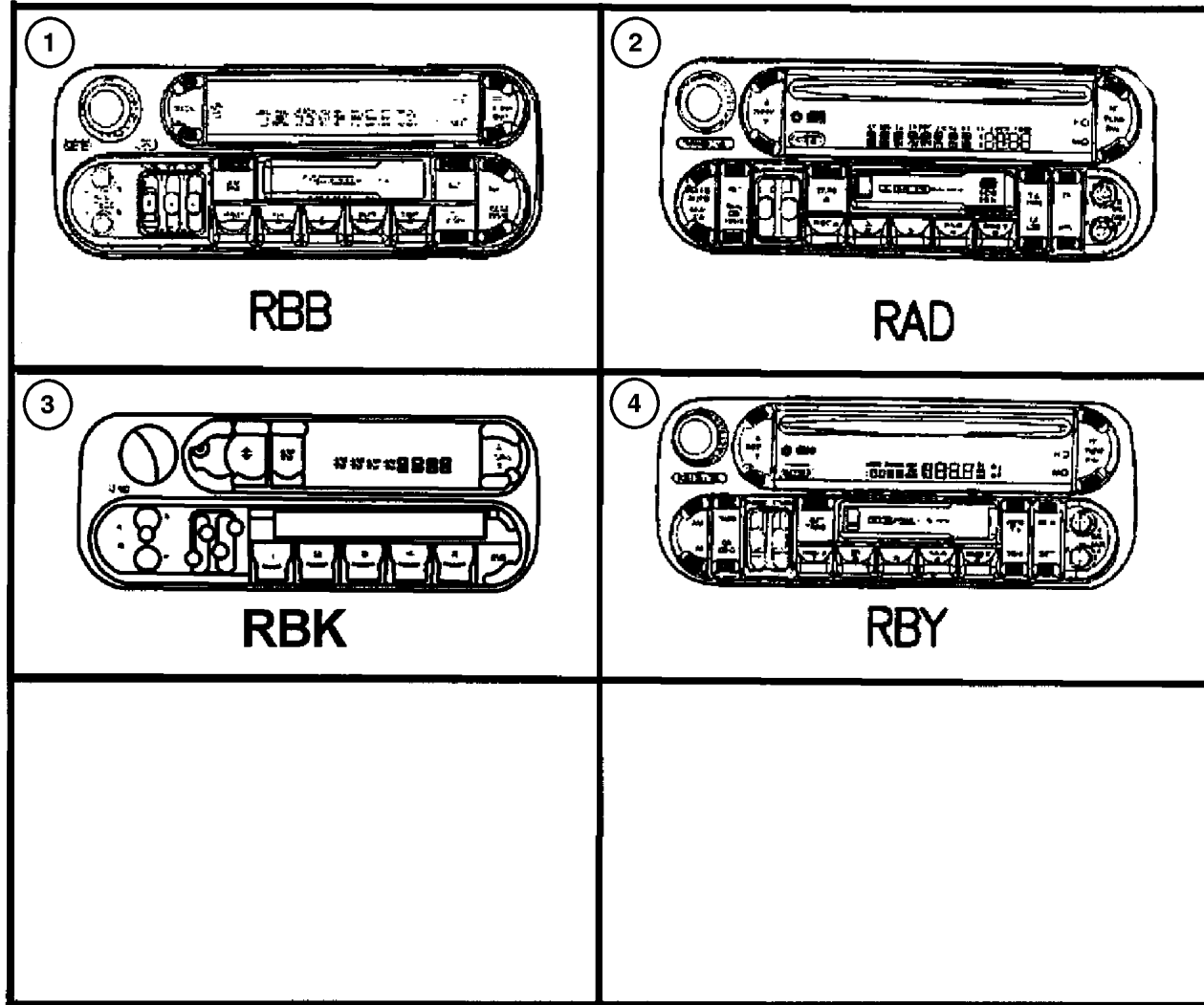
1	#5091 555AE	1							RADIO, AM/FM/Cassette With CD, [RBB]
2	#5091 601AD	1							RADIO, AM/FM/Cassette With CD, [RAD]
3	#5091 556AE	1							RADIO, AM/FM with CD and Equalizer, [RBK]
4	#5091 609AB	1							RADIO, AM/FM/Cassette With CD, [RBY]
-5	#5091 608AB	1							RADIO, AM/FM/Cassette With CD, [RBT]
-6	#5091 650AA	1							RADIO, AM/FM/Cassette With CD, [REH]
-7	6101 945	4							SCREW, Radio Mounting
-8	5600 9161	1							STRAP, Ground
-9	56038 745AC	1							BRACKET, Radio
-10	56038 744AC	1							PLATE, Radio Opening, Rear Radio Plate Mounting
-11									CLIP, Speaker
	6035 859	3	J						
		4	J						
		4	U				77		
-12	J400 4642	1							SCREW, Round Head, .164-18x.560, Dedicated Radio Ground

JEEP WRANGLER (TJ)

SERIES	LINE	BODY	ENGINE	TRANSMISSION
H = Sport	J = Wrangler 4WD	77 = 93.4 WB	ED1, ED0 = 2.4L DOHC	DGG, DGD = 32RH 3 Spd. Auto.
L = SE	U = Wrangler 4WD (RHD)		ERH = 4.0L Power Tech	DDD = 5 Speed HD Manual
M = X				DG0 = Auto. Trans.
P = Sahara				DBB = Manual Trans.
S = Rubicon				DDK = 5 Speed Manual

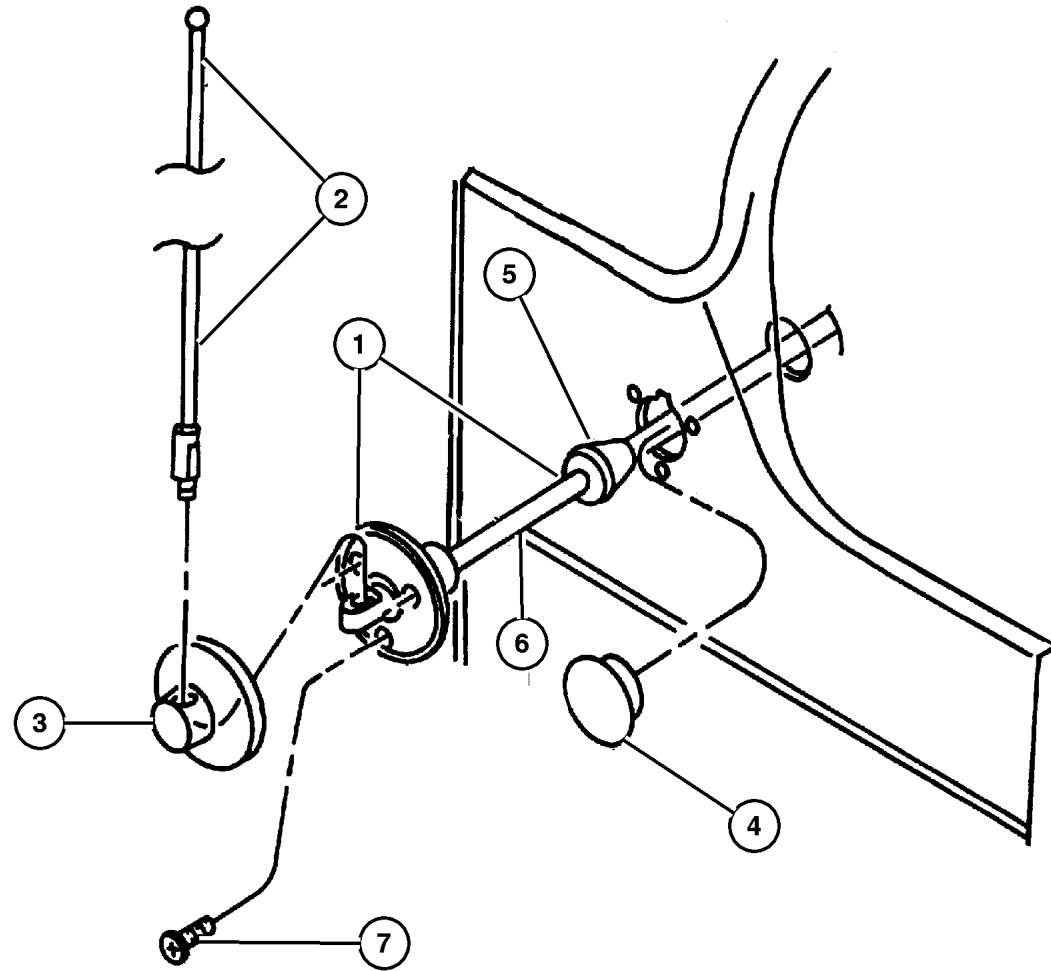
AR = Use as required - = Non illustrated part # = New this model year

January 6, 2004



**Antenna  
Figure 08A-320**

ITEM	PART NUMBER	QTY	LINE	SERIES	BODY	ENGINE	TRANS	TRIM	DESCRIPTION
1	56038 660AB	1			77				ANTENNA, Base Cable And Bracket
2	56009 081AC	1							MAST, Antenna, Chrome
3	5603 8504	1							COVER, Antenna Opening
4	5600 8929	1	J						PLUG, Antenna Hole
5									GROMMET, Antenna, (NOT SERVICED) (Not Serviced)
6	56038 661AB	1							CABLE, Antenna
7									SCREW, .164-18x.75, (NOT SERVICED) (Not Serviced)
-8	5094 003AA	1							ANTENNA, Satellite, [RB3]



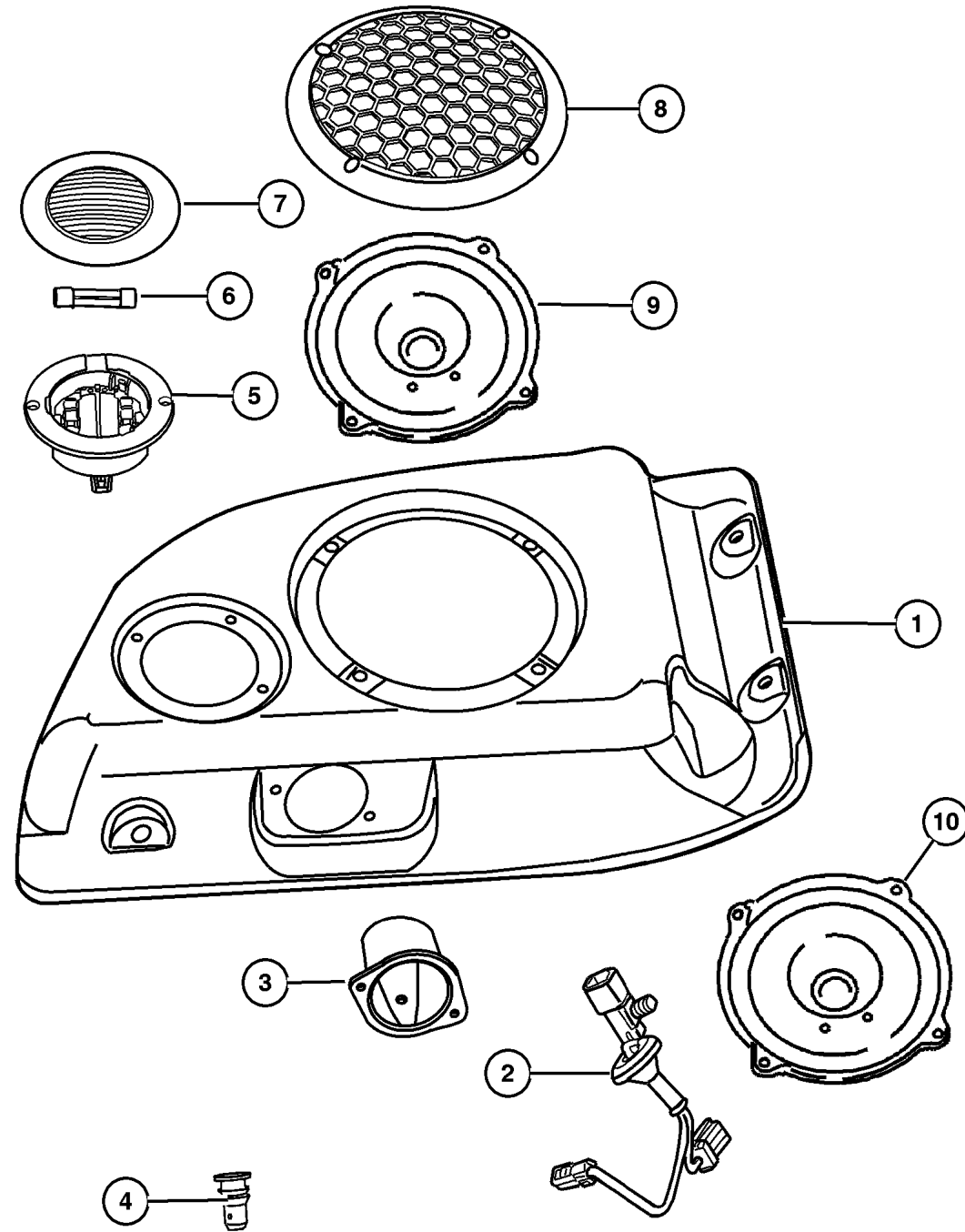
**JEEP WRANGLER (TJ)**

SERIES	LINE	BODY	ENGINE	TRANSMISSION
H = Sport	J = Wrangler 4WD	77 = 93.4 WB	ED1, ED0 = 2.4L DOHC	DGG, DGD = 32RH 3 Spd. Auto.
L = SE	U = Wrangler 4WD (RHD)		ERH = 4.0L Power Tech	DDD = 5 Speed HD Manual
M = X				DG0 = Auto. Trans.
P = Sahara				DBB = Manual Trans.
S = Rubicon				DDK = 5 Speed Manual

AR = Use as required - = Non illustrated part # = New this model year

January 6, 2004

## Speakers Figure 08A-325



ITEM	PART NUMBER	QTY	LINE	SERIES	BODY	ENGINE	TRANS	TRIM	DESCRIPTION
1									HOUSING, Speaker
	5HU98 DX9AE	1							Black (Speaker Grille, Lamp, Lens & Wiring Included), Right
	5HU99 DX9AE	1							Black (Speaker Grille, Lamp, Lens & Wiring Included), Left
2	56047 121AC	1							WIRING, Speaker - Rear
3									CUP, Wire Cup (Serviced with Speaker Housing) , (NOT SERVICED) (Not Serviced)
4	5093 022AA	1							SLEEVE, Isolator
5	#56047 114AC	1							LAMP, Dome
6	L002 1102	1							BULB, 211-2
7	56047 115AA	1							LENS, Dome Lamp
8	5086 805AA	1							GRILLE, Speaker
9	56038 566AE	1							SPEAKER, Rear
10									SPEAKER, Instrument Panel
	56008 795AG	2							[RCD] 4 Speakers
	56038 719AC	2							[RCU] 7 Speakers Including Subwoofer

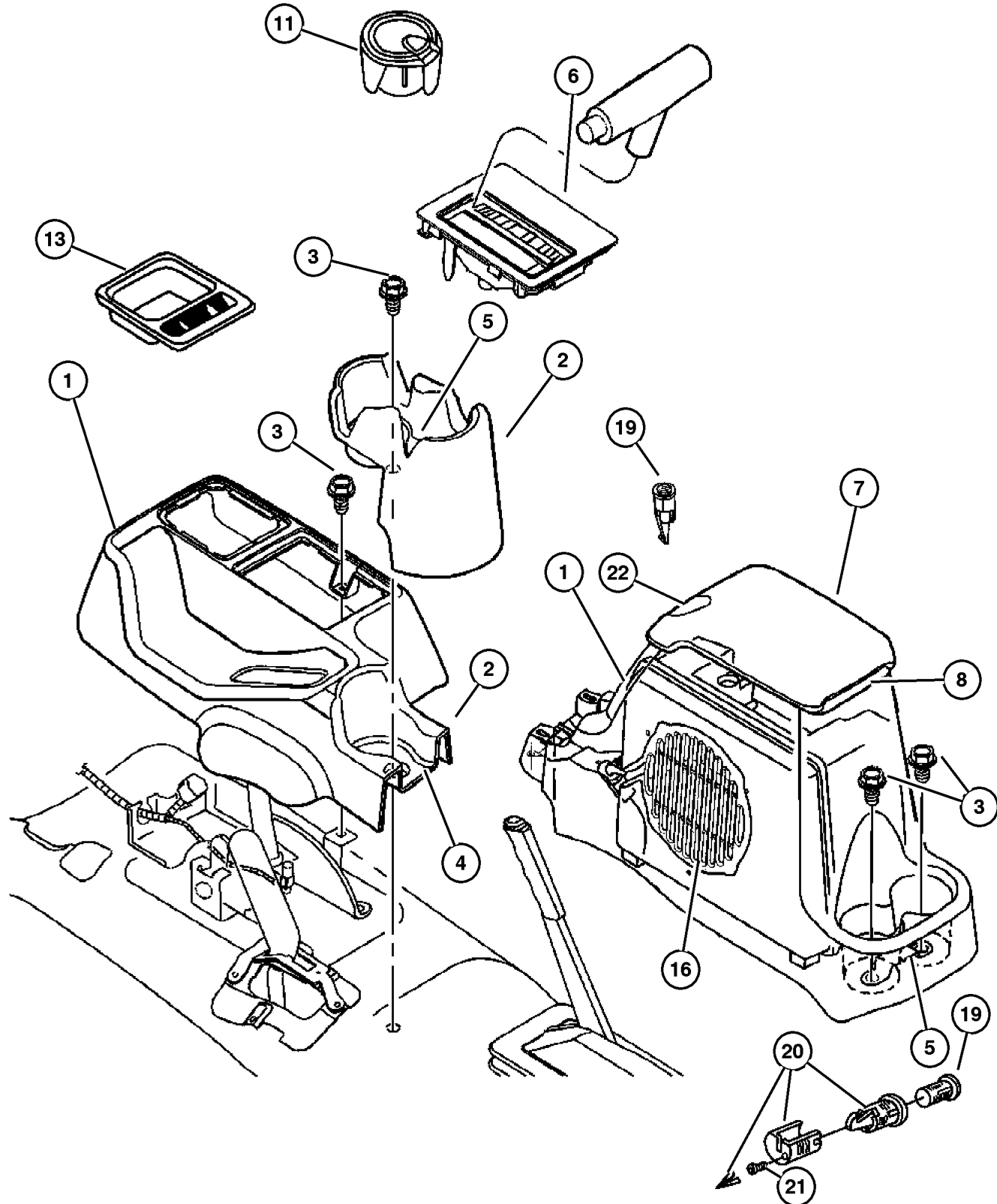
**JEEP WRANGLER (TJ)**

SERIES	LINE	BODY	ENGINE	TRANSMISSION
H = Sport	J = Wrangler 4WD	77 = 93.4 WB	ED1, ED0 = 2.4L DOHC	DGG, DGD = 32RH 3 Spd. Auto.
L = SE	U = Wrangler 4WD (RHD)		ERH = 4.0L Power Tech	DDD = 5 Speed HD Manual
M = X				DG0 = Auto. Trans.
P = Sahara				DBB = Manual Trans.
S = Rubicon				DDK = 5 Speed Manual

AR = Use as required - = Non illustrated part # = New this model year

January 6, 2004

Consoles Full & Mini  
Figure 08A-410



ITEM	PART NUMBER	QTY	LINE	SERIES	BODY	ENGINE	TRANS	TRIM	DESCRIPTION
Notes:									
[DG0]=All Automatic Transmissions									
1	WS46 XDVAB	1							CONSOLE, Floor [DV] Rear Tower with Full Floor Console & with Subwoofer
	WS46 ZJ3AB	1							[J3] Rear Tower with Full Floor Console & with Subwoofer
	5HF13 XDVAC	1							[DV] Mini Console or Forward Section of Full Console
	5HF13 ZJ3AC	1							[J3] Mini Console or Forward Section of Full Console
	5HE62 XDVAE	1							[DV] Rear Tower with Full Floor Console & without Subwoofer
	5HE62 ZJ3AE	1							[J3] Rear Tower with Full Floor Console & without Subwoofer
2	55315 038AC	1							CUPHOLDER, Console Dual Cupholder (Full Console)
	5HJ98 XDVAB	1							[DV] Rear of Mini Floor Console
	5HJ98 ZJ3AB	1							[J3] Rear of Mini Floor Console
3									SCREW, 0.190-16x.875 , (NOT SERVICED) (Not Serviced)
4	5511 5652	1							MAT, Console Cup Holder, Single Cupholder Mat
5	55315 050AA	1							MAT, Floor, Double Cupholder Mat
6	55315 059AB	1					DG0		BEZEL AND DIAL, Gearshift Lever
7	5HE63 XDVAD	1							LID, Center Console Storage [DV] Latch & Hinge Included
	5HE63 ZJ3AD	1							[J3] Latch & Hinge Included
8	55315 039AB	1							HINGE, Floor Console Lid
-9									STRIKER, Console Lid Catch, Serviced in Console, (NOT SERVICED) (Not Serviced)
-10	55315 051AA	2							BUMPER, Glove Box Door
11	5HZ57 DX9AB	1							ASH RECEIVER, Floor Console
-12	56010 301AB	1					DBB		SWITCH, Passenger Airbag Disarm
		1					DG0		
13	55315 056AB	1							TRAY, Floor Console
-14	55315 000AB	1					DBB		PLUG, Cover
		1					DG0		
-15									BIN, Storage

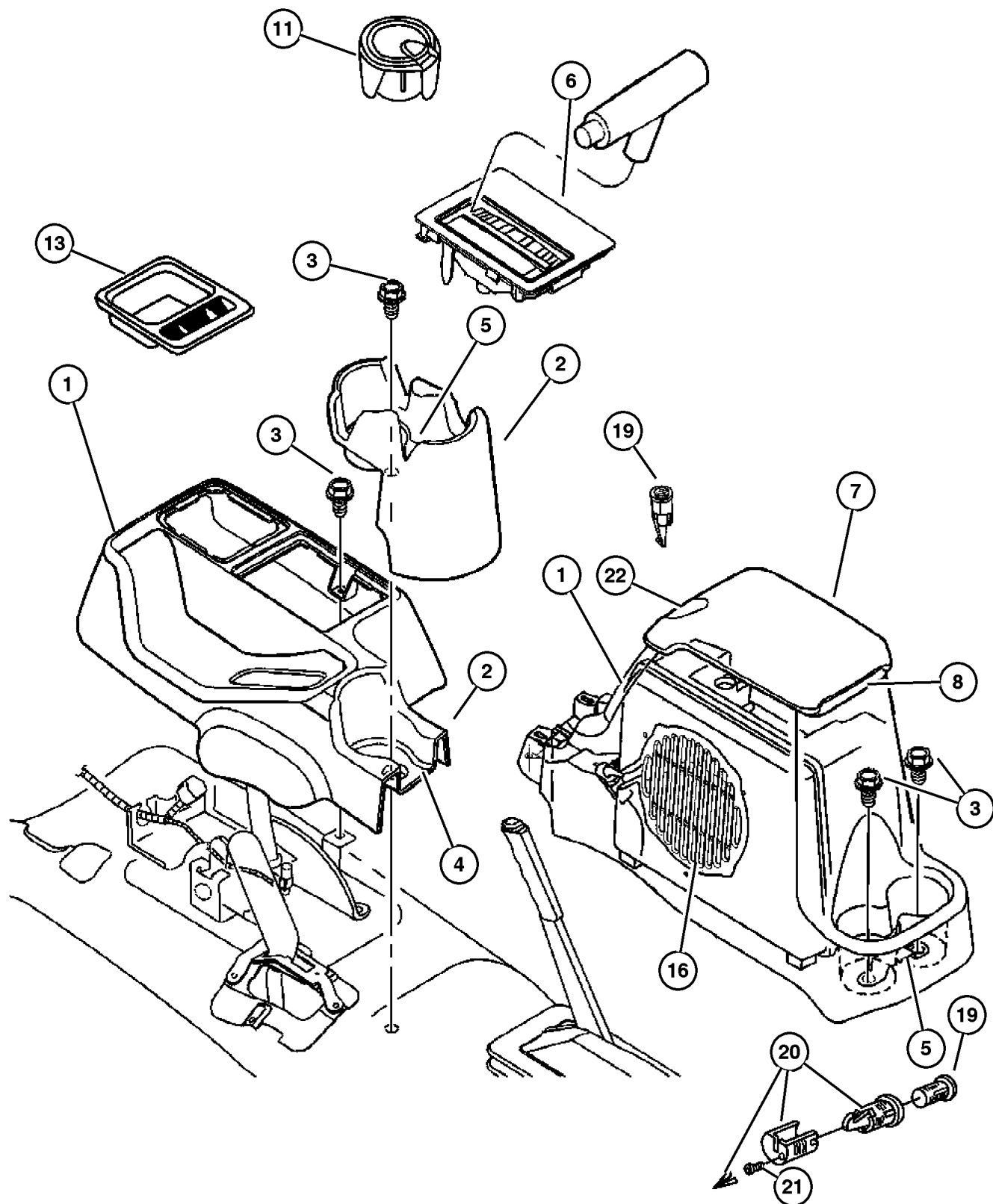
JEEP WRANGLER (TJ)

SERIES	LINE	BODY	ENGINE	TRANSMISSION
H = Sport	J = Wrangler 4WD	77 = 93.4 WB	ED1, ED0 = 2.4L DOHC	DGG, DGD = 32RH 3 Spd. Auto.
L = SE	U = Wrangler 4WD (RHD)		ERH = 4.0L Power Tech	DDD = 5 Speed HD Manual
M = X				DG0 = Auto. Trans.
P = Sahara				DBB = Manual Trans.
S = Rubicon				DDK = 5 Speed Manual

AR = Use as required - = Non illustrated part # = New this model year

January 6, 2004

Consoles Full & Mini  
Figure 08A-410



ITEM	PART NUMBER	QTY	LINE	SERIES	BODY	ENGINE	TRANS	TRIM	DESCRIPTION
	55315 040AC	1							Without Compact Disc & without Subwoofer
	55315 055AA	1							With Compact Disc
16	56038 743AC	1							SPEAKER, Sub Woofer, Full Console Rear
-17	55315 043AC	1							PLATE, Speaker, Without Compact Disc & without Subwoofer
-18	6034 833	2							CLIP, Push, .164-7.5, Hinge to Console Base
19	4746 305	1							CYLINDER, Console Lock
20	4741 954	1							LATCH, Storage Bin Lid
21									SCREW, (NOT SERVICED) (Not Serviced)
22	55315 041AC	1							LATCH, Armrest Lid, Latch Clamp
-23	J400 4642	1							SCREW, Round Head, .164-18x.560, Subwoofer Ground

JEEP WRANGLER (TJ)

SERIES	LINE	BODY	ENGINE	TRANSMISSION
H = Sport	J = Wrangler 4WD	77 = 93.4 WB	ED1, ED0 = 2.4L DOHC	DGG, DGD = 32RH 3 Spd. Auto.
L = SE	U = Wrangler 4WD (RHD)		ERH = 4.0L Power Tech	DDD = 5 Speed HD Manual
M = X				DG0 = Auto. Trans.
P = Sahara				DBB = Manual Trans.
S = Rubicon				DDK = 5 Speed Manual

AR = Use as required - = Non illustrated part # = New this model year

January 6, 2004

# Group – 009

## Engine Mounting

### GROUP 9 - Engine Mounting

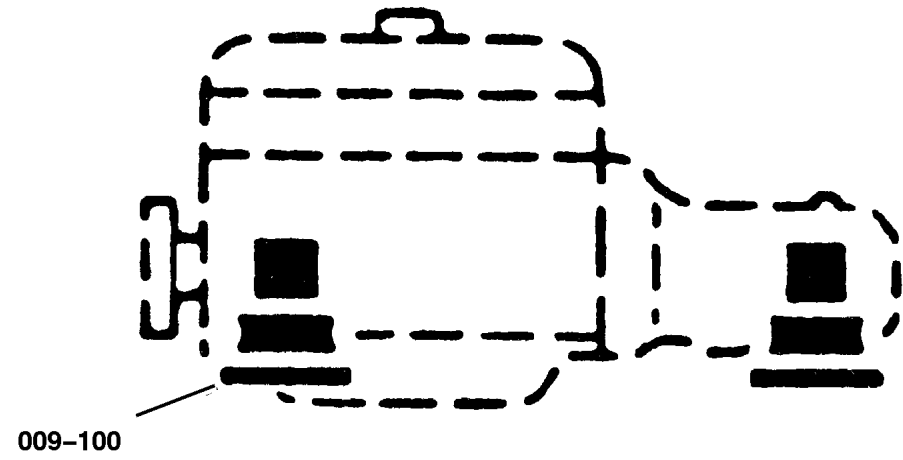
Illustration Title

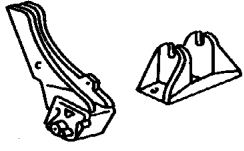
Group-Fig. No.

#### Engine Mounting

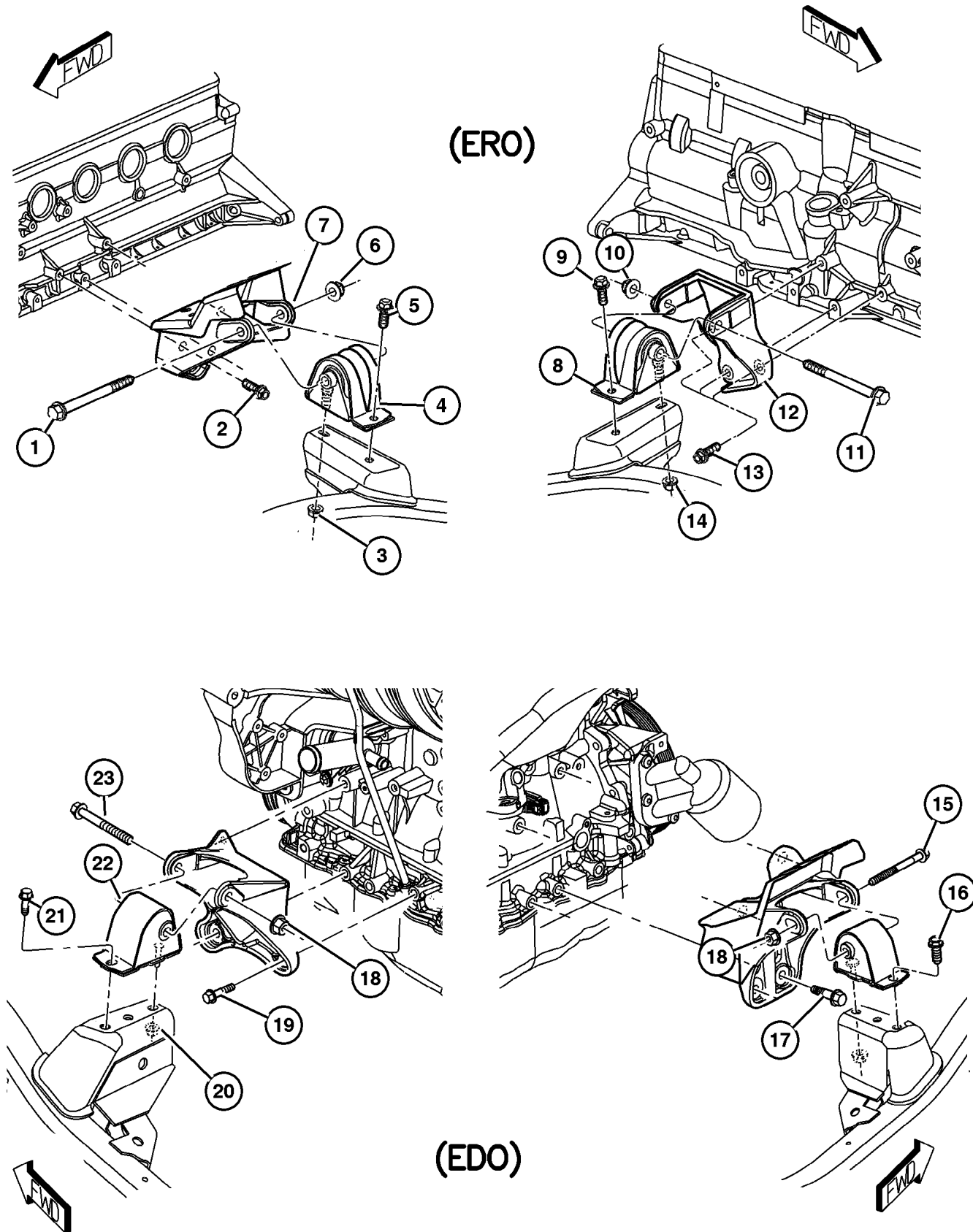
Engine Mounting, Front, 2.4 (ED1) 4.0 (ERO) ..... Fig. 009-110

Engine Mounting, Rear, 2.4 (ED1) 4.0 (ERO) ..... Fig. 009-120



<p><b>009-100</b> Engine Mounting</p> 			
---	--	--	--

**Engine Mounting, Front, 2.4 (ED1) 4.0 (ERO)  
Figure 009-110**



ITEM	PART NUMBER	QTY	LINE	SERIES	BODY	ENGINE	TRANS	TRIM	DESCRIPTION
Note: Sales Codes:									
[ED0] = All 2.4L 4 Cylinder Engines									
[ER0] = All 4.0L 6 Cylinder Engines									
1	3420 2606	2				ER0			BOLT, Hex Head
2	6503 699	6				ER0			SCREW AND WASHER, Hex Head, M10x1.5x28
3	6502 696	2							NUT, Hex Flange Lock, M10x1.5
4	52019 278AC	2				ER0			INSULATOR, Engine Mount
5	6502 137	2							BOLT, Hex Flange Head, M10x1.5x35
6	6502 697	2							NUT, Hex Flange Lock, M12x1.75
7	52059 285AB	1				ER0			BRACKET, Engine Mount
8	52019 278AC	2				ER0			INSULATOR, Engine Mount
9	6502 137	2							BOLT, Hex Flange Head, M10x1.5x35
10	6502 697	2							NUT, Hex Flange Lock, M12x1.75
11	3420 2606	2				ER0			BOLT, Hex Head
12									BRACKET, Engine Mount
	52059 418AA	1				ED0			Left
	52059 420AB	1				ED0			Right
	52059 284AB	1				ER0			
13	6503 699	6				ER0			SCREW AND WASHER, Hex Head, M10x1.5x28
14	6502 696	2							NUT, Hex Flange Lock, M10x1.5
15	3420 2606	1				ED0			BOLT, Hex Head
16	6502 137	2							BOLT, Hex Flange Head, M10x1.5x35
17	6503 699	7				ED0			SCREW AND WASHER, Hex Head, M10x1.5x28
18	6502 697	2							NUT, Hex Flange Lock, M12x1.75
19	6503 699	7				ED0			SCREW AND WASHER, Hex Head, M10x1.5x28
20	6502 696	2							NUT, Hex Flange Lock, M10x1.5
21	6502 137	2							BOLT, Hex Flange Head, M10x1.5x35
22	52019 276AC	2				ED0			INSULATOR, Engine Mount
23	6507 344AA	1				ED0			BOLT

**JEEP WRANGLER (TJ)**

SERIES	LINE	BODY	ENGINE	TRANSMISSION
H = Sport	J = Wrangler 4WD	77 = 93.4 WB	ED1, ED0 = 2.4L DOHC	DGG, DGD = 32RH 3 Spd. Auto.
L = SE	U = Wrangler 4WD (RHD)		ERH = 4.0L Power Tech	DDD = 5 Speed HD Manual
M = X				DG0 = Auto. Trans.
P = Sahara				DBB = Manual Trans.
S = Rubicon				DDK = 5 Speed Manual

AR = Use as required - = Non illustrated part # = New this model year

January 6, 2004

**Engine Mounting, Rear, 2.4 (ED1) 4.0 (ERO)  
Figure 009-120**

ITEM	PART NUMBER	QTY	LINE	SERIES	BODY	ENGINE	TRANS	TRIM	DESCRIPTION
------	-------------	-----	------	--------	------	--------	-------	------	-------------

Note: Sales Codes:

[DD0] = All 5 Speed Manual Transmissions

[DG0] = All Automatic Transmissions

[ED0] = All 2.4L 4 Cylinder Engines

[ED1] = 2.4L Power Tech DOHC I-4 Engine

[ER0] = All 4.0L 6 Cylinder Engines

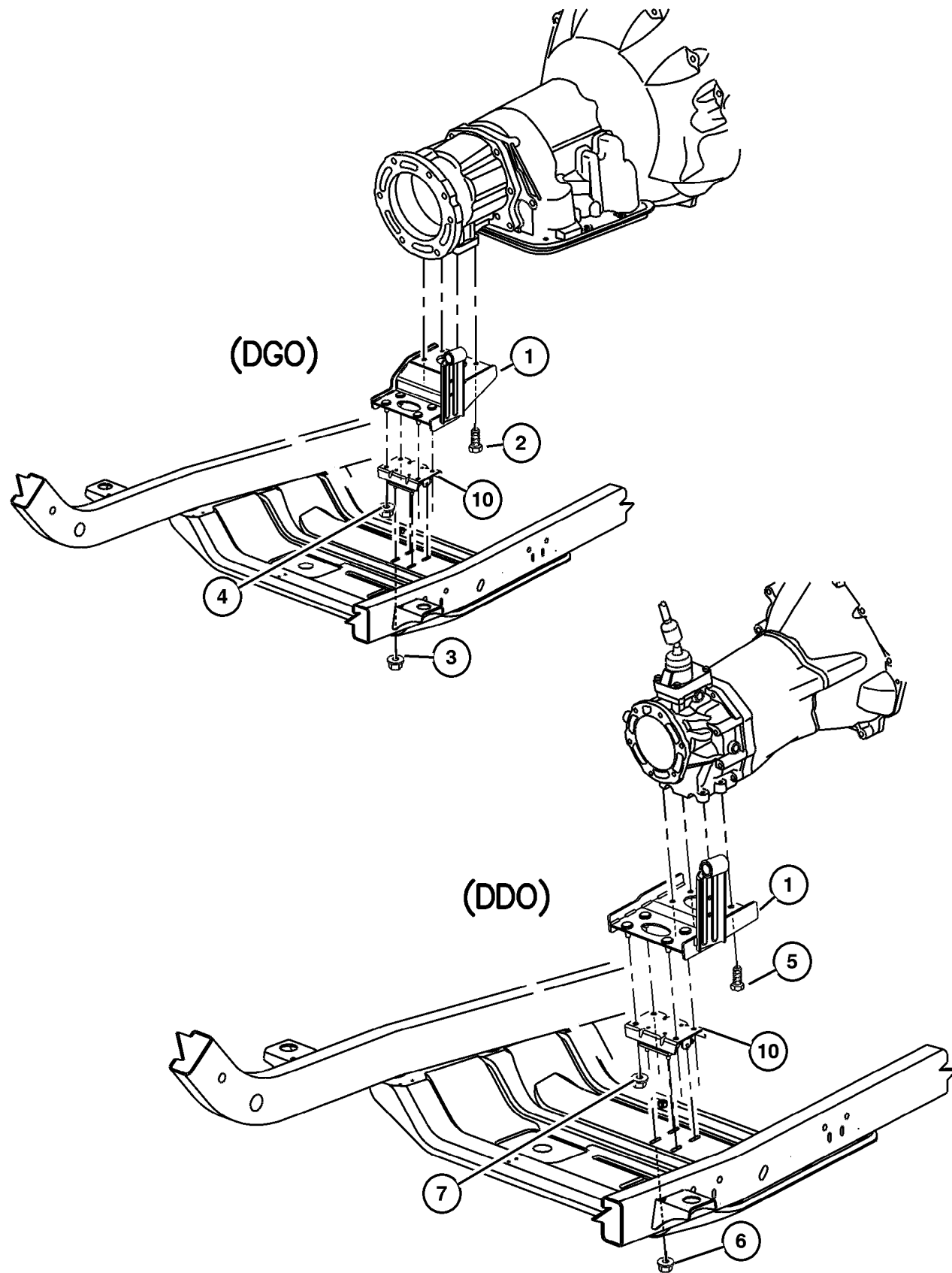
1									BRACKET, Transmission Mount
	52059 422AB	1				ED1	DG0		
	52059 502AB	1				ER0	DG0		
	52059 504AB	1				ED0	DD0		
	52059 509AB	1				ER0	DD0		
2									SCREW, [.437-14x1.12 06035982AA], (NOT SERVICED) (Not Serviced)
3	6100 517	4							NUT, Hex Flange Lock
4	6502 337	4							NUT, M10x1.5
5									SCREW, [.437-14x1.12 06035982AA], (NOT SERVICED) (Not Serviced)
6	6100 517	4							NUT, Hex Flange Lock
7	6502 337	4							NUT, M10x1.5
-8	52058 551AB	1							MOUNT, Transmission
-9									BUSHING, Exhaust Hanger
	5208 5085	1				ED0	DD0		
		1				ER0	DD0		
		1				ER0	DG0		
		1				ED1	DG0		
10	52058 551AB	1							MOUNT, Transmission

**JEEP WRANGLER (TJ)**

SERIES	LINE	BODY	ENGINE	TRANSMISSION
H = Sport	J = Wrangler 4WD	77 = 93.4 WB	ED1, ED0 = 2.4L DOHC	DGG, DGD = 32RH 3 Spd. Auto.
L = SE	U = Wrangler 4WD (RHD)		ERH = 4.0L Power Tech	DDD = 5 Speed HD Manual
M = X				DG0 = Auto. Trans.
P = Sahara				DBB = Manual Trans.
S = Rubicon				DDK = 5 Speed Manual

AR = Use as required - = Non illustrated part # = New this model year

January 6, 2004





# Group – 2.4L

## Engine 2.4L Four Cylinder

### GROUP 2.4L - Engine 2.4L Four Cylinder

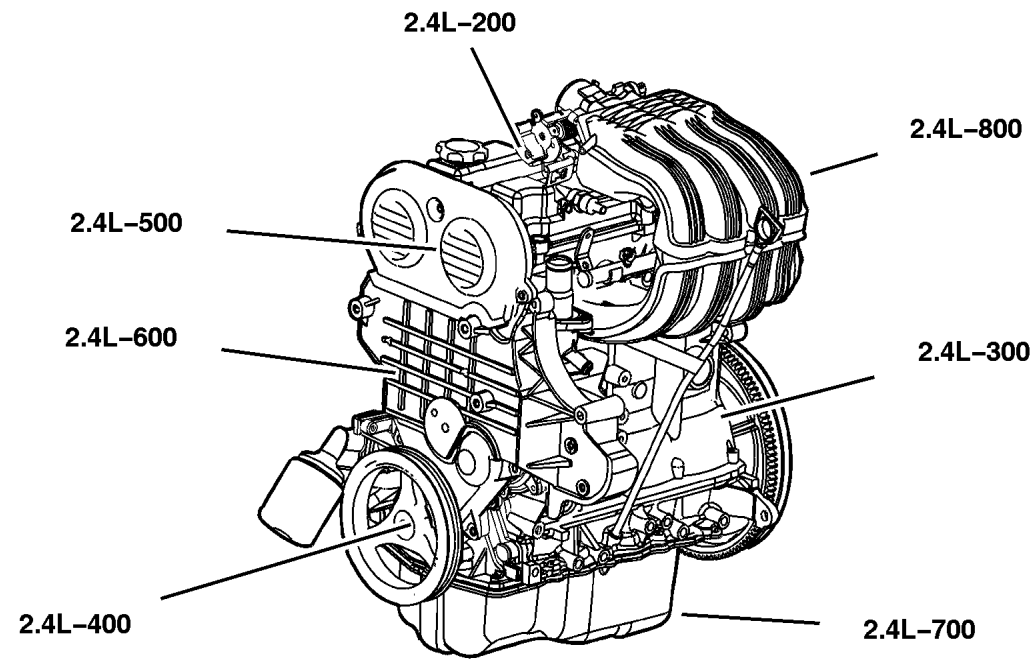


Illustration Title

Group-Fig. No.

#### Cylinder Head

Cylinder Head, 2.4L [ED1] ..... Fig. 2.4L-210

#### Cylinder Block

Cylinder Block, 2.4L [ED1] ..... Fig. 2.4L-310

#### Crankshaft, Piston, and Drive Plate

Crankshaft, Pistons and Flywheel, 2.4L [ED1] ..... Fig. 2.4L-410

#### Camshafts and Valves

Camshaft and Valves 2.4L [ED1] ..... Fig. 2.4L-510

#### Timing Belt and Cover

Timing Belt and Cover, 2.4L [ED1] ..... Fig. 2.4L-610

Balance Shafts, 2.4L [ED1] ..... Fig. 2.4L-620

#### Engine Oiling

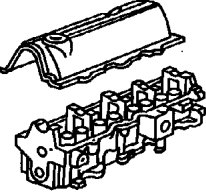
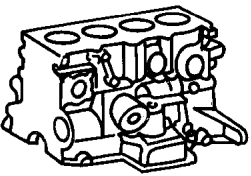
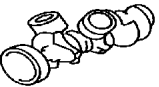
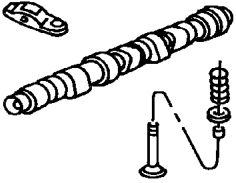
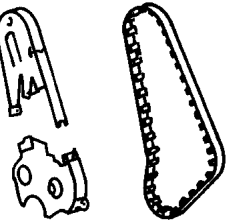
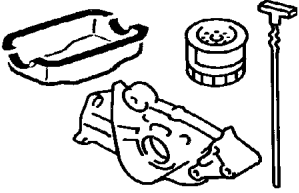
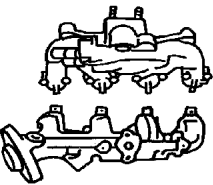
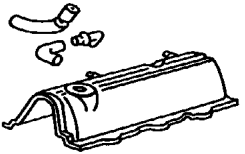
Engine Oiling, 2.4L [ED1] ..... Fig. 2.4L-710

#### Manifolds

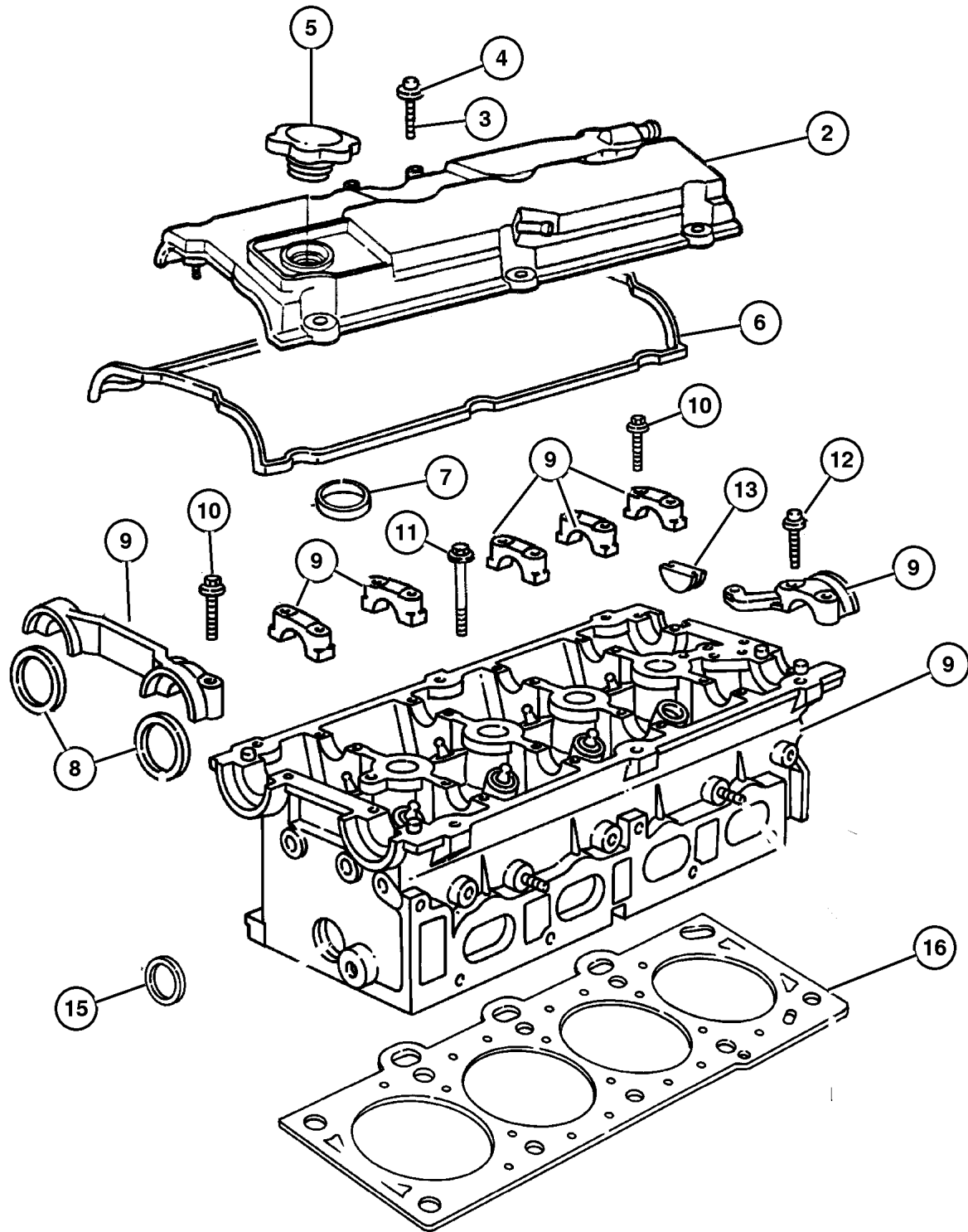
Intake and Exhaust Manifolds, 2.4L [ED1] ..... Fig. 2.4L-810

#### Crankcase Ventilation

Crankcase Ventilation 2.4L [ED1] ..... Fig. 2.4L-910

<p><b>2.4L-200</b> Cylinder Head</p> 	<p><b>2.4L-300</b> Cylinder Block</p> 	<p><b>2.4L-400</b> Crankshaft, Piston, and Drive Plate</p> 	<p><b>2.4L-500</b> Camshafts and Valves</p> 
<p><b>2.4L-600</b> Timing Belt and Cover</p> 	<p><b>2.4L-700</b> Engine Oiling</p> 	<p><b>2.4L-800</b> Manifolds</p> 	<p><b>2.4L-900</b> Crankcase Ventilation</p> 

**Cylinder Head, 2.4L [ED1]  
Figure 2.4L-210**



ITEM	PART NUMBER	QTY	LINE	SERIES	BODY	ENGINE	TRANS	TRIM	DESCRIPTION
NOTES:									
SALES CODES:									
[ED1] = 2.4L POWER TECH DOHC I-4									
-1	5072 474AC	1				ED0			GASKET PACKAGE, Engine Upper COVER, Cylinder Head
2	53010 493AD	1				ED0			
3									SCREW, (NOT SERVICED) (Not Serviced)
4	4777 997AA	5				ED0			ISOLATOR, Cylinder Head Cover, Grommet And Bolt
5	4648 831AA	1				ED0			CAP, Oil Filler
6	4777 478	1				ED0			GASKET, Valve Cover
7	4777 477	4				ED0			GASKET, Spark Plug Well
8	4777 086	2				ED0			SEAL, Camshaft, Front
9	#4667 088AG	1				ED0			HEAD, Cylinder
10	6100 918	18				ED0			BOLT, Hex Flange Head, M6x1.00x35
11	6504 033	10				ED0			BOLT, Cylinder Head
12	6101 527	6				ED0			SCREW, Hex Flange Head, M8x1.25x40
13	4667 731	1				ED0			PLUG, Camshaft, Half Round
-14	53010 521AA	1				ED0			PLUG, Camshaft, Round
15	4556 020	2				ED0			PLUG, Core, 1.25 Diameter
16	4884 407AA	1				ED0			GASKET, Cylinder Head

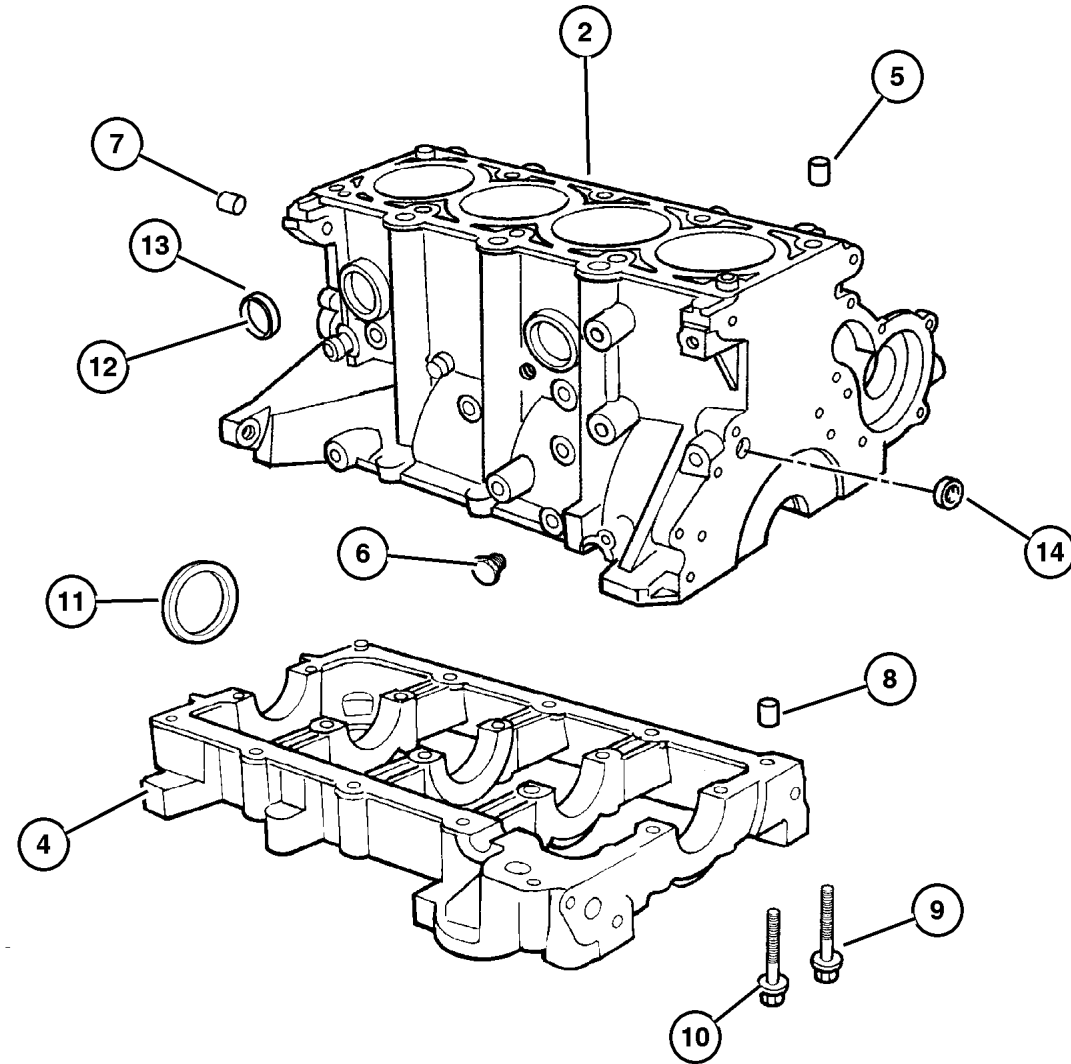
**JEEP WRANGLER (TJ)**

SERIES	LINE	BODY	ENGINE	TRANSMISSION
H = Sport	J = Wrangler 4WD	77 = 93.4 WB	ED1, ED0 = 2.4L DOHC	DGG, DGD = 32RH 3 Spd. Auto.
L = SE	U = Wrangler 4WD (RHD)		ERH = 4.0L Power Tech	DDD = 5 Speed HD Manual
M = X				DG0 = Auto. Trans.
P = Sahara				DBB = Manual Trans.
S = Rubicon				DDK = 5 Speed Manual

AR = Use as required - = Non illustrated part # = New this model year

January 6, 2004

**Cylinder Block, 2.4L [ED1]  
Figure 2.4L-310**



ITEM	PART NUMBER	QTY	LINE	SERIES	BODY	ENGINE	TRANS	TRIM	DESCRIPTION
NOTES:									
SALES CODES:									
[ED1] = 2.4L POWER TECH DOHC I-4									
-1	5072 475AA	1				ED0			GASKET PACKAGE, Engine Lower
2	5134 136AA	1				ED0			BLOCK, Short
-3	6507 155AA	1				ED0			STUD, Double Ended
4									BEDPLATE, Serviced With Short Block Only, (NOT SERVICED) (Not Serviced)
5	4448 856	2				ED0			DOWEL, Block To Cylinder Head
6	6036 543AA	6				ED0			PLUG, Pipe
7	5240 849	2				ED0			DOWEL
8	4694 106	2				ED0			DOWEL, Engine Block To Bedplate
9	6503 387	10				ED0			BOLT, Main Bearing Cap
10	6504 257	9				ED0			BOLT, Hex Head, M8x1.25x70
11	4621 939AB	1				ED0			SEAL, Rear Main Crankshaft
12	4556 020	2				ED0			PLUG, Core, 1.25 Diameter
13	6034 804	4				ED0			PLUG, Core, 1.39 Diameter
14	4556 018AB	1				ED0			PLUG, Cylinder Block Oil Hole
-15	53013 486AA	2				ED0			BRACKET, Engine Lift
-16	6503 096	1				ED0			O RING, Engine Block Heater
-17	4557 686AB	1				ED0			HEATER, Engine Block
-18	56044 160AA	1				ED0			CORD, Engine Block Heater
-19	6034 331	1				ED0			PLUG, Hex Socket, 3/8-18NPTx.475, Block Water Drain

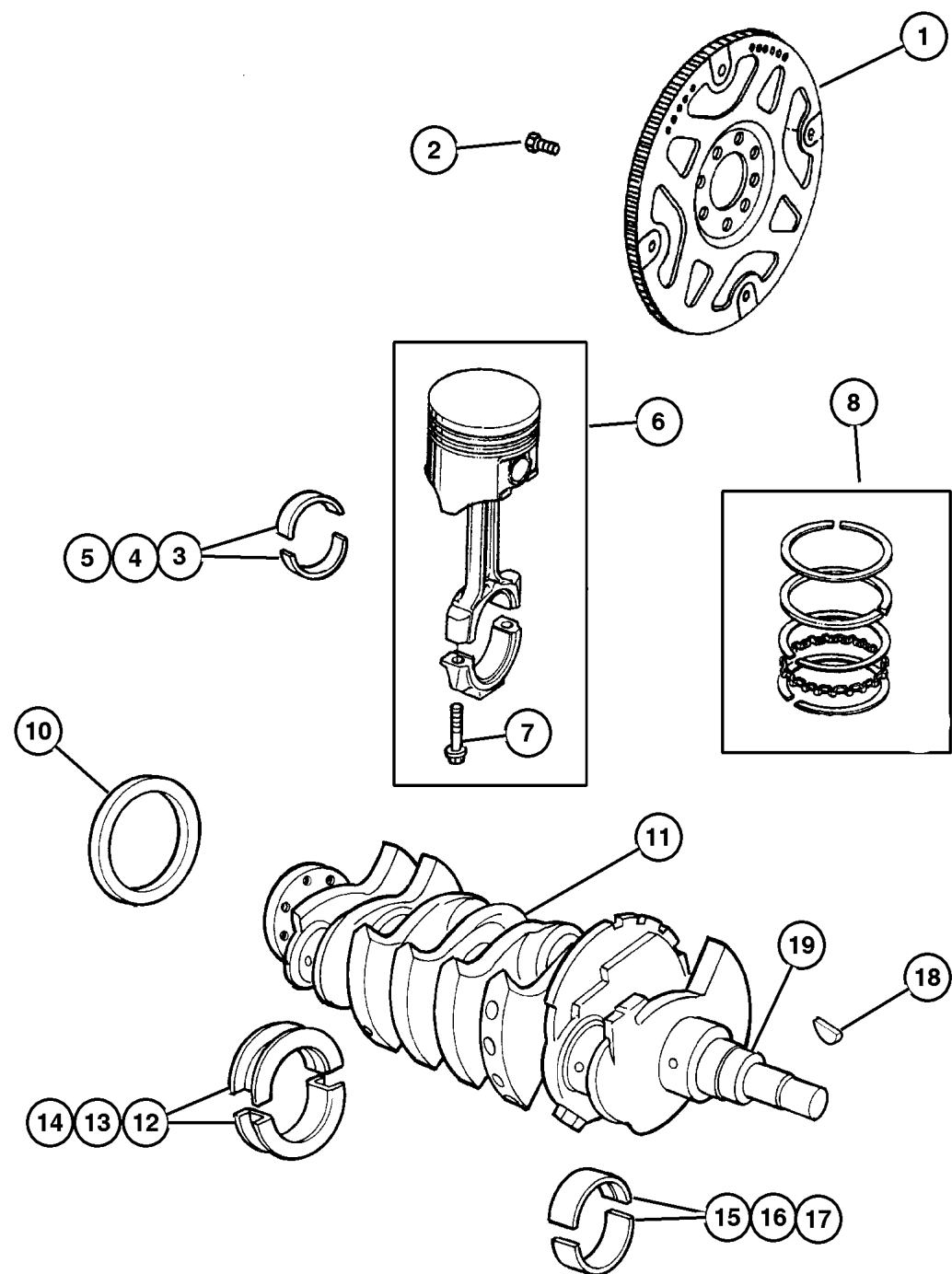
**JEEP WRANGLER (TJ)**

SERIES	LINE	BODY	ENGINE	TRANSMISSION
H = Sport	J = Wrangler 4WD	77 = 93.4 WB	ED1, ED0 = 2.4L DOHC	DGG, DGD = 32RH 3 Spd. Auto.
L = SE	U = Wrangler 4WD (RHD)		ERH = 4.0L Power Tech	DDD = 5 Speed HD Manual
M = X				DG0 = Auto. Trans.
P = Sahara				DBB = Manual Trans.
S = Rubicon				DDK = 5 Speed Manual

AR = Use as required - = Non illustrated part # = New this model year

January 6, 2004

## Crankshaft, Pistons and Flywheel, 2.4L [ED1] Figure 2.4L-410



ITEM	PART NUMBER	QTY	LINE	SERIES	BODY	ENGINE	TRANS	TRIM	DESCRIPTION
NOTES:									
SALES CODES:									
[ED1] = 2.4L POWER TECH DOHC I-4									
1	52104 578AB	1				ED0	DBB		FLYWHEEL
2	6507 240AA	8				ED0	DBB		SCREW
3	5012 588AA	AR				ED0			BEARING KIT, Connecting Rod, Standard
4	5012 589AA	AR				ED0			BEARING KIT, Connecting Rod, .025 mm U/S
5	5012 590AA	AR				ED0			BEARING KIT, Connecting Rod, .25 mm U/S
6	5066 565AB	4				ED0			PISTON PIN AND ROD
7	6503 116	8				ED0			BOLT, Connecting Rod
8	5073 524AA	1				ED0			PISTON RING SET, COMPLETE ENGINE, STD.
-9	5073 524AA	1				ED0			PISTON RING SET, COMPLETE ENGINE, STD.
10	4621 939AB	1				ED0			SEAL, Rear Main Crankshaft
11	4621 917	1				ED0			CRANKSHAFT
12	5012 585AB	1				ED0			BEARING KIT, Crankshaft Thrust, Std
13	5012 586AB	2				ED0			BEARING KIT, Crankshaft Thrust, .025mm Undersize
14	5012 587AB	2				ED0			BEARING KIT, Crankshaft Thrust, .25mm Undersize
15	5012 582AA	8				ED0			BEARING KIT, Crankshaft, Standard
16	5012 583AA	4				ED0			BEARING KIT, Crankshaft, .025mm Undersize
17	5012 584AA	4				ED0			BEARING KIT, Crankshaft, .25mm Undersize
18	6035 473	1				ED0			KEY, Crankshaft Sprocket
19	52104 337AA	1				ED0	DBB		BEARING, Pilot

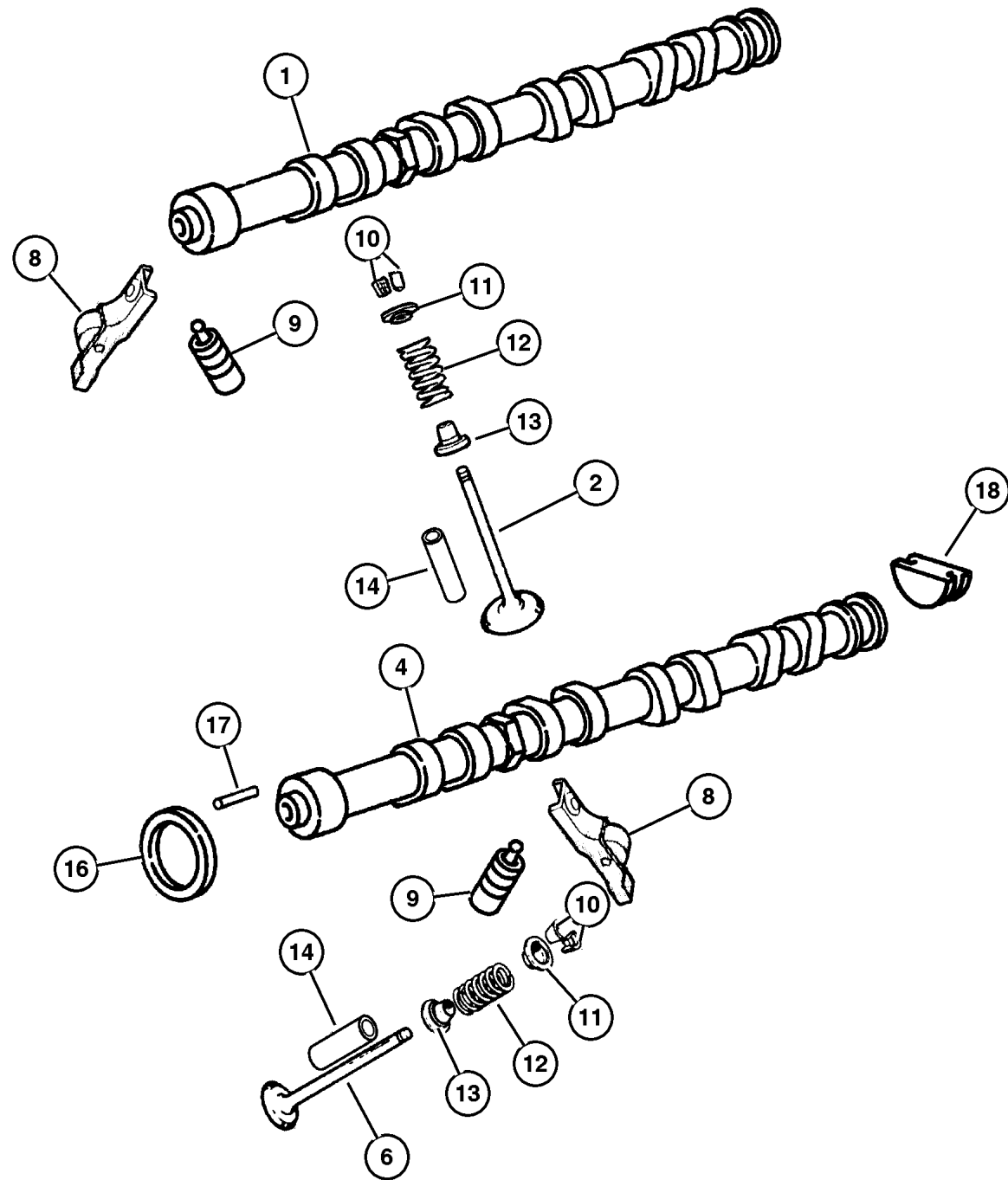
### JEEP WRANGLER (TJ)

SERIES	LINE	BODY	ENGINE	TRANSMISSION
H = Sport	J = Wrangler 4WD	77 = 93.4 WB	ED1, ED0 = 2.4L DOHC	DGG, DGD = 32RH 3 Spd. Auto.
L = SE	U = Wrangler 4WD (RHD)		ERH = 4.0L Power Tech	DDD = 5 Speed HD Manual
M = X				DG0 = Auto. Trans.
P = Sahara				DBB = Manual Trans.
S = Rubicon				DDK = 5 Speed Manual

AR = Use as required - = Non illustrated part # = New this model year

January 6, 2004

**Camshaft and Valves 2.4L [ED1]  
Figure 2.4L-510**



ITEM	PART NUMBER	QTY	LINE	SERIES	BODY	ENGINE	TRANS	TRIM	DESCRIPTION
NOTES:									
SALES CODES:									
[ED1] = 2.4L POWER TECH DOHC I-4									
1	4781 681AA	1				ED0			CAMSHAFT, Intake
2	4667 969AB	8				ED0			VALVE, Intake, Standard
-3	4667 970AB	8				ED0			VALVE, Intake, .015" O/S
4	4781 679AA	1				ED0			CAMSHAFT, Exhaust
-5	53010 549AA	1				ED0			RING, Tone
6	4777 898AA	8				ED0			VALVE, Exhaust, Standard
-7	4777 899AA	8				ED0			VALVE, Exhaust, .015" O/S
8	4884 042AA	16				ED0			ROCKER ARM, Valve Roller
9	4777 976AA	16				ED0			ADJUSTER, Valve Lash
10	53010 515AA	24				ER0			LOCK, Valve Spring Retainer
11	4648 682AB	16				ED0			RETAINER, Valve Spring
12	4648 907AA	16				ED0			SPRING, Valve
13	4648 619	16				ED0			SEAL, Valve Guide
14									GUIDE, Intake/Exhaust Valve, Standard Size, (NOT SERVICED) (Not Serviced)
-15	4667 411	1				ED0			GUIDE, Intake/Exhaust Valve, 7mm Oversize
16	4777 086	2				ED0			SEAL, Camshaft
17									PIN, Dowel Exhaust Cam
	6100 997	1				ED0			
	5203 466	2				ED0			
18	4667 731	1				ED0			PLUG, Camshaft

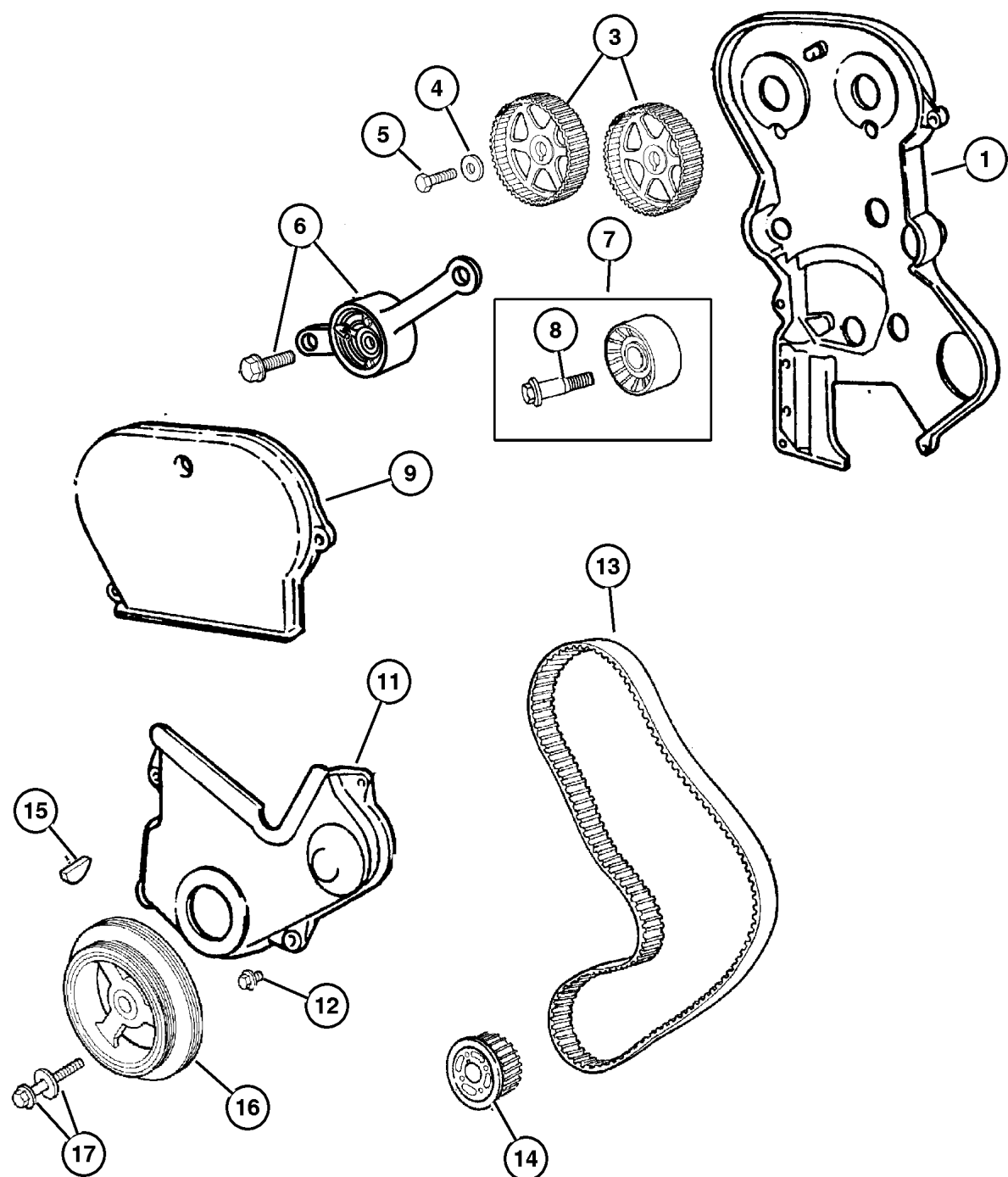
**JEEP WRANGLER (TJ)**

SERIES	LINE	BODY	ENGINE	TRANSMISSION
H = Sport	J = Wrangler 4WD	77 = 93.4 WB	ED1, ED0 = 2.4L DOHC	DGG, DGD = 32RH 3 Spd. Auto.
L = SE	U = Wrangler 4WD (RHD)		ERH = 4.0L Power Tech	DDD = 5 Speed HD Manual
M = X				DG0 = Auto. Trans.
P = Sahara				DBB = Manual Trans.
S = Rubicon				DDK = 5 Speed Manual

AR = Use as required - = Non illustrated part # = New this model year

January 6, 2004

## Timing Belt and Cover, 2.4L [ED1] Figure 2.4L-610



ITEM	PART NUMBER	QTY	LINE	SERIES	BODY	ENGINE	TRANS	TRIM	DESCRIPTION
------	-------------	-----	------	--------	------	--------	-------	------	-------------

**NOTES:**

**SALES CODES:**

[ED1] = 2.4L POWER TECH DOHC I-4

1	53010 482AC	1				ED0			COVER, Timing Belt
-2	6502 926	3				ED0			BOLT, Hex Flange Head, M6x1.0x20, Inner Cover Attach
3	4667 609	2				ED0			GEAR, Camshaft
4	6503 438	2				ED0			WASHER, Flared, 13x35.00x4.70
5	6501 405	2				ED0			BOLT, Hex Head, M12x1.50x52
6	4781 570AB	1				ED0			TENSIONER, Belt
7	4781 569AB	1				ED0			PULLEY, Idler
8	6507 550AA	1				ED0			BOLT
9	53010 483AB	1				ED0			COVER, Timing Belt, Outer
-10	6101 952	5				ED0			SCREW, Hex Flange Head Tapping, M4.8 x 1.59 x 25.00
11	53010 484AB	1				ED0			COVER, Timing Belt
12	6101 331	1				ED0			BOLT, M6x1.00x20
13	4621 844	1				ED0			BELT, Timing
14	4648 939AA	1				ED0			GEAR, Crankshaft
15	6035 473	1				ED0			KEY, Crankshaft Sprocket
16	53010 477AB	1				ED0			DAMPER, Crankshaft
17	6503 553	1				ED0			BOLT, Hex Flange Head, M12x1.75x87.50

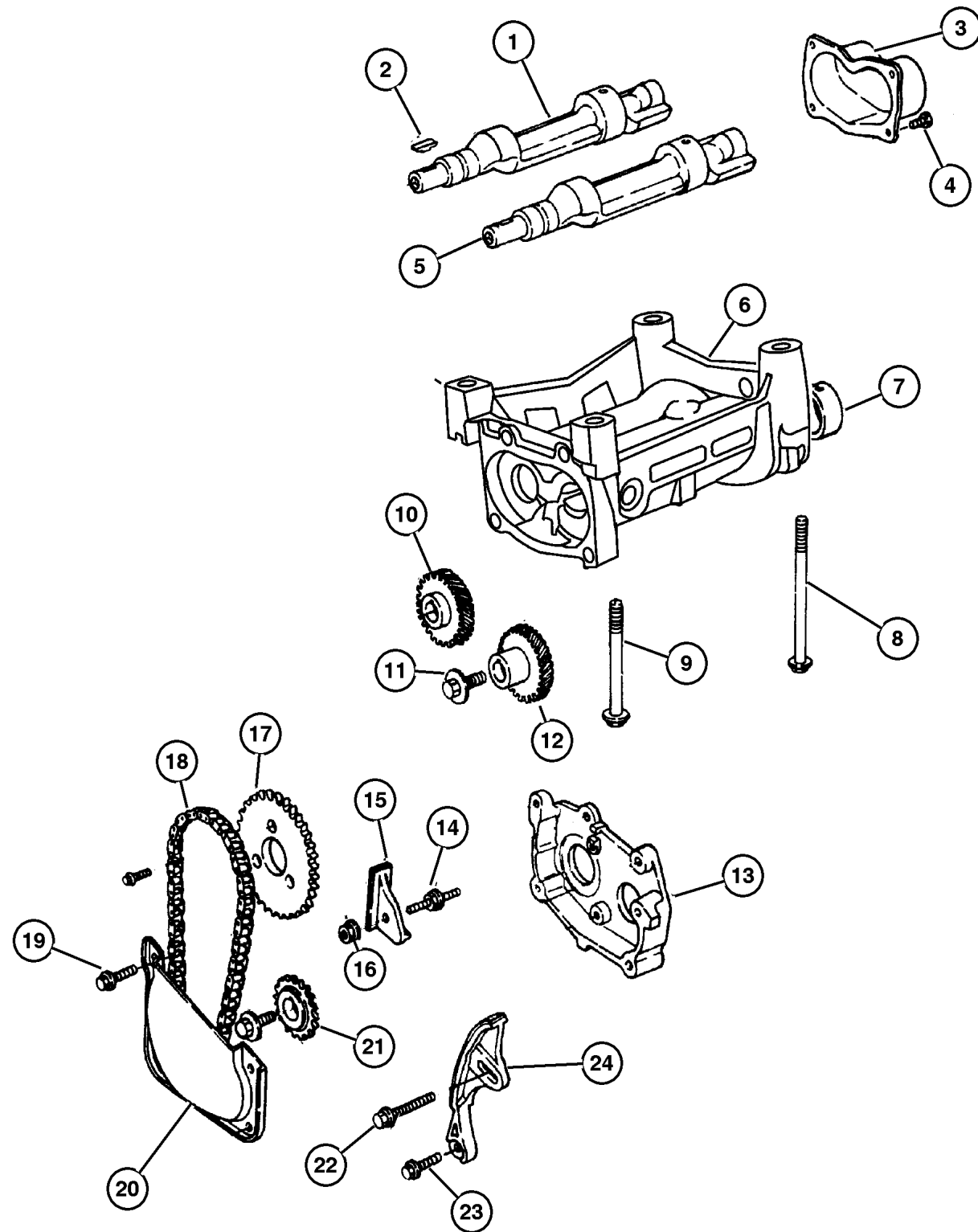
**JEEP WRANGLER (TJ)**

SERIES	LINE	BODY	ENGINE	TRANSMISSION
H = Sport	J = Wrangler 4WD	77 = 93.4 WB	ED1, ED0 = 2.4L DOHC	DGG, DGD = 32RH 3 Spd. Auto.
L = SE	U = Wrangler 4WD (RHD)		ERH = 4.0L Power Tech	DDD = 5 Speed HD Manual
M = X				DG0 = Auto. Trans.
P = Sahara				DBB = Manual Trans.
S = Rubicon				DDK = 5 Speed Manual

AR = Use as required - = Non illustrated part # = New this model year

January 6, 2004

**Balance Shafts, 2.4L [ED1]  
Figure 2.4L-620**



ITEM	PART NUMBER	QTY	LINE	SERIES	BODY	ENGINE	TRANS	TRIM	DESCRIPTION
<b>NOTES:</b>									
<b>SALES CODES:</b>									
[ED1] = 2.4L POWER TECH DOHC I-4									
1	4621 517	1				ED0			SHAFT, Balance, Driver
2	6500 150	2				ED0			KEY, Crankshaft Sprocket
3	4323 043	1				ED0			COVER, Balance Shaft Carrier
4	6101 452	4				ED0			SCREW AND WASHER, Hex Head, M8x1.25x20
5	4621 518	1				ED0			SHAFT, Balance, Driven
6	4621 519AC	1				ED0			CARRIER, Balance Shaft
7									BEARING, Balance Shaft, Seviced With Carrier, Item 6, (NOT SERVICED) (Not Serviced)
8	6504 878AA	2				ED0			BOLT
9	6503 389	2				ED0			BOLT, Hex Flange Head, M10x1.50x108
10	4621 952	1				ED0			GEAR, Balance Shaft Driver
11	6501 404	2				ED0			SCREW AND WASHER, Hex Head, M8x1.25x25
12	4621 951	1				ED0			GEAR, Balance Shaft Driven
13	4323 039	1				ED0			COVER, Balance Shaft Gear
14	6505 188AA	1				ED0			STUD, M6x1.00x40.00
15	4884 472AA	1				ED0			GUIDE, Balance Shaft Chain
16	6100 047	1				ED0			NUT AND WASHER, Hex Nut-Coned Washer, M6 x 1.00
17	4621 541	1				ED0			GEAR, Crankshaft
18	4621 996	1				ED0			CHAIN, Balance Shaft
19	6100 271	2				ED0			BOLT AND CONED WASHER, Hex Head, M6x45x12.5
20	4323 041AD	1				ED0			TROUGH, Carrier Cover
21	4483 485	1				ED0			GEAR, Balance Shaft
22	6100 279	1				ED0			SCREW AND WASHER, Hex Head, M6x1x35
23	#6508 008AA	1				ED0			SCREW, Hex Flange Head, [M6x1.0x16.0]
24	4884 473AA	1				ED0			TENSIONER, Chain

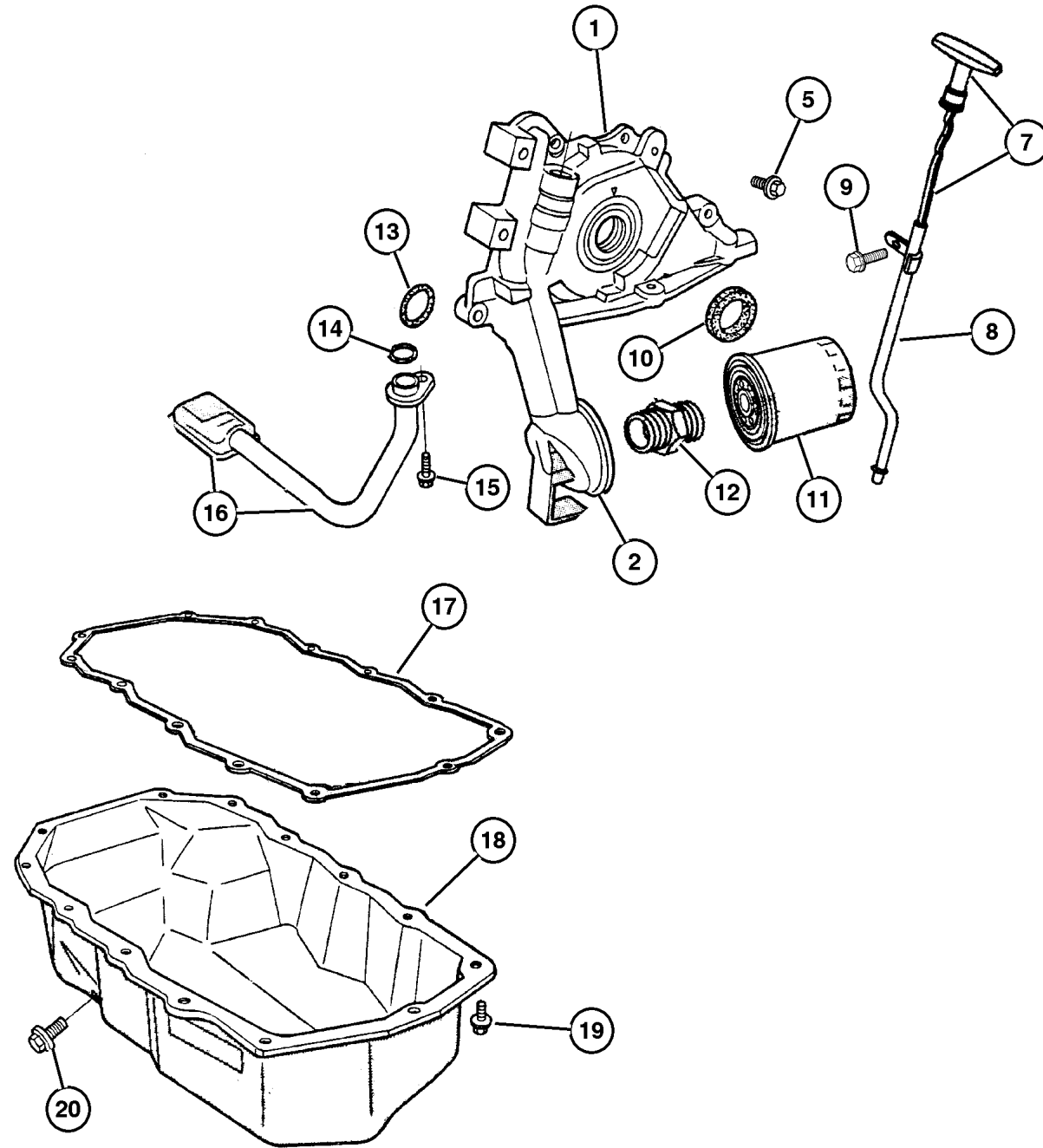
**JEEP WRANGLER (TJ)**

<b>SERIES</b>	<b>LINE</b>	<b>BODY</b>	<b>ENGINE</b>	<b>TRANSMISSION</b>
H = Sport	J = Wrangler 4WD	77 = 93.4 WB	ED1, ED0 = 2.4L DOHC	DGG, DGD = 32RH 3 Spd. Auto.
L = SE	U = Wrangler 4WD (RHD)		ERH = 4.0L Power Tech	DDD = 5 Speed HD Manual
M = X				DG0 = Auto. Trans.
P = Sahara				DBB = Manual Trans.
S = Rubicon				DDK = 5 Speed Manual

AR = Use as required - = Non illustrated part # = New this model year

January 6, 2004

**Engine Oiling, 2.4L [ED1]  
Figure 2.4L-710**



ITEM	PART NUMBER	QTY	LINE	SERIES	BODY	ENGINE	TRANS	TRIM	DESCRIPTION
------	-------------	-----	------	--------	------	--------	-------	------	-------------

NOTES:

SALES CODES:

[ED1] = 2.4L POWER TECH DOHC I-4

1	53010 487AA	1				ED0			PUMP, Engine Oil
2	53010 507AA	1				ED0			ADAPTER, Oil Filter
-3									GUARD, Splash, (NOT REQUIRED)
-4									NUT, (NOT REQUIRED)
5	6100 296	3				ED0			BOLT, Hex Head
-6	6503 257	4				ED0			BOLT, Hex Head, M8x1.25x37.50, Oil Pump And Timing Cover To Block
7	53010 494AC	1				ED0			INDICATOR, Engine Oil Level
8	53010 476AB	1				ED0			TUBE, Oil Filler
9	6505 788AA	1				ED0			STUD
10	4667 198	1				ED0			SEAL, Front Main Crankshaft
11	4105 409	1				ED0			FILTER, Engine Oil
12	4694 119	1				ED0			CONNECTOR, Oil Filter Adapter
13	4483 444AB	3				ED0			O RING, Front Cover Oil Inlet
14	6032 920	1				ED0			SEAL, Oil Pick Up Tube
15	6500 070	1				ED0			SCREW AND WASHER, Hex Head, M8x1.25x25
16	53010 488AA	1				ED0			TUBE, Oil Pickup
17	4621 579	1				ED0			GASKET, Oil Pan
18	53010 491AA	1				ED0			PAN, Engine Oil
19	6503 969	11				ED0			BOLT, Hex Flange Head, M6x1. 00x17
20	6035 417	1				ED0			PLUG, Oil Drain

JEEP WRANGLER (TJ)

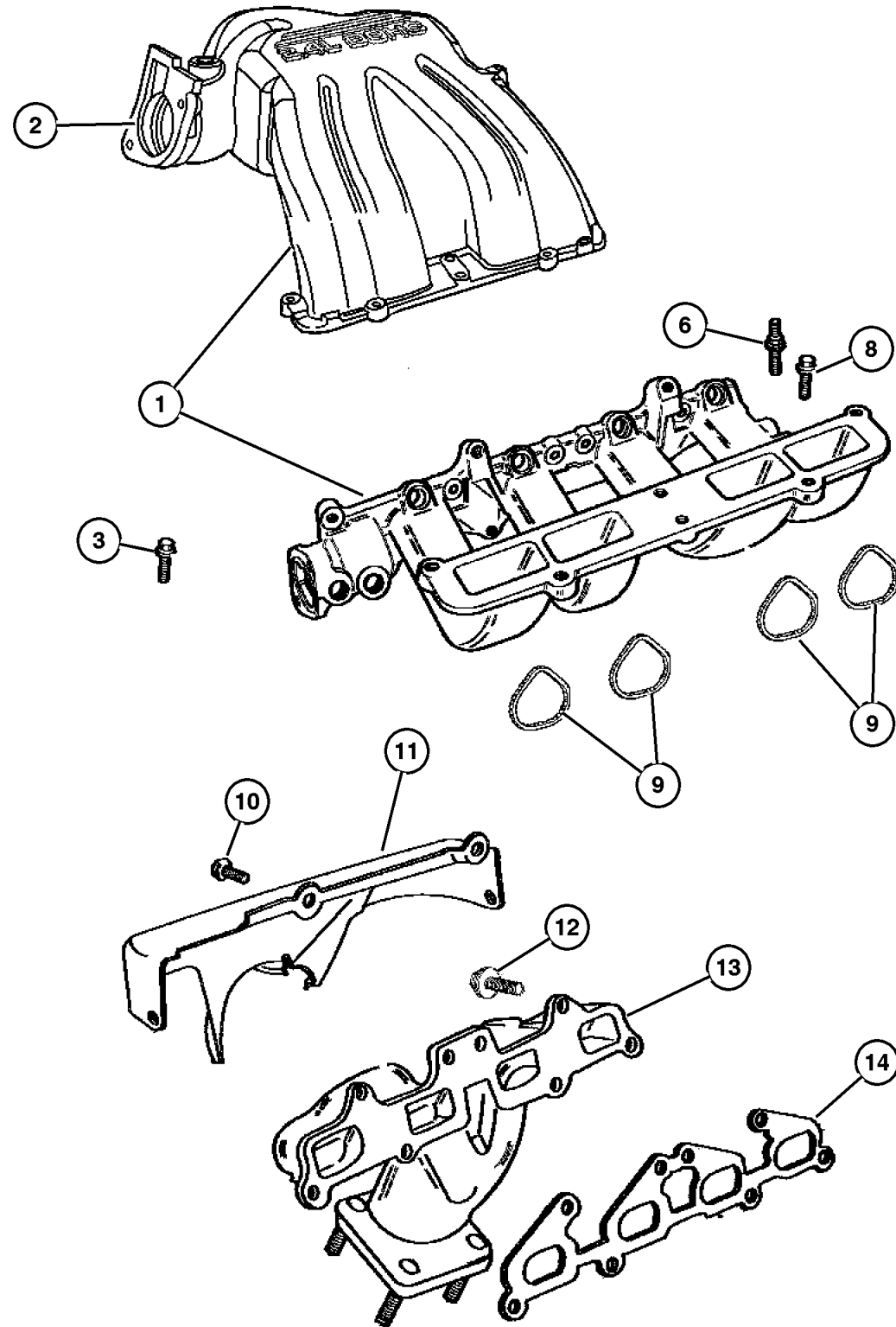
SERIES	LINE	BODY	ENGINE	TRANSMISSION
H = Sport	J = Wrangler 4WD	77 = 93.4 WB	ED1, ED0 = 2.4L DOHC	DGG, DGD = 32RH 3 Spd. Auto.
L = SE	U = Wrangler 4WD (RHD)		ERH = 4.0L Power Tech	DDD = 5 Speed HD Manual
M = X				DG0 = Auto. Trans.
P = Sahara				DBB = Manual Trans.
S = Rubicon				DDK = 5 Speed Manual

AR = Use as required - = Non illustrated part # = New this model year

January 6, 2004



**Intake and Exhaust Manifolds, 2.4L [ED1]  
Figure 2.4L-810**



ITEM	PART NUMBER	QTY	LINE	SERIES	BODY	ENGINE	TRANS	TRIM	DESCRIPTION
NOTES:									
SALES CODES:									
[ED1] = 2.4L POWER TECH DOHC I-4									
1	#53013 664AA	1				ED0			MANIFOLD, Intake
2	53013 533AA	1				ED0			GASKET, Throttle Body To Intake
3	6101 451	3				ED0			SCREW AND WASHER, Hex Head, M6x1x25
-4	6102 192AA	1				ED0			SCREW, Intake Manifold
-5	6101 506	2				ED0			BOLT AND CONED WASHER, M8x1.25x18
6	6504 171	3				ED0			SCREW, Hex Flange Head, M8x1.25x32
-7	6101 452	2				ED0			SCREW AND WASHER, Hex Head, M8x1.25x20
8	6506 770AA	5				ED0			SCREW
9	53013 534AA	4				ED0			GASKET, Intake Manifold
10	6506 663AA	3				ED0			SCREW, Hex Flange Head, M8x1.25x11, Heat Shield Mounting
11	53013 264AA	1				ED0			SHIELD, Exhaust Manifold
12	6503 131	10				ED0			BOLT, Hex Flange Head, M8x1.25x30
13	53013 263AB	1				ED0			MANIFOLD, Exhaust
14	4781 255AA	1				ED0			GASKET, Exhaust Manifold

**JEEP WRANGLER (TJ)**

SERIES	LINE	BODY	ENGINE	TRANSMISSION
H = Sport	J = Wrangler 4WD	77 = 93.4 WB	ED1, ED0 = 2.4L DOHC	DGG, DGD = 32RH 3 Spd. Auto.
L = SE	U = Wrangler 4WD (RHD)		ERH = 4.0L Power Tech	DDD = 5 Speed HD Manual
M = X				DG0 = Auto. Trans.
P = Sahara				DBB = Manual Trans.
S = Rubicon				DDK = 5 Speed Manual

AR = Use as required - = Non illustrated part # = New this model year

January 6, 2004

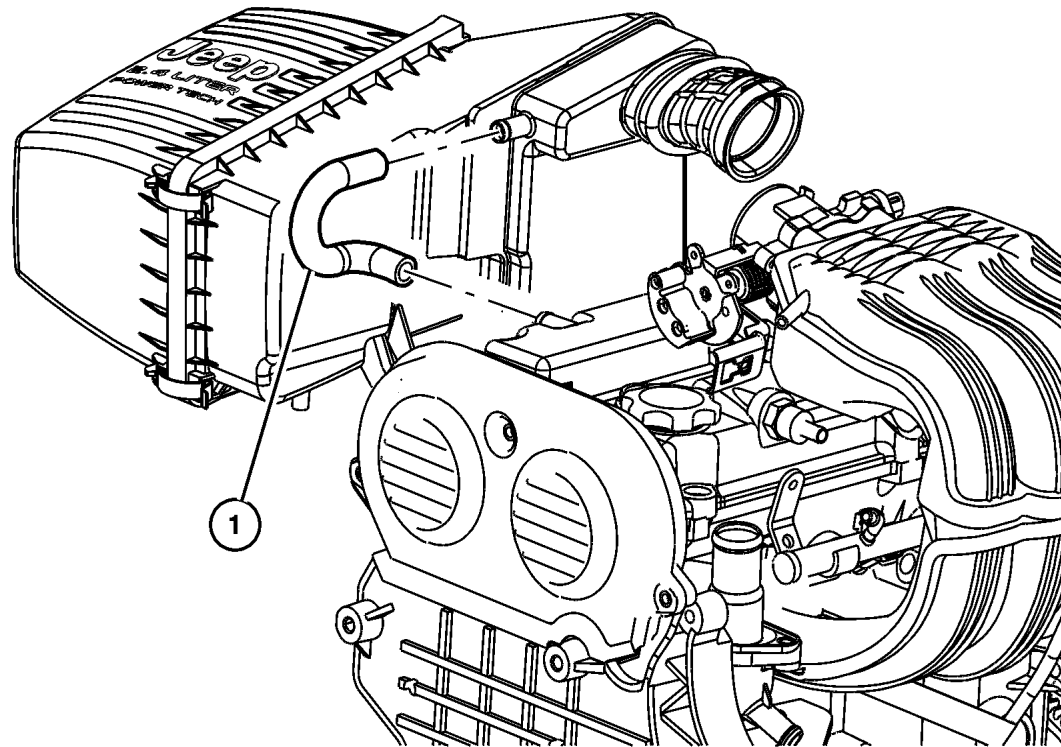
**Crankcase Ventilation 2.4L [ED1]  
Figure 2.4L-910**

ITEM	PART NUMBER	QTY	LINE	SERIES	BODY	ENGINE	TRANS	TRIM	DESCRIPTION
------	-------------	-----	------	--------	------	--------	-------	------	-------------

Note; Sales Codes

[ED1]= 2.4L, 4 Cylinder Gas Engines

1	53013 093AA	1				ED0			TUBE, Crankcase Vent To Air Cleaner
-2	4777 240AD	1				ED0			VALVE, PCV
-3	53013 231AA	1				ED0			HARNES, CCV to Intake Manifold



**JEEP WRANGLER (TJ)**

SERIES	LINE	BODY	ENGINE	TRANSMISSION
H = Sport	J = Wrangler 4WD	77 = 93.4 WB	ED1, ED0 = 2.4L DOHC	DGG, DGD = 32RH 3 Spd. Auto.
L = SE	U = Wrangler 4WD (RHD)		ERH = 4.0L Power Tech	DDD = 5 Speed HD Manual
M = X				DG0 = Auto. Trans.
P = Sahara				DBB = Manual Trans.
S = Rubicon				DDK = 5 Speed Manual

AR = Use as required - = Non illustrated part # = New this model year

January 6, 2004

# Group – 4.0L

## Engine 4.0L Six Cylinder

### GROUP 4.0L - Engine 4.0L Six Cylinder

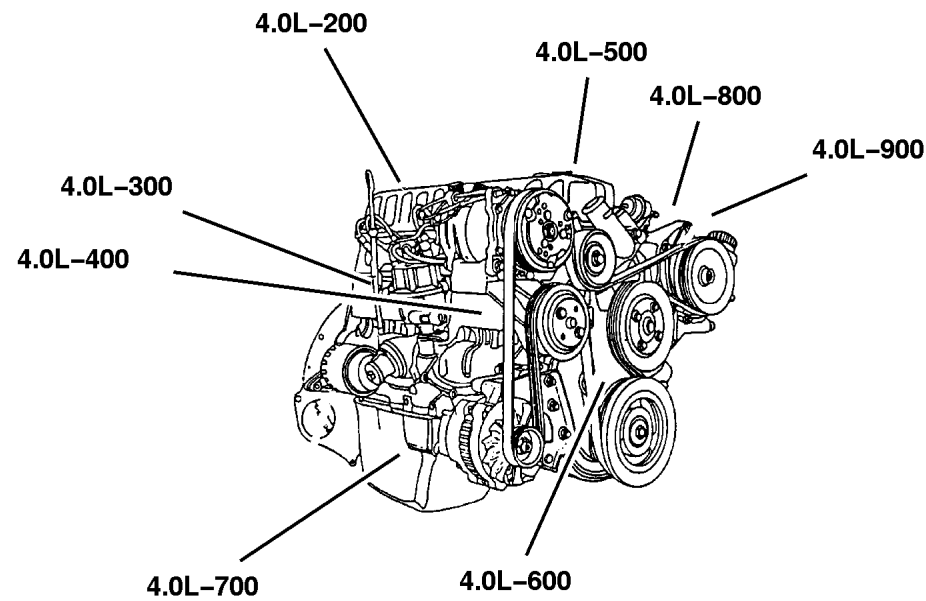


Illustration Title

Group-Fig. No.

#### Cylinder Head

Cylinder Head, 4.0L (ERH) ..... Fig. 4.0L-210

#### Cylinder Block

Cylinder Block, 4.0L (ERH) ..... Fig. 4.0L-310

#### Crankshaft, Piston and Torque Converter

Crankshaft, Piston and Torque Converter, 4.0L (ERH) ..... Fig. 4.0L-410

#### Camshafts & Valves

Camshaft and Valves, 4.0L (ERH) ..... Fig. 4.0L-510

#### Timing Belt and Cover

Timing Cover, 4.0L (ERH) ..... Fig. 4.0L-610

#### Engine Oiling

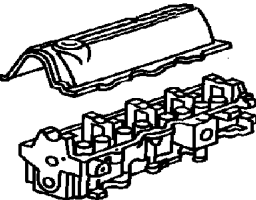
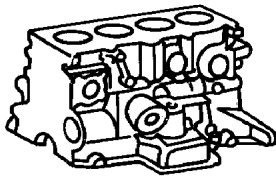
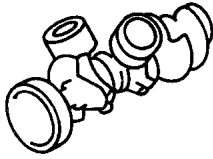
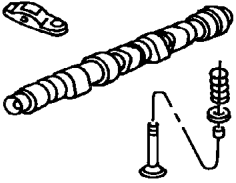
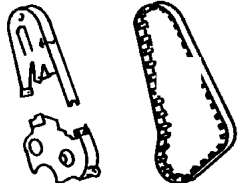
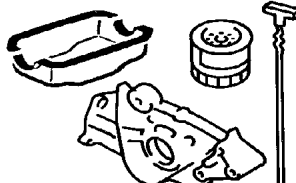
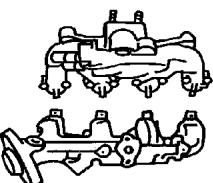
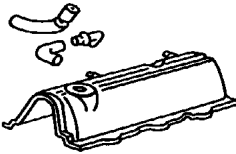
Engine Oiling, 4.0L (ERH) ..... Fig. 4.0L-710

#### Manifolds

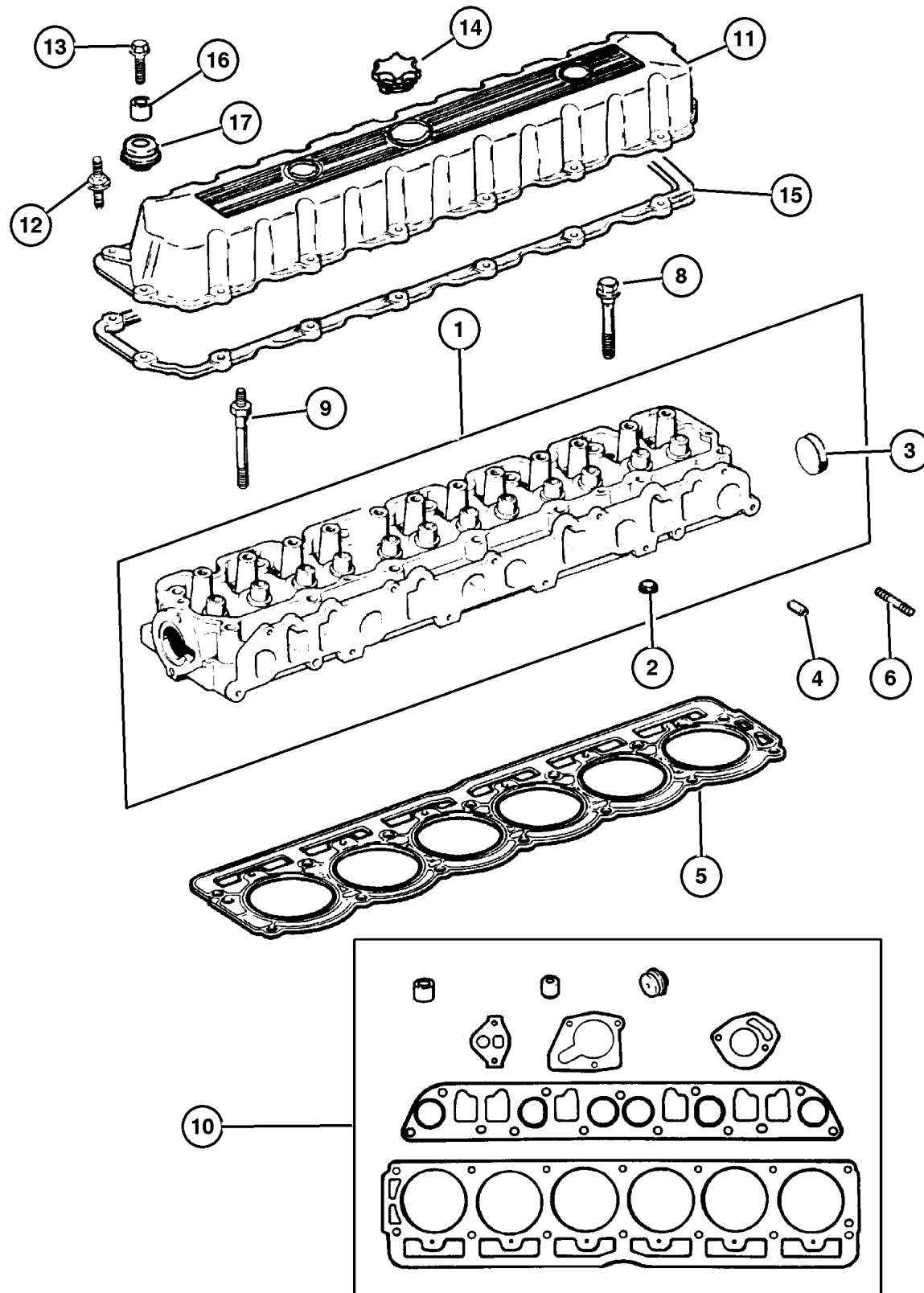
Manifold, Intake and Exhaust ..... Fig. 4.0L-810

#### Crankcase Ventilation

Crankcase Ventilation, 4.0L [ER0] ..... Fig. 4.0L-910

<p><b>4.0L-200</b> Cylinder Head</p> 	<p><b>4.0L-300</b> Cylinder Block</p> 	<p><b>4.0L-400</b> Crankshaft, Piston and Torque Converter</p> 	<p><b>4.0L-500</b> Camshafts &amp; Valves</p> 
<p><b>4.0L-600</b> Timing Belt and Cover</p> 	<p><b>4.0L-700</b> Engine Oiling</p> 	<p><b>4.0L-800</b> Manifolds</p> 	<p><b>4.0L-900</b> Crankcase Ventilation</p> 

**Cylinder Head, 4.0L (ERH)  
Figure 4.0L-210**



**NOTE:**

**SALES CODES:**

[ER0] = All 4.0L 6 Cylinder Gas Engines

[DBB] = All Manual Transmissions

[DG0] = All Automatic Transmissions

ITEM	PART NUMBER	QTY	LINE	SERIES	BODY	ENGINE	TRANS	TRIM	DESCRIPTION
1	5301 0334	1				ER0			HEAD, Cylinder
2	J400 7434	4				ER0			PLUG, Cylinder Block Oil Hole
3	J310 5394	1				ER0			PLUG, Cylinder Block Oil Hole
4	J317 2318	2				ER0			DOWEL, Cylinder Head To Intake
5	53010 587AA	1				ER0			GASKET, Cylinder Head
6	6036 193AA	2				ER0			STUD, .375-16/.375-24x1.75
7	6036 162AA	1				ER0			STUD, Double Ended, [.500-13/.437-14x6.00]
8									BOLT, Cylinder Head
	6035 514	5				ER0			
	6035 515	2				ER0			
9	6035 516	6				ER0			STUD, Double Ended, .50-13/.437-14x6.00
10	5012 365AC	1				ER0			GASKET PACKAGE, Engine Upper
11	5302 0323	1				ER0			COVER, Cylinder Head
12	6035 968AA	8				ER0			STUD, .250-20x2.00
13	6035 566	7				ER0			BOLT, Hex Flange Head, .250-20x1.00
14	4648 831AA	1				ER0			CAP, Oil Filler
15	53020 758AC	1				ER0			GASKET, Valve Cover
16	53020 598AB	15				ER0			SLEEVE, Torque Limiter
17	5301 0424	15				ER0			GROMMET, Insulator

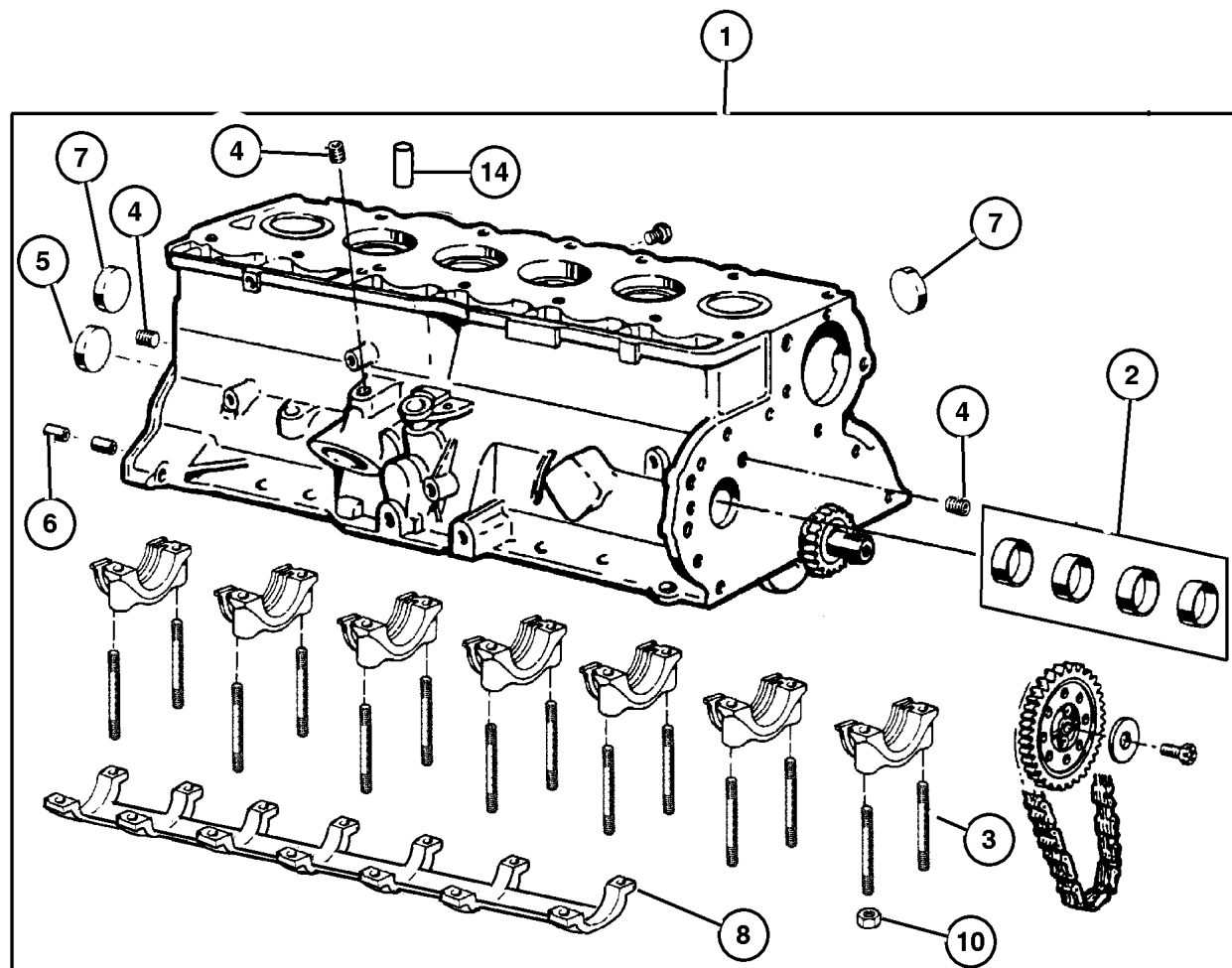
**JEEP WRANGLER (TJ)**

SERIES	LINE	BODY	ENGINE	TRANSMISSION
H = Sport	J = Wrangler 4WD	77 = 93.4 WB	ED1, ED0 = 2.4L DOHC	DGG, DGD = 32RH 3 Spd. Auto.
L = SE	U = Wrangler 4WD (RHD)		ERH = 4.0L Power Tech	DDD = 5 Speed HD Manual
M = X				DG0 = Auto. Trans.
P = Sahara				DBB = Manual Trans.
S = Rubicon				DDK = 5 Speed Manual

AR = Use as required - = Non illustrated part # = New this model year

January 6, 2004

**Cylinder Block, 4.0L (ERH)  
Figure 4.0L-310**



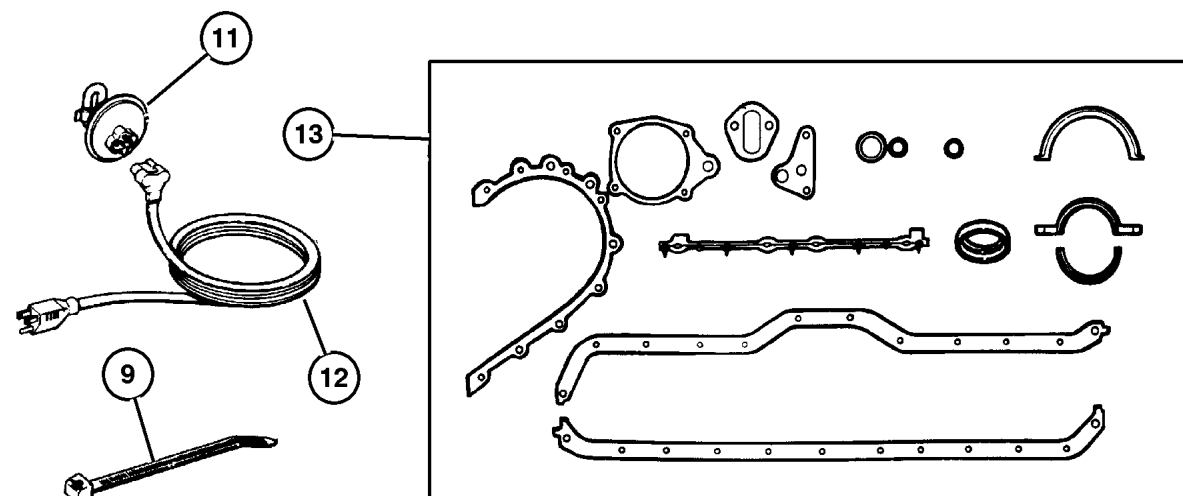
ITEM	PART NUMBER	QTY	LINE	SERIES	BODY	ENGINE	TRANS	TRIM	DESCRIPTION
------	-------------	-----	------	--------	------	--------	-------	------	-------------

NOTE: Short Block contains: Crank, Rods, Pistons, Rings, Cam Bearings, Timing Chain, Sprockets

Sales Codes:

[ER0] = All 4.0L 6 Cylinder Gas Engines

1	5013 161AD	1				ER0			BLOCK, Short, See Note
2	4636 985AC	1				ER0			BEARING PACKAGE, Camshaft, Standard Size
3	6035 207	14				ER0			STUD, .500-13/.375-16x3.97
4	6034 166	3				ER0			PLUG, Cylinder Block Oil Hole
	J420 0413	2				ER0			
5	J317 2313	1				ER0			PLUG, Camshaft
6	J400 5148	2				ER0			DOWEL, Transmission
7	J310 5394	6				ER0			PLUG, Cylinder Block Oil Hole
8	5302 0566	1				ER0			BRACE, Main Bearing Cap
9	5073 039AA	3				ER0			STRAP, Tie
10	0152 474	14				ER0			NUT, Hex Flange Lock, .375-16
11	8220 1506	1				ER0			HEATER PACKAGE, Engine Block
12	5601 6834	1				ER0			CORD, Engine Block Heater
13	5017 432AB	1				ER0			GASKET PACKAGE, Engine Lower
14	0141 215	2				ER0			DOWEL, .312 x .500
-15	5302 0465	1				ER0			PLUG, Cylinder Block, Rubber Style Plug



**JEEP WRANGLER (TJ)**

SERIES	LINE	BODY	ENGINE	TRANSMISSION
H = Sport	J = Wrangler 4WD	77 = 93.4 WB	ED1, ED0 = 2.4L DOHC	DGG, DGD = 32RH 3 Spd. Auto.
L = SE	U = Wrangler 4WD (RHD)		ERH = 4.0L Power Tech	DDD = 5 Speed HD Manual
M = X				DG0 = Auto. Trans.
P = Sahara				DBB = Manual Trans.
S = Rubicon				DDK = 5 Speed Manual

AR = Use as required - = Non illustrated part # = New this model year

January 6, 2004

**Crankshaft, Piston and Torque Converter, 4.0L (ERH)  
Figure 4.0L-410**

ITEM	PART NUMBER	QTY	LINE	SERIES	BODY	ENGINE	TRANS	TRIM	DESCRIPTION
------	-------------	-----	------	--------	------	--------	-------	------	-------------

**NOTE:**

**SALES CODES:**

[ER0] = All 4.0L 6 Cylinder Gas Engines

[DBB] = All Manual Transmissions

[DG0] = All Automatic Transmissions

1	4864 726AD	1				ER0			CRANKSHAFT
2	4621 939AB	1				ED0			SEAL, Rear Main Crankshaft
3	53020 519AB	1				ER0	DBB		FLYWHEEL
4	J317 9741	1				ER0	DBB		GEAR, Ring
5	J317 0524	6				ER0	DBB		BOLT, Flywheel
6	53009 180AB	1				ER0	DBB		BEARING, Pilot, Sleeve and Bearing
7	4736 204AA	1				ER0	DG0		SLEEVE
8	5302 0123	12				ER0			BOLT, Connecting Rod
9	5302 0443	1				ER0			GEAR, Crankshaft
10	33002 920AC	1				ER0			DAMPER, Crankshaft
11	J400 6385	12				ER0			NUT, Hex Flange, .3437-24
12	6034 749	1				ER0			KEY, Crankshaft Sprocket
13	0182 776	1				ER0			BOLT
14	J323 0155	1				ER0			WASHER, Plain
15									SLINGER, Oil, (NOT REQUIRED)
16	83507 079AB	6				ER0			BEARING PACKAGE, Crankshaft, Standard
17	83507 080AB	AR				ER0			BEARING PACKAGE, Crankshaft, .001 Undersize
18	83507 084AB	1				ER0			BEARING PACKAGE, Crankshaft Thrust, Standard Size
19	83507 086AB	AR				ER0			BEARING PACKAGE, Crankshaft Thrust, .001" Undersize
20	83507 081AB	AR				ER0			BEARING PACKAGE, Crankshaft, .002" U/S
21	83500 300AC	12				ER0			BEARING KIT, Connecting Rod, Standard
22	83501 397AC	AR				ER0			BEARING KIT, Connecting Rod, .001 Undersize
23	83500 301AC	AR				ER0			BEARING PACKAGE, Connecting Rod, .010 Undersize
24	6504 383	4				ER0	DG0		BOLT, Hex Head, M10x1.50 x 13.20
25	4752 460AB	1				ER0	DG0		PLATE, Drive Plate
26	J321 4094	1				ER0	DG0		PLATE, Drive Plate Backing
27	5093 944AA	1				ER0	DG6		CONVERTER PACKAGE, Torque
28	J315 1407	6				ER0	DG0		BOLT, Hex Head, .50-20x.56
29									PISTON PIN AND ROD

**JEEP WRANGLER (TJ)**

**SERIES**

H = Sport

L = SE

M = X

P = Sahara

S = Rubicon

**LINE**

J = Wrangler 4WD

U = Wrangler 4WD (RHD)

**BODY**

77 = 93.4 WB

**ENGINE**

ED1, ED0 = 2.4L DOHC

ERH = 4.0L Power Tech

**TRANSMISSION**

DGG, DGD = 32RH 3 Spd.

Auto.

DDD = 5 Speed HD Manual

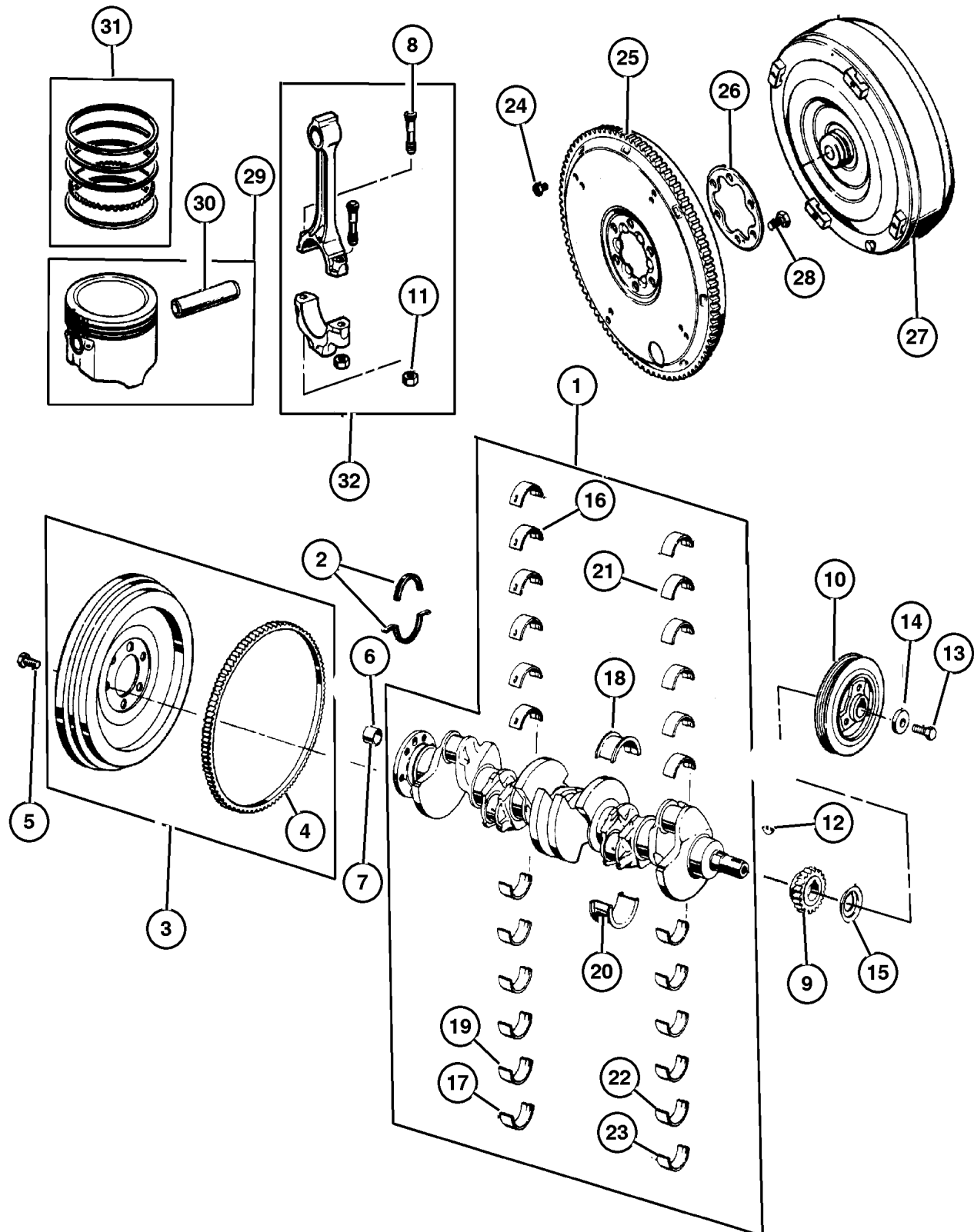
DG0 = Auto. Trans.

DBB = Manual Trans.

DDK = 5 Speed Manual

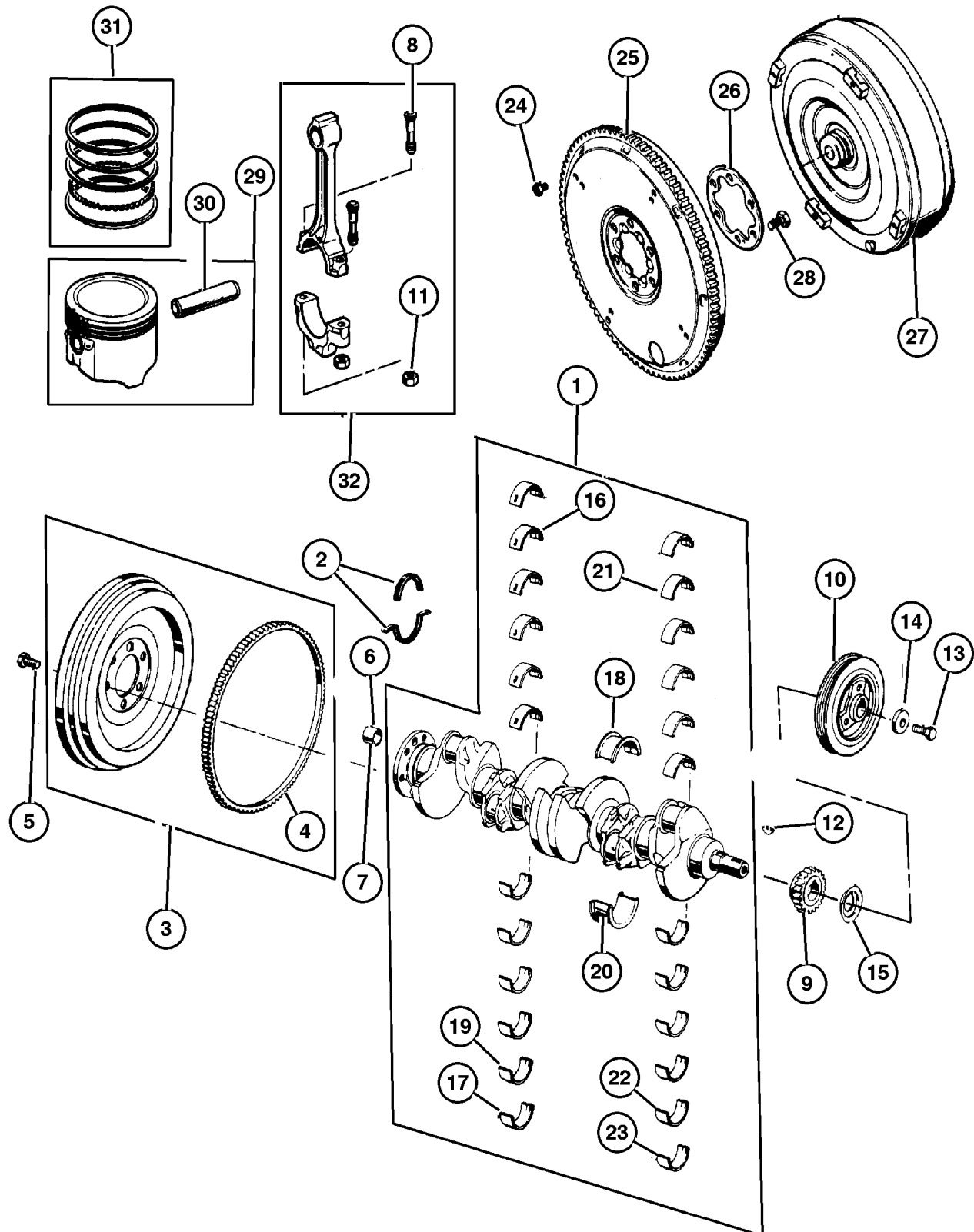
AR = Use as required - = Non illustrated part # = New this model year

January 6, 2004



**Crankshaft, Piston and Torque Converter, 4.0L (ERH)  
Figure 4.0L-410**

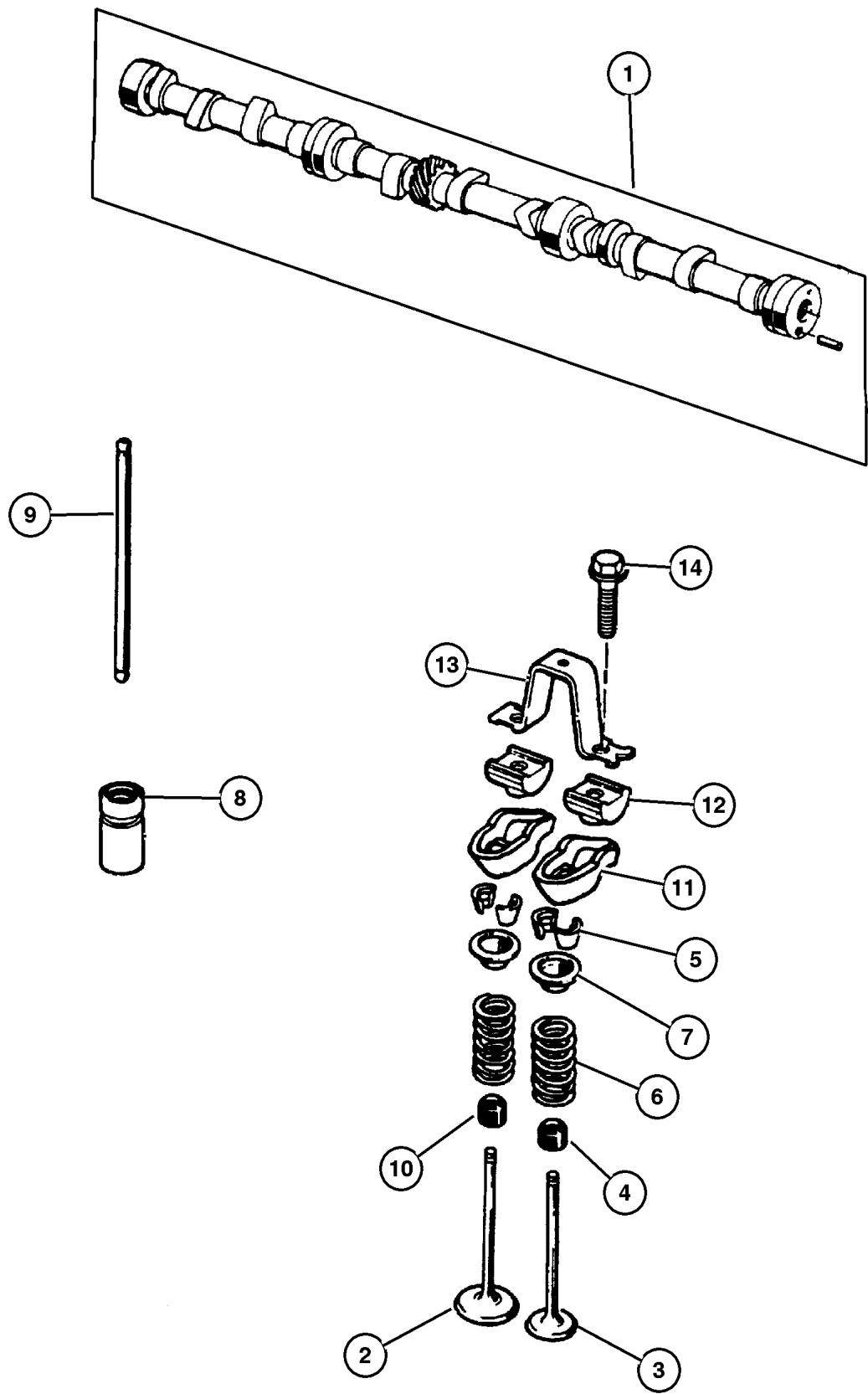
ITEM	PART NUMBER	QTY	LINE	SERIES	BODY	ENGINE	TRANS	TRIM	DESCRIPTION
	4798 329AC	6				ER0			B Size, 3.872
	4798 330AC	6				ER0			C Size, 3.8746
	4798 331AC	6				ER0			D Size, 3.8750
	4798 332AC	6				ER0			E Size, 3.8754
	4798 333AC	6				ER0			F Size, 3.8758
30									PIN, Piston, Serviced in Piston Assembly, (NOT SERVICED) (Not Serviced)
31	4798 878	1				ER0			RING PACKAGE, Piston, Standard Size Complete Engine
32									ROD, Connecting, Serviced in Piston Assembly, (NOT SERVICED) (Not Serviced)
-33	5018 594AA	1				ER0			SEAL PACKAGE, Crankshaft



**JEEP WRANGLER (TJ)**  
 SERIES LINE BODY ENGINE TRANSMISSION  
 H = Sport J = Wrangler 4WD 77 = 93.4 WB ED1, ED0 = 2.4L DOHC DGG, DGD = 32RH 3 Spd.  
 L = SE U = Wrangler 4WD (RHD) ERH = 4.0L Power Tech Auto.  
 M = X  
 P = Sahara  
 S = Rubicon  
 DDD = 5 Speed HD Manual  
 DG0 = Auto. Trans.  
 DBB = Manual Trans.  
 DDK = 5 Speed Manual

AR = Use as required - = Non illustrated part # = New this model year

**Camshaft and Valves, 4.0L (ERH)  
Figure 4.0L-510**



ITEM	PART NUMBER	QTY	LINE	SERIES	BODY	ENGINE	TRANS	TRIM	DESCRIPTION
NOTE:									
SALES CODES:									
[ER0] = All 4.0L 6 Cylinder Gas Engines									
[DBB] = All Manual Transmissions									
[DG0] = All Automatic Transmissions									
1	53010 448AA	1				ER0			CAMSHAFT
2	53010 512AA	6				ER0			VALVE, Intake, Standard
3	53010 513AA	6				ER0			VALVE, Exhaust, Standard
4	5300 9887	6				ER0			SEAL, Valve Guide, Exhaust
5	53010 515AA	24				ER0			LOCK, Valve Spring Retainer
6	5301 0388	12				ER0			SPRING, Valve
7	53010 514AA	12				ER0			RETAINER, Valve Spring
8	53010 574AB	12				ER0			TAPPET, Valve
9	3300 2986	12				ER0			PUSH ROD, Valve
10	5300 9886	6				ER0			SEAL, Valve Guide, Intake
11	J324 2393	12				ER0			ROCKER ARM, Valve
12	J323 5090	12				ER0			PIVOT, Rocker Arm
13	J323 6513	6				ER0			BRIDGE, Rocker Arm
14	J942 5708	12				ER0			BOLT, Hex Flange Head, .312-18x1.25

**JEEP WRANGLER (TJ)**

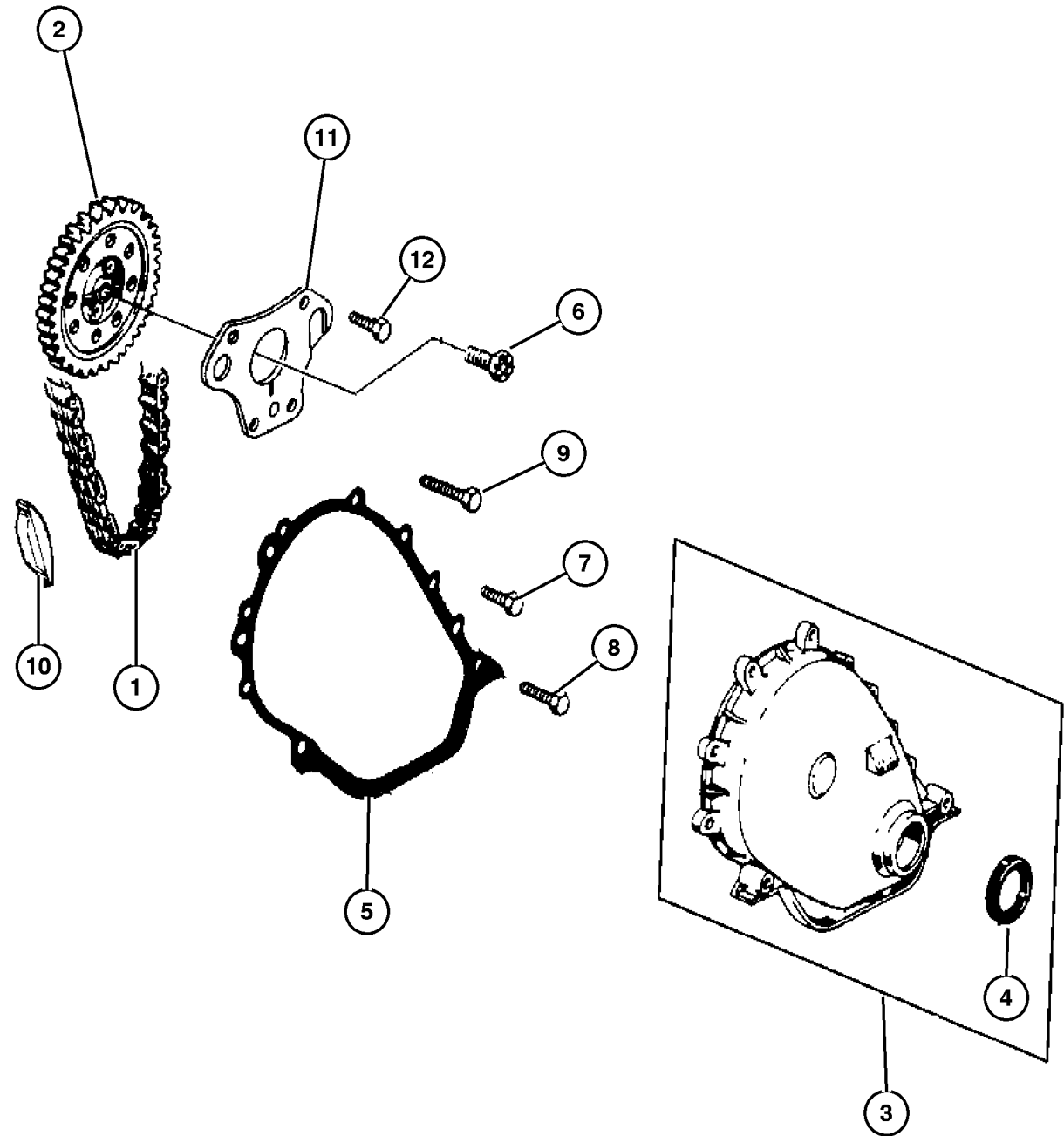
SERIES	LINE	BODY	ENGINE	TRANSMISSION
H = Sport	J = Wrangler 4WD	77 = 93.4 WB	ED1, ED0 = 2.4L DOHC	DGG, DGD = 32RH 3 Spd. Auto.
L = SE	U = Wrangler 4WD (RHD)		ERH = 4.0L Power Tech	DDD = 5 Speed HD Manual
M = X				DG0 = Auto. Trans.
P = Sahara				DBB = Manual Trans.
S = Rubicon				DDK = 5 Speed Manual

AR = Use as required - = Non illustrated part # = New this model year

January 6, 2004



Timing Cover, 4.0L (ERH)  
Figure 4.0L-610



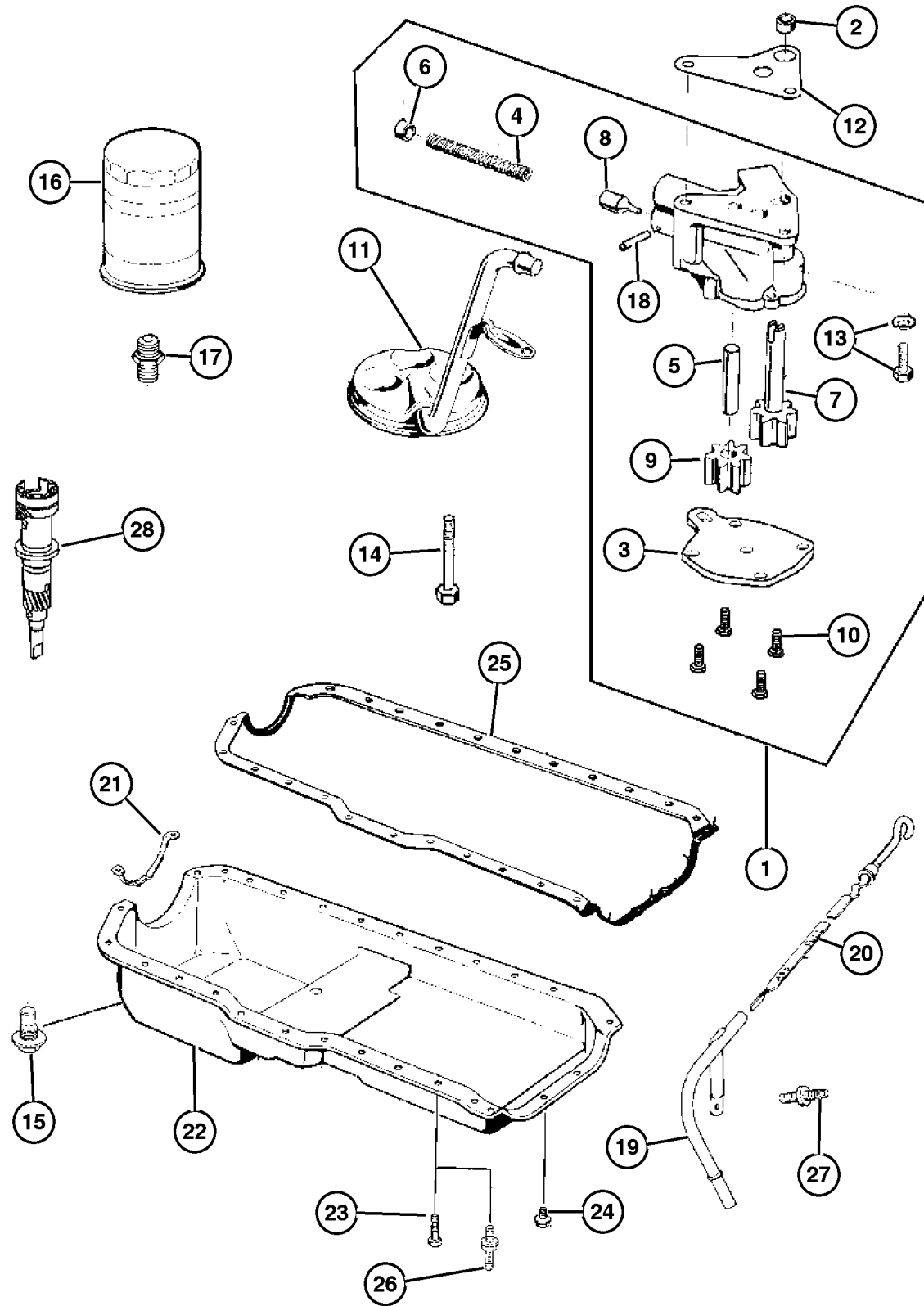
ITEM	PART NUMBER	QTY	LINE	SERIES	BODY	ENGINE	TRANS	TRIM	DESCRIPTION
NOTE:									
SALES CODES:									
[ER0] = All 4.0L 6 Cylinder Gas Engines									
[DBB] = All Manual Transmissions									
[DG0] = All Automatic Transmissions									
1	5302 0444	1				ER0			CHAIN, Timing
2	53010 557AA	1				ER0			SPROCKET, Camshaft
3	5301 0421	1				ER0			COVER, Timing Belt
4	3300 4681	1				ER0			SEAL, Front Main Crankshaft
5	5302 0487	1				ER0			GASKET, Front Cover
6	6024 030	1				ER0			SCREW AND WASHER, Hex
7	6035 893	5				ER0			BOLT, Hex
8	6035 895	2				ER0			SCREW
9	6035 894	2				ER0			SCREW
10	3300 3446	1				ER0			SNUBBER, Timing Chain
11	5301 0401	1				ER0			PLATE, Camshaft Thrust
12	6035 975AA	2				ER0			SCREW, Pan Head

<b>JEEP WRANGLER (TJ)</b>				
SERIES	LINE	BODY	ENGINE	TRANSMISSION
H = Sport	J = Wrangler 4WD	77 = 93.4 WB	ED1, ED0 = 2.4L DOHC	DGG, DGD = 32RH 3 Spd. Auto.
L = SE	U = Wrangler 4WD (RHD)		ERH = 4.0L Power Tech	DDD = 5 Speed HD Manual
M = X				DG0 = Auto. Trans.
P = Sahara				DBB = Manual Trans.
S = Rubicon				DDK = 5 Speed Manual

AR = Use as required - = Non illustrated part # = New this model year

January 6, 2004

**Engine Oiling, 4.0L (ERH)  
Figure 4.0L-710**



**NOTE:**

**SALES CODES:**

[ER0] = All 4.0L 6 Cylinder Gas Engines

[DBB] = All Manual Transmissions

[DG0] = All Automatic Transmissions

ITEM	PART NUMBER	QTY	LINE	SERIES	BODY	ENGINE	TRANS	TRIM	DESCRIPTION
1	J324 1399	1				ER0			PUMP, Engine Oil
2	J400 5149	1				ER0			DOWEL, Oil Pump
3	J324 1733	1				ER0			COVER, Engine Oil Pump
4	J323 9668	1				ER0			SPRING, Oil Pressure Relief Valve
5	J317 1956	1				ER0			SHAFT, Oil Pump
6	J317 1958	1				ER0			RETAINER, Oil Release Valve
7	J317 2334	1				ER0			GEAR, Oil Pump
8	J318 8661	1				ER0			PLUNGER, Oil Pressure Relief Valve
9	J319 6843	1				ER0			GEAR, Oil Pump Driven
10	J941 6852	4				ER0			SCREW, Hex Flange Head, .25-20x.50
11	3300 2696	1				ER0			TUBE, Oil Pump Inlet
12	J317 2332	1				ER0			GASKET, Oil Pump
13	6022 235	1				ER0			BOLT AND WASHER, Hex Head, .312-18x1.00
14	0154 593	1				ER0			SCREW, Hex Head Coned, .312-18x2.625
15	6035 417	1				ER0			PLUG, Oil Drain
16	5281 090	1				ER0			FILTER, Engine Oil
17	5300 7563	1				ER0			CONNECTOR, Oil Filter
18	J027 1448	1				ER0			PIN, Roll, 5/32" x 1.00"
19	5302 0782	1				ER0			TUBE, Oil Filler
20	5301 0445	1				ER0			INDICATOR, Engine Oil Level
21	53010 511AA	1				ER0			SUPPORT, Engine Oil Pan
22	53010 340AB	1				ER0			PAN, Engine Oil
23	6034 732	17				ER0			SCREW AND WASHER, Hex Head, .25-20x.545
24	6036 407AA	4				ER0			SCREW, Hex Head Coned, .312-18x.875
25	53007 568AC	1				ER0			GASKET, Oil Pan
26	6034 734	7				ER0			BOLT, Double Stud Hex, .250-20x1.437 & .250-20 x.700
27	6035 664	1				ER0			STUD, .312-18x1.560
28	53010 615AA	1				ER0			DRIVE, OIL PUMP

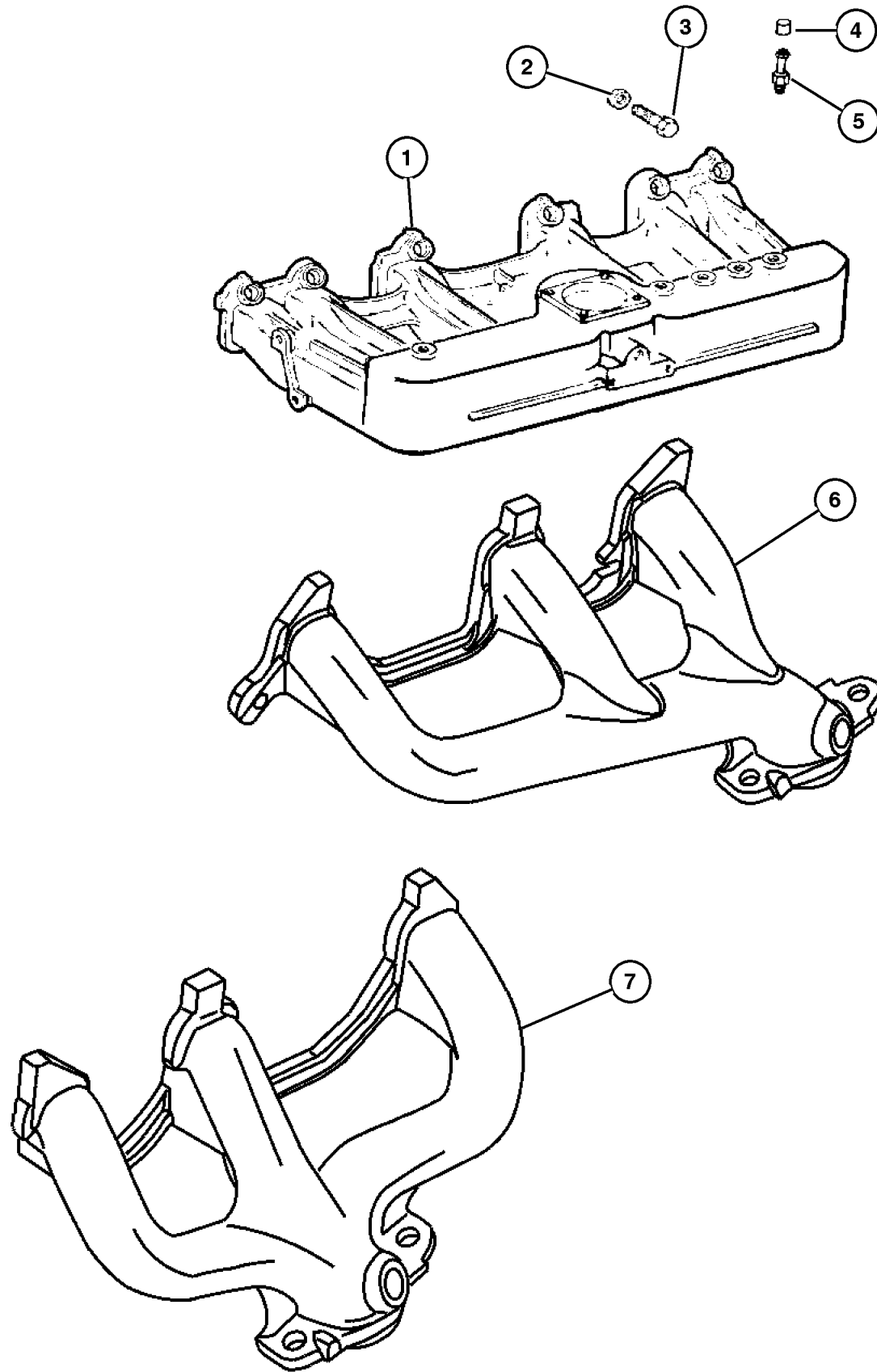
**JEEP WRANGLER (TJ)**

SERIES	LINE	BODY	ENGINE	TRANSMISSION
H = Sport	J = Wrangler 4WD	77 = 93.4 WB	ED1, ED0 = 2.4L DOHC	DGG, DGD = 32RH 3 Spd. Auto.
L = SE	U = Wrangler 4WD (RHD)		ERH = 4.0L Power Tech	DDD = 5 Speed HD Manual
M = X				DG0 = Auto. Trans.
P = Sahara				DBB = Manual Trans.
S = Rubicon				DDK = 5 Speed Manual

AR = Use as required - = Non illustrated part # = New this model year

January 6, 2004

**Manifold, Intake and Exhaust  
Figure 4.0L-810**



**NOTE:**

**SALES CODES:**

[ER0] = All 4.0L 6 Cylinder Gas Engines

[DBB] = All Manual Transmissions

[DG0] = All Automatic Transmissions

ITEM	PART NUMBER	QTY	LINE	SERIES	BODY	ENGINE	TRANS	TRIM	DESCRIPTION
1	4854 197AB	1				ER0			MANIFOLD, Intake
2	6036 171AA	2				ER0			NUT AND WASHER
3	6036 045AA	1				ER0			BOLT AND RETAINER, Hex Head
4	5503 5614	1							RESERVOIR, Vacuum
5	4854 194	1				ER0			FITTING, Vacuum
6	5301 0196	1				ER0			MANIFOLD, Exhaust, Front
7	5301 0199	1				ER0			MANIFOLD, Exhaust, Rear
-8	4854 038	1				ER0			GASKET, Intake/Exhaust Manifold
-9	6036 193AA	2				ER0			STUD, .375-16/.375-24x1.75
-10	6506 546AA	2				ER0			NUT, Exhaust Manifold

**JEEP WRANGLER (TJ)**

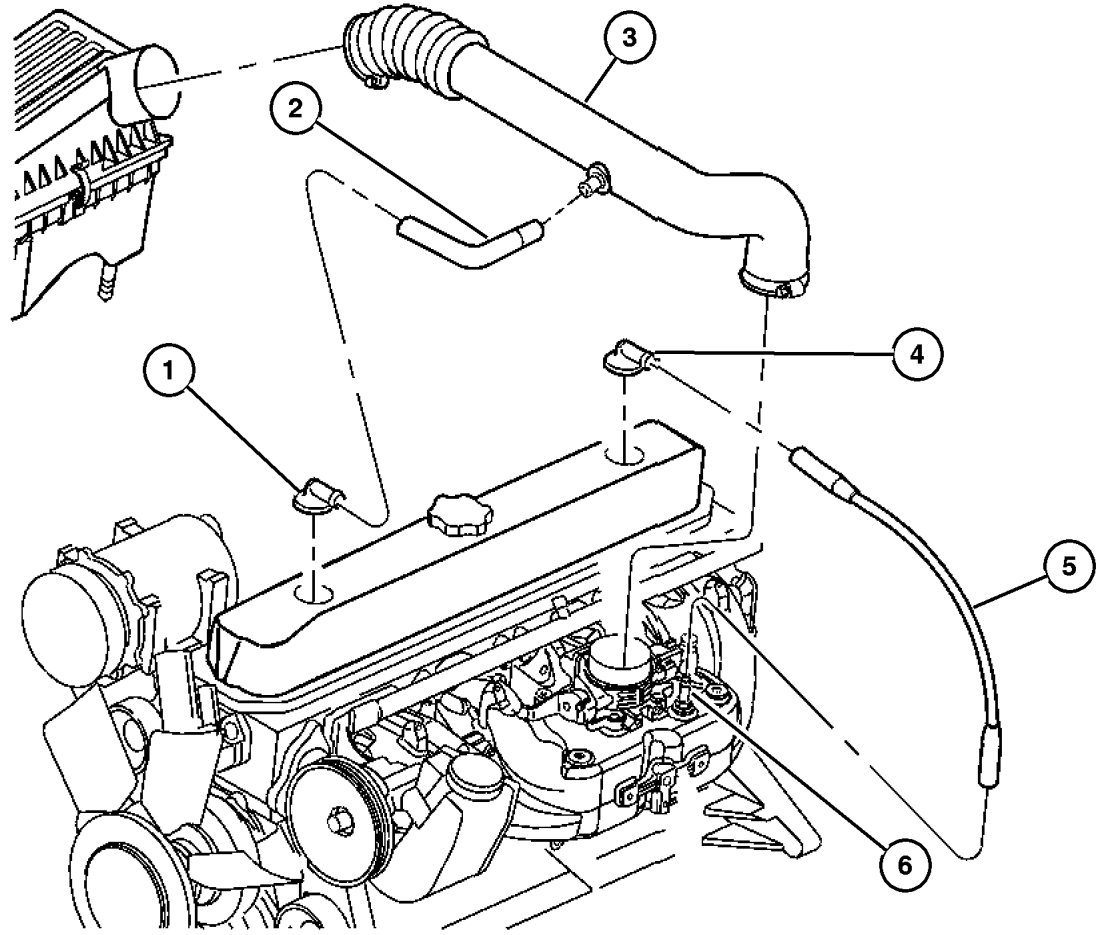
SERIES	LINE	BODY	ENGINE	TRANSMISSION
H = Sport	J = Wrangler 4WD	77 = 93.4 WB	ED1, ED0 = 2.4L DOHC	DGG, DGD = 32RH 3 Spd. Auto.
L = SE	U = Wrangler 4WD (RHD)		ERH = 4.0L Power Tech	DDD = 5 Speed HD Manual
M = X				DG0 = Auto. Trans.
P = Sahara				DBB = Manual Trans.
S = Rubicon				DDK = 5 Speed Manual

AR = Use as required - = Non illustrated part # = New this model year

January 6, 2004

**Crankcase Ventilation, 4.0L [ER0]  
Figure 4.0L-910**

ITEM	PART NUMBER	QTY	LINE	SERIES	BODY	ENGINE	TRANS	TRIM	DESCRIPTION
1	5303 0497	1				ER0			FITTING, Crankcase Vent Tube
2	5303 0615	1				ER0			TUBE, Crankcase Vent Valve
3	5303 0611	1				ER0			HOSE, Air Cleaner
4	5303 0495	1				ER0			TUBE, Crankcase Vent To Air Cleaner
5	4854 265	1				ER0			TUBE, Crankcase Vent To Intake Manifold
6	4854 194	1				ER0			FITTING, Vacuum



**JEEP WRANGLER (TJ)**

SERIES	LINE	BODY	ENGINE	TRANSMISSION
H = Sport	J = Wrangler 4WD	77 = 93.4 WB	ED1, ED0 = 2.4L DOHC	DGG, DGD = 32RH 3 Spd. Auto.
L = SE	U = Wrangler 4WD (RHD)		ERH = 4.0L Power Tech	DDD = 5 Speed HD Manual
M = X				DG0 = Auto. Trans.
P = Sahara				DBB = Manual Trans.
S = Rubicon				DDK = 5 Speed Manual

AR = Use as required - = Non illustrated part # = New this model year

January 6, 2004

# Group – 011

## Exhaust

### GROUP 11 - Exhaust

Illustration Title

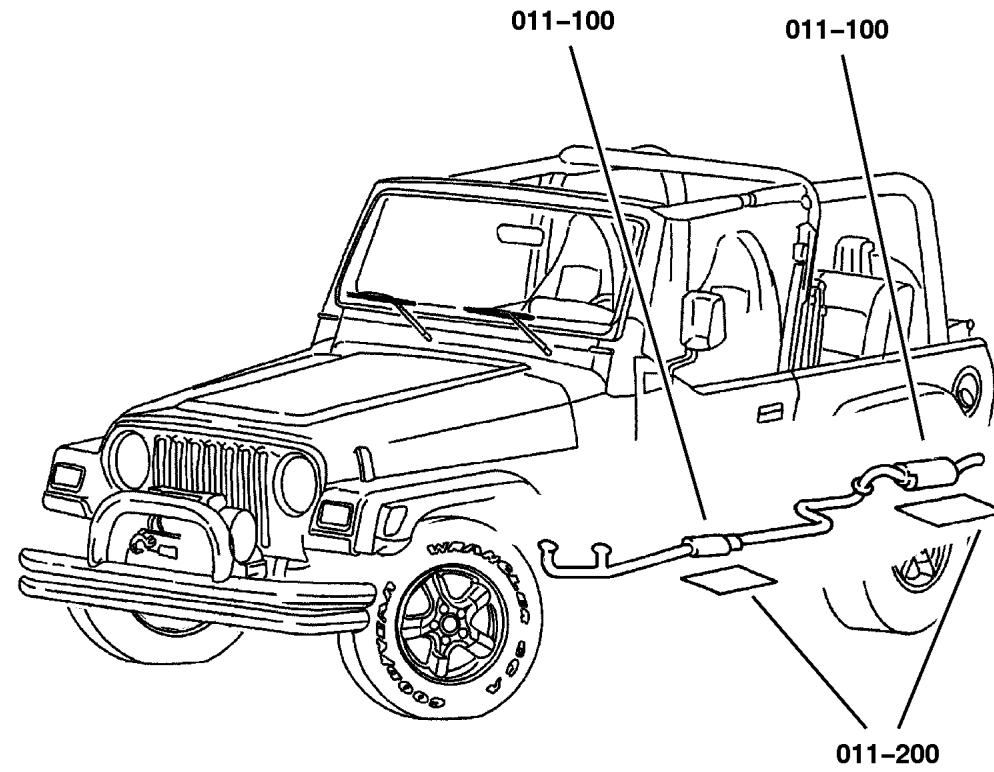
Group-Fig. No.

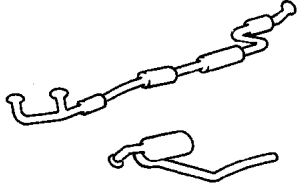
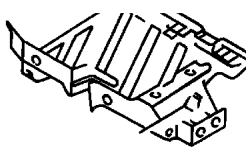
#### Exhaust System

Exhaust System, 2.4 (ED1), 4.0 (ERO) ..... Fig. 011-110

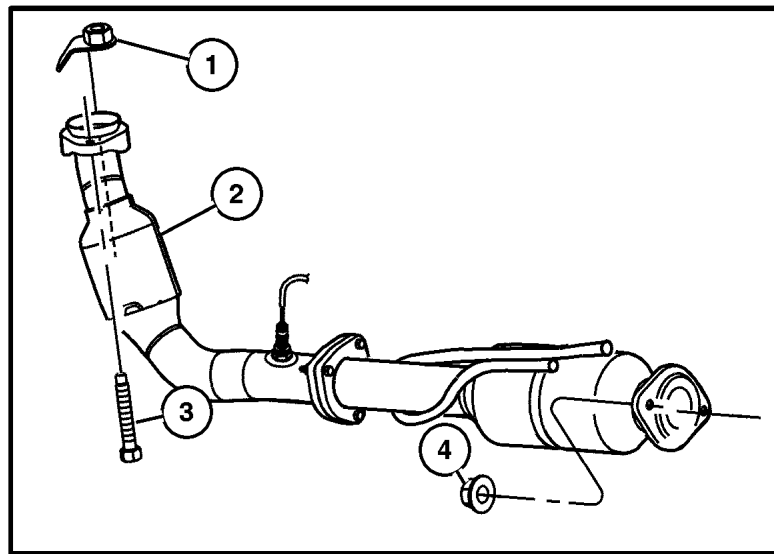
#### Heat Shields

Heat Shields, 2.4 (ED1), 4.0 (ERH) ..... Fig. 011-210

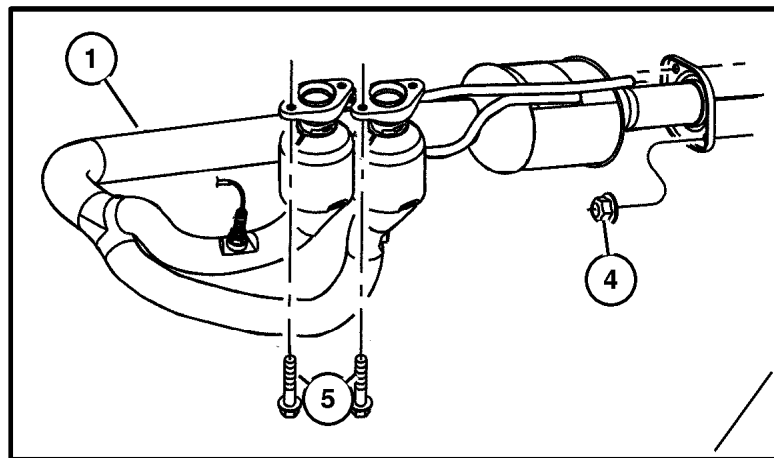


<p><b>011-100</b> Exhaust System</p> 	<p><b>011-200</b> Heat Shields</p> 		
--	--	--	--

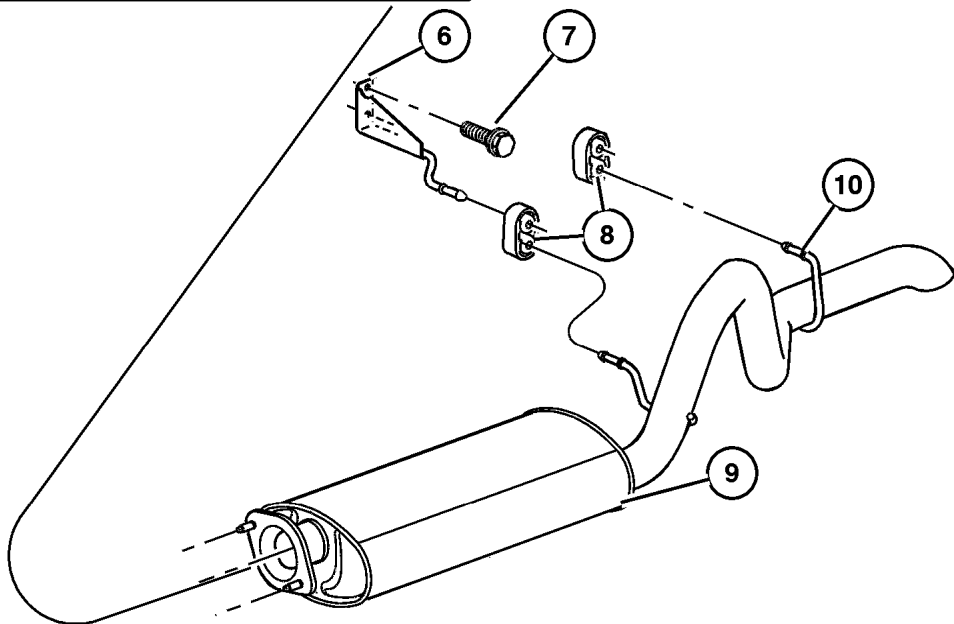
Exhaust System, 2.4 (ED1), 4.0 (ERO)  
Figure 011-110



(EDO)



(ERO)



ITEM	PART NUMBER	QTY	LINE	SERIES	BODY	ENGINE	TRANS	TRIM	DESCRIPTION
NOTE:[ EP0]=All 2.5L Gas Engines [ER0]=All 4.0L Engines [ DBB]=All Manual Transmissions [ DG0]=All Automatic Transmissions									
1	#52059 716AA	2				ED1	DBB, DG0		NUT, Hex Lock, M8x1.25
2	52059 566AC	1			77	ED1			PIPE AND CONVERTER, Exhaust
	#52059 681AA	1				ER0			
	52101 272AC	1		H, L, M, P		ER0			Up to 2/23/04, Export
	5114 581AA	1		H, L, M, P		ER0			After 2/23/04, Export
3	6505 954AA	2				ED1	DBB, DG0		SCREW, Hex Head Pilot Point, M8x1.25x65.00
4	6502 337	2							NUT, M10x1.5
5	6505 754AA	4				ER0			SCREW, Hex Head
6	5201 9408	1							HANGER, Muffler
7	6035 613	4							SCREW
8	5210 1035	2							INSULATOR, Exhaust
9	52019 241AE	1			77	ER0			MUFFLER AND TAILPIPE, Exhaust
	52059 614AA	1			77	ED1			
	#56052 347AA	1	J		78	ER0			
10	5201 9413	1							HANGER, Exhaust

JEEP WRANGLER (TJ)

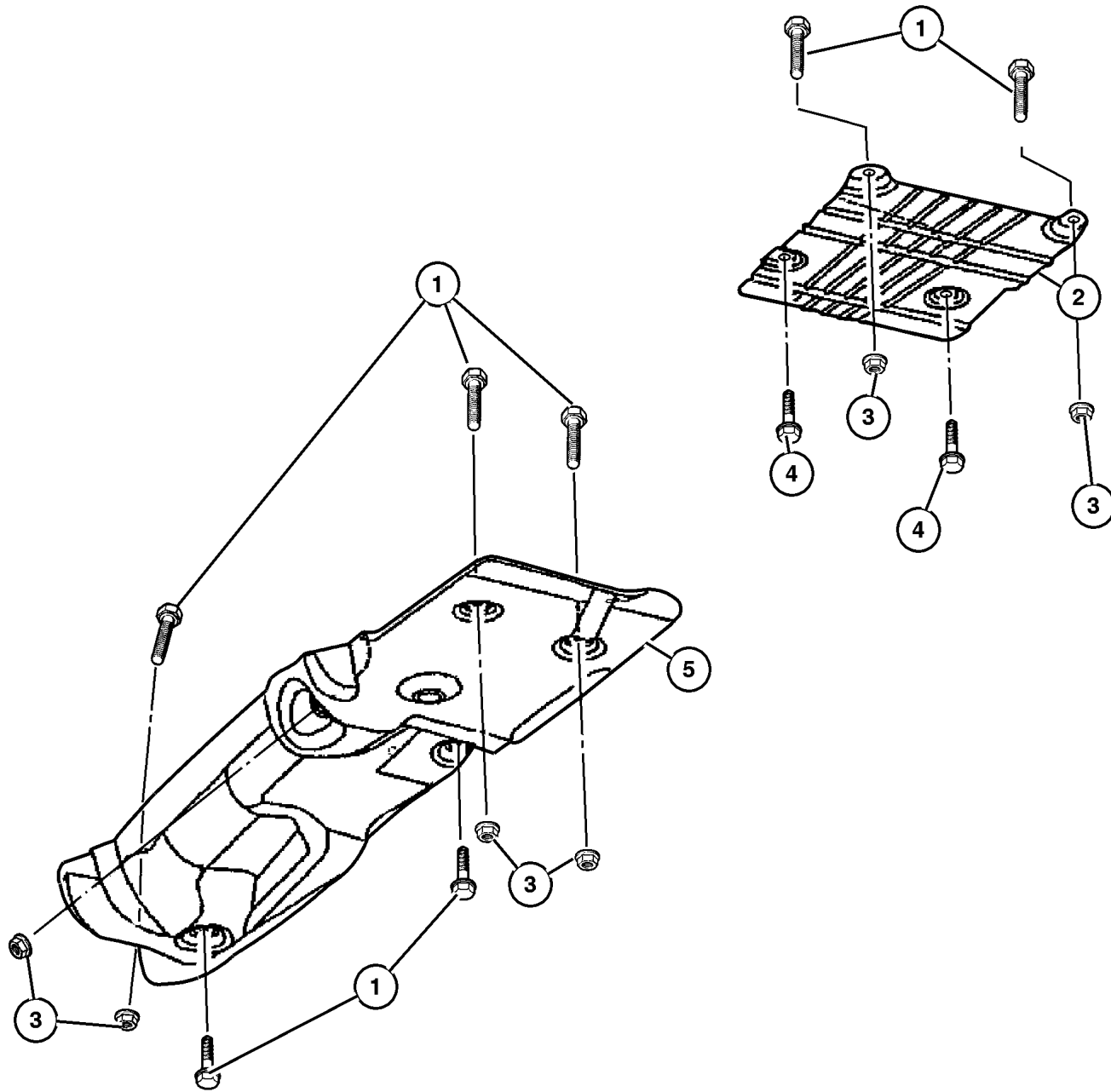
SERIES	LINE	BODY	ENGINE	TRANSMISSION
H = Sport	J = Wrangler 4WD	77 = 93.4 WB	ED1, ED0 = 2.4L DOHC	DGG, DGD = 32RH 3 Spd. Auto.
L = SE	U = Wrangler 4WD (RHD)		ERH = 4.0L Power Tech	DDD = 5 Speed HD Manual
M = X				DG0 = Auto. Trans.
P = Sahara				DBB = Manual Trans.
S = Rubicon				DDK = 5 Speed Manual

AR = Use as required - = Non illustrated part # = New this model year

January 6, 2004

Heat Shields, 2.4 (ED1), 4.0 (ERH)  
Figure 011-210

ITEM	PART NUMBER	QTY	LINE	SERIES	BODY	ENGINE	TRANS	TRIM	DESCRIPTION
1									SCREW, [.250-20x.875], (NOT SERVICED) (Not Serviced)
2	55395 165AA	1							SHIELD, Muffler
	#56052 615AA	1	J		78				
3									NUT, [M6X1.00] , (NOT SERVICED) (Not Serviced)
4									SCREW, [.250-20x625], (NOT SERVICED) (Not Serviced)
5	55176 694AF	1							SHIELD, Muffler
-6	53013 669AA	1				ER0			SHIELD, Exhaust Manifold



JEEP WRANGLER (TJ)

SERIES	LINE	BODY	ENGINE	TRANSMISSION
H = Sport	J = Wrangler 4WD	77 = 93.4 WB	ED1, ED0 = 2.4L DOHC	DGG, DGD = 32RH 3 Spd. Auto.
L = SE	U = Wrangler 4WD (RHD)		ERH = 4.0L Power Tech	DDD = 5 Speed HD Manual
M = X				DG0 = Auto. Trans.
P = Sahara				DBB = Manual Trans.
S = Rubicon				DDK = 5 Speed Manual

AR = Use as required - = Non illustrated part # = New this model year

January 6, 2004

# Group – 013

## Frames and Bumpers

GROUP 13 - Frames and Bumpers

Illustration Title

Group-Fig. No.

**Frames**

Frame ..... Fig. 013-110

**Front Bumper and Fascia**

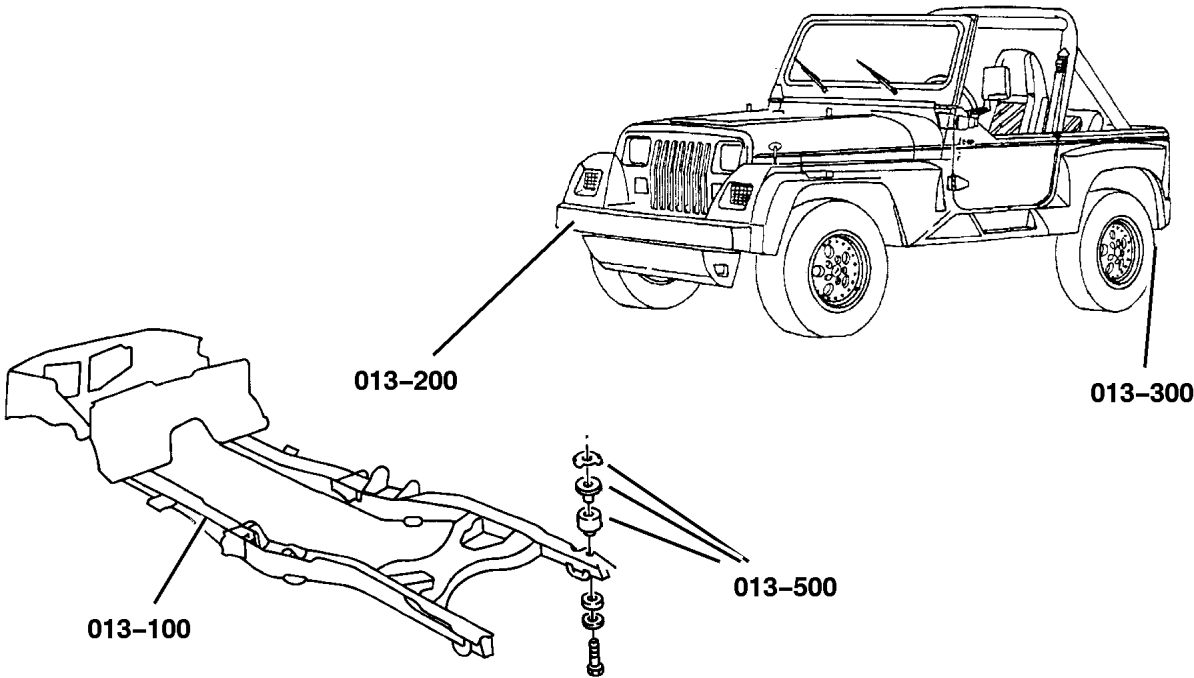
Bumper, Front ..... Fig. 013-210

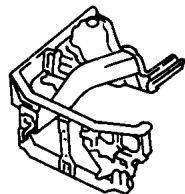
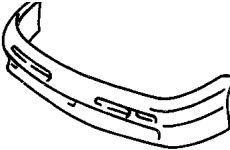


**Rear Bumper and Fascia**

Bumper, Rear ..... Fig. 013-310

**Body Hold Down**

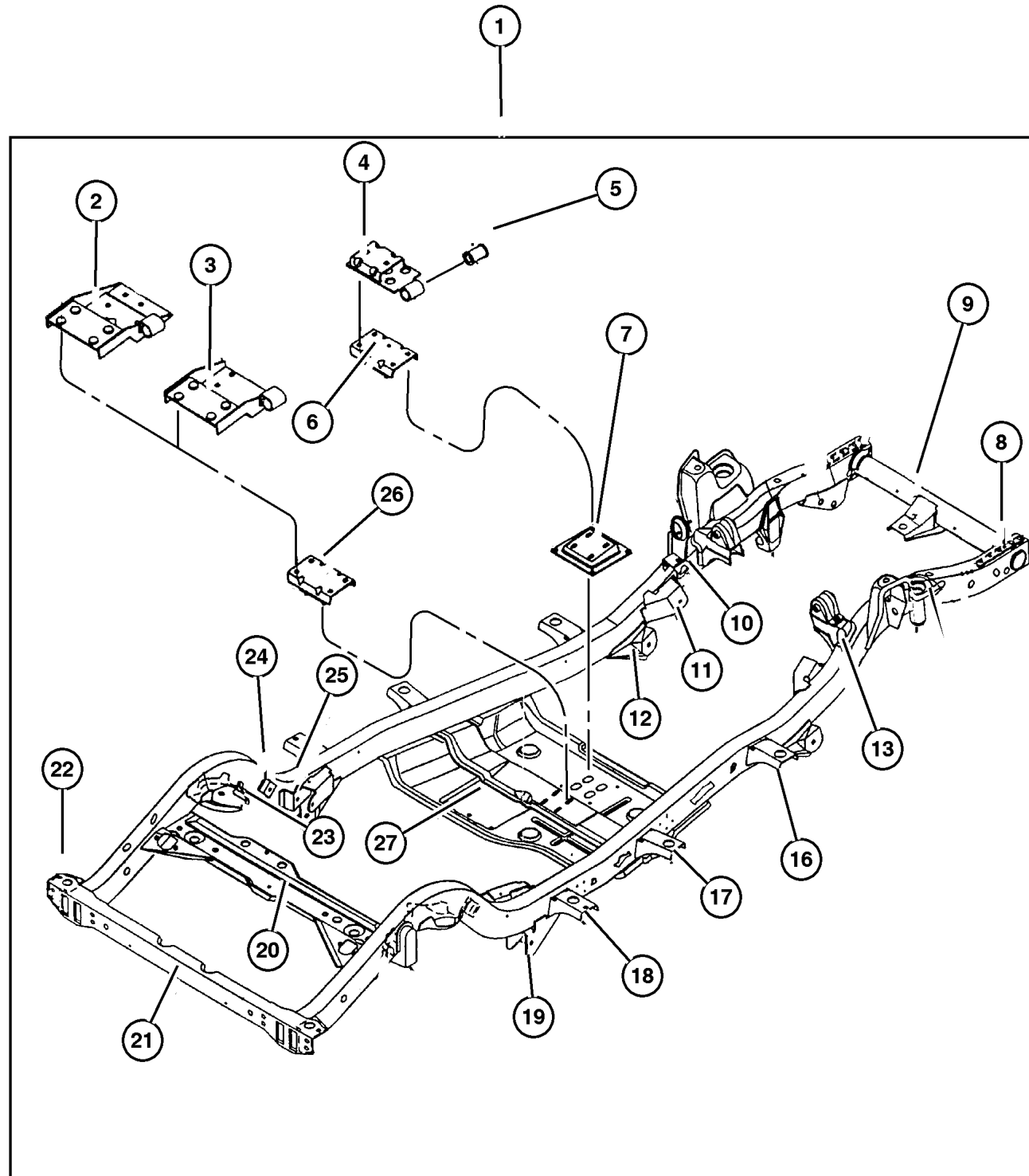
Body Mounting Hardware ..... Fig. 013-510



<p><b>013-100</b> Frames</p> 	<p><b>013-200</b> Front Bumper and Fascia</p> 	<p><b>013-300</b> Rear Bumper and Fascia</p> 	<p><b>013-500</b> Body Hold Down</p> 
--	---	---	--



Frame  
Figure 013-110



ITEM	PART NUMBER	QTY	LINE	SERIES	BODY	ENGINE	TRANS	TRIM	DESCRIPTION
Note: Sales Code ED0 = 2.4L Gas Engine									
Note: Sales Code ER0 = 4.0L Gas Engine									
Note: Sales Code DG0 = Auto Transmission									
Note: Sales Code DD0 = Manual Transmission									
1									FRAME, Chassis
	52058 813AH	1	J						[ED0], Without [XDC]
	52058 811AH	1	J						[ER0], Without [XDC]
	52058 815AH	1	U						[ER0], Without [XDC]
	52059 651AB	1	J		77				[ED0], With [XDC]
	52059 652AB	1	J						[ER0], With [XDC]
	52059 653AB	1	U						[ER0], With [XDC]
	#56052 329AB	1	J		78				[ER0], Without [XDC]
2									BRACKET, Transmission Mount
	52059 422AB	1							[ED0][DG0]
	52059 504AB	1							[ED0][DD0]
	52059 502AB	1							[ER0][DG0]
	52059 509AB	1							[ER0][DD0]
3									BRACKET, Transmission Mount
	52059 422AB	1							[ED0][DG0]
	52059 504AB	1							[ED0][DD0]
	52059 502AB	1							[ER0][DG0]
	52059 509AB	1							[ER0][DD0]
4									BRACKET, Transmission Mount
	52059 422AB	1							[ED0][DG0]
	52059 504AB	1							[ED0][DD0]
	52059 502AB	1							[ER0][DG0]
	52059 509AB	1							[ER0][DD0]
5	5208 5085	1							BUSHING, Exhaust Hanger
6	52058 551AB	1							MOUNT, Transmission, Trans.
									Support
7									BRACKET, Transmission Mount
	52059 422AB	1							[ED0][DG0]
	52059 504AB	1							[ED0][DD0]
	52059 502AB	1							[ER0][DG0]
	52059 509AB	1							[ER0][DD0]
8									PLATE, Suspension
	5205 8430	2	J						
		2	U						
9									CROSSMEMBER, Underbody
	5003 819AA	1	J						
		1	U						
10									BRACKET, Frame Rail

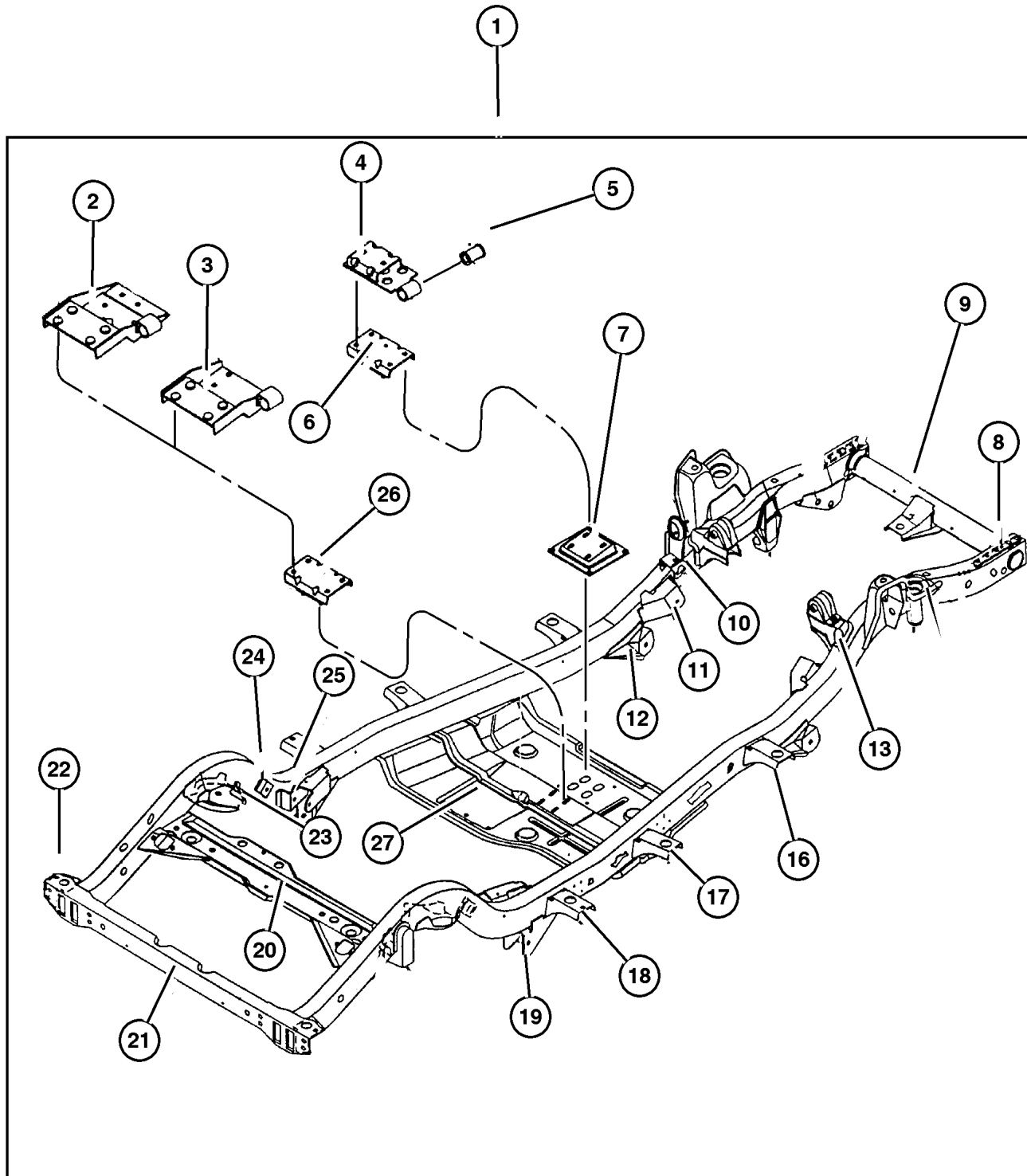
JEEP WRANGLER (TJ)

SERIES	LINE	BODY	ENGINE	TRANSMISSION
H = Sport	J = Wrangler 4WD	77 = 93.4 WB	ED1, ED0 = 2.4L DOHC	DGG, DGD = 32RH 3 Spd.
L = SE	U = Wrangler 4WD (RHD)		ERH = 4.0L Power Tech	Auto.
M = X				DDD = 5 Speed HD Manual
P = Sahara				DG0 = Auto. Trans.
S = Rubicon				DBB = Manual Trans.
				DDK = 5 Speed Manual

AR = Use as required - = Non illustrated part # = New this model year

January 6, 2004

Frame  
Figure 013-110



ITEM	PART NUMBER	QTY	LINE	SERIES	BODY	ENGINE	TRANS	TRIM	DESCRIPTION
	5205 8893	1	J						
	5205 8894	1	U						
11	52058 160AB	1	J		77				BRACKET, Frame Rail Right
		1	U		77				Right
	52058 161AB	1	J						Left
		1	U						Left
12	5205 8090	1	J		77				BRACKET, Frame Rail Right
		1	U		77				Right
	5205 8091	1	J						Left
		1	U						Left
13									BRACKET, Engine Mount
	5205 8864	1	J						[ER0], Right
		1	U						[ER0], Right
	5205 8865	1	J						[ER0], Left
		1	U						[ER0], Left
	5205 8870	1	J		77				[ED0], Right
	5205 8871	1	J						[ED0], Left
-14									REINFORCEMENT, Engine Mount
	5205 8846	1	J		77				[ED0], Right
	5205 8847	1	J						[ED0], Left
-15									REINFORCEMENT, Engine Mount
	5205 8845	1	J						[ER0], Left
		1	U						[ER0], Left
	5205 8911	1	J						[ER0], Right
		1	U						[ER0], Right
16									BRACKET, Frame
	5003 831AA	4	J						
		4	U						
17									BRACKET, Frame
	5003 831AA	4	J						
		4	U						
18									BRACKET, Frame
	5003 836AA	2	J						
		2	U						
19									BRACKET, Frame Rail
	5003 832AA	1	J						Right
		1	U						Right
	5003 833AA	1	J						Left
		1	U						Left
20									CROSSMEMBER, Intermediate Rear

JEEP WRANGLER (TJ)

SERIES  
H = Sport  
L = SE  
M = X  
P = Sahara  
S = Rubicon

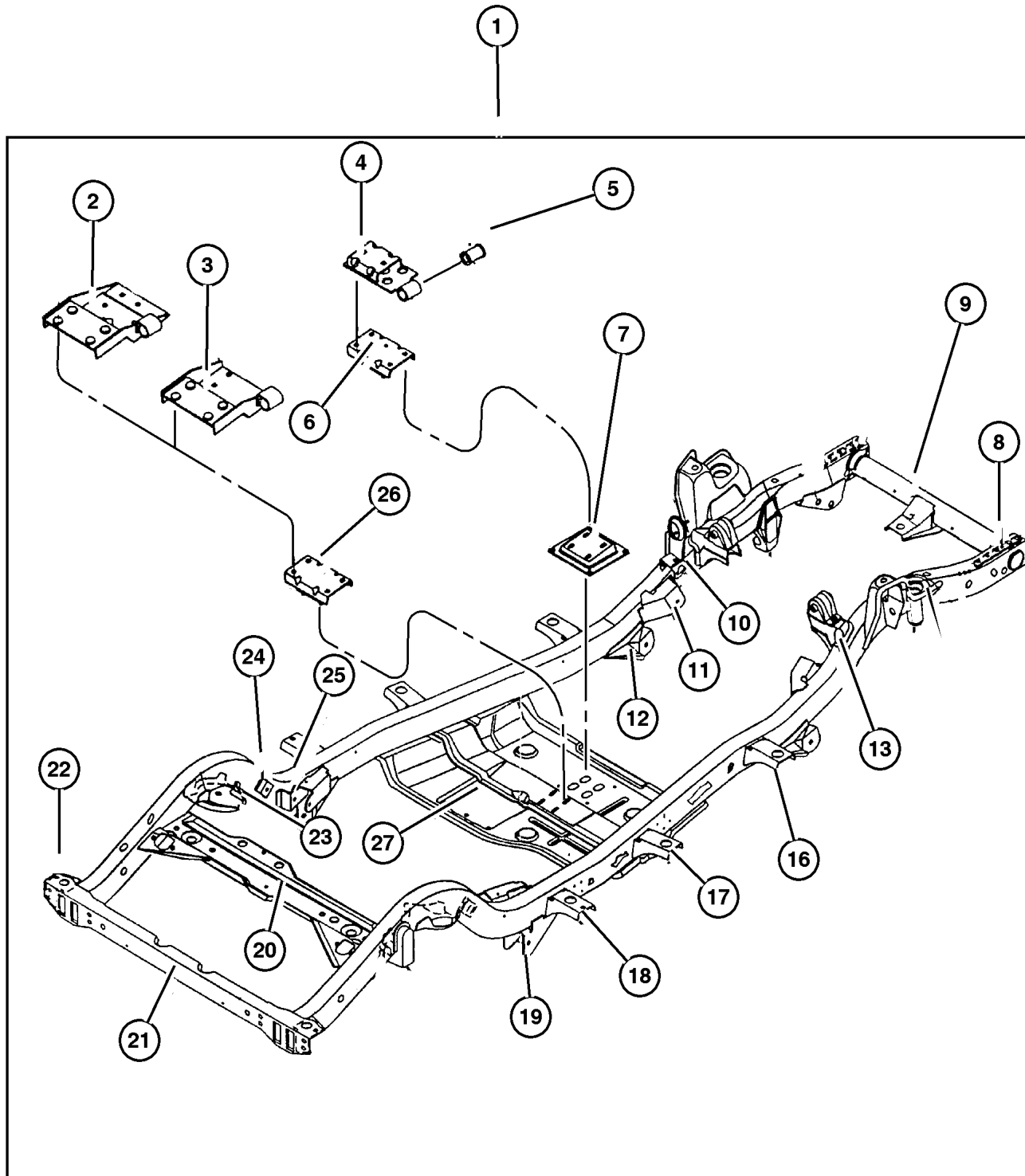
LINE  
J = Wrangler 4WD  
U = Wrangler 4WD (RHD)

BODY  
77 = 93.4 WB

ENGINE  
ED1, ED0 = 2.4L DOHC  
ERH = 4.0L Power Tech

TRANSMISSION  
DGG, DGD = 32RH 3 Spd.  
Auto.  
DDD = 5 Speed HD Manual  
DGO = Auto. Trans.  
DBB = Manual Trans.  
DDK = 5 Speed Manual

Frame  
Figure 013-110



ITEM	PART NUMBER	QTY	LINE	SERIES	BODY	ENGINE	TRANS	TRIM	DESCRIPTION
	52058 136AB	1	J						
		1	U						
21									CROSSMEMBER, Rear Frame
	52058 121AB	1	J						
		1	U						
22									REINFORCEMENT, Crossmember
	5205 8772	1	J						Right
		1	U						Right
	5205 8773	1	J						Left
		1	U						Left
23									BRACKET, Frame Rail
	52058 420AB	1	J						Right
		1	U						Right
	52058 421AB	1	J						Left
		1	U						Left
24									BRACKET, Stabilizer Bar
	5205 8632	2	J						
		2	U						
25									BRACKET, Upper Control Arm
	5003 834AC	1	J						Right
		1	U						Right
	5003 835AC	1	J						Left
		1	U						Left
26	52058 551AB	1							MOUNT, Transmission, Trans. Support
27									SKID PLATE, Support
	52059 501AB	1	J						
		1	U						
-28	6506 629AA	2				77			NUT, Rivet

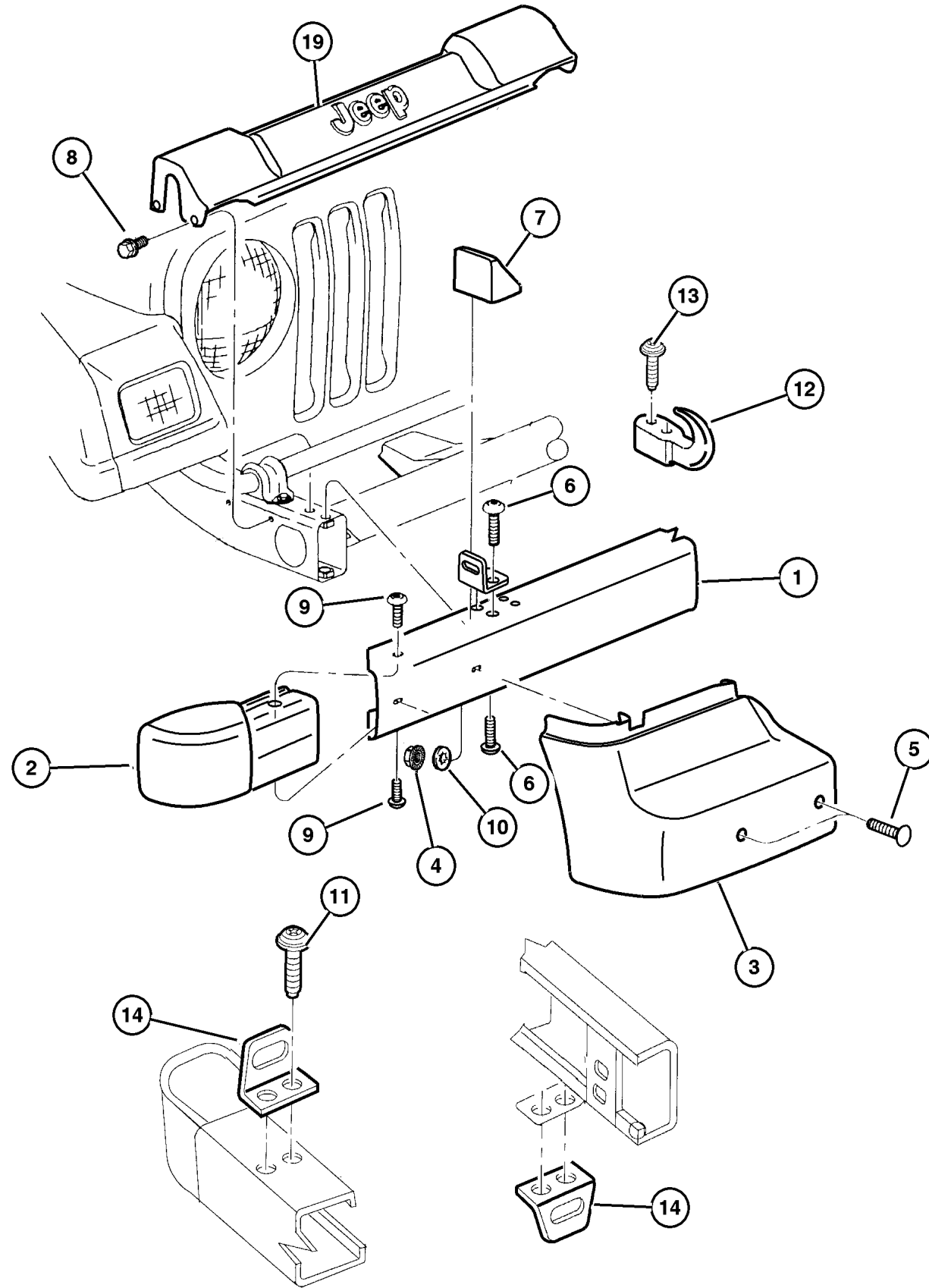
JEEP WRANGLER (TJ)

SERIES	LINE	BODY	ENGINE	TRANSMISSION
H = Sport	J = Wrangler 4WD	77 = 93.4 WB	ED1, ED0 = 2.4L DOHC	DGG, DGD = 32RH 3 Spd. Auto.
L = SE	U = Wrangler 4WD (RHD)		ERH = 4.0L Power Tech	DDD = 5 Speed HD Manual
M = X				DG0 = Auto. Trans.
P = Sahara				DBB = Manual Trans.
S = Rubicon				DDK = 5 Speed Manual

AR = Use as required - = Non illustrated part # = New this model year

January 6, 2004

## Bumper, Front Figure 013-210



ITEM	PART NUMBER	QTY	LINE	SERIES	BODY	ENGINE	TRANS	TRIM	DESCRIPTION
1	5ED16 JX8AF	1							BAR, Bumper Front - Painted
2									EXTENSION, Bumper
	55155 756AB	1	J						Right
	55155 757AB	1	J						Left
	55155 762AA	1							Export, Right
	55155 763AA	1							Export, Left
3									COVER, Bumper
	55155 667AF	1							Export, Right
	55155 668AB	1							Export, Left
	#5139 254AA	1		S	77				Rubicon Export, Right
	#5139 255AA	1		S	77				Rubicon Export, Left
4	6100 840	4							NUT, Spring
5	6504 723	4							BOLT
6									SCREW, Pan Head, (NOT SERVICED) (Not Serviced)
7									CAP, (NOT SERVICED) (Not Serviced)
8	6036 181AA	4							SCREW AND WASHER
9	6504 212	2							SCREW, Large Round Washer Head Lock, M6x1.00x20.00
10	6100 840	4							NUT, Spring
11									SCREW, (NOT SERVICED) (Not Serviced)
12									HOOK, Tow
	5205 9015	1							Right
	5205 9016	1							Left
13									SCREW, (NOT SERVICED) (Not Serviced)
14									HOOK, Tow
	5205 9015	1							Left Front
	5205 9016	1							Right Front
	52059 379AB	1							Rear
-15									BRACKET, License Plate
	5515 5193	1							Without [ABJ]
	55155 764AB	1							With [ABJ]
-16									SCREW, (NOT SERVICED) (Not Serviced)
-17	6504 662	4	J						RETAINER, Push On
-18									NUT, (NOT SERVICED) (Not Serviced)
19	55155 667AF	1							COVER, Bumper

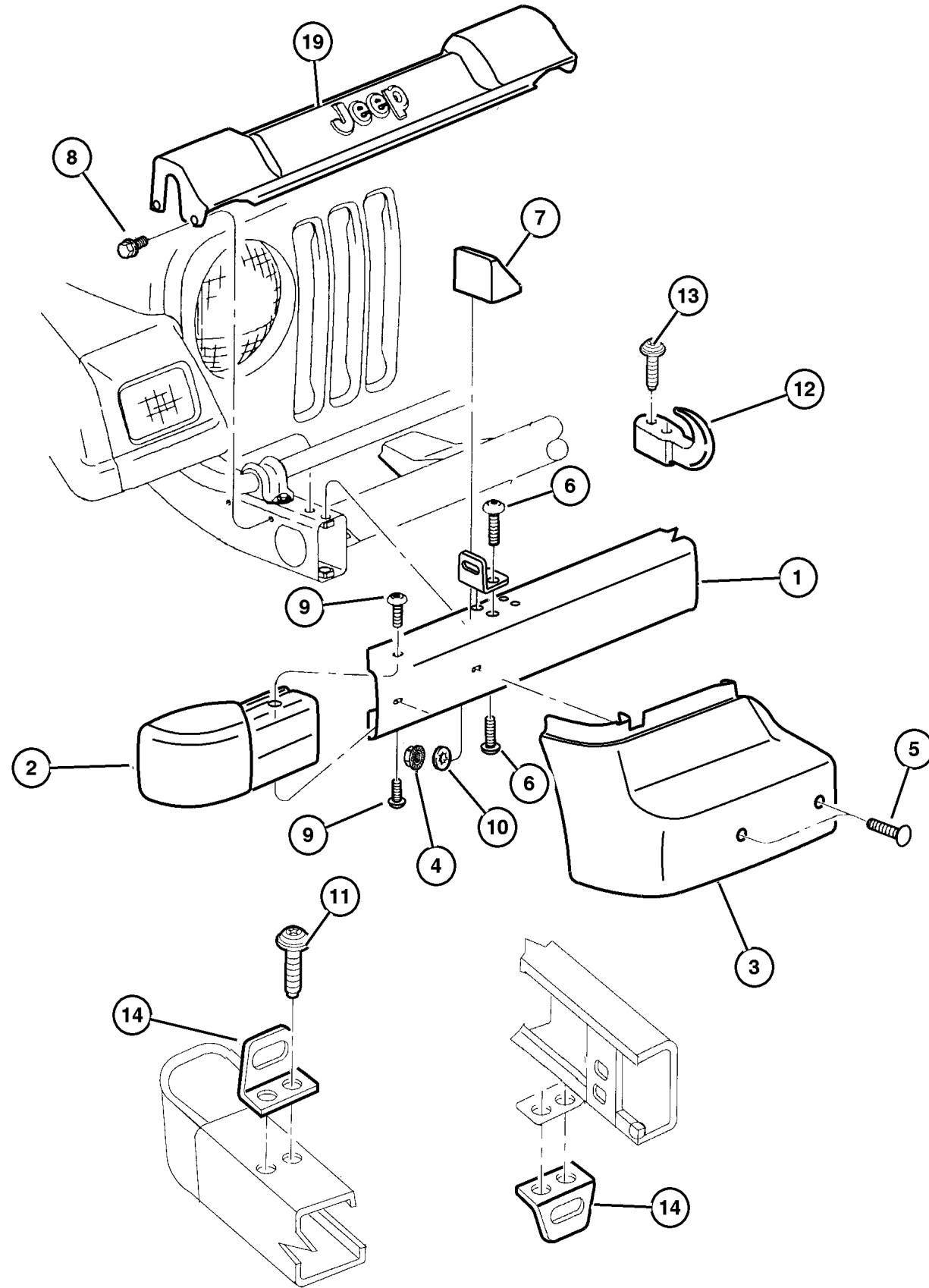
### JEEP WRANGLER (TJ)

SERIES	LINE	BODY	ENGINE	TRANSMISSION
H = Sport	J = Wrangler 4WD	77 = 93.4 WB	ED1, ED0 = 2.4L DOHC	DGG, DGD = 32RH 3 Spd. Auto.
L = SE	U = Wrangler 4WD (RHD)		ERH = 4.0L Power Tech	DDD = 5 Speed HD Manual
M = X				DG0 = Auto. Trans.
P = Sahara				DBB = Manual Trans.
S = Rubicon				DDK = 5 Speed Manual

AR = Use as required - = Non illustrated part # = New this model year

January 6, 2004

# Bumper, Front Figure 013-210



ITEM	PART NUMBER	QTY	LINE	SERIES	BODY	ENGINE	TRANS	TRIM	DESCRIPTION
-20	52000 240AC	2							GUARD, Bumper
-21	52059 191AA	2							EYE, Tow
-22	5517 4994	1							BRACKET, License Plate

**JEEP WRANGLER (TJ)**

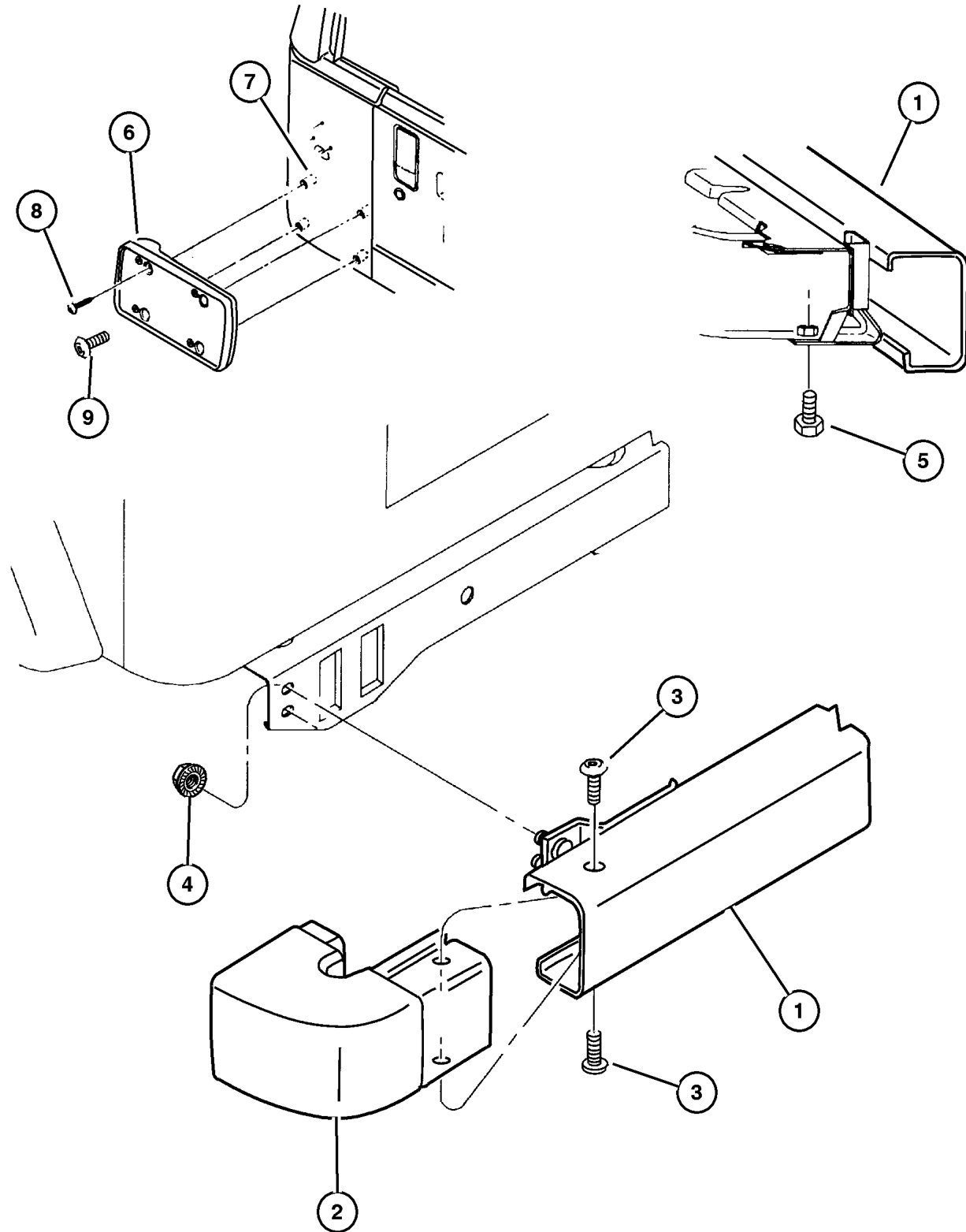
SERIES	LINE	BODY	ENGINE	TRANSMISSION
H = Sport	J = Wrangler 4WD	77 = 93.4 WB	ED1, ED0 = 2.4L DOHC	DGG, DGD = 32RH 3 Spd. Auto.
L = SE	U = Wrangler 4WD (RHD)		ERH = 4.0L Power Tech	DDD = 5 Speed HD Manual
M = X				DG0 = Auto. Trans.
P = Sahara				DBB = Manual Trans.
S = Rubicon				DDK = 5 Speed Manual

AR = Use as required - = Non illustrated part # = New this model year

January 6, 2004

## Bumper, Rear Figure 013-310

ITEM	PART NUMBER	QTY	LINE	SERIES	BODY	ENGINE	TRANS	TRIM	DESCRIPTION
1									BAR, Bumper Rear - Black
	5ED18 JX8AB	1	J						
	5EY03 JX8AE	1							Export
2									EXTENSION, Bumper
	55155 760AB	1	J						Right
	55155 761AB	1	J						Left
	55155 762AA	1							Export, Right
	55155 763AA	1							Export, Left
3	6504 212	2							SCREW, Large Round Washer Head
									Lock, M6x1.00x20.00
4									NUT, Hex, .437-14, (NOT REQUIRED)
5	6505 381AA	2							SCREW AND WASHER, Hex Head
6	5515 5193	1							BRACKET, License Plate, Export
7	6504 662	4	J						RETAINER, Push On
8									SCREW, (NOT SERVICED) (Not Serviced)
9	3420 1686	2							BOLT, Hex Flange Head, M12x1.18x35
-10	52059 379AB	1							HOOK, Tow
-11	52059 191AA	2							EYE, Tow
-12	6505 381AA	2							SCREW AND WASHER, Hex Head
-13									NUT AND WASHER, Hex Lock Nut-Coned Washer, M12 x 1.75, (NOT SERVICED) (Not Serviced)



### JEEP WRANGLER (TJ)

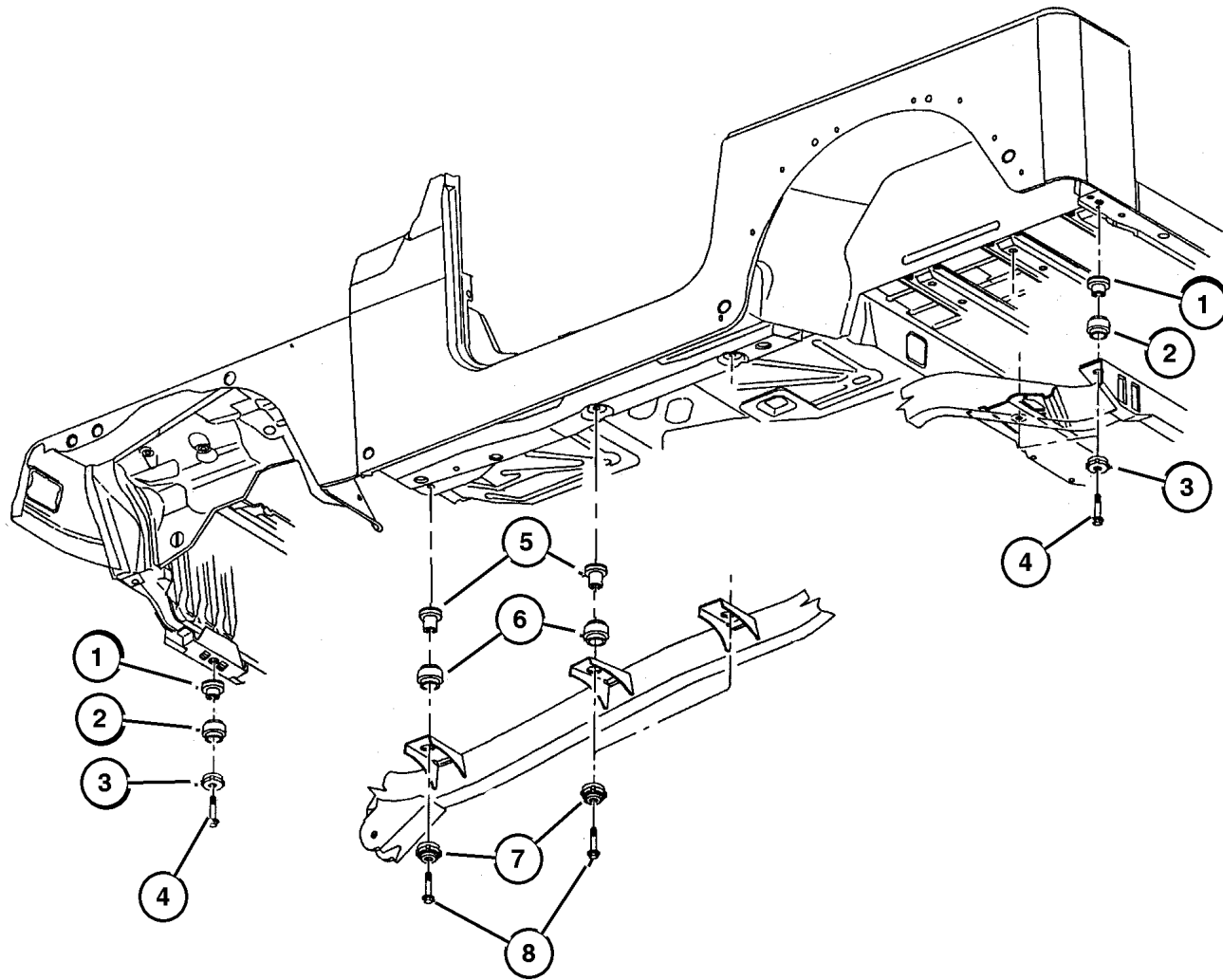
SERIES	LINE	BODY	ENGINE	TRANSMISSION
H = Sport	J = Wrangler 4WD	77 = 93.4 WB	ED1, ED0 = 2.4L DOHC	DGG, DGD = 32RH 3 Spd. Auto.
L = SE	U = Wrangler 4WD (RHD)		ERH = 4.0L Power Tech	DDD = 5 Speed HD Manual
M = X				DG0 = Auto. Trans.
P = Sahara				DBB = Manual Trans.
S = Rubicon				DDK = 5 Speed Manual

AR = Use as required - = Non illustrated part # = New this model year

January 6, 2004

## Body Mounting Hardware Figure 013-510

ITEM	PART NUMBER	QTY	LINE	SERIES	BODY	ENGINE	TRANS	TRIM	DESCRIPTION
1	5200 1961	6							RETAINER, Body Mount
2	5517 6179	5							INSULATOR, Body Hold Down
3	5517 6178	5							INSULATOR, Body Hold Down
4									SCREW, .437-14x.75, Use J4007412, (NOT SERVICED) (Not Serviced)
5	5200 1961	6							RETAINER, Body Mount
6	55176 177AB	6							INSULATOR, Body Hold Down
7	5517 6180	6							INSULATOR, Body Hold Down
8									SCREW, Hex Flange Head, .50-13x3.75, (NOT SERVICED) (Not Serviced)



### JEEP WRANGLER (TJ)

SERIES	LINE	BODY	ENGINE	TRANSMISSION
H = Sport	J = Wrangler 4WD	77 = 93.4 WB	ED1, ED0 = 2.4L DOHC	DGG, DGD = 32RH 3 Spd. Auto.
L = SE	U = Wrangler 4WD (RHD)		ERH = 4.0L Power Tech	DDD = 5 Speed HD Manual
M = X				DG0 = Auto. Trans.
P = Sahara				DBB = Manual Trans.
S = Rubicon				DDK = 5 Speed Manual

AR = Use as required - = Non illustrated part # = New this model year

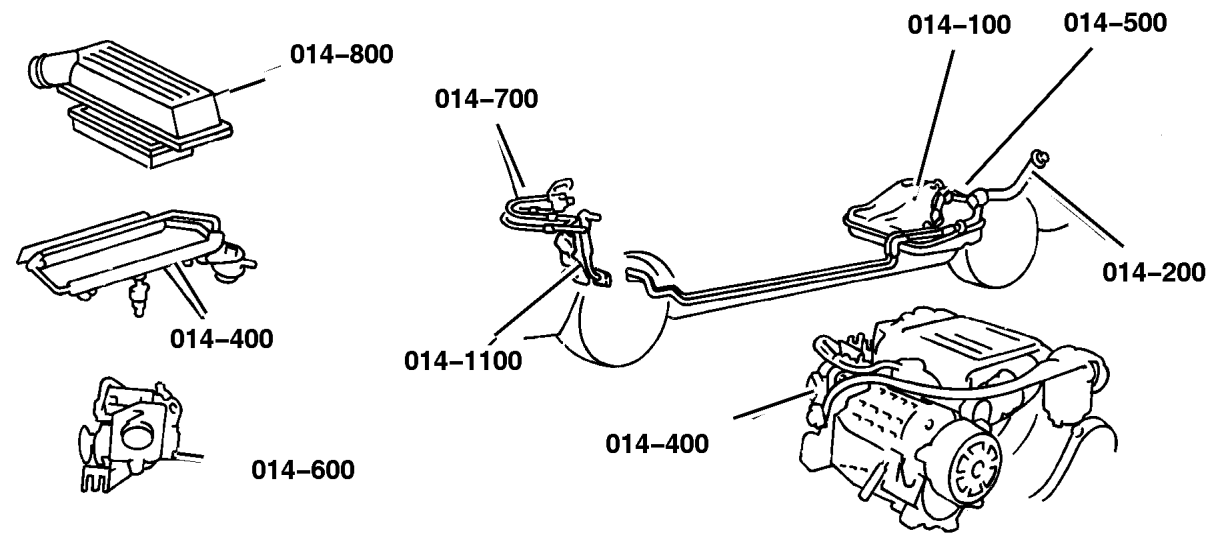
January 6, 2004

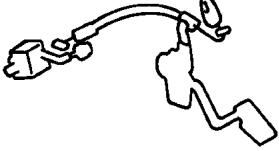

# Group – 014

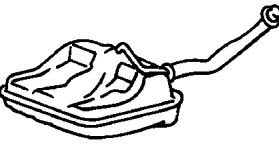
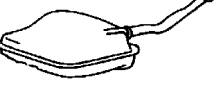

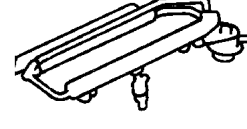
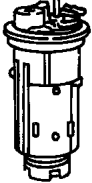

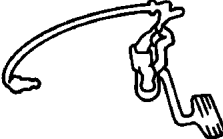
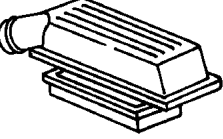
## Fuel

# Group – 014

## Fuel



<p><b>014-1000</b> Speed Control</p> 	<p><b>014-1100</b> Accelerator Pedal</p> 		
--	--	--	--

<p><b>014-100</b> Tank, Fuel</p> 	<p><b>014-200</b> Fuel Tank Filler Tube</p> 	<p><b>014-300</b> Fuel Lines</p> 	<p><b>014-400</b> Fuel Rail</p> 
<p><b>014-500</b> Fuel Pump and Sending Unit</p> 	<p><b>014-600</b> Throttle Body</p> 	<p><b>014-700</b> Throttle Controls</p> 	<p><b>014-800</b> Air Cleaner</p> 

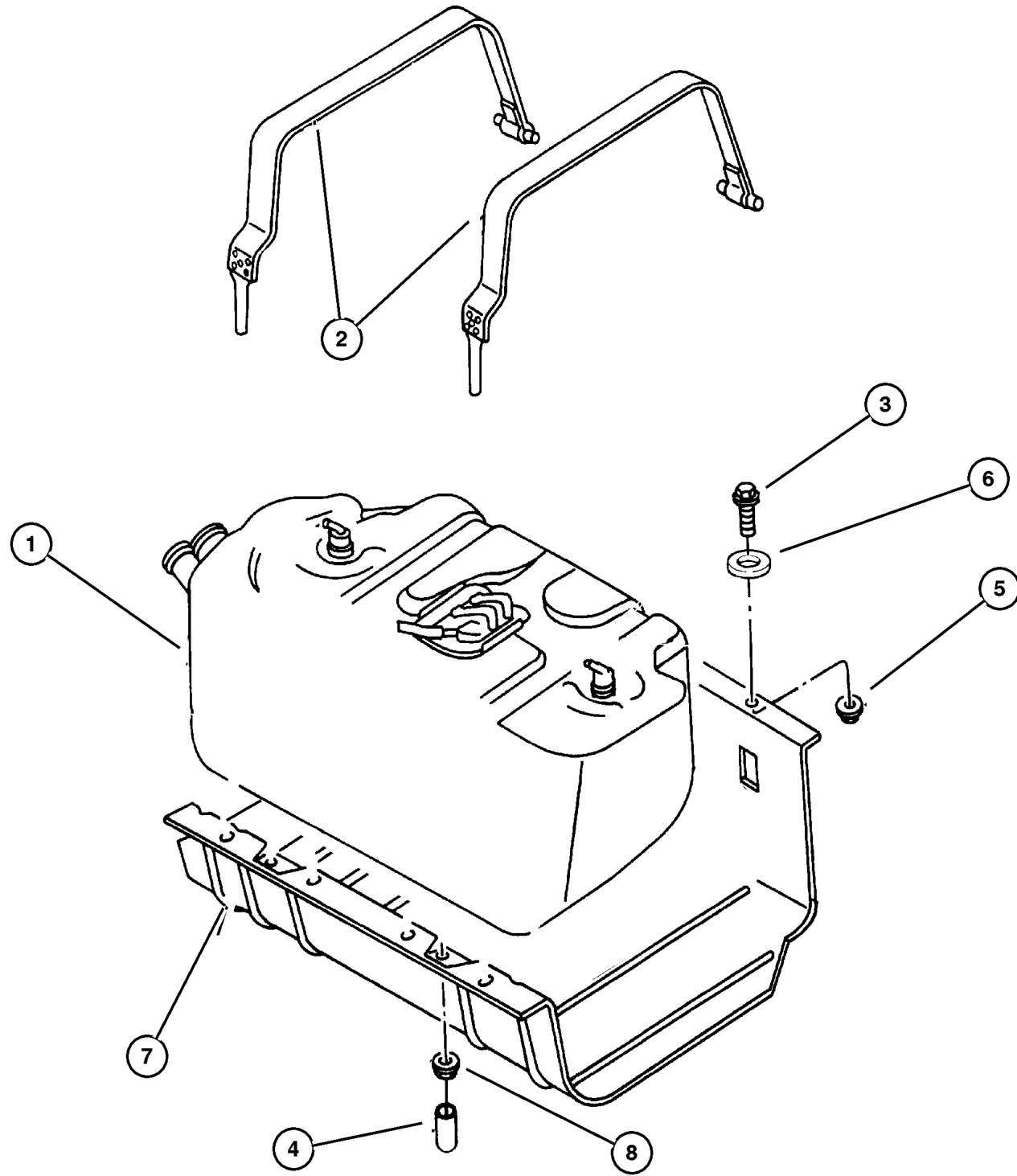


---

## GROUP 14 - Fuel

Illustration Title	Group-Fig. No.
<b>Tank, Fuel</b>	
Fuel Tank, 2.4 (ED1), 4.0 (ERH) .....	Fig. 014-110
<b>Fuel Tank Filler Tube</b>	
Fuel Filler Tube, 2.4 (ED1), 4.0 (ERH) .....	Fig. 014-210
<b>Fuel Lines</b>	
Fuel Lines, Front,2.4 (ED1) 4.0 (ERH) .....	Fig. 014-310
Fuel Lines, Rear, Chassis 2.4L (ED1) 4.0 (ERH) .....	Fig. 014-320
<b>Fuel Rail</b>	
Fuel Injection System, 2.4 (ED1), 4.0 (ERH) .....	Fig. 014-410
<b>Fuel Pump and Sending Unit</b>	
Fuel Module, 2.4 (ED1), 4.0 (ERH) .....	Fig. 014-510
<b>Throttle Body</b>	
Throttle Body, 2.4 (ED1), 4.0 (ERH) .....	Fig. 014-610
<b>Throttle Controls</b>	
Throttle Controls, 2.4 (ED1), 4.0 (ERH) .....	Fig. 014-710
<b>Air Cleaner</b>	
Air Cleaner, 2.4 (ED1), 4.0 (ERH) .....	Fig. 014-810
<b>Speed Control</b>	
Speed Control, 2.4 (ED1), 4.0 (ERH) .....	Fig. 014-1010
<b>Accelerator Pedal</b>	
Accelerator Pedal, 2.4 (ED1), 4.0 (ERH) .....	Fig. 014-1110

Fuel Tank, 2.4 (ED1), 4.0 (ERH)  
Figure 014-110



ITEM	PART NUMBER	QTY	LINE	SERIES	BODY	ENGINE	TRANS	TRIM	DESCRIPTION
NOTE: ED1=All 2.4L Gas Engines ER0=All 4.0L Engines									
1	52100 484AD	1				ED1, ER0			TANK, Fuel
2	52100 235AC	2							STRAP, Fuel Tank
3	J400 5819	7							BOLT, .312-18x.750
4	5201 8098	2							CAP, Support Strap Stud
5	J400 3587	2							NUT, Hex
6	J400 5293	7							RETAINER, Push In Type M6.3 Hole
7	52100 219AB	1							PLATE, Skid, With Sales Code XEE
8	J400 3587	2							NUT, Hex

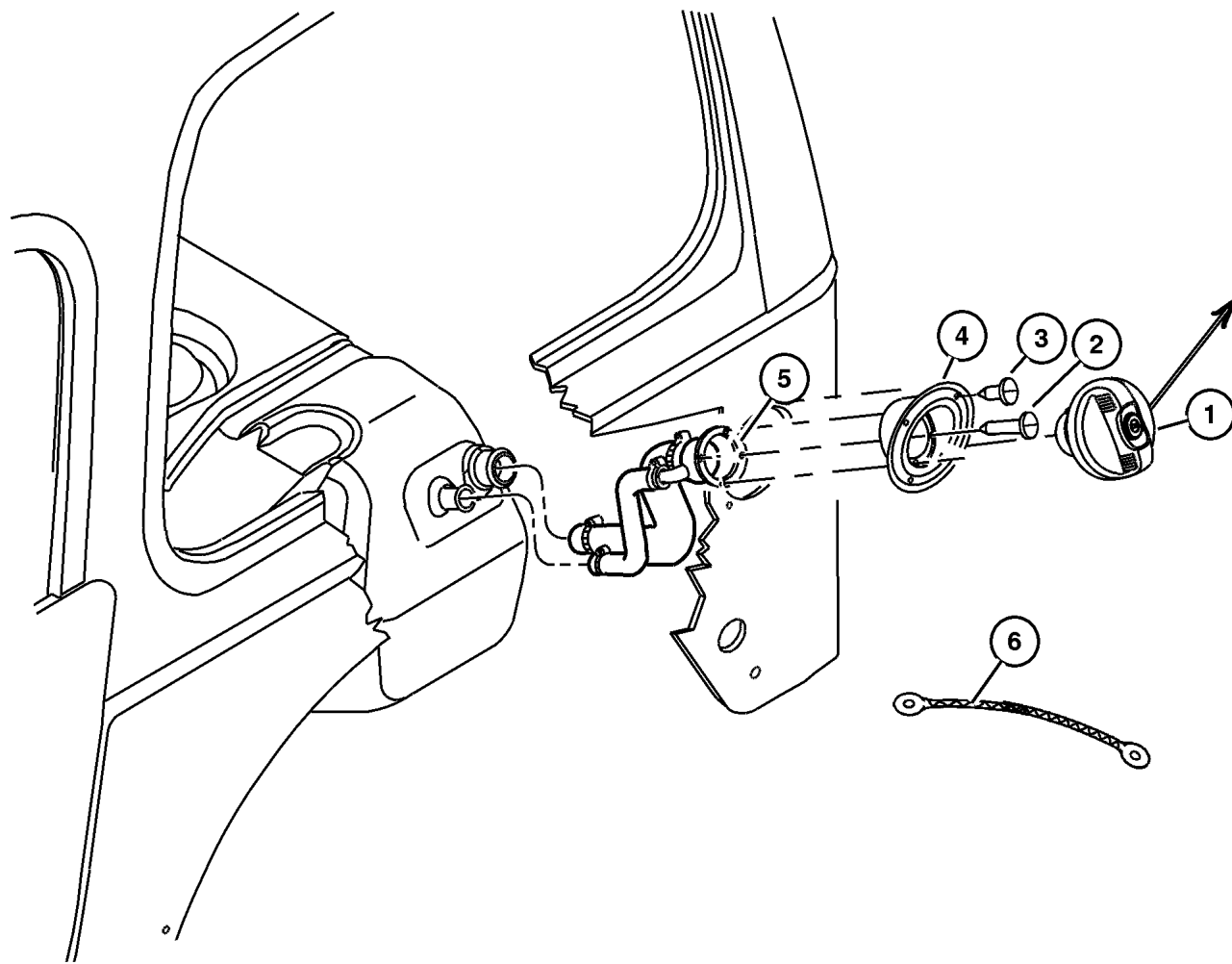
JEEP WRANGLER (TJ)

SERIES	LINE	BODY	ENGINE	TRANSMISSION
H = Sport	J = Wrangler 4WD	77 = 93.4 WB	ED1, ED0 = 2.4L DOHC	DGG, DGD = 32RH 3 Spd. Auto.
L = SE	U = Wrangler 4WD (RHD)		ERH = 4.0L Power Tech	DDD = 5 Speed HD Manual
M = X				DG0 = Auto. Trans.
P = Sahara				DBB = Manual Trans.
S = Rubicon				DDK = 5 Speed Manual

AR = Use as required - = Non illustrated part # = New this model year

January 6, 2004

Fuel Filler Tube, 2.4 (ED1), 4.0 (ERH)  
Figure 014-210



ITEM	PART NUMBER	QTY	LINE	SERIES	BODY	ENGINE	TRANS	TRIM	DESCRIPTION
NOTE: EP0=All 2.5L Gas Engines ER0=All 4.0L Engines									
1	52100 552AE	1	J						CAP, Fuel Filler [Non Locking Quick on]
	52100 553AE	1							Export
2	0153 832	4			77				SCREW, .190-16x1.00
3	0153 651	4			77				SCREW AND WASHER, .190-16x.500
4	52127 675AE	1							HOUSING, Fuel Filler
5	52100 495AF	1			77	ED1, ER0			TUBE, Fuel Filler
6	5600 9161	1							STRAP, Ground
-7	5015 636AB	1							CAP KIT, Fuel Tank Locking

JEEP WRANGLER (TJ)

SERIES	LINE	BODY	ENGINE	TRANSMISSION
H = Sport	J = Wrangler 4WD	77 = 93.4 WB	ED1, ED0 = 2.4L DOHC	DGG, DGD = 32RH 3 Spd. Auto.
L = SE	U = Wrangler 4WD (RHD)		ERH = 4.0L Power Tech	DDD = 5 Speed HD Manual
M = X				DG0 = Auto. Trans.
P = Sahara				DBB = Manual Trans.
S = Rubicon				DDK = 5 Speed Manual

AR = Use as required - = Non illustrated part # = New this model year

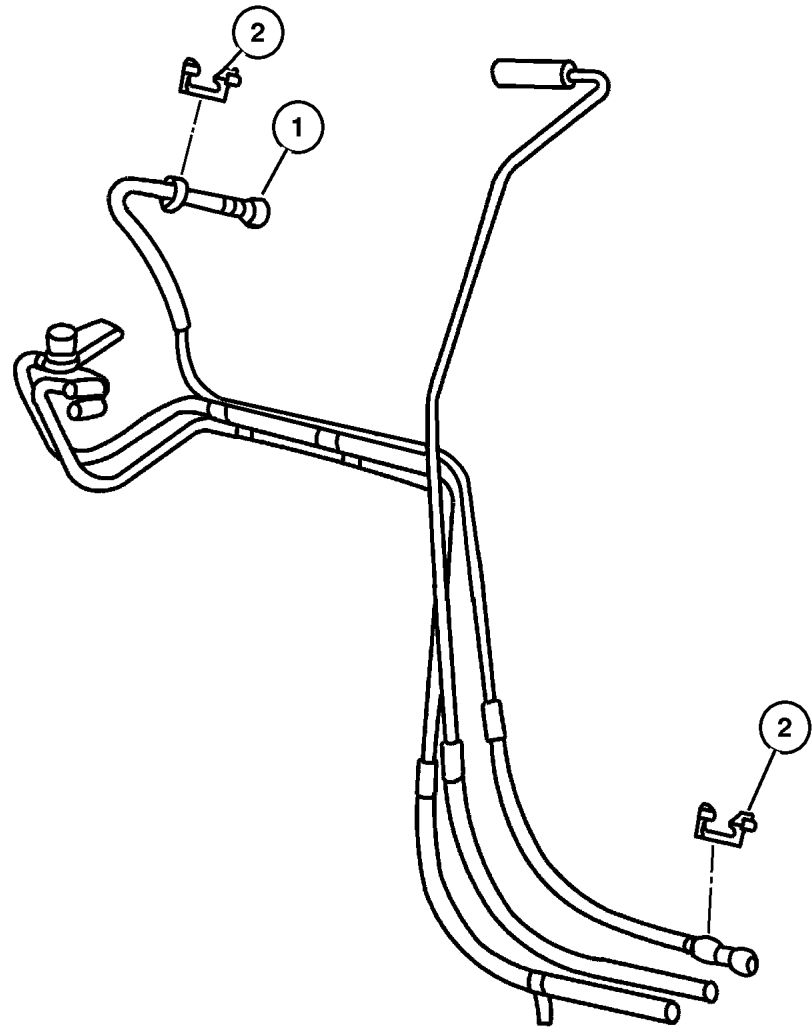
January 6, 2004

Fuel Lines, Front, 2.4 (ED1) 4.0 (ERH)  
Figure 014-310

ITEM	PART NUMBER	QTY	LINE	SERIES	BODY	ENGINE	TRANS	TRIM	DESCRIPTION
------	-------------	-----	------	--------	------	--------	-------	------	-------------

Note; ERO= All 4.0 Gas Engines

1									BUNDLE, Fuel Line
	52100 493AE	1				ERO			
	52100 490AF	1			77	ED0			
	#56052 343AA	1	J		78	ERO			
2									CLIP, Fuel
	52850 680AA	2				ED0			
		2				ERO			



JEEP WRANGLER (TJ)

SERIES	LINE	BODY	ENGINE	TRANSMISSION
H = Sport	J = Wrangler 4WD	77 = 93.4 WB	ED1, ED0 = 2.4L DOHC	DGG, DGD = 32RH 3 Spd. Auto.
L = SE	U = Wrangler 4WD (RHD)		ERH = 4.0L Power Tech	DDD = 5 Speed HD Manual
M = X				DG0 = Auto. Trans.
P = Sahara				DBB = Manual Trans.
S = Rubicon				DDK = 5 Speed Manual

AR = Use as required - = Non illustrated part # = New this model year

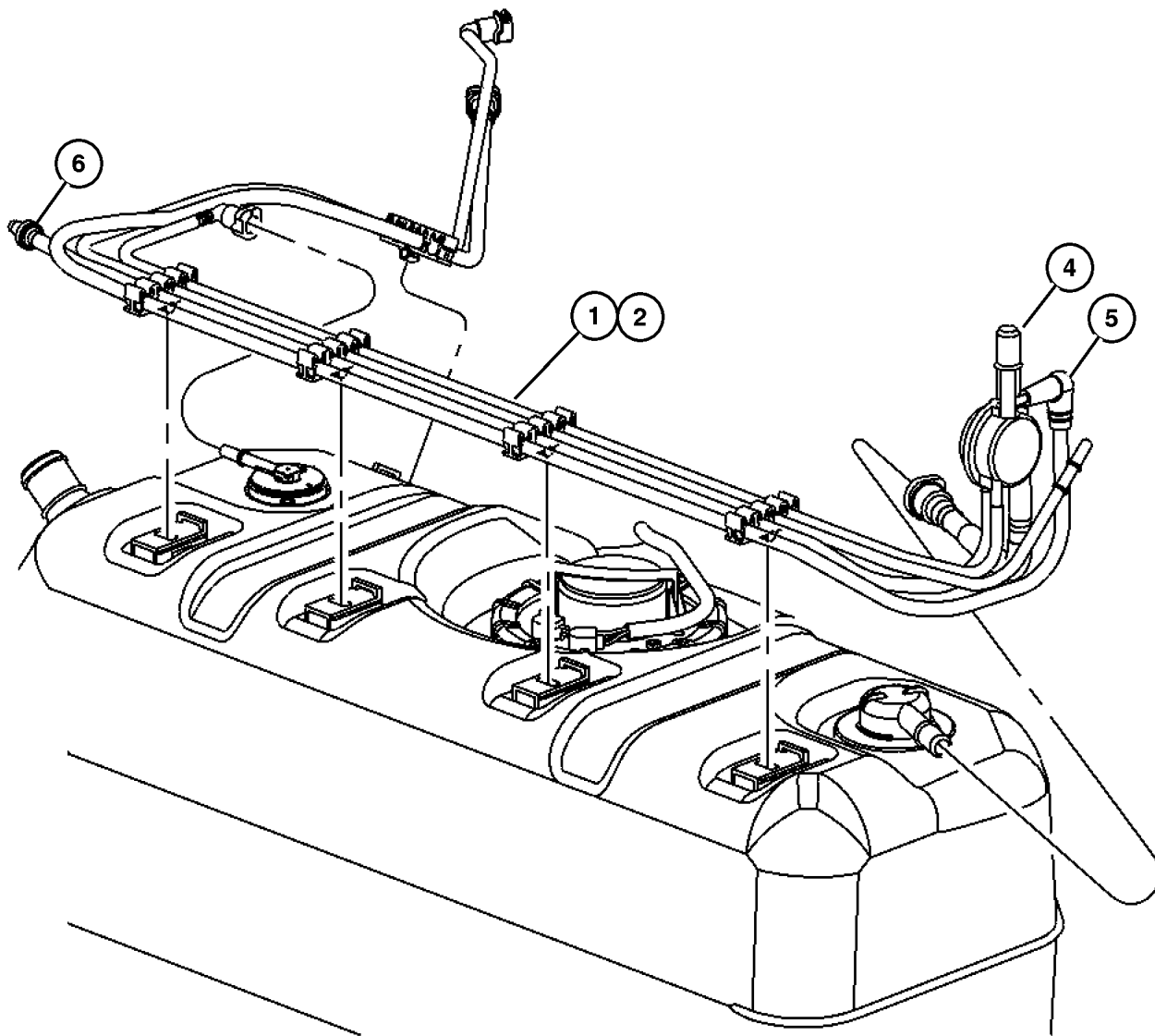
January 6, 2004

**Fuel Lines, Rear, Chassis 2.4L (ED1) 4.0 (ERH)  
Figure 014-320**

ITEM	PART NUMBER	QTY	LINE	SERIES	BODY	ENGINE	TRANS	TRIM	DESCRIPTION
------	-------------	-----	------	--------	------	--------	-------	------	-------------

Note; ED0= All 2.4L 4 Cylinder Gas Engines  
ER0= All 4.0L 6 Cylinder Gas Engines

1	52100 489AE	1				ED0, ER0			BUNDLE, Fuel Supply and Vapor Lines
2	#56052 343AA	1	J		78	ER0			BUNDLE, Fuel Line
-3	52100 491AE	1				ED0, ER0			BUNDLE, Fuel Line
4									VALVE, Flow Control, (NOT SERVICED) (Not Serviced)
5									CONNECTOR, (NOT SERVICED) (Not Serviced)
6									CHECK VALVE, Fuel, (NOT SERVICED) (Not Serviced)



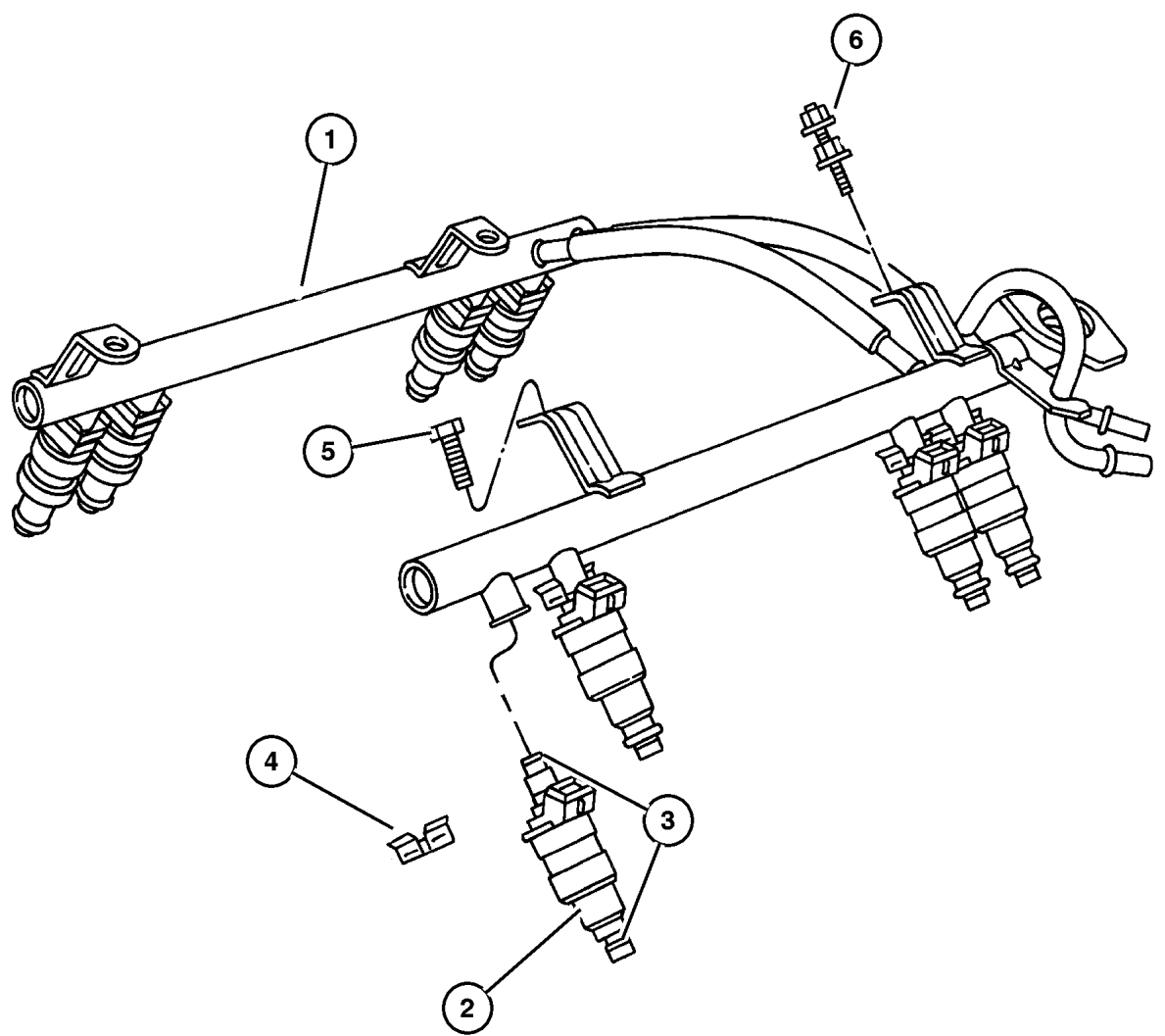
**JEEP WRANGLER (TJ)**  
 SERIES                      LINE                      BODY                      ENGINE                      TRANSMISSION  
 H = Sport                      J = Wrangler 4WD                      77 = 93.4 WB                      ED1, ED0 = 2.4L DOHC                      DGG, DGD = 32RH 3 Spd.  
 L = SE                              U = Wrangler 4WD (RHD)    ERH = 4.0L Power Tech    Auto.  
 M = X  
 P = Sahara  
 S = Rubicon  
 DDD = 5 Speed HD Manual  
 DG0 = Auto. Trans.  
 DBB = Manual Trans.  
 DDK = 5 Speed Manual

AR = Use as required   - = Non illustrated part   # = New this model year

January 6, 2004

**Fuel Injection System, 2.4 (ED1), 4.0 (ERH)  
Figure 014-410**

ITEM	PART NUMBER	QTY	LINE	SERIES	BODY	ENGINE	TRANS	TRIM	DESCRIPTION
NOTE: EDO=All 2.4L Gas Engines ERO=All 4.0L Engines									
1	5014 496AC	1				ERO			RAIL, Fuel
	5072 484AB	1				EDO			
2									INJECTOR, Fuel
	4854 181	6				ERO			
	53013 490AA	4				EDO			
3									O RING KIT, Fuel Injector
	#5103 149AA	4				EDO			
	4897 125AA	6				ERO			
4									CLIP, Fuel Injector
	53013 504AB	4				EDO			
	4418 257AB	6				ERO			
5	6501 979	2				ERO			SCREW AND WASHER, Hex Head, M6x1x17
6	6502 647	2				ERO			STUD, M6x1.00x44



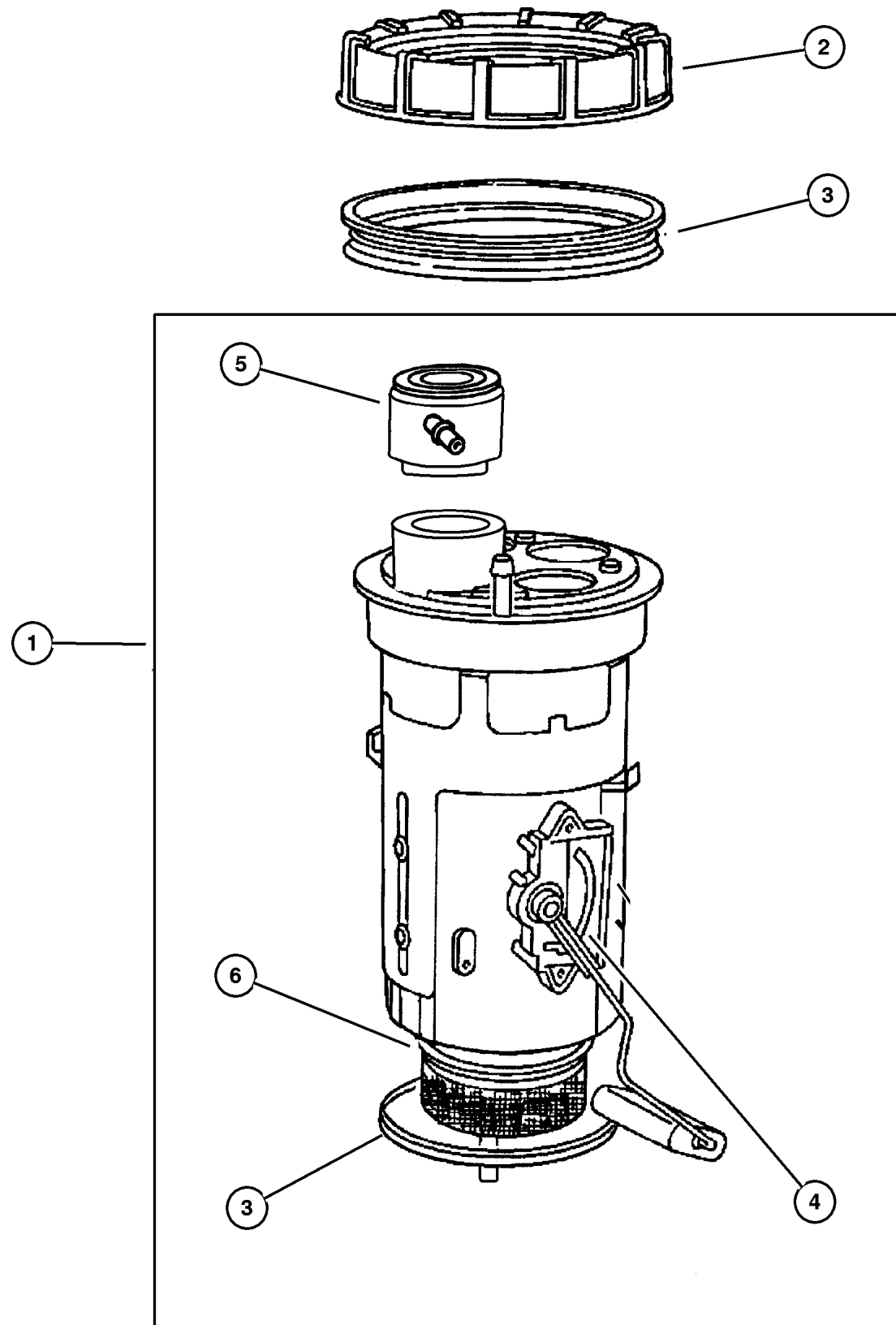
**JEEP WRANGLER (TJ)**

SERIES	LINE	BODY	ENGINE	TRANSMISSION
H = Sport	J = Wrangler 4WD	77 = 93.4 WB	ED1, ED0 = 2.4L DOHC	DGG, DGD = 32RH 3 Spd. Auto.
L = SE	U = Wrangler 4WD (RHD)		ERH = 4.0L Power Tech	DDD = 5 Speed HD Manual
M = X				DG0 = Auto. Trans.
P = Sahara				DBB = Manual Trans.
S = Rubicon				DDK = 5 Speed Manual

AR = Use as required - = Non illustrated part # = New this model year

January 6, 2004

Fuel Module, 2.4 (ED1), 4.0 (ERH)  
Figure 014-510



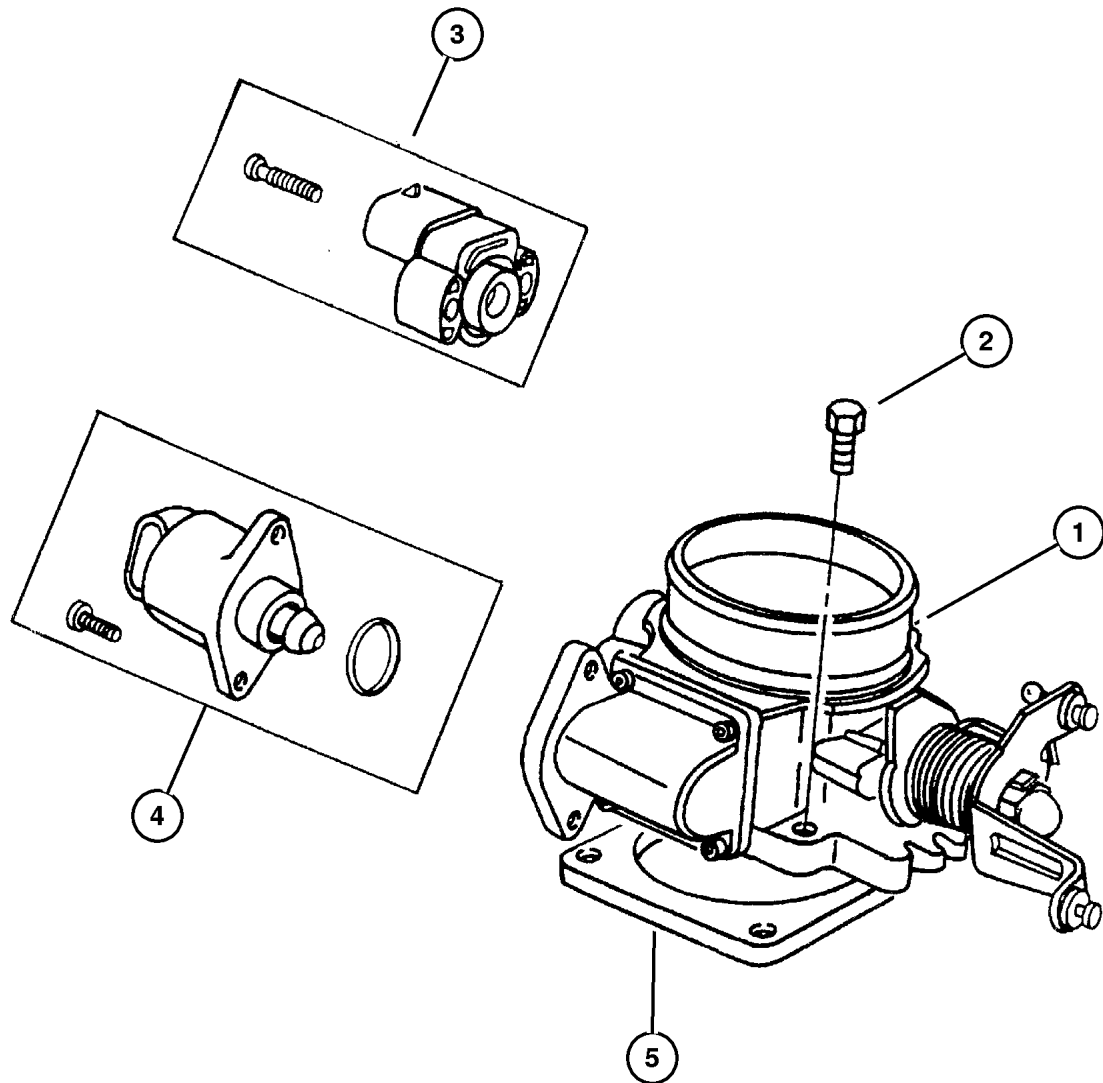
ITEM	PART NUMBER	QTY	LINE	SERIES	BODY	ENGINE	TRANS	TRIM	DESCRIPTION
NOTE: ED0=All 2.4L Gas Engines ER0=All 4.0L Engines									
1	5093 788AA	1				ED1, ER0			MODULE PACKAGE, Fuel Tank
2	5200 5389	1				ED1, ER0			NUT, Fuel Pump Module
3	5201 8808	1				ED1, ER0			SEAL, Fuel Pump and Level Unit
4	4897 757AC	1				ED1, ER0			LEVEL UNIT PACKAGE, Fuel
5	4798 301	1				ED1, ER0			FILTER, Fuel
6									FILTER, Fuel Module, Serviced in Module Assembly, (NOT SERVICED) (Not Serviced)

<b>JEEP WRANGLER (TJ)</b>				
SERIES	LINE	BODY	ENGINE	TRANSMISSION
H = Sport	J = Wrangler 4WD	77 = 93.4 WB	ED1, ED0 = 2.4L DOHC	DGG, DGD = 32RH 3 Spd. Auto.
L = SE	U = Wrangler 4WD (RHD)		ERH = 4.0L Power Tech	DDD = 5 Speed HD Manual
M = X				DG0 = Auto. Trans.
P = Sahara				DBB = Manual Trans.
S = Rubicon				DDK = 5 Speed Manual

AR = Use as required - = Non illustrated part # = New this model year

January 6, 2004

**Throttle Body, 2.4 (ED1), 4.0 (ERH)  
Figure 014-610**



ITEM	PART NUMBER	QTY	LINE	SERIES	BODY	ENGINE	TRANS	TRIM	DESCRIPTION
NOTE: ED1=All 2.4L Gas Engines ER0=All 4.0L Engines									
1									THROTTLE BODY
	5134 788AA	1				ED0			
	5134 741AA	1				ER0			
2	6503 929	4				ER0			SCREW AND WASHER, Coned Pilot, M6x1x30
3									SENSOR KIT, Throttle Position
	#5019 411AC	1				ED0			
		1				ER0			
4									MOTOR, Air Idle Speed
	4591 611AA	1				ED0			
	4874 373AB	1				ER0			
5	5300 7543	1				ER0			GASKET, Throttle Body
-6	5300 9672	1				ER0			CONNECTOR, Emission Hose

**JEEP WRANGLER (TJ)**

SERIES	LINE	BODY	ENGINE	TRANSMISSION
H = Sport	J = Wrangler 4WD	77 = 93.4 WB	ED1, ED0 = 2.4L DOHC	DGG, DGD = 32RH 3 Spd. Auto.
L = SE	U = Wrangler 4WD (RHD)		ERH = 4.0L Power Tech	DDD = 5 Speed HD Manual
M = X				DG0 = Auto. Trans.
P = Sahara				DBB = Manual Trans.
S = Rubicon				DDK = 5 Speed Manual

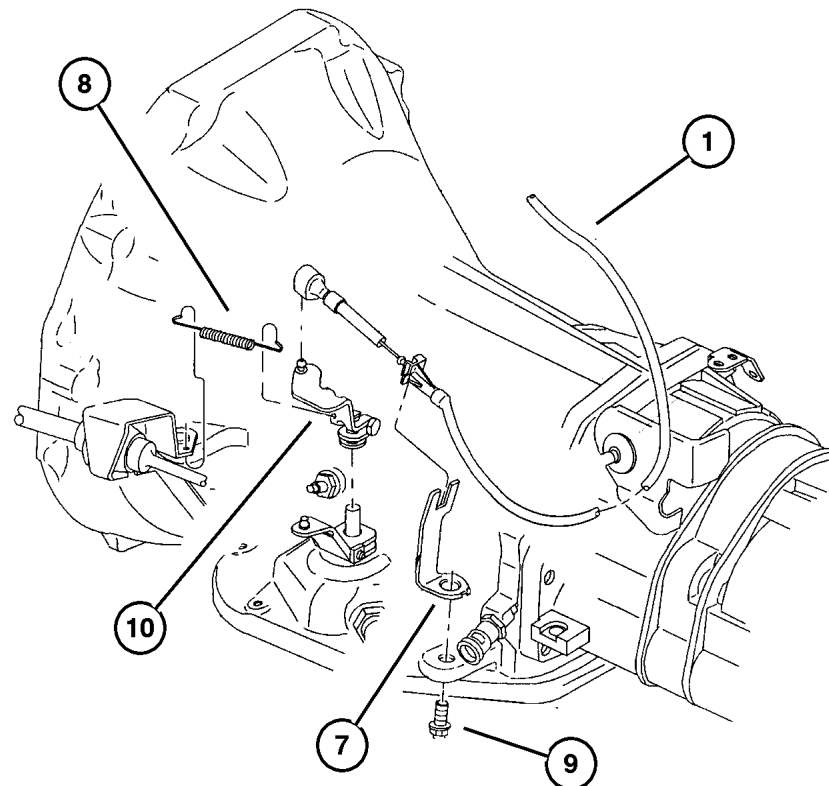
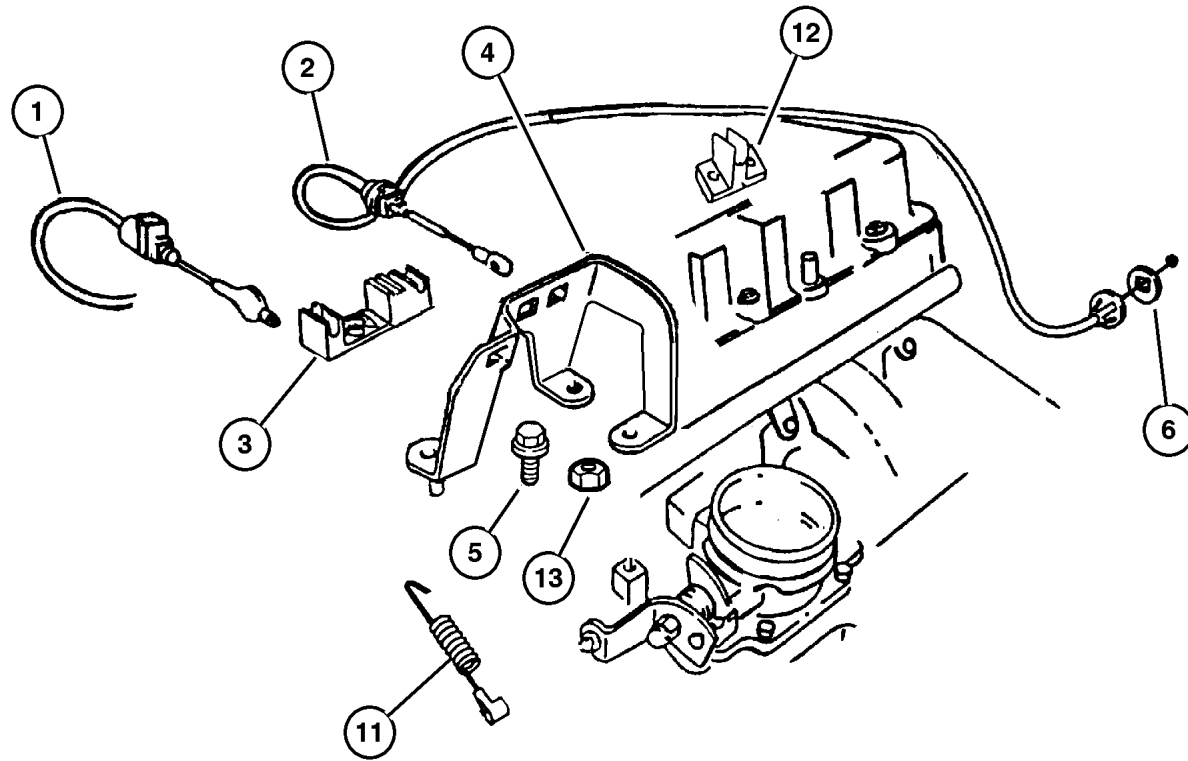
AR = Use as required - = Non illustrated part # = New this model year

January 6, 2004



Throttle Controls, 2.4 (ED1), 4.0 (ERH)  
Figure 014-710

ITEM	PART NUMBER	QTY	LINE	SERIES	BODY	ENGINE	TRANS	TRIM	DESCRIPTION
NOTE: ED1=All 2.4L Gas Engines ER0=All 4.0L Engines DBB=All Manual Transmissions DG0=All Automatic Transmissions									
1									CABLE, Throttle Valve, (NOT REQUIRED)
2									CABLE, Accelerator
	4854 137	1				ER0			
	52109 501AB	1	J			ED0			
3	5207 9029	1				ER0			GUIDE, Accelerator Cable
4	53013 160AA	1				ER0			BRACKET, Accelerator Cable
5	6501 979	2				ER0			SCREW AND WASHER, Hex Head, M6x1x17
6									PLUG, Access Hole, (NOT REQUIRED)
7	52127 952AC	1							BRACKET, Cable
8	52078 102AB	1				ER0	DBB		SPRING, Throttle Return
9	6501 979	2				ER0			SCREW AND WASHER, Hex Head, M6x1x17
10									LEVER, Throttle Valve, (NOT REQUIRED)
11	52078 102AB	1				ER0	DBB		SPRING, Throttle Return
12	52109 563AA	1	J			ER0			GUIDE, Accelerator Cable
13	6100 047	1				ED0			NUT AND WASHER, Hex Nut-Coned Washer, M6 x 1.00
-14	53013 681AA	AR							CLIP, Locking, Accelerator Cable
-15	53013 682AA	AR							CLIP, Push In



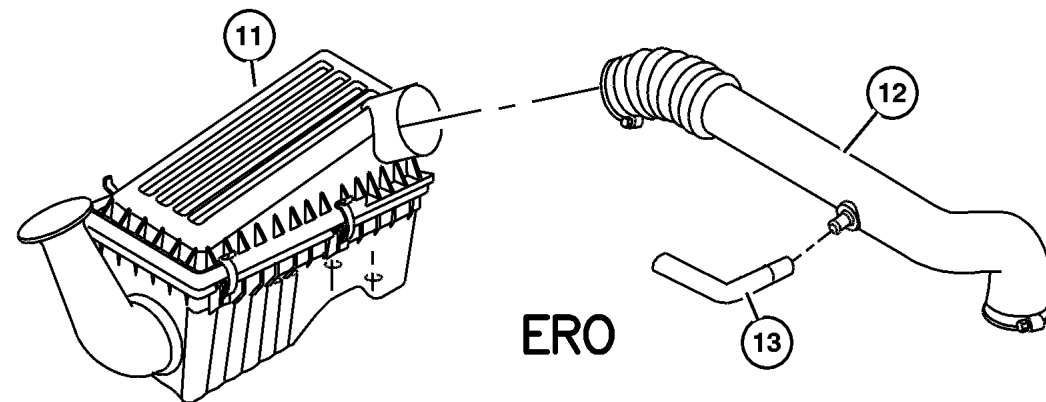
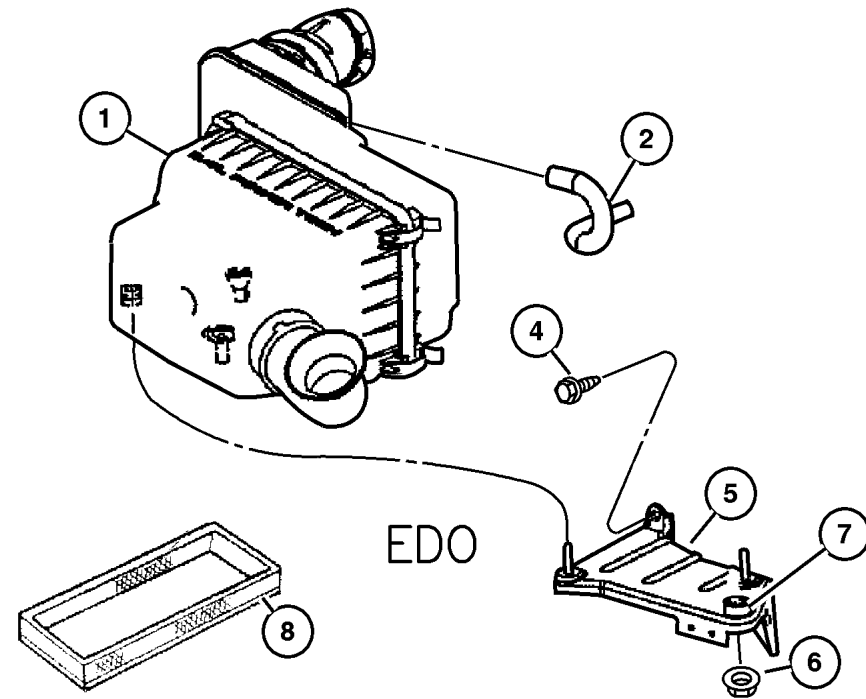
JEEP WRANGLER (TJ)

SERIES	LINE	BODY	ENGINE	TRANSMISSION
H = Sport	J = Wrangler 4WD	77 = 93.4 WB	ED1, ED0 = 2.4L DOHC	DGG, DGD = 32RH 3 Spd. Auto.
L = SE	U = Wrangler 4WD (RHD)		ERH = 4.0L Power Tech	DDD = 5 Speed HD Manual
M = X				DG0 = Auto. Trans.
P = Sahara				DBB = Manual Trans.
S = Rubicon				DDK = 5 Speed Manual

AR = Use as required - = Non illustrated part # = New this model year

January 6, 2004

**Air Cleaner, 2.4 (ED1), 4.0 (ERH)  
Figure 014-810**



ITEM	PART NUMBER	QTY	LINE	SERIES	BODY	ENGINE	TRANS	TRIM	DESCRIPTION
NOTE: ED1=All 2.4L Gas Engines ER0=All 4.0L Engines									
1	#53013 501AB	1				ED0			BODY, Air Cleaner
2	53013 093AA	1				ED0			TUBE, Crankcase Vent To Air Cleaner
-3	53013 502AA	1				ED0			INLET, Fresh Air
4	6503 692	2				ED0			SCREW, M8-1.25
5	53013 473AA	1				ED0			BRACKET, Air Cleaner
6	6501 483	1				ED0			NUT, Hex Flange, M8x1.25
7	53013 357AA	1				ED0			GROMMET, Air Cleaner
8									FILTER, Air
	4797 777AC	1				ER0			
	5019 443AA	1				ED0			
-9									CLAMP, Hose to Throttle Body
	53013 475AA	1				ED0			
	53013 778AA	1				ER0			
-10									CLAMP, Hose to Air Cleaner
	53013 476AA	1				ED0			
	53013 777AA	1				ER0			
11	53013 650AA	1				ER0			AIR CLEANER
12	5303 0611	1				ER0			HOSE, Air Cleaner
13	5303 0615	1				ER0			TUBE, Crankcase Vent Valve
-14	6101 444	3				ER0			NUT AND WASHER, Hex, M6x1.0

**JEEP WRANGLER (TJ)**

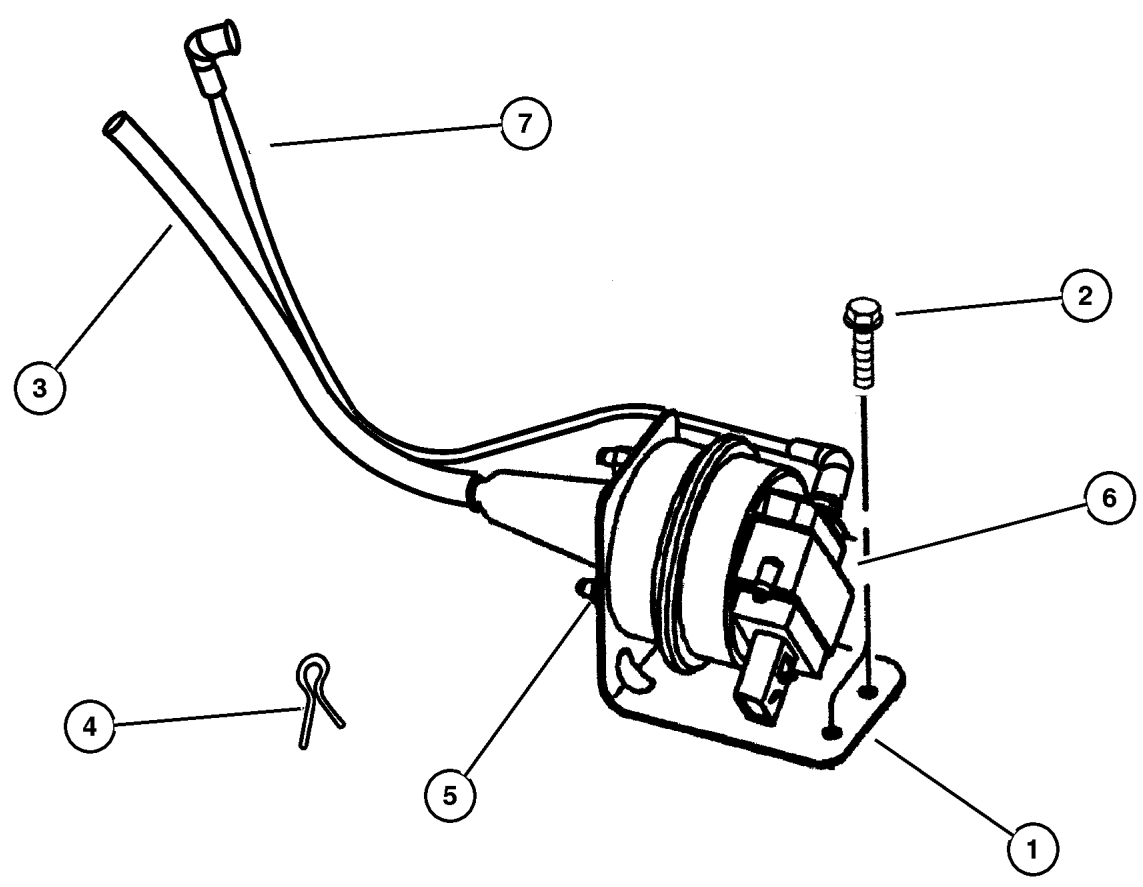
SERIES	LINE	BODY	ENGINE	TRANSMISSION
H = Sport	J = Wrangler 4WD	77 = 93.4 WB	ED1, ED0 = 2.4L DOHC	DGG, DGD = 32RH 3 Spd. Auto.
L = SE	U = Wrangler 4WD (RHD)		ERH = 4.0L Power Tech	DDD = 5 Speed HD Manual
M = X				DG0 = Auto. Trans.
P = Sahara				DBB = Manual Trans.
S = Rubicon				DDK = 5 Speed Manual

AR = Use as required - = Non illustrated part # = New this model year

January 6, 2004

**Speed Control, 2.4 (ED1), 4.0 (ERH)  
Figure 014-1010**

ITEM	PART NUMBER	QTY	LINE	SERIES	BODY	ENGINE	TRANS	TRIM	DESCRIPTION
Note; ED1= 2.4 Gas Engines, ERO= All 4.0 Gas Engines.									
1	52109 523AB	1				ED1			BRACKET, Speed Control Servo
		1				ER0			
2									SCREW, M6x1.00x20.00, (NOT SERVICED) (Not Serviced)
3	52109 524AC	1				ER0			CABLE, Speed Control
	52109 527AB	1				ED1			
4	6025 867	1				ER0			CLIP, Cable to Servo Attach
		1				ED1			
5	6502 493	2				ER0			NUT, Hex Flange Serration, M6x1
		2				ED1			
6	4669 979	1				ER0			SERVO, Speed Control
		1				ED1			
7	52109 525AB	1				ER0			HARNESS, Speed Control Vacuum
	52109 529AC	1				ED1			
-8	5303 0003	1				ER0			CONNECTOR, Vacuum, .15x.188 Straight



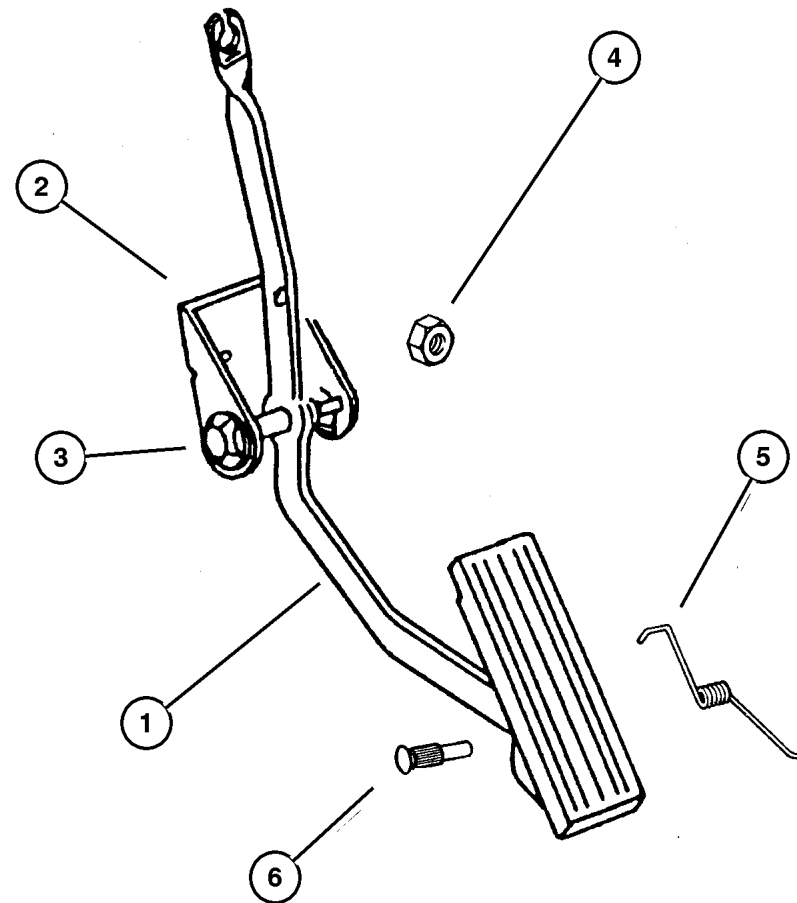
**JEEP WRANGLER (TJ)**

SERIES	LINE	BODY	ENGINE	TRANSMISSION
H = Sport	J = Wrangler 4WD	77 = 93.4 WB	ED1, ED0 = 2.4L DOHC	DGG, DGD = 32RH 3 Spd. Auto.
L = SE	U = Wrangler 4WD (RHD)		ERH = 4.0L Power Tech	DDD = 5 Speed HD Manual
M = X				DG0 = Auto. Trans.
P = Sahara				DBB = Manual Trans.
S = Rubicon				DDK = 5 Speed Manual

AR = Use as required - = Non illustrated part # = New this model year

January 6, 2004

**Accelerator Pedal, 2.4 (ED1), 4.0 (ERH)  
Figure 014-1110**



ITEM	PART NUMBER	QTY	LINE	SERIES	BODY	ENGINE	TRANS	TRIM	DESCRIPTION
NOTE: ED1=I 24L Gas Engines ER0=All 4.0L Engines									
1									PEDAL, Accelerator
	5207 8714	1	J			ED0, ER0			
	5207 8715	1	U		77	ED0, ER0			
2									BRACKET, Accelerator Cable, Serviced in Pedal Assembly, (NOT SERVICED) (Not Serviced)
3									BUSHING, Accelerator Pedal
	5207 8653	2	J			ED0, ER0			
		2	U		77	ED0, ER0			
4	3420 1680	2							NUT, Hex Flange, M6x1
5									SPRING, Torsion
	5303 0874	1	J			ED0, ER0			
		1	U		77	ED0, ER0			
6									PIN, Accelerator Pedal Mtg.
	5207 9019	1	J			ED0, ER0			
		1	U		77	ED0, ER0			

**JEEP WRANGLER (TJ)**

SERIES	LINE	BODY	ENGINE	TRANSMISSION
H = Sport	J = Wrangler 4WD	77 = 93.4 WB	ED1, ED0 = 2.4L DOHC	DGG, DGD = 32RH 3 Spd. Auto.
L = SE	U = Wrangler 4WD (RHD)		ERH = 4.0L Power Tech	DDD = 5 Speed HD Manual
M = X				DG0 = Auto. Trans.
P = Sahara				DBB = Manual Trans.
S = Rubicon				DDK = 5 Speed Manual

AR = Use as required - = Non illustrated part # = New this model year

January 6, 2004

# Group – 016

## Propeller Shafts and U-Joints

### GROUP 16 - Propeller Shafts and U-Joints

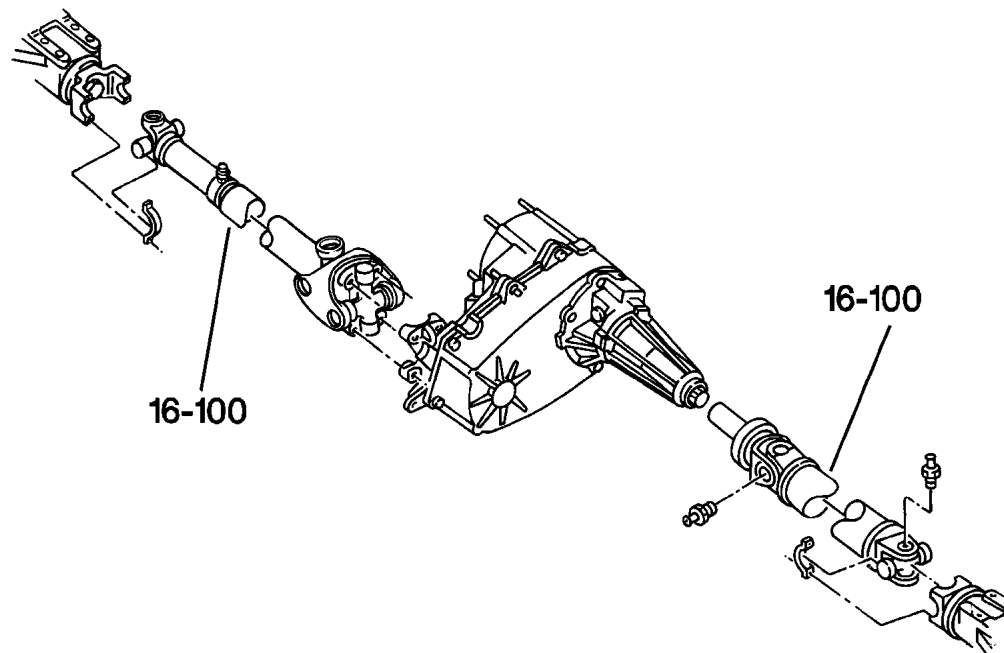
Illustration Title

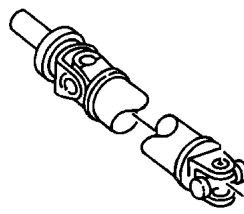
Group-Fig. No.

#### Propeller Shaft

Propshaft,Front and Rear

Fig. 016-110



<p><b>016-100</b> Propeller Shaft</p> 			
---	--	--	--

## Propshaft, Front and Rear Figure 016-110

ITEM	PART NUMBER	QTY	LINE	SERIES	BODY	ENGINE	TRANS	TRIM	DESCRIPTION
------	-------------	-----	------	--------	------	--------	-------	------	-------------

Note: Sales Codes;

[DBB]=Transmissions - All Manual

[DDK]=Transmission - 5-Speed Heavy Duty Manual

[DG0]=Transmissions - All Automatic

[DG6]=Transmission 4-Speed Automatic, 42RL

[DHN]= Command-Trac Part Time 4WD System

[DHW]=4:1 Rock-Trac HD Part Time 4WD System

[DRJ]=Axle - Rear, Dana M35/194MM

[DRK]=Axle - Rear, Dana 44/226MM

[ED0]=Engines - All 2.2L, 2.5L, 2.4L 4 Cylinder Gas

[ER0]=Engines - All 4.0L 6 Cylinder Gas

1									YOKE, Drive Shaft
	4882 714	1				ER0			[DRJ]
		1			77	ER0			[DRK,DHN]
		1	J		78	ER0			[DRK,DHN]
		1				ED0	DG0		[DRJ]
		1				ED0	DBB		[DRJ]
	#5093 821AB	1				ER0			[DRK,DHW]
2									SHAFT, Drive, Rear 1-Piece
	52098 784AC	1				ER0			[DRJ]
	52098 787AC	1			77	ER0			[DRK,DHN]
	#52853 160AA	1	J		78	ER0			[DRK,DHN]
	52853 405AA	1				ED0	DG0		[DRJ]
	52853 407AA	1				ED0	DBB		[DRJ]
	#52853 410AC	1				ER0			[DRK,DHW]
3									U JOINT
	4882 793	2				ER0			[DRJ]
		2			77	ER0			[DRK,DHN]
	5015 694AA	2	J		78	ER0			[DRK,DHN]
		2				ED0	DG0		[DRJ]
		2				ED0	DBB		[DRJ]
	5093 377AA	1				ER0			[DRK,DHW], Front
	5093 820AA	1				ER0			[DRK,DHW], Rear
-4									RING, U Joint
	J320 7886	4				ER0			[DRJ]
		4			77	ER0			[DRK,DHN]
		4	J		78	ER0			[DRK,DHN]
		4				ED0	DG0		[DRJ]
		4				ED0	DBB		[DRJ]
-5	5093 823AA	1				ER0			BOOT, Drive Shaft, [DRK,DHW]
-6	5093 824AA	1				ER0			FLANGE, Drive Shaft, [DRK,DHW] On Rear of Rear Drive Shaft

### JEEP WRANGLER (TJ)

SERIES

H = Sport

L = SE

M = X

P = Sahara

S = Rubicon

LINE

J = Wrangler 4WD

U = Wrangler 4WD (RHD)

BODY

77 = 93.4 WB

ENGINE

ED1, ED0 = 2.4L DOHC

ERH = 4.0L Power Tech

TRANSMISSION

DGG, DGD = 32RH 3 Spd.

Auto.

DDD = 5 Speed HD Manual

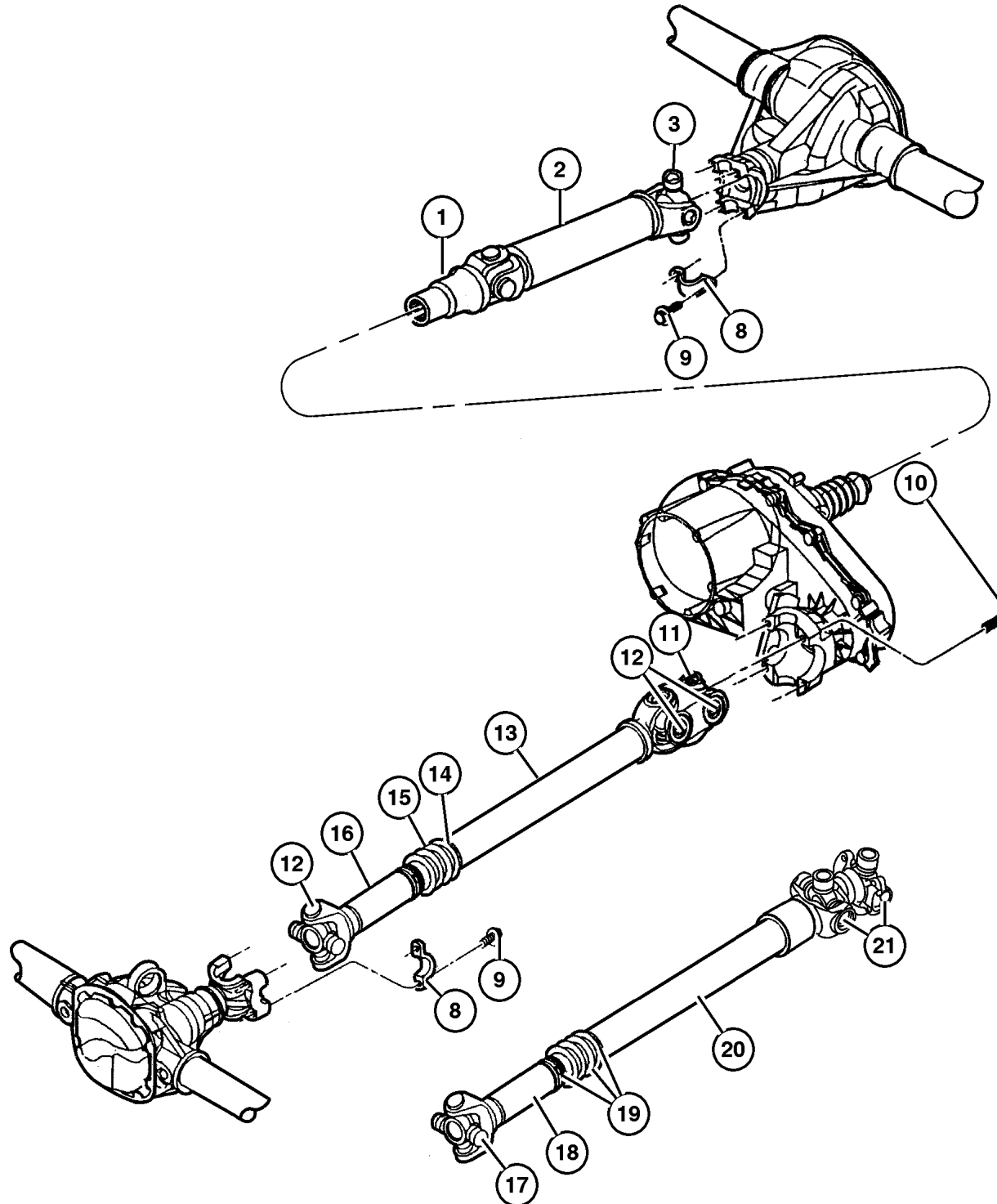
DG0 = Auto. Trans.

DBB = Manual Trans.

DDK = 5 Speed Manual

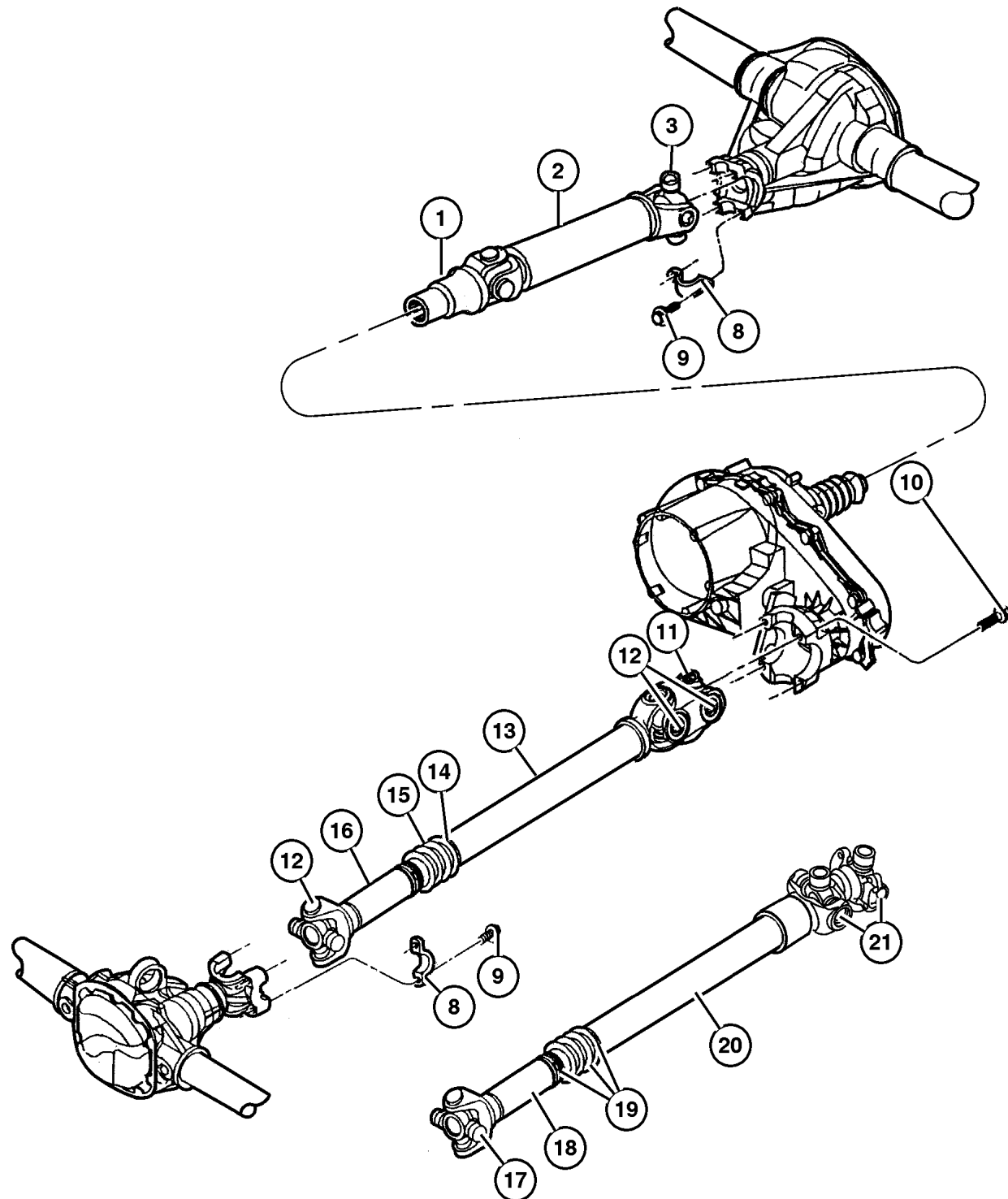
AR = Use as required - = Non illustrated part # = New this model year

January 6, 2004



**Propshaft,Front and Rear  
Figure 016-110**

ITEM	PART NUMBER	QTY	LINE	SERIES	BODY	ENGINE	TRANS	TRIM	DESCRIPTION
-7	6506 497AA	4							BOLT, Hex Head, M12, [DRK,DHW] Flange to Rear Axle Yoke, Mounting
8	J324 0553	2							STRAP, Prop Shaft, Mounting
9	J400 6928	4							BOLT, Prop Shaft, Mounting
10	6036 415AA	4							BOLT, Transfer Case Yoke to Front Drive Shaft, Mounting
11	J320 7886	4				ER0			RING, U Joint [DHN]
		4				ED0	DG0		
		4				ED0	DBB		U JOINT [DHN]
12	5015 694AA	3				ER0			
		3				ED0	DG0		
		3			77	ED0	DBB		
13	52098 377AE	1				ER0			SHAFT, Drive, Front [DHN]
	52853 401AB	1				ED0	DG0		
	52853 402AB	1				ED0	DBB		
14	5013 626AA	1				ER0			CLAMP, Boot [DHN], Small
	5013 625AA	1				ER0			[DHN], Large
	5013 626AA	1				ED0	DG0		Small
	5013 625AA	1				ED0	DG0		Large
	5013 626AA	1			77	ED0	DBB		Small
	5013 625AA	1			77	ED0	DBB		Large
15	5083 001AA	1				ER0			BOOT, Drive Shaft [DHN] Without Clamps
		1				ED0	DG0		Without Clamps
		1			77	ED0	DBB		Without Clamps
16	5016 375AA	1				ER0			YOKE, Drive Shaft [DHN]
		1				ED0	DG0		
		1			77	ED0	DBB		
17	5093 820AA	1				ER0			U JOINT, [DHW], Front
18	#5093 821AB	1				ER0			YOKE, Drive Shaft, [DHW]
19	5093 823AA	1				ER0			BOOT, Drive Shaft, [DHW]
20	#52853 404AC	1				ER0			SHAFT, Drive, Front, [DHW]
21	5014 733AA	2				ER0			U JOINT, [DHW], Center,Rear



**JEEP WRANGLER (TJ)**

SERIES  
H = Sport  
L = SE  
M = X  
P = Sahara  
S = Rubicon

LINE  
J = Wrangler 4WD  
U = Wrangler 4WD (RHD)

BODY  
77 = 93.4 WB

ENGINE  
ED1, ED0 = 2.4L DOHC  
ERH = 4.0L Power Tech

TRANSMISSION  
DGG, DGD = 32RH 3 Spd.  
Auto.  
DDD = 5 Speed HD Manual  
DG0 = Auto. Trans.  
DBB = Manual Trans.  
DDK = 5 Speed Manual

AR = Use as required - = Non illustrated part # = New this model year

January 6, 2004

# Group - 017

## Rear Suspension

### GROUP 17 - Rear Suspension

Illustration Title

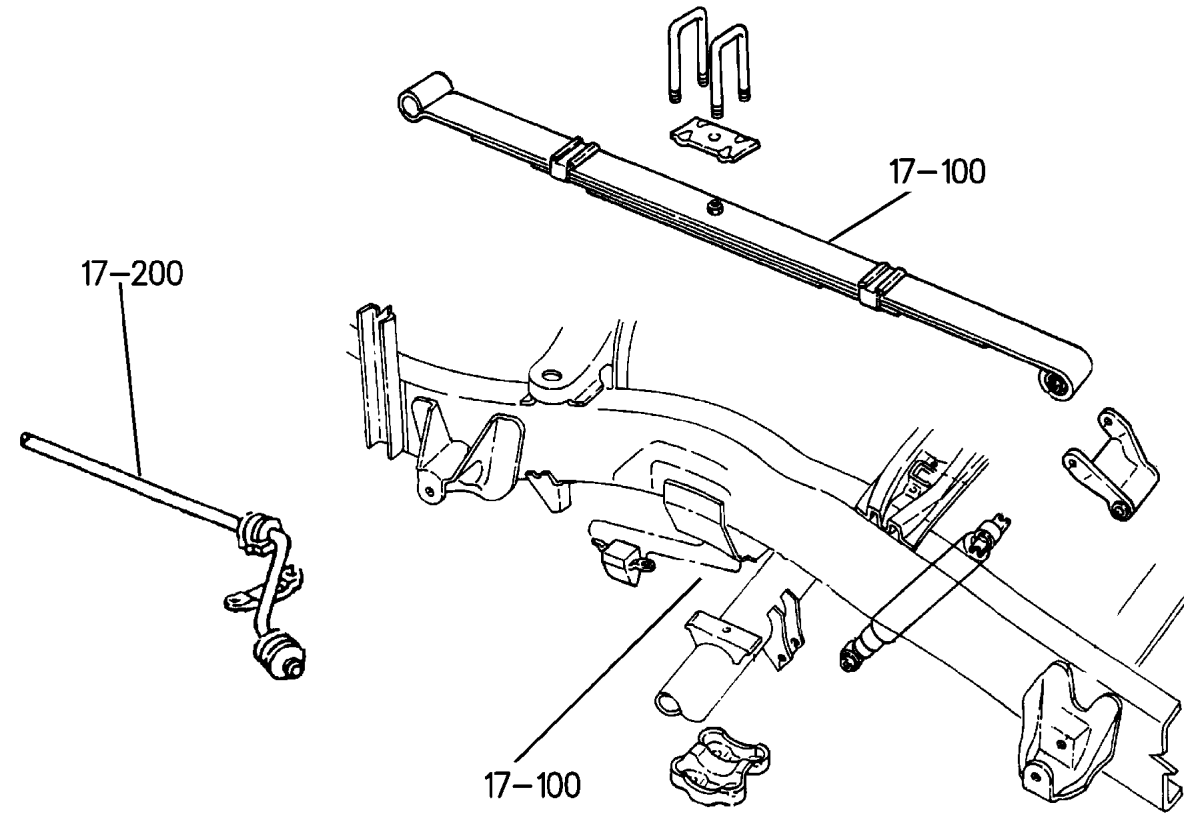
Group-Fig. No.

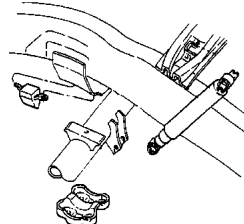
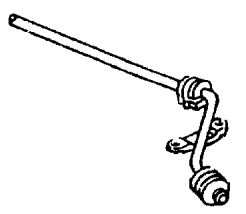
#### Rear Suspension

Suspension, Rear with Shocks, Springs and Track Bar ..... Fig. 017-110

#### Rear Stabilizer

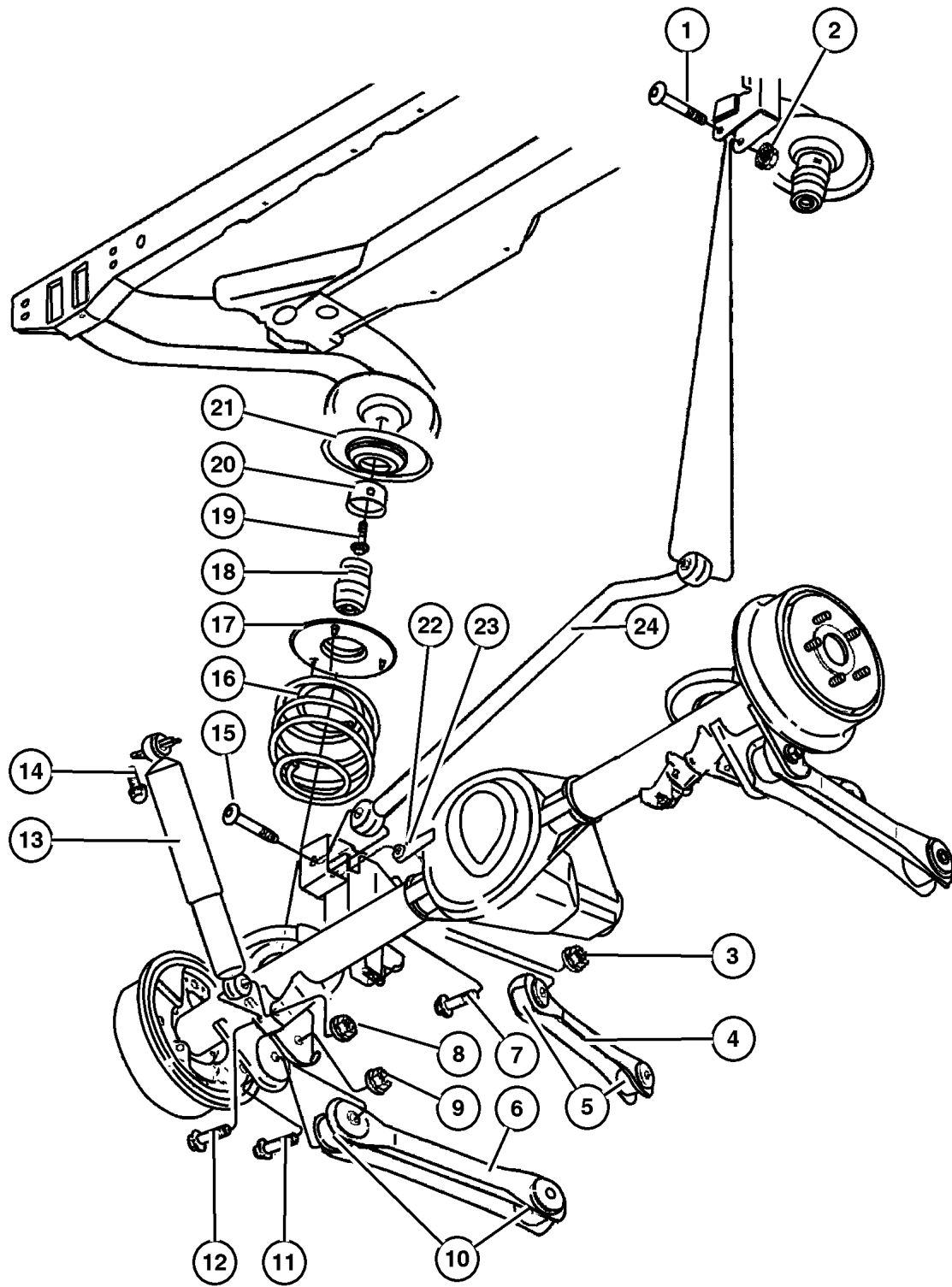
Stabilizer, Rear ..... Fig. 017-210



<p><b>017-100</b> Rear Suspension</p> 	<p><b>017-200</b> Rear Stabilizer</p> 		
---	---	--	--



## Suspension, Rear with Shocks, Springs and Track Bar Figure 017-110



ITEM	PART NUMBER	QTY	LINE	SERIES	BODY	ENGINE	TRANS	TRIM	DESCRIPTION
Note: Sales Codes;									
[SDA]=Suspension - Normal Duty									
[SDU]=Shocks - High Pressure Gas Charged									
[ZAU] Through [ZNY]=Spring Sales Codes will be found on Vehicle Identification Number [VIN] Sales Code Listing.									
1	6506 147AA	1							SCREW, Hex Flange Head, M12x1.75x80, Track Bar to Frame, Mounting
2	6502 697	1							NUT, Hex Flange Lock, M12x1.75, Track Bar to Frame, Mounting
3	6502 696	2							NUT, Hex Flange Lock, M10x1.5, UCA to Axle, Mounting
4	5208 8520	2							ARM, Control, Upper, Right or Left
5	5208 7709	4							BUSHING, Control Arm, Upper
6	52088 654AB	2		H, L, M, P					ARM, Control, Lower, Right or Left
7	6503 085	4							BOLT, Hex Flange Head, M10x1.50x78.20, UCA to Frame and Axle, Mounting
8	6502 697	2							NUT, Hex Flange Lock, M12x1.75, Shock Lower, Mounting
9	6502 698	4							NUT, Hex Flange Lock, LCA to Frame and Axle, Mounting
10	5208 8433	4		H, L, M, P					BUSHING, Control Arm, Lower
11	6506 033AA	4							BOLT, Hex Flange Head, M14x2.0x105, LCA to Frame and Axle, Mounting
12	6502 473	2							BOLT, Hex Flange Head, M12x1.75x65, Shock Lower, Mounting
13									SHOCK ABSORBER, Suspension, Rear
	52087 835AB	2							[SDA]
	52088 651AJ	2							[SDU]
	#56052 342AA	2	J			78			[SDU]
14	3420 2467	4							SCREW, Hex Head, M8x1.25x30, Shock Upper, Mounting
15	6505 467AA	1							SCREW, Truss Head, M12x1.75x80, Track Bar to Axle, Mounting
16									SPRING, Rear Coil
	#56052 456AA	1							[ZAR,ZNR]
	#56052 436AA	1							[ZAS,ZNS]
	5208 9103	1							[ZAU,ZNU]

**JEEP WRANGLER (TJ)**

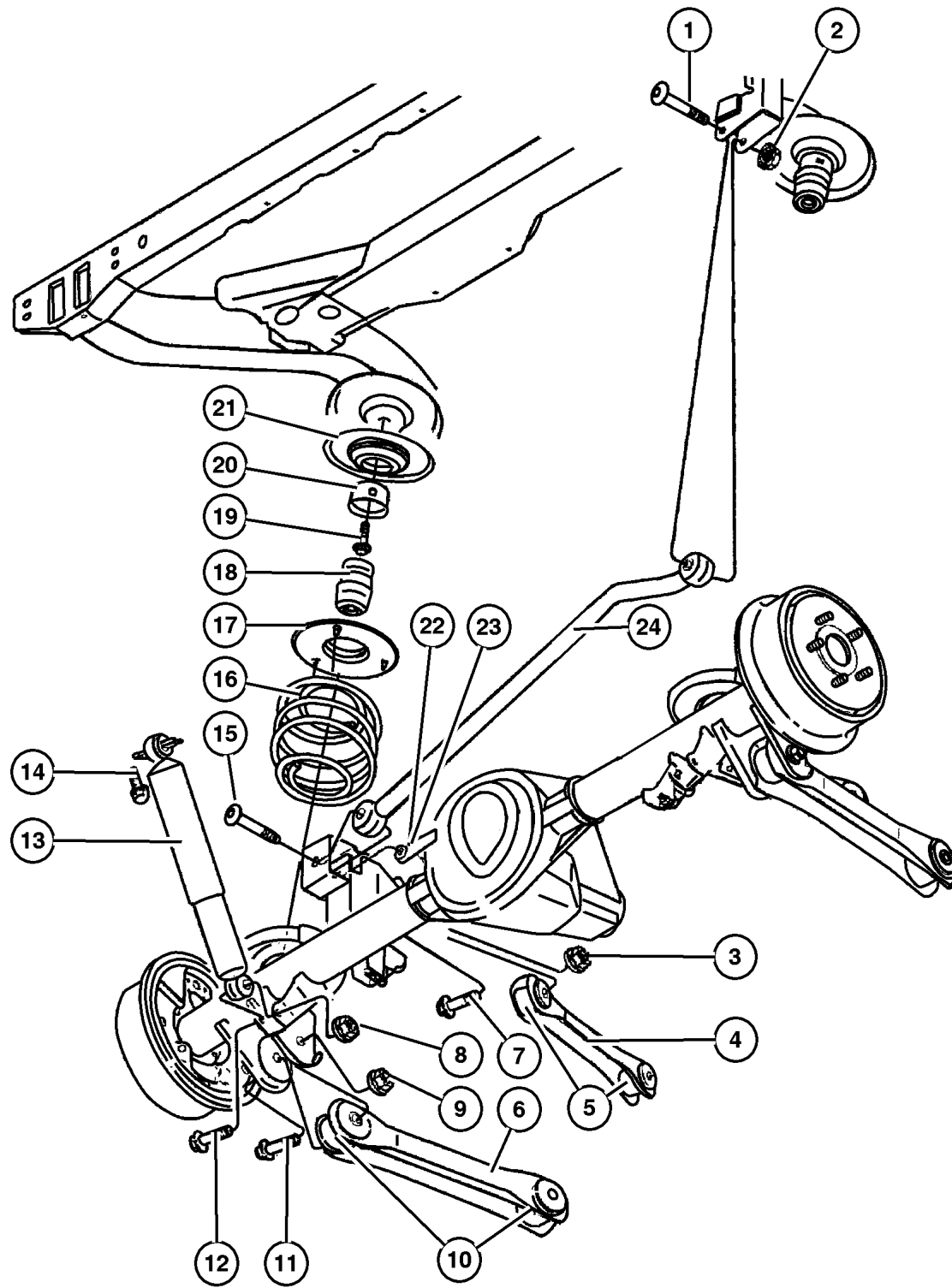
SERIES	LINE	BODY	ENGINE	TRANSMISSION
H = Sport	J = Wrangler 4WD	77 = 93.4 WB	ED1, ED0 = 2.4L DOHC	DGG, DGD = 32RH 3 Spd. Auto.
L = SE	U = Wrangler 4WD (RHD)		ERH = 4.0L Power Tech	DDD = 5 Speed HD Manual
M = X				DG0 = Auto. Trans.
P = Sahara				DBB = Manual Trans.
S = Rubicon				DDK = 5 Speed Manual

AR = Use as required - = Non illustrated part # = New this model year

January 6, 2004

## Suspension, Rear with Shocks, Springs and Track Bar Figure 017-110

ITEM	PART NUMBER	QTY	LINE	SERIES	BODY	ENGINE	TRANS	TRIM	DESCRIPTION
	5208 9104	1							[ZAV,ZNV]
	52090 105AA	1							[ZAW,ZNW]
	52060 106AA	1							[ZAX,ZNX]
	#56052 335AA	1							[ZAY,ZNY]
17	5208 7832	2							ISOLATOR, Spring, Lower
18	52087 636AB	2							BUMPER, Jounce
19	6100 402	2							BOLT, Hex Head, M10x35, Jounce Bumper Cup, Mounting
20	5208 7635	2							CUP, Jounce Bumper
21	5208 7832	2							ISOLATOR, Spring, Coil Spring Rear, Upper
22	6503 652	1	J						NUT AND RETAINER, Hex Flange Lock, m8x1.25, Track Bar to Axle, Mounting
23	6502 697	1	U						NUT, Hex Flange Lock, M12x1.75, Track Bar to Axle, Mounting
24									BAR, Track
	5208 7878	1	J						
	5208 8175	1	U						
-25	6503 648	2							NUT AND RETAINER, Hex Flange Lock, m8x1.25, UCA to Frame, Mounting
-26	5209 8805	1	J						COVER, Track Bar Bracket
-27	6030 441	2	J						PIN, Retainer, Track Bar Cover, Mounting



### JEEP WRANGLER (TJ)

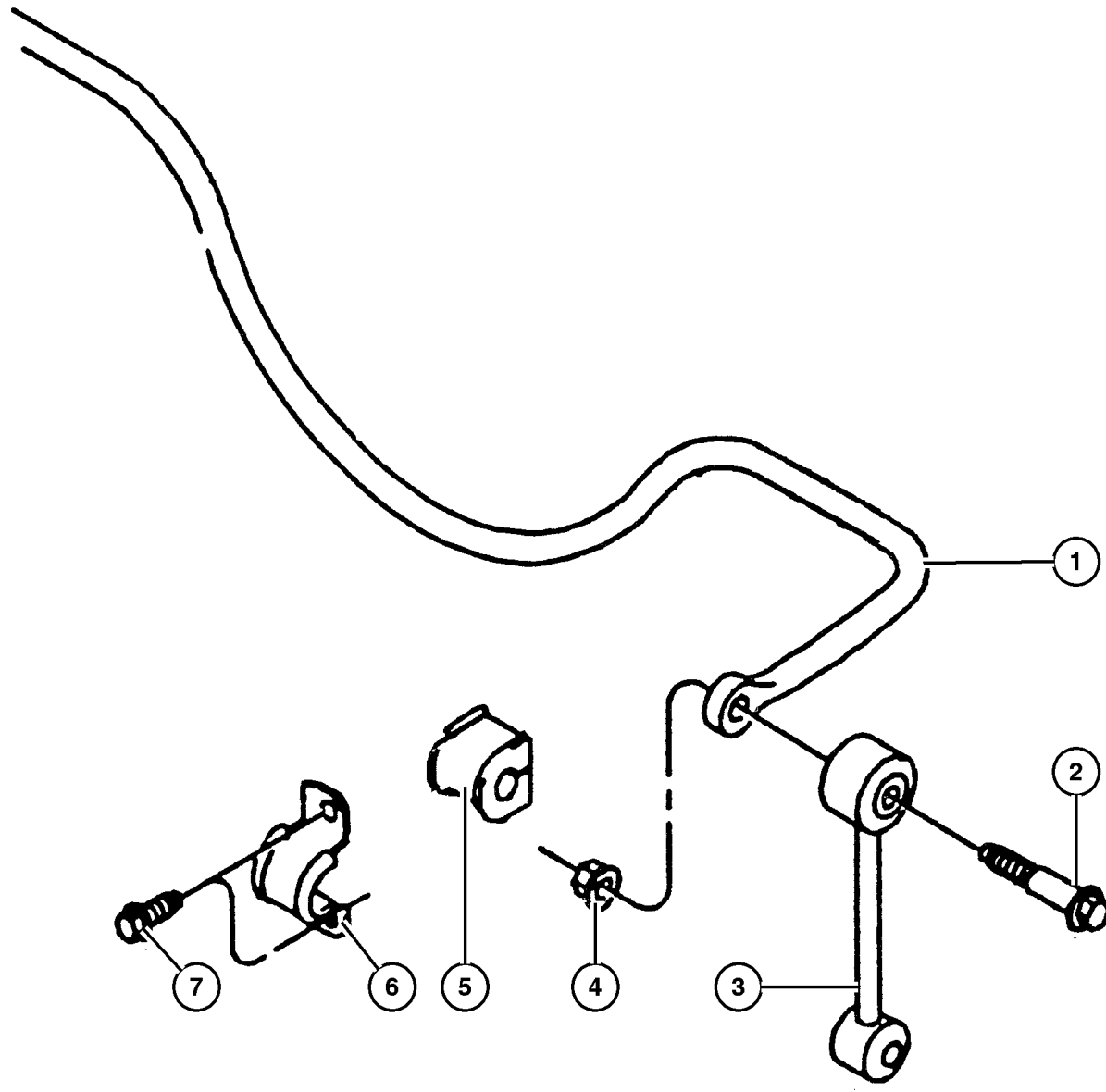
SERIES	LINE	BODY	ENGINE	TRANSMISSION
H = Sport	J = Wrangler 4WD	77 = 93.4 WB	ED1, ED0 = 2.4L DOHC	DGG, DGD = 32RH 3 Spd. Auto.
L = SE	U = Wrangler 4WD (RHD)		ERH = 4.0L Power Tech	DDD = 5 Speed HD Manual
M = X				DG0 = Auto. Trans.
P = Sahara				DBB = Manual Trans.
S = Rubicon				DDK = 5 Speed Manual

AR = Use as required - = Non illustrated part # = New this model year

January 6, 2004

## Stabilizer, Rear Figure 017-210

ITEM	PART NUMBER	QTY	LINE	SERIES	BODY	ENGINE	TRANS	TRIM	DESCRIPTION
1	5208 8002	1							BAR, Rear Sway
2	6503 726	2							SCREW, Shoulder, Sway Bar to Link, Mounting
3	52088 896AA	2							LINK, Sway Eliminator
4	6502 696	2							NUT, Hex Flange Lock, M10x1.5, Sway Bar to Link, Mounting
5	52088 125AB	2							BUSHING, Sway Bar
6	5208 7865	2							RETAINER, Sway Bar
7	6503 571	4							SCREW AND WASHER, M10x1.50x35
-8	6503 726	2							SCREW, Shoulder, Sway Bar Link to Frame, Mounting
-9	6503 648	2							NUT AND RETAINER, Hex Flange Lock, m8x1.25, Sway Bar Link to Frame, Mounting



### JEEP WRANGLER (TJ)

SERIES	LINE	BODY	ENGINE	TRANSMISSION
H = Sport	J = Wrangler 4WD	77 = 93.4 WB	ED1, ED0 = 2.4L DOHC	DGG, DGD = 32RH 3 Spd. Auto.
L = SE	U = Wrangler 4WD (RHD)		ERH = 4.0L Power Tech	DDD = 5 Speed HD Manual
M = X				DG0 = Auto. Trans.
P = Sahara				DBB = Manual Trans.
S = Rubicon				DDK = 5 Speed Manual

AR = Use as required - = Non illustrated part # = New this model year

January 6, 2004

# Group – 019

## Steering

### GROUP 19 - Steering

Illustration Title

Group-Fig. No.

#### Steering Wheel

Wheel, Steering ..... Fig. 019-110

#### Steering Column

Column, Steering Upper and Lower ..... Fig. 019-210

#### Steering Gear

Gear, Power Steering ..... Fig. 019-310

#### Steering Linkage

Linkage and Damper ..... Fig. 019-410

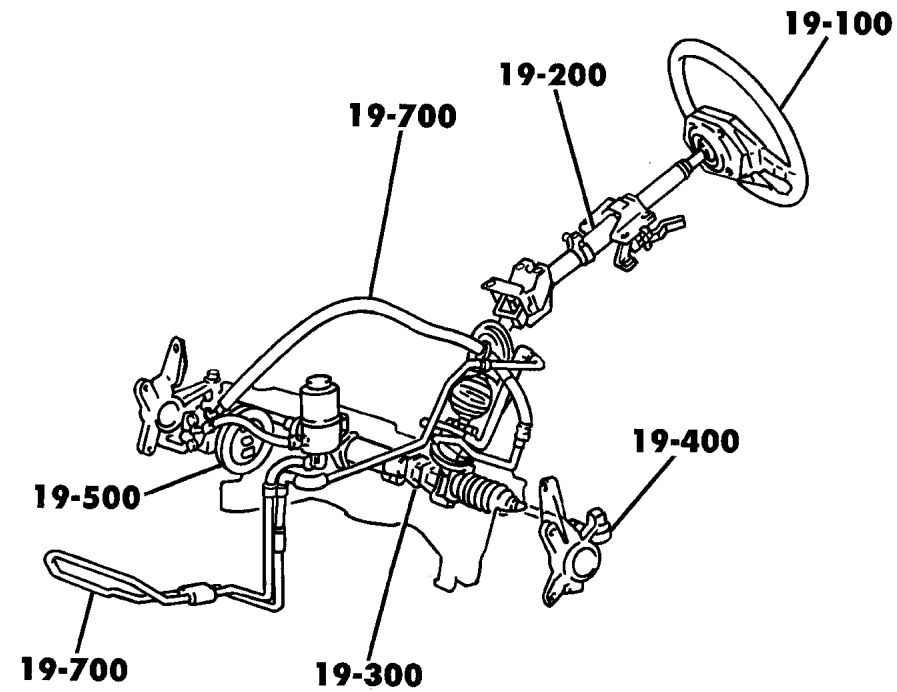
#### Power Steering Pump


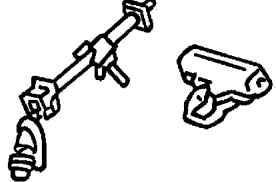
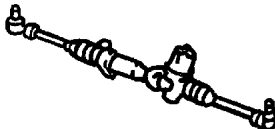
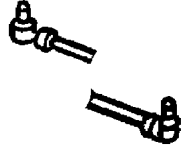
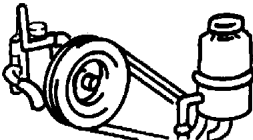

Pump, Power Steering ..... Fig. 019-510

#### Power Steering Hoses

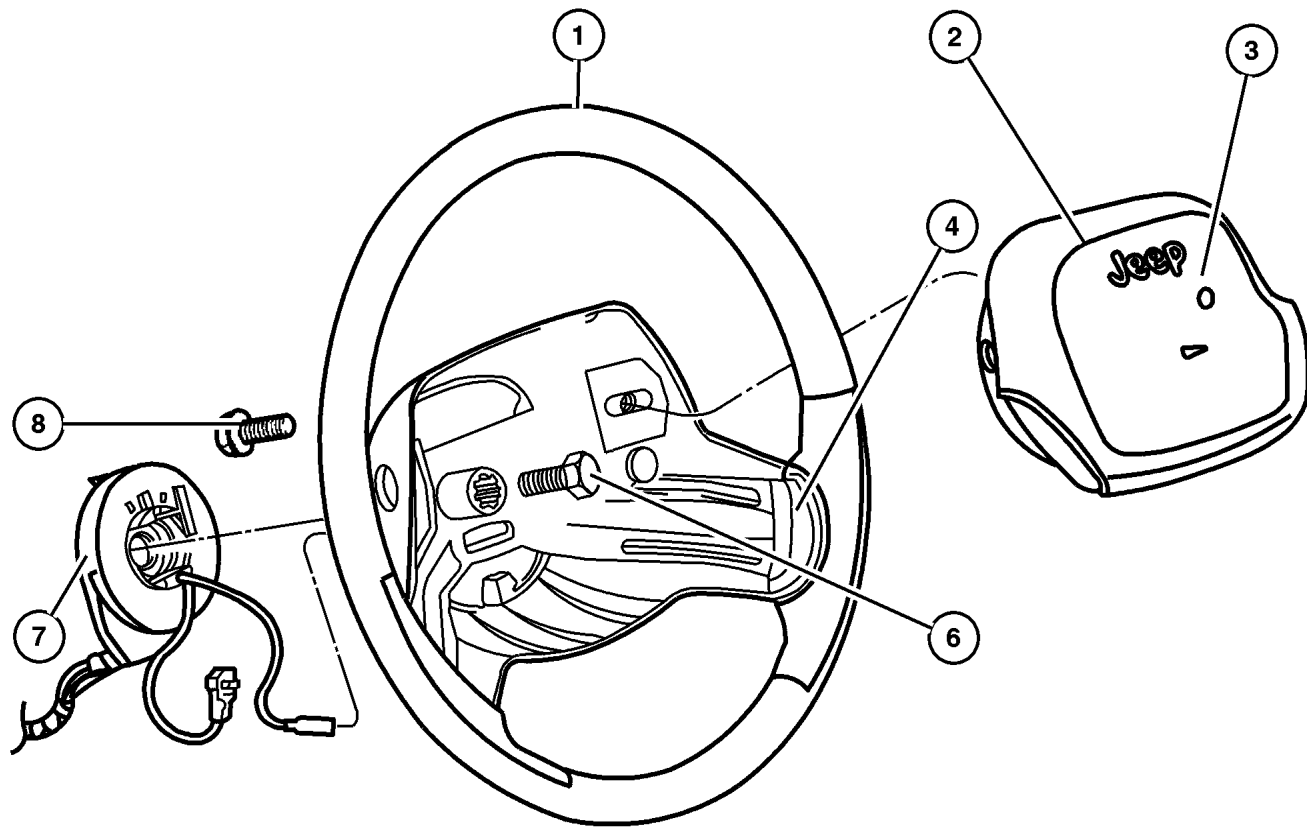
Hoses and Reservoir, 2.4L Engine [ED0] ..... Fig. 019-710

Hoses and Reservoir, 4.0L Engine [ER0] ..... Fig. 019-720



<p><b>019-100</b> Steering Wheel</p> 	<p><b>019-200</b> Steering Column</p> 	<p><b>019-300</b> Steering Gear</p> 	<p><b>019-400</b> Steering Linkage</p> 
<p><b>019-500</b> Power Steering Pump</p> 	<p><b>019-700</b> Power Steering Hoses</p> 		

# Wheel, Steering Figure 019-110



ITEM	PART NUMBER	QTY	LINE	SERIES	BODY	ENGINE	TRANS	TRIM	DESCRIPTION
------	-------------	-----	------	--------	------	--------	-------	------	-------------

Note: If Horn Switch is defective, you must replace the AIR BAG COVER WITH SWITCH and not the AIR BAG MODULE ASSEMBLY itself.

Note: Sales Codes;

[SCE]=Steering Wheel-2-Spoke Soft Feel

[SCG]=Steering Wheel-Leather Wrapped

[NHM]= Speed Control

1	5JG60 DX9AC	1							WHEEL, Steering [SCA]
	5JG61 1X9AB	1							[SCL] - [NHM]
	XP71 1X9AB	1			77				[SCL+NHM]
2	5JG52 DX9AA	1							AIR BAG, Driver
3	XZ03 DX9AA	1							COVER, Air Bag Module
4									SWITCH, Speed Control
	5GY38 DX9AA	1							Right
	5GY39 DX9AA	1							Left
-5									BEZEL, Steering Wheel
	5JG22 DX9AA	1							[SCA], Right
									[SCL] - [NHM], Right
	5JG23 DX9AA	1							[SCA], Left
									[SCL] - [NHM], Left
6	6505 656AA	1							SCREW, Hex Flange Head, M10x1.5x35.
7	#56047 144AB	1							CLOCKSPRING
8	6507 854AA	2							SCREW, M6x1x25
-9									WIRING, Steering Wheel, Service with Clockspring, (NOT SERVICED) (Not Serviced)
-10	55314 966AB	1							LABEL, Airbag, [ABB]

## JEEP WRANGLER (TJ)

SERIES	LINE	BODY	ENGINE	TRANSMISSION
H = Sport	J = Wrangler 4WD	77 = 93.4 WB	ED1, ED0 = 2.4L DOHC	DGG, DGD = 32RH 3 Spd. Auto.
L = SE	U = Wrangler 4WD (RHD)		ERH = 4.0L Power Tech	DDD = 5 Speed HD Manual
M = X				DG0 = Auto. Trans.
P = Sahara				DBB = Manual Trans.
S = Rubicon				DDK = 5 Speed Manual

AR = Use as required - = Non illustrated part # = New this model year

January 6, 2004

## Column, Steering Upper and Lower Figure 019-210

ITEM	PART NUMBER	QTY	LINE	SERIES	BODY	ENGINE	TRANS	TRIM	DESCRIPTION
------	-------------	-----	------	--------	------	--------	-------	------	-------------

Note: Sales Codes;

- [ABB] = European Equipment Group
- [DBB] = Transmissions - All Manual
- [DG0] = Transmissions - All Automatic
- [ED0] = Engines - All 2.4L 4 Cylinder Gas
- [ER0] = Engines - All 4.0L 6 Cylinder Gas

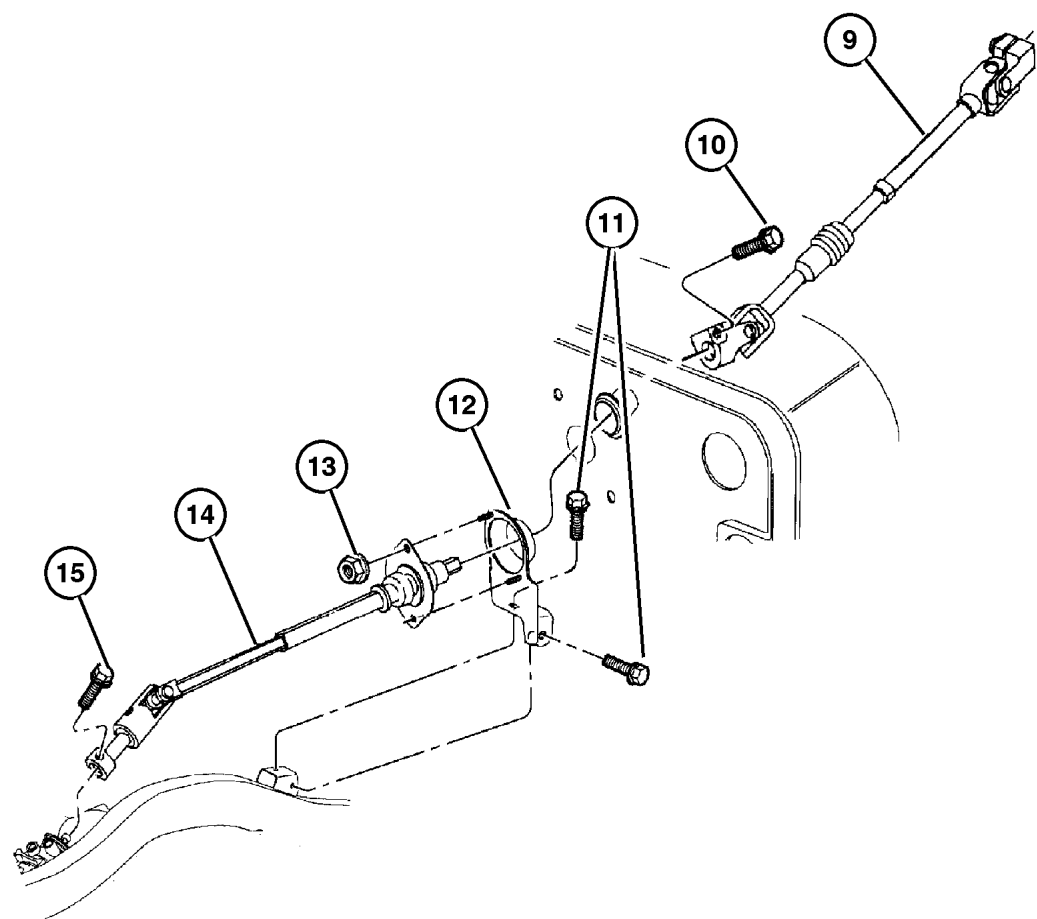
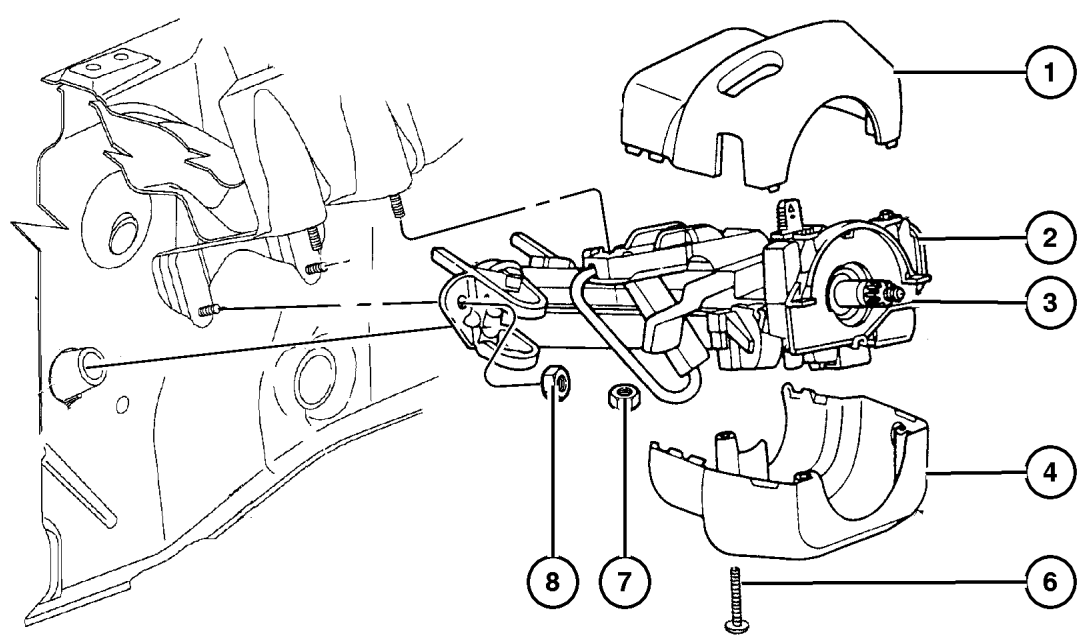
1	5GN31 DX9AD	1							SHROUD, Steering Column, Upper
2	5057 080AA	1					DBB		COLUMN, Steering, Tilt Without [ABB]
	5057 079AA	1					DG0		Without [ABB]
	5057 082AA	1					DBB		With [ABB]
	5057 081AA	1					DG0		With [ABB]
3	5057 077AA	1					DBB		COLUMN, steering, non tilt Without [ABB]
	5057 078AA	1					DG0		
4	5GN30 DX9AB	1					DBB		SHROUD, Steering Column, Lower
	5GN36 DX9AB	1					DG0		
-5	55314 965AB	1					DBB		TRIM RING, Ignition Key Cylinder
6	6035 434	2							SCREW AND WASHER, Pan Head, Upper Shroud to Lower Shroud, Mounting
7	6501 279	1							NUT, Hex Flange Lock, M8x1.25, Mounting Stud
8	6505 245AA	2							NUT, M8x1.25, Mounting Stud, Lower
9	55315 014AD	1							SHAFT, Intermediate
10	6504 926AA	3							SCREW, Hex Flange Head, M10x1. 5x40, Upper Shaft to Lower shaft, Mounting
11	6504 153	2							SCREW AND WASHER, Hex Head, M10x1.5x35, Shaft Bracket to Frame
12	52058 855AB	1	J			ED0			BRACKET, Intermediate Shaft
	5205 8841	1	J			ER0			
	52058 856AB	1	U			ED0			
	5205 8854	1	U			ER0			
13	6100 516	2							NUT, Hex Flange Lock, M6 Phosphate, Intermediate Shaft Bracket, Mounting
14	55315 044AA	1							SHAFT, Intermediate

**JEEP WRANGLER (TJ)**

SERIES	LINE	BODY	ENGINE	TRANSMISSION
H = Sport	J = Wrangler 4WD	77 = 93.4 WB	ED1, ED0 = 2.4L DOHC	DGG, DGD = 32RH 3 Spd. Auto.
L = SE	U = Wrangler 4WD (RHD)		ERH = 4.0L Power Tech	DDD = 5 Speed HD Manual
M = X				DG0 = Auto. Trans.
P = Sahara				DBB = Manual Trans.
S = Rubicon				DDK = 5 Speed Manual

AR = Use as required - = Non illustrated part # = New this model year

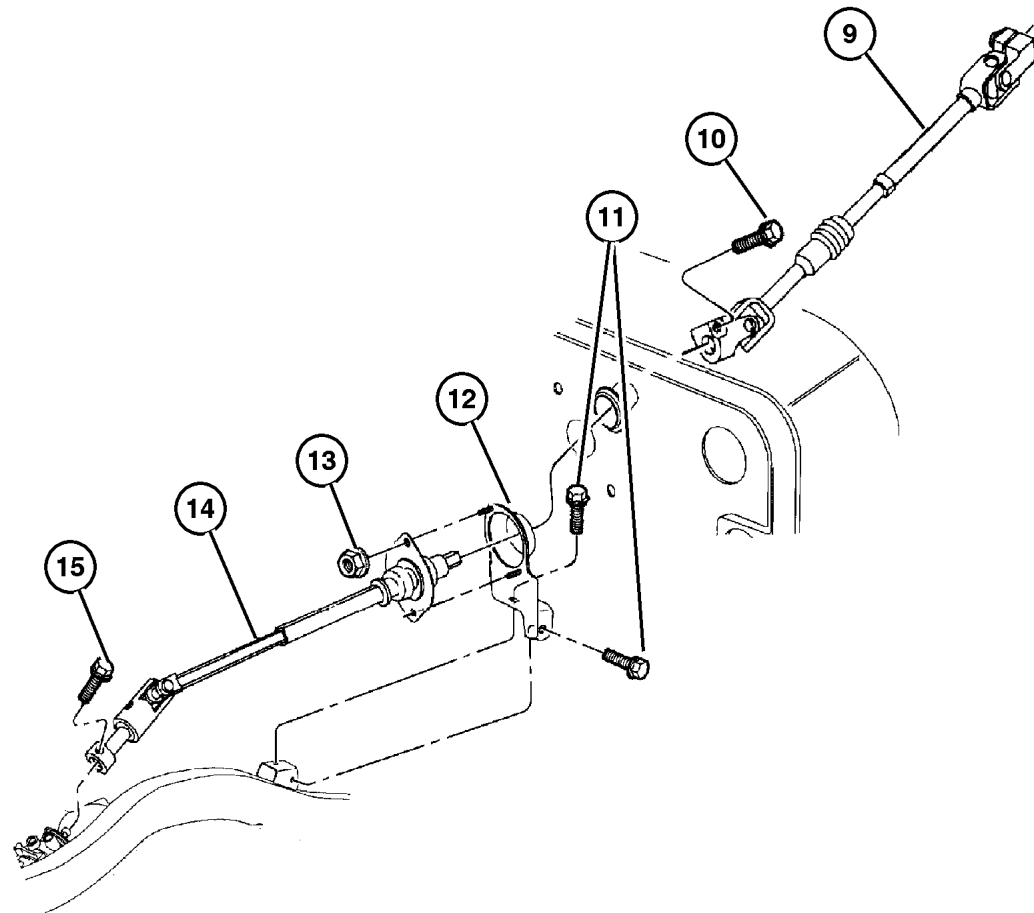
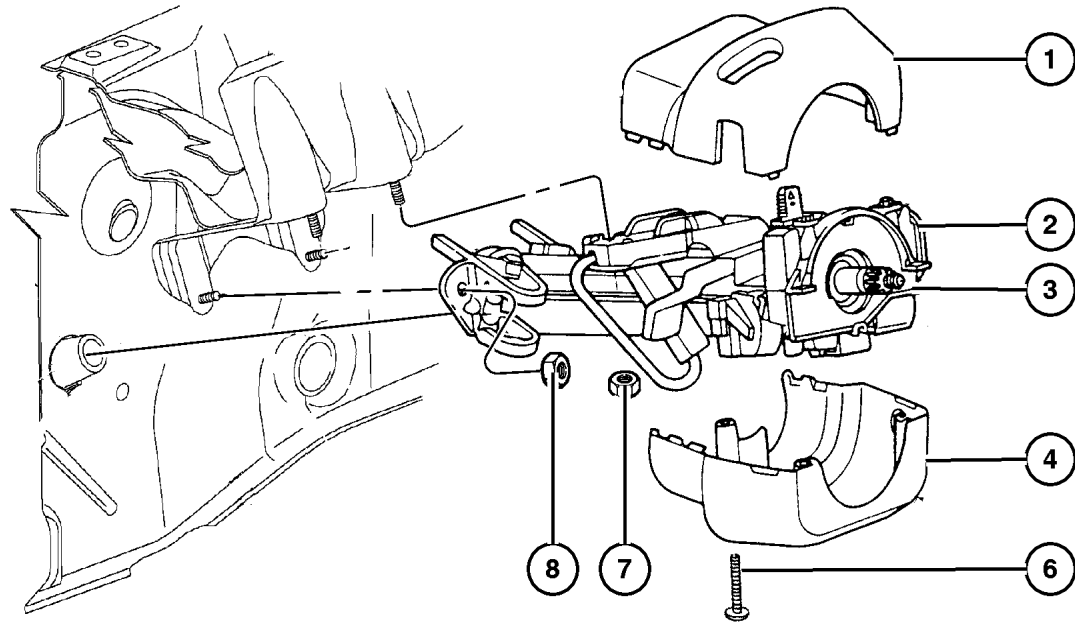
January 6, 2004



Column, Steering Upper and Lower  
Figure 019-210

ITEM	PART NUMBER	QTY	LINE	SERIES	BODY	ENGINE	TRANS	TRIM	DESCRIPTION
------	-------------	-----	------	--------	------	--------	-------	------	-------------

15	6504 926AA	3							SCREW, Hex Flange Head, M10x1.5x40, Lower Shaft to Steering Box, Mounting
----	------------	---	--	--	--	--	--	--	---



JEEP WRANGLER (TJ)

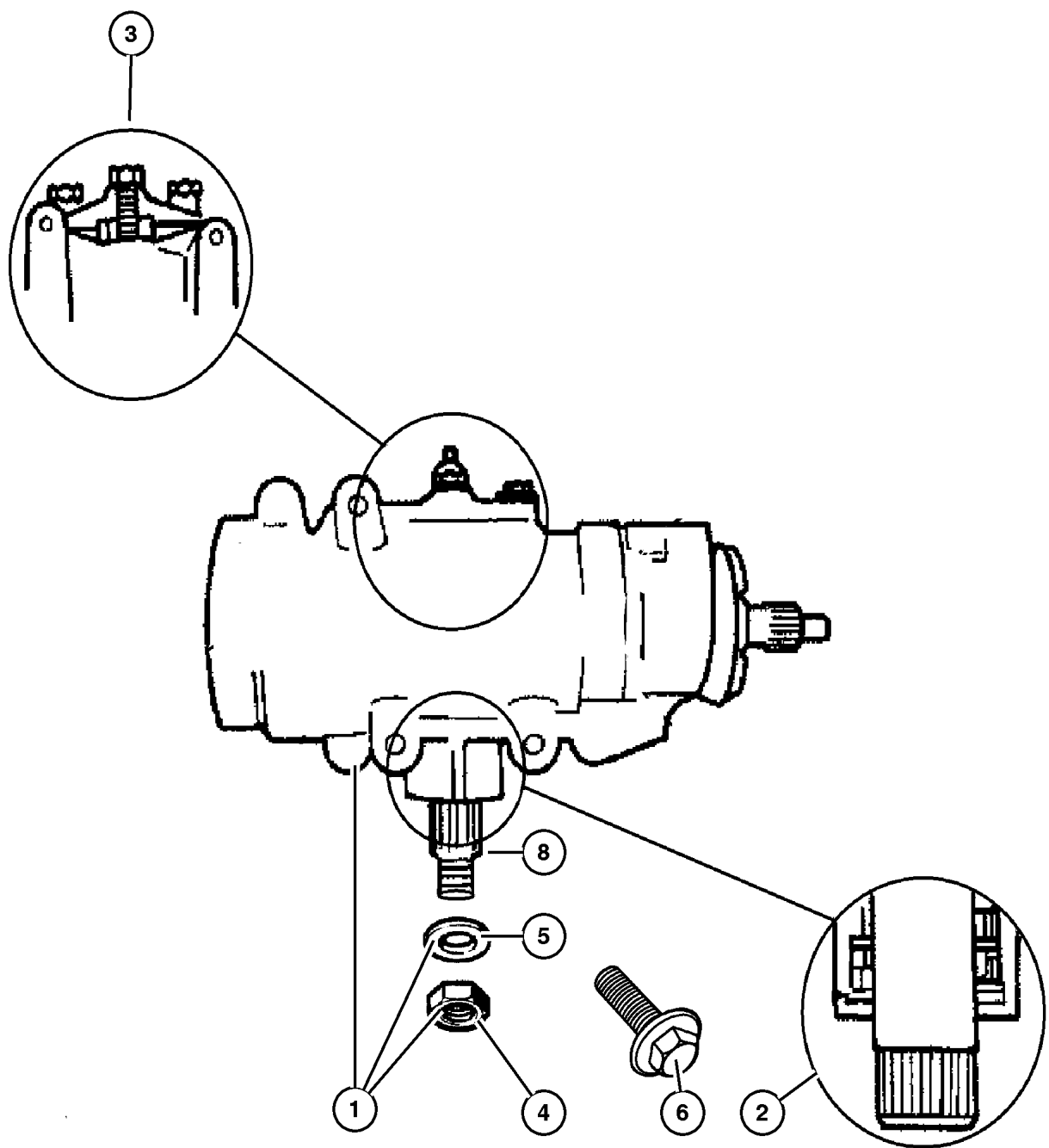
SERIES	LINE	BODY	ENGINE	TRANSMISSION
H = Sport	J = Wrangler 4WD	77 = 93.4 WB	ED1, ED0 = 2.4L DOHC	DGG, DGD = 32RH 3 Spd. Auto.
L = SE	U = Wrangler 4WD (RHD)		ERH = 4.0L Power Tech	DDD = 5 Speed HD Manual
M = X				DG0 = Auto. Trans.
P = Sahara				DBB = Manual Trans.
S = Rubicon				DDK = 5 Speed Manual

AR = Use as required - = Non illustrated part # = New this model year

January 6, 2004

**Gear, Power Steering  
Figure 019-310**

ITEM	PART NUMBER	QTY	LINE	SERIES	BODY	ENGINE	TRANS	TRIM	DESCRIPTION
1									GEAR, Power Steering
	52088 993AD	1	J						
	52088 994AD	1	U						
2									SEAL KIT, Steering gear pitman shaft
	5083 823AA	1	J						
	52059 405AB	1	U		77				
3									O RING KIT, Cover, Valve
	5083 825AA	1	J						
		1	U		77				
4	J320 0501	1							NUT, Steering Gear Arm, Pitman Arm to Gear
5	S010 3336	1							WASHER, Lock, .875x1.469, Pitman Arm to Gear
6	6036 502AA	3							SCREW AND WASHER, Steering Gear Mounting
-7									GASKET KIT, Top Cover
	5093 838AA	1	J						
		1	U		77				
8	5083 289AA	1	J						SHAFT KIT, Pitman Shaft Replacement
-9									SEAL KIT, Input Shaft Seal
	5083 824AA	1	J						
		1	U		77				



**JEEP WRANGLER (TJ)**

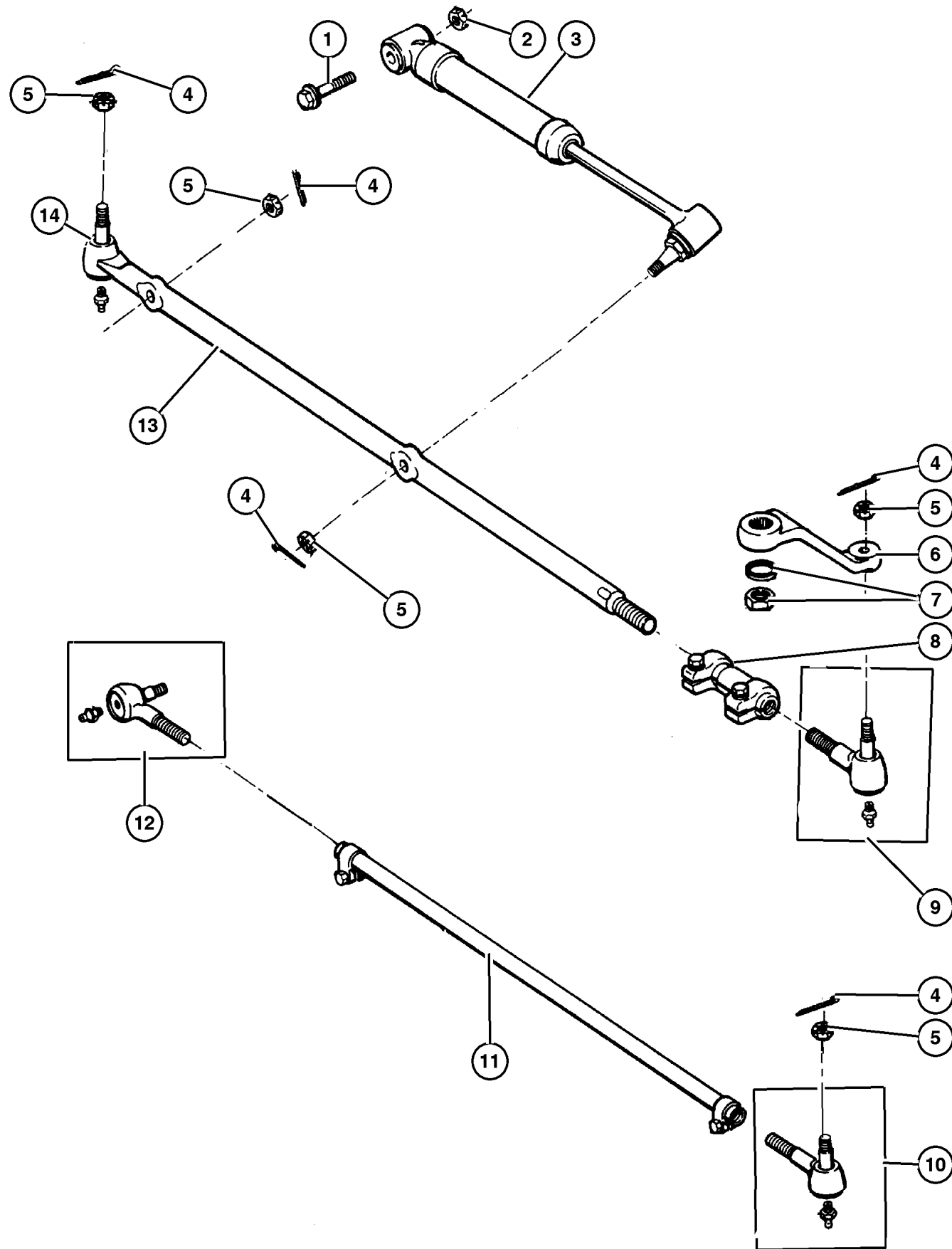
SERIES	LINE	BODY	ENGINE	TRANSMISSION
H = Sport	J = Wrangler 4WD	77 = 93.4 WB	ED1, ED0 = 2.4L DOHC	DGG, DGD = 32RH 3 Spd. Auto.
L = SE	U = Wrangler 4WD (RHD)		ERH = 4.0L Power Tech	DDD = 5 Speed HD Manual
M = X				DG0 = Auto. Trans.
P = Sahara				DBB = Manual Trans.
S = Rubicon				DDK = 5 Speed Manual

AR = Use as required - = Non illustrated part # = New this model year

January 6, 2004



## Linkage and Damper Figure 019-410



ITEM	PART NUMBER	QTY	LINE	SERIES	BODY	ENGINE	TRANS	TRIM	DESCRIPTION
1	6502 473	1							BOLT, Hex Flange Head, M12x1.75x65, Steering Damper to Axle Bracket
2	6502 697	1							NUT, Hex Flange Lock, M12x1.75, Steering Damper to Axle Bracket
3	52088 959AA	1	J						DAMPER, Steering Linkage
	52088 960AA	1	U						
4									PIN, Cotter, (NOT SERVICED) (Not Serviced)
5	6034 358	1							NUT, Hex, .50-20
		1							Tie Rod to Knuckle, Mounting
		1							Damper Stud to Drag Link, Mounting
		1							Drag Link to Pitman Arm, Mounting
		1							Tie Rod to Drag Link, Mounting
		1							Drag Link to Knuckle, Mounting
6									ARM, Pitman
	5203 8337	1	J						NUT AND WASHER, Must Purchase
	5203 8338	1	U						
7									Gear Box Assembly, (NOT SERVICED) (Not Serviced)
8									TUBE, Tie Rod
	52037 536AB	1	J						SOCKET
	52005 742AB	1	U						
9									Inner
	5200 5739	1	J						Inner
		1	U						SOCKET, Tie Rod, Outer
10									SOCKET, Tie Rod, Outer
	5200 5741	1	J						
		1	U						TUBE, Tie Rod
11									SOCKET, Tie Rod, Inner
	52005 743AB	1	J						
		1	U				77		
12									SOCKET, Tie Rod, Inner
	5200 5740	1	J						
		1	U						
13									SOCKET, Drag Link
	5208 7887	1	J						Outer
	5200 6582	1	U						Outer

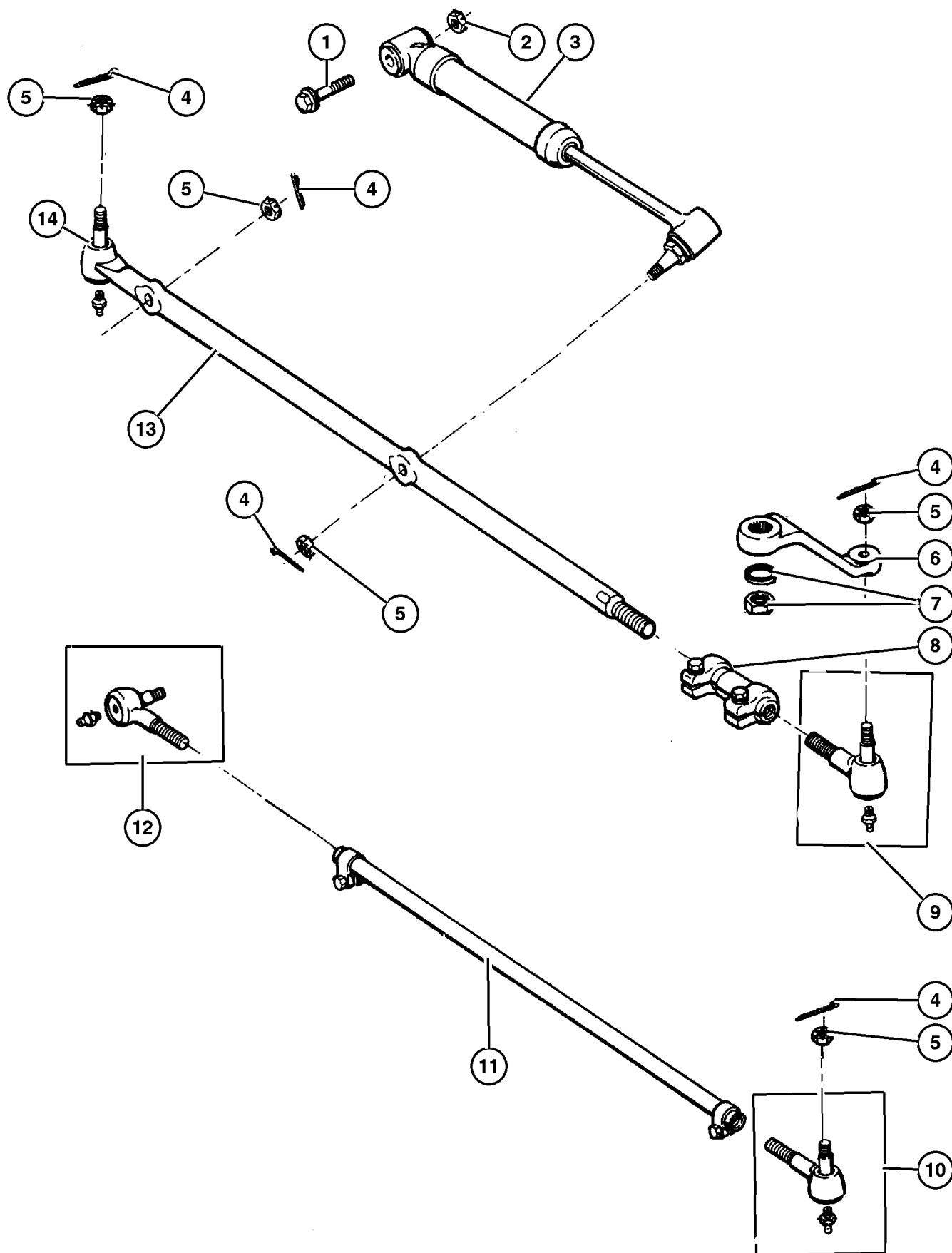
**JEEP WRANGLER (TJ)**

<b>SERIES</b>	<b>LINE</b>	<b>BODY</b>	<b>ENGINE</b>	<b>TRANSMISSION</b>
H = Sport	J = Wrangler 4WD	77 = 93.4 WB	ED1, ED0 = 2.4L DOHC	DGG, DGD = 32RH 3 Spd. Auto.
L = SE	U = Wrangler 4WD (RHD)		ERH = 4.0L Power Tech	DDD = 5 Speed HD Manual
M = X				DG0 = Auto. Trans.
P = Sahara				DBB = Manual Trans.
S = Rubicon				DDK = 5 Speed Manual

AR = Use as required - = Non illustrated part # = New this model year

January 6, 2004

Linkage and Damper  
Figure 019-410



ITEM	PART NUMBER	QTY	LINE	SERIES	BODY	ENGINE	TRANS	TRIM	DESCRIPTION
14	5200 0988	1	U						SEAL, Tie Rod End

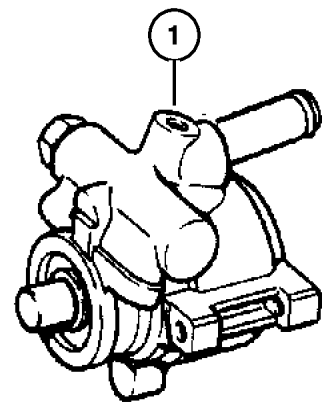
JEEP WRANGLER (TJ)			
SERIES	LINE	BODY	ENGINE
H = Sport	J = Wrangler 4WD	77 = 93.4 WB	ED1, ED0 = 2.4L DOHC
L = SE	U = Wrangler 4WD (RHD)		ERH = 4.0L Power Tech
M = X			
P = Sahara			
S = Rubicon			

TRANSMISSION
DGG, DGD = 32RH 3 Spd. Auto.
DDD = 5 Speed HD Manual
DG0 = Auto. Trans.
DBB = Manual Trans.
DDK = 5 Speed Manual

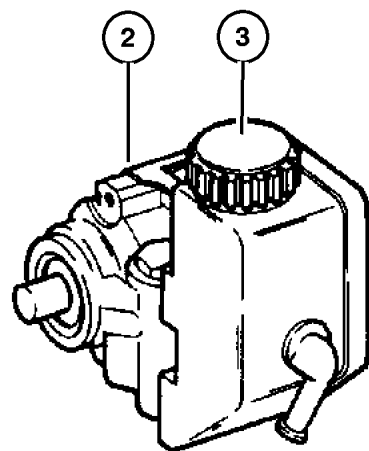
AR = Use as required - = Non illustrated part # = New this model year

January 6, 2004

Pump, Power Steering  
Figure 019-510



W/2.4L



W/4.0L

ITEM	PART NUMBER	QTY	LINE	SERIES	BODY	ENGINE	TRANS	TRIM	DESCRIPTION
Note:Sales Codes;									
[ED0]=Engines - All 2.4L 4 Cylinder Gas									
[ER0]=Engines - All 4.0L 6 Cylinder Gas									
1	52089 018AC	1				ED0			PUMP, Power Steering
2									PUMP, Power Steering with Reservoir
	52087 871AE	1				ER0			
	52089 018AC	1				ED0			
3	4897 287AA	1				ER0			CAP, Power Steering Reservoir
-4									CLIP, Power Steering Reservoir
	5203 7547	1				ER0			Mounting, Right
	5203 7546	1				ER0			Mounting, Left
-5	8350 3489	1				ER0			VALVE, Flow Control
-6	2537 833	1				ER0			SPRING, Power Steering Pump Flow
-7	4778 797AB	1				ER0			SEAL, Power Steering Pump
-8	5066 223AA	1				ER0			KIT, Pump Assembly Service
-9	5066 224AA	1				ER0			KIT, Reservoir Service

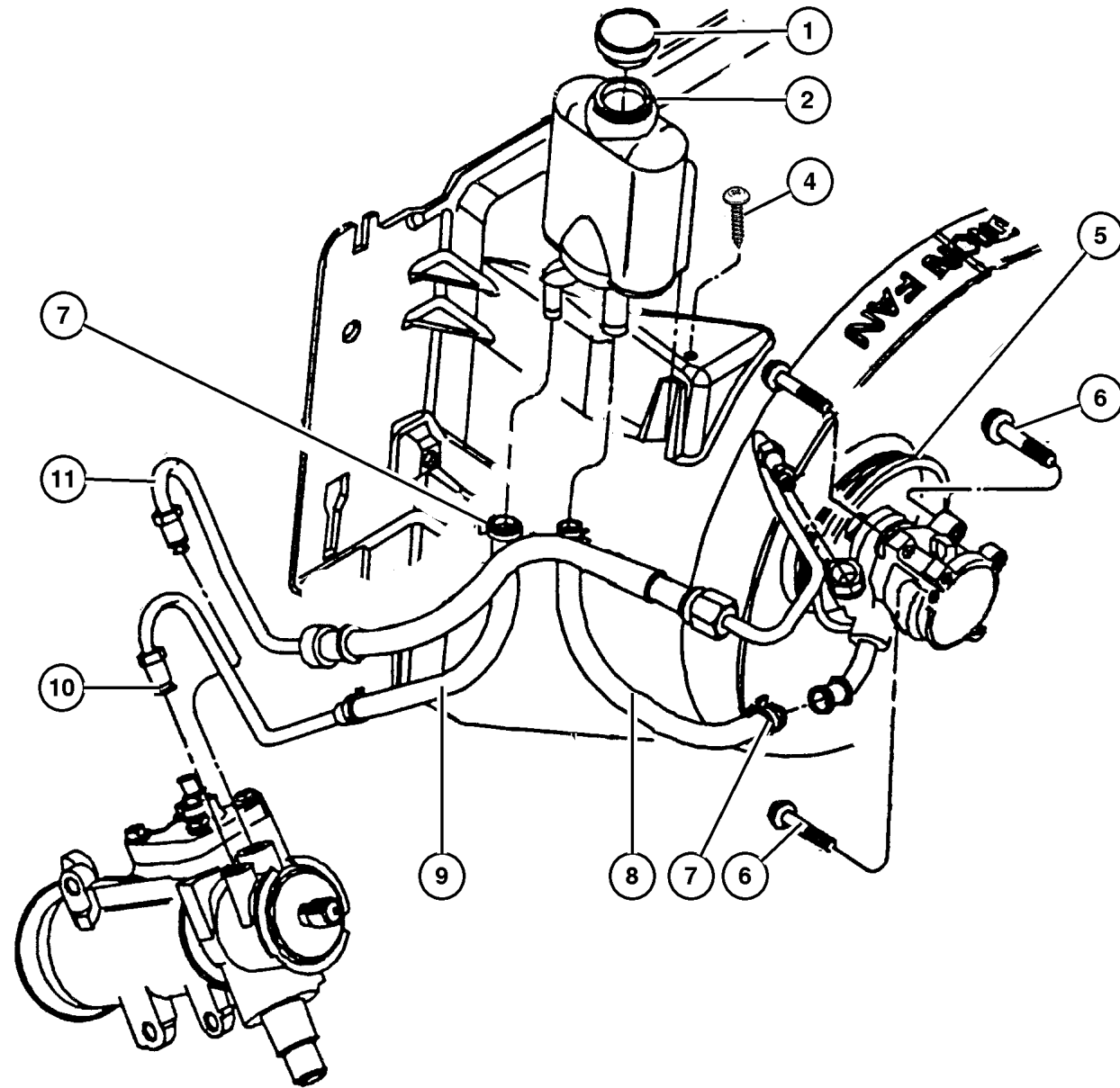
JEEP WRANGLER (TJ)

SERIES	LINE	BODY	ENGINE	TRANSMISSION
H = Sport	J = Wrangler 4WD	77 = 93.4 WB	ED1, ED0 = 2.4L DOHC	DGG, DGD = 32RH 3 Spd. Auto.
L = SE	U = Wrangler 4WD (RHD)		ERH = 4.0L Power Tech	DDD = 5 Speed HD Manual
M = X				DG0 = Auto. Trans.
P = Sahara				DBB = Manual Trans.
S = Rubicon				DDK = 5 Speed Manual

AR = Use as required - = Non illustrated part # = New this model year

January 6, 2004

Hoses and Reservoir, 2.4L Engine [ED0]  
Figure 019-710



ITEM	PART NUMBER	QTY	LINE	SERIES	BODY	ENGINE	TRANS	TRIM	DESCRIPTION
Note:Sales Codes;									
[ED0]=Engines - All 2.4L 4 Cylinder Gas									
1	4694 766	1				ED0			CAP, Power Steering Pump
2	52087 713AB	1				ED0			RESERVOIR, Power Steering Pump
-3	6035 102	2							SCREW, Hex Flange Head Tapping, .25-14x.75, Reservoir Mounting
4	52088 924AA	1				ED0			RETAINER, Reservoir
5	53031 722AA	1				ED0			PULLEY, Power Steering Pump
6	6502 425	3				ED0			SCREW AND WASHER, Hex Head, M8x1.25x95
7	2448 761	2	J			ED0			CLAMP, Hose
8	52089 017AC	1				ED0			HOSE, Power Steering Reservoir
9	52089 014AD	1	J			ED0			HOSE, Power Steering Return
10	5205 254	1	J			ED0			O RING, Power Steering Hose
11	52089 016AD	1	J			ED0			HOSE, Power Steering Pressure
-12	3420 1888	1	U						SCREW, Hex Head, Power Steering Hose Bracket to Frame, Mounting
-13	4486 273	1	U						BRACKET, Power Steering Hose, Pressure and Return Reservoir to Pump, Mounting
-14	56044 169AA	1	J			ED0			SWITCH, Power Steering
-15	6035 358	1	U						CLIP, Oil Cooler Tube
-16	5200 2044	1	U						CLIP, Tube, Power Steering Line to Frame, Mounting

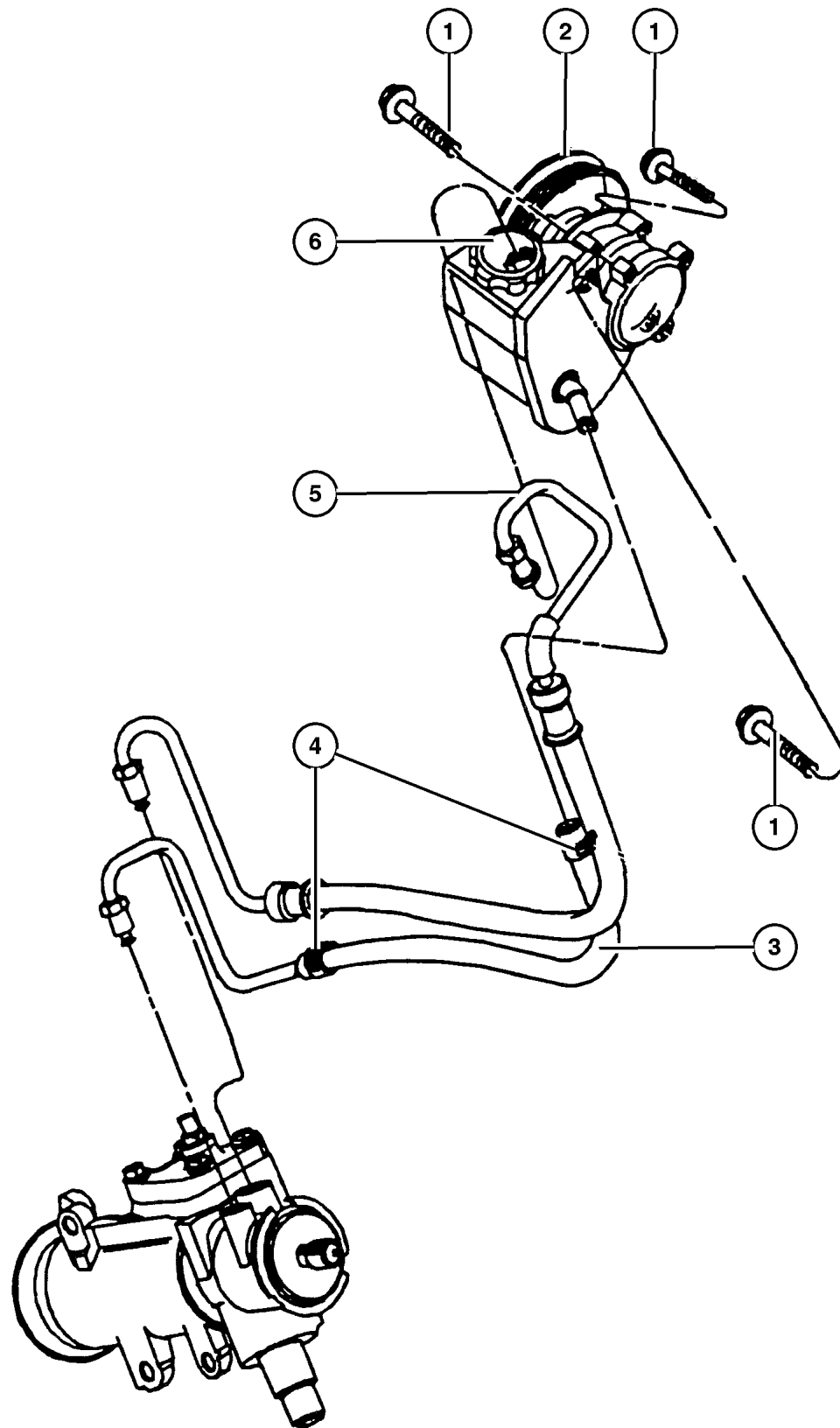
JEEP WRANGLER (TJ)

SERIES	LINE	BODY	ENGINE	TRANSMISSION
H = Sport	J = Wrangler 4WD	77 = 93.4 WB	ED1, ED0 = 2.4L DOHC	DGG, DGD = 32RH 3 Spd. Auto.
L = SE	U = Wrangler 4WD (RHD)		ERH = 4.0L Power Tech	DDD = 5 Speed HD Manual
M = X				DG0 = Auto. Trans.
P = Sahara				DBB = Manual Trans.
S = Rubicon				DDK = 5 Speed Manual

AR = Use as required - = Non illustrated part # = New this model year

January 6, 2004

## Hoses and Reservoir, 4.0L Engine [ER0] Figure 019-720



ITEM	PART NUMBER	QTY	LINE	SERIES	BODY	ENGINE	TRANS	TRIM	DESCRIPTION
Note: Sales Codes;									
[ER0]=Engines - All 4.0L 6 Cylinder Gas									
1	6502 425	3				ER0			SCREW AND WASHER, Hex Head, M8x1.25x95
2	53010 258AB	1				ER0			PULLEY, Power Steering Pump
3									HOSE, Power Steering Return
	52089 169AD	1	J			ER0			
	52089 172AD	1	U			ER0			
4									CLAMP, Hose
	2448 770	1	J			ER0			
		1	U			ER0			
5									HOSE, Power Steering Pressure
	52089 168AC	1	J			ER0			
	52089 170AC	1	U			ER0			
6	4897 287AA	1				ER0			CAP, Power Steering Reservoir
-7	3420 1888	1	U						SCREW, Hex Head, Power Steering Hose Bracket to Frame, Mounting
-8	6035 358	1	U						CLIP, Oil Cooler Tube
-9	5200 2044	1	U						CLIP, Tube, Power Steering Line to Frame
-10	4486 273	1	U						BRACKET, Power Steering Hose, Pressure and Return Reservoir to Pump
-11	6035 102	2							SCREW, Hex Flange Head Tapping, .25-14x.75, Reservoir Mounting

### JEEP WRANGLER (TJ)

SERIES	LINE	BODY	ENGINE	TRANSMISSION
H = Sport	J = Wrangler 4WD	77 = 93.4 WB	ED1, ED0 = 2.4L DOHC	DGG, DGD = 32RH 3 Spd. Auto.
L = SE	U = Wrangler 4WD (RHD)		ERH = 4.0L Power Tech	DDD = 5 Speed HD Manual
M = X				DG0 = Auto. Trans.
P = Sahara				DBB = Manual Trans.
S = Rubicon				DDK = 5 Speed Manual

AR = Use as required - = Non illustrated part # = New this model year

January 6, 2004

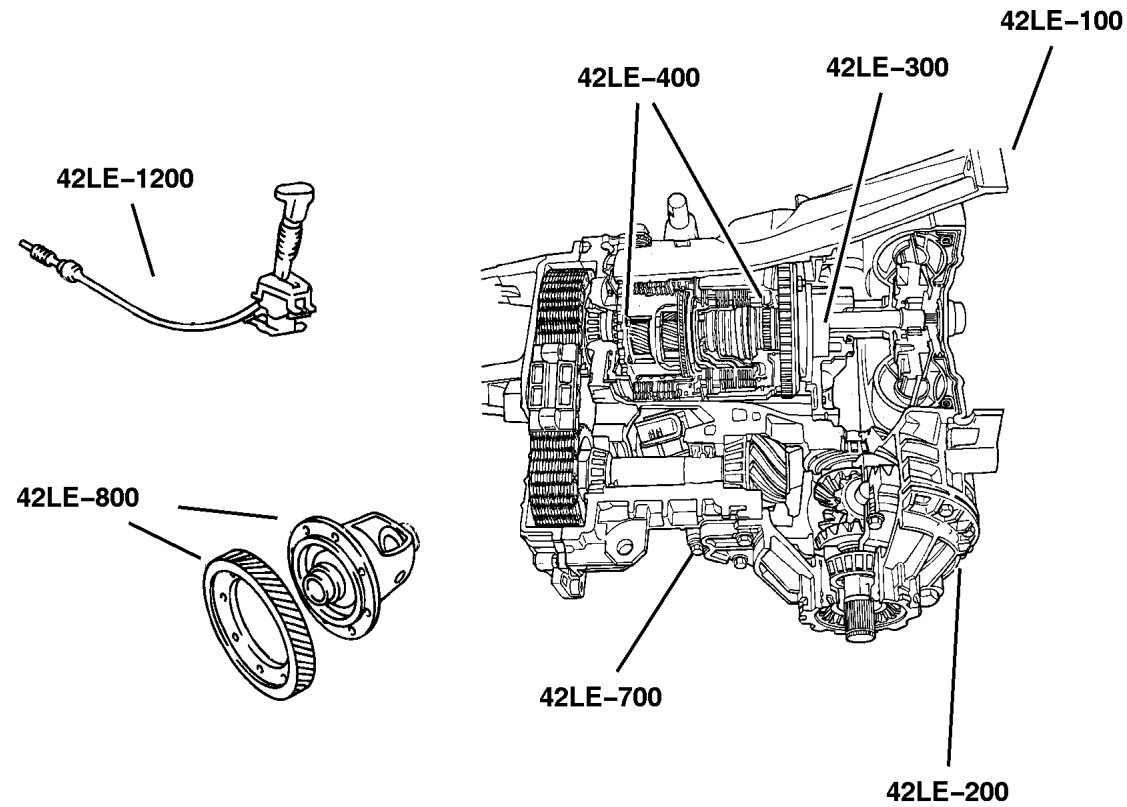
# Group – 42RLE

## Automatic Transaxle 4 Speed

### GROUP 42RLE - Automatic Transaxle 4 Speed

Illustration Title

Group-Fig. No.



#### Transaxle Assembly

Transaxle Assembly [DG6] .....	Fig. 42RLE-110
Mounting, Transmission [ED1 + DG6] .....	Fig. 42RLE-120
Mounting, Transmission [ERH + DG6] .....	Fig. 42RLE-130

#### Case and Extension

Transmission Case [DG6] .....	Fig. 42RLE-210
Adapter, Rear [DG6] .....	Fig. 42RLE-220

#### Oil Pump

Oil Pump & Reaction Shaft [DG6] .....	Fig. 42RLE-310
---------------------------------------	----------------

#### Gear Train


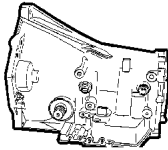

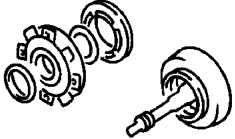


Clutch, Input Shaft [DG6] .....	Fig. 42RLE-410
Gear Train [DG6] .....	Fig. 42RLE-420

#### Valve Body

Valve Body [DG6] .....	Fig. 42RLE-710
Accumulator Piston & Springs [DG6] .....	Fig. 42RLE-720
Parking Sprag [DG6] .....	Fig. 42RLE-730

#### Gearshift Controls

Gearshift Controls [DG6] .....	Fig. 42RLE-1210
--------------------------------	-----------------

<p><b>42RLE-100</b> Transaxle Assembly</p> 	<p><b>42RLE-200</b> Case and Extension</p> 	<p><b>42RLE-300</b> Oil Pump</p> 	<p><b>42RLE-400</b> Gear Train</p> 
<p><b>42RLE-700</b> Valve Body</p> 	<p><b>42RLE-1200</b> Gearshift Controls</p> 		

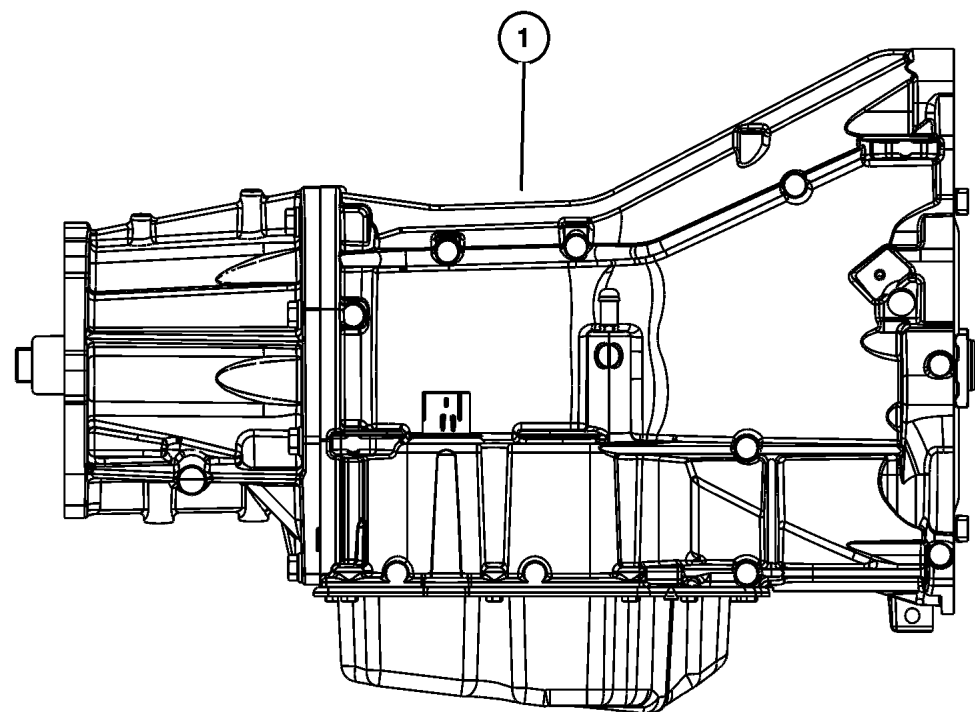
**Transaxle Assembly [DG6]  
Figure 42RLE-110**

ITEM	PART NUMBER	QTY	LINE	SERIES	BODY	ENGINE	TRANS	TRIM	DESCRIPTION
------	-------------	-----	------	--------	------	--------	-------	------	-------------

**NOTE:**

Sales Codes:  
 [DG6]=4 Speed Automatic Transmission - 42RLE  
 [ED0]=All 2.4L 4 Cyl. Engines  
 [ER0]=All 4.0L Inline 6 Engines

1									TRANSMISSION PACKAGE
	#5101 752AE	1				ER0	DG6		
	#5101 753AE	1				ED0	DG6		
-2	5093 944AA	1				ER0	DG6		CONVERTER PACKAGE, Torque
-3	4736 235AA	1				ED0	DG6		TORQUE CONVERTER
-4									OVERHAUL PACKAGE, Transmission
	5103 073AA	1				ER0	DG6		
		1				ED0	DG6		
-5	4202 151	AR					DG0		WEIGHT, Torque Converter Balance



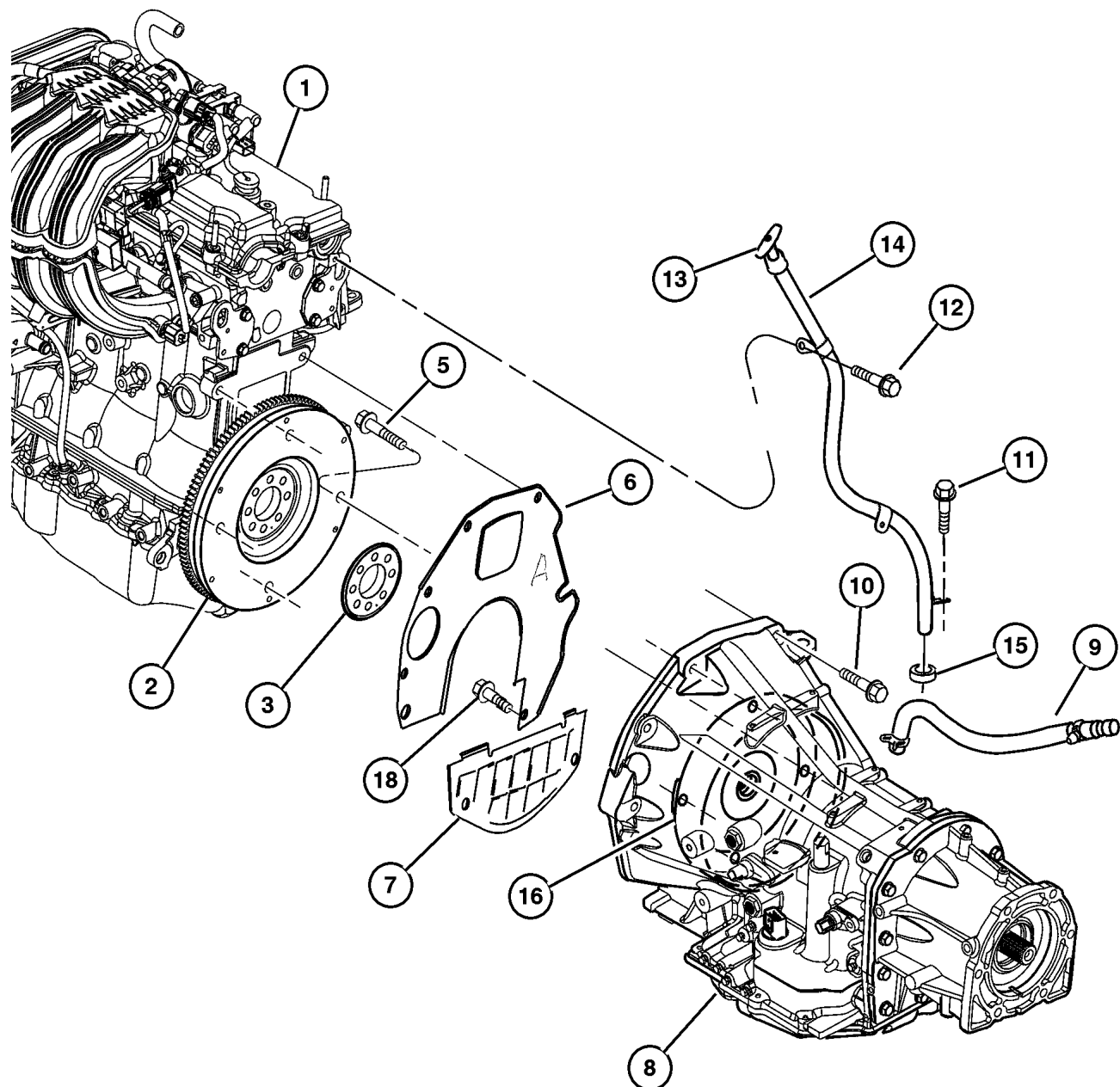
**JEEP WRANGLER (TJ)**

SERIES	LINE	BODY	ENGINE	TRANSMISSION
H = Sport	J = Wrangler 4WD	77 = 93.4 WB	ED1, ED0 = 2.4L DOHC	DGG, DGD = 32RH 3 Spd. Auto.
L = SE	U = Wrangler 4WD (RHD)		ERH = 4.0L Power Tech	DDD = 5 Speed HD Manual
M = X				DG0 = Auto. Trans.
P = Sahara				DBB = Manual Trans.
S = Rubicon				DDK = 5 Speed Manual

AR = Use as required - = Non illustrated part # = New this model year

January 6, 2004

## Mounting, Transmission [ED1 + DG6] Figure 42RLE-120



ITEM	PART NUMBER	QTY	LINE	SERIES	BODY	ENGINE	TRANS	TRIM	DESCRIPTION
NOTE:									
Sales Codes:									
[DG6]=4 Speed Automatic Transmission - 42RLE									
[ED0]=All 2.4L 4 Cyl. Engines									
[ER0]=All 4.0L Inline 6 Engines									
1									ENGINE, Complete, See Engine Group, (NOT SERVICED) (Not Serviced)
2	52104 335AA	1				ED0	DG0		PLATE, Torque Converter Drive
3	4471 933	1				ED0	DG0		PLATE, Drive Plate Backing
-4	6503 465	8				ED0	DG0		BOLT, Drive Plate and Flywheel
5	6504 383	4				ED0	DG0		BOLT, Hex Head, M10x1.50 x 13.20
6	52104 333AA	1				ED0	DG6		SHIELD, Clutch
7	53013 489AA	1				ED0	DG0		SHIELD, Lower Bell
8	#5101 753AE	1				ED0	DG6		TRANSMISSION PACKAGE
9	52104 365AB	1					DG6		TUBE, Vent
10	6501 742	4				ED0	DBB		SCREW, Hex Head, M12x1.75x50
11	6501 979	1							SCREW AND WASHER, Hex Head, M6x1x17
12	6101 506	1				ED0	DG6		BOLT AND CONED WASHER, M8x1.25x18
13	53013 560AC	1				ED0	DG0		INDICATOR, Transmission Fluid Level
14	52104 429AB	1				ED0	DG0		TUBE, Transmission Oil Filler
15	4810 021	1				ED0	DG6		GROMMET
16	4736 235AA	1				ED0	DG6		TORQUE CONVERTER
-17	5222 629	1				ED0	DG6		SEAL, Torque Converter Hub
18									SCREW, [M10X1.50X16.00], (NOT SERVICED) (Not Serviced)

### JEEP WRANGLER (TJ)

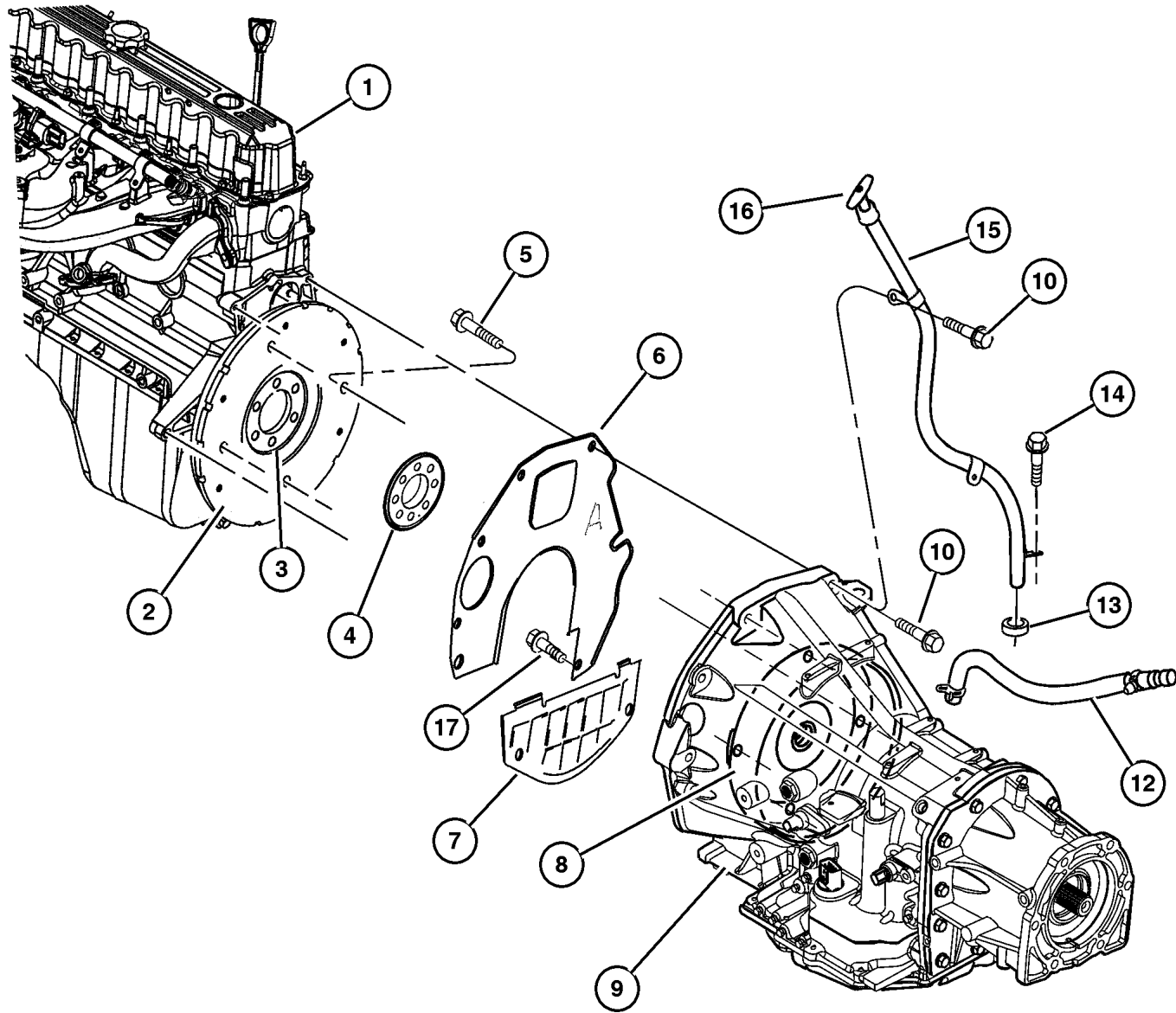
SERIES	LINE	BODY	ENGINE	TRANSMISSION
H = Sport	J = Wrangler 4WD	77 = 93.4 WB	ED1, ED0 = 2.4L DOHC	DGG, DGD = 32RH 3 Spd. Auto.
L = SE	U = Wrangler 4WD (RHD)		ERH = 4.0L Power Tech	DDD = 5 Speed HD Manual
M = X				DG0 = Auto. Trans.
P = Sahara				DBB = Manual Trans.
S = Rubicon				DDK = 5 Speed Manual

AR = Use as required - = Non illustrated part # = New this model year

January 6, 2004



**Mounting, Transmission [ERH + DG6]  
Figure 42RLE-130**



ITEM	PART NUMBER	QTY	LINE	SERIES	BODY	ENGINE	TRANS	TRIM	DESCRIPTION
NOTE:									
Sales Codes:									
[DG6]=4 Speed Automatic Transmission - 42RLE									
[ED0]=All 2.4L 4 Cyl. Engines									
[ER0]=All 4.0L Inline 6 Engines									
1									ENGINE, Complete, See Engine Group, (NOT SERVICED) (Not Serviced)
2	4752 460AB	1				ER0	DG0		PLATE, Drive Plate
3	J315 1407	6				ER0	DG0		BOLT, Hex Head, .50-20x.56
4	J321 4094	1				ER0	DG0		PLATE, Drive Plate Backing
5	6504 383	4				ER0	DG0		BOLT, Hex Head, M10x1.50 x 13.20
6	52104 426AA	1				ER0	DG6		SHIELD, Lower Bell
7	52104 427AA	1				ER0	DG6		SPACER
8	5093 944AA	1				ER0	DG6		CONVERTER PACKAGE, Torque TRANSMISSION, 4 Speed, See Illustration # 110, (NOT SERVICED) (Not Serviced)
9									
10	J400 7389	2				ER0	DG6		BOLT, Torx
-11	J400 4370	2				ER0	DG6		BOLT AND WASHER, Hex Head, .437-14x2.75
12	52104 365AB	1					DG6		TUBE, Vent
13	4810 021	1				ER0	DG6		GROMMET
14	6501 979	1							SCREW AND WASHER, Hex Head, M6x1x17
15	52104 428AB	1				ER0	DG0		TUBE, Transmission Oil Filler
16	52104 414AC	1				ER0	DG0		INDICATOR, Transmission Fluid Level
17									SCREW, [M10X1.50X16.00], (NOT SERVICED) (Not Serviced)

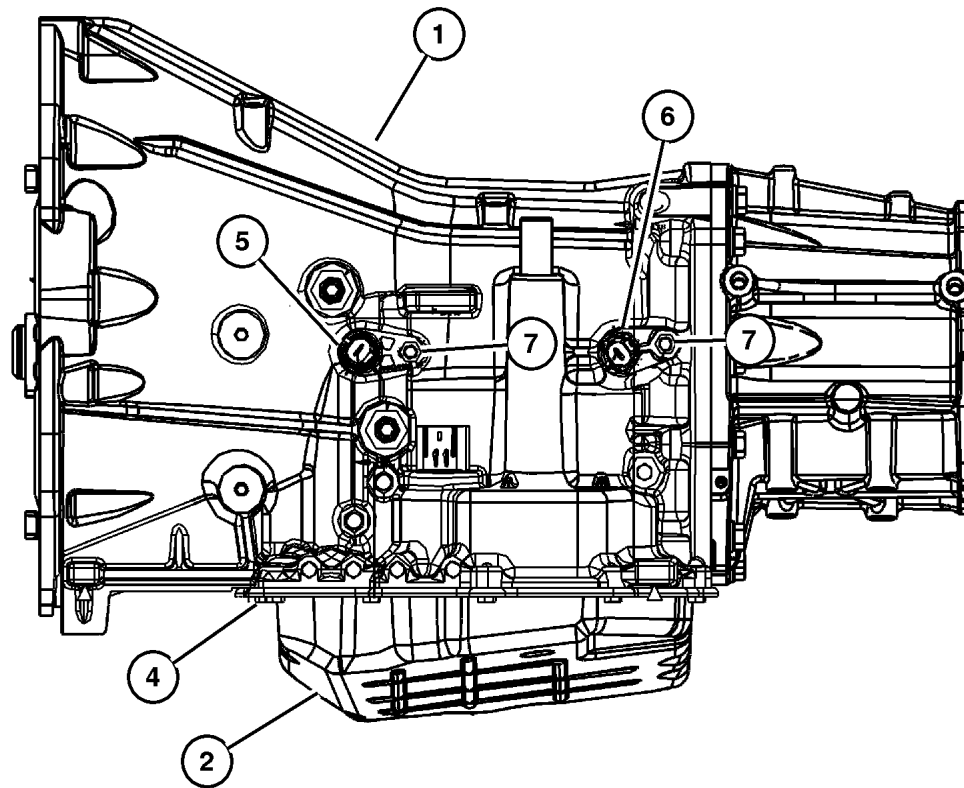
**JEEP WRANGLER (TJ)**

SERIES	LINE	BODY	ENGINE	TRANSMISSION
H = Sport	J = Wrangler 4WD	77 = 93.4 WB	ED1, ED0 = 2.4L DOHC	DGG, DGD = 32RH 3 Spd. Auto.
L = SE	U = Wrangler 4WD (RHD)		ERH = 4.0L Power Tech	DDD = 5 Speed HD Manual
M = X				DG0 = Auto. Trans.
P = Sahara				DBB = Manual Trans.
S = Rubicon				DDK = 5 Speed Manual

AR = Use as required - = Non illustrated part # = New this model year

January 6, 2004

Transmission Case [DG6]  
Figure 42RLE-210



ITEM	PART NUMBER	QTY	LINE	SERIES	BODY	ENGINE	TRANS	TRIM	DESCRIPTION
NOTE:									
Sales Codes:									
[DG6]=4 Speed Automatic Transmission - 42RLE									
[ED0]=All 2.4L 4 Cyl. Engines									
[ER0]=All 4.0L Inline 6 Engines									
1									CASE, Transmission
	5114 350AA	1				ER0	DG6		
	5114 351AA	1				ED0	DG6		
2									PAN, Transmission Oil
	52852 912AB	1				ER0	DG6		
		1				ED0	DG6		
-3									MAGNET, Transmission
	3681 601	1				ER0	DG6		
		1				ED0	DG6		
4									BOLT, Hex Head, M8x1.25x16
	6501 474	15				ER0	DG6		
		15				ED0	DG6		
5									SENSOR, Transmission Input Speed
	4799 061AB	1				ER0	DG6		
		1				ED0	DG6		
6									SENSOR, Transmission Output Speed
	52854 001AA	1				ER0	DG6		
		1				ED0	DG6		
7									BOLT, M6x1.00x20
	6101 331	2				ER0	DG6		
		2				ED0	DG6		
-8									NUT, Transmission Case
	4799 433AB	2				ER0	DG6		Transmission To Oil Cooler Lines
		2				ED0	DG6		Transmission To Oil Cooler Lines

JEEP WRANGLER (TJ)

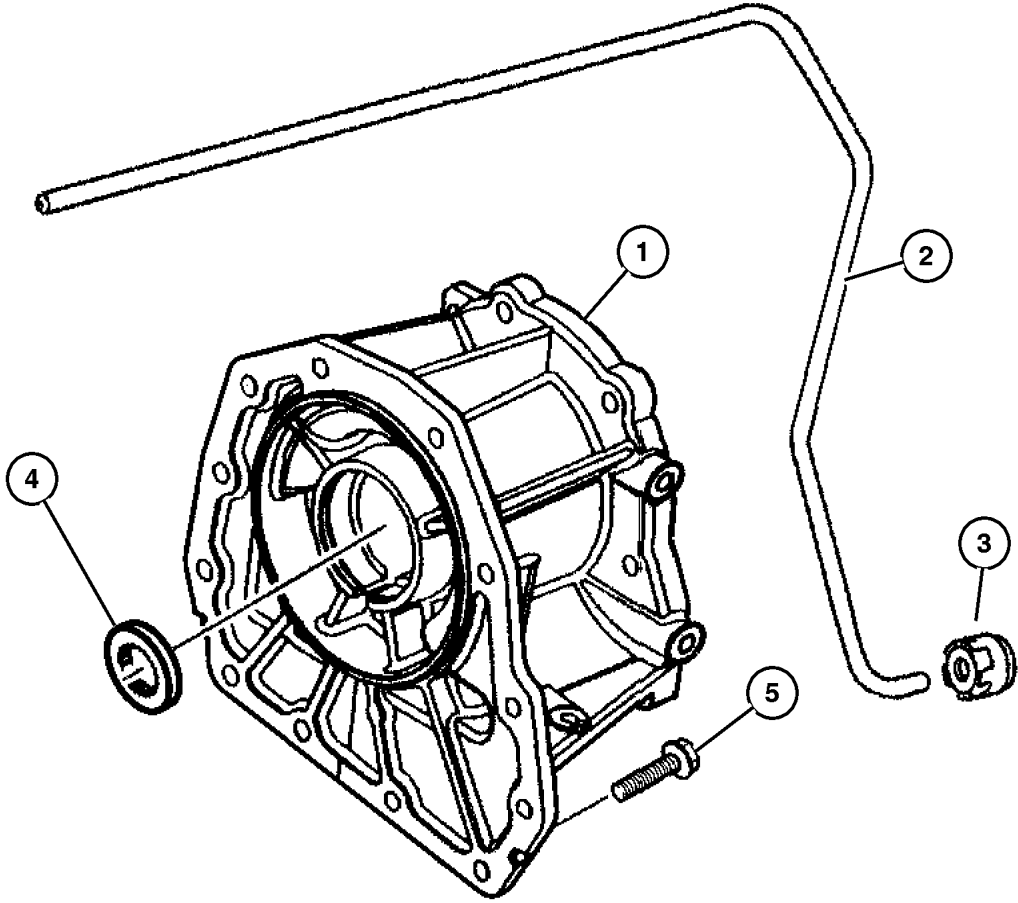
SERIES	LINE	BODY	ENGINE	TRANSMISSION
H = Sport	J = Wrangler 4WD	77 = 93.4 WB	ED1, ED0 = 2.4L DOHC	DGG, DGD = 32RH 3 Spd. Auto.
L = SE	U = Wrangler 4WD (RHD)		ERH = 4.0L Power Tech	DDD = 5 Speed HD Manual
M = X				DG0 = Auto. Trans.
P = Sahara				DBB = Manual Trans.
S = Rubicon				DDK = 5 Speed Manual

AR = Use as required - = Non illustrated part # = New this model year

January 6, 2004

Adapter, Rear [DG6]  
Figure 42RLE-220

ITEM	PART NUMBER	QTY	LINE	SERIES	BODY	ENGINE	TRANS	TRIM	DESCRIPTION
NOTE:									
Sales Codes:									
[DG6]=4 Speed Automatic Transmission - 42RLE									
[ED0]=All 2.4L 4 Cyl. Engines									
[ER0]=All 4.0L Inline 6 Engines									
1	52852 910AA	1				ER0	DG6		ADAPTER, Transmission
		1				ED0	DG6		
2	52854 177AA	1				ER0	DG6		TUBE
		1				ED0	DG6		Lube Tube
3	52852 998AA	1				ER0	DG6		SEAL, Transmission
		1				ED0	DG6		Lube Tube Grommet Seal
4	4269 956AB	1				ED0	DG6		SEAL, Adapter
		1				ER0	DG6		Output Shaft
5	6504 774	11				ER0	DG6		SCREW AND WASHER, Hex Head,
		11				ED0	DG6		M10x1.5x37

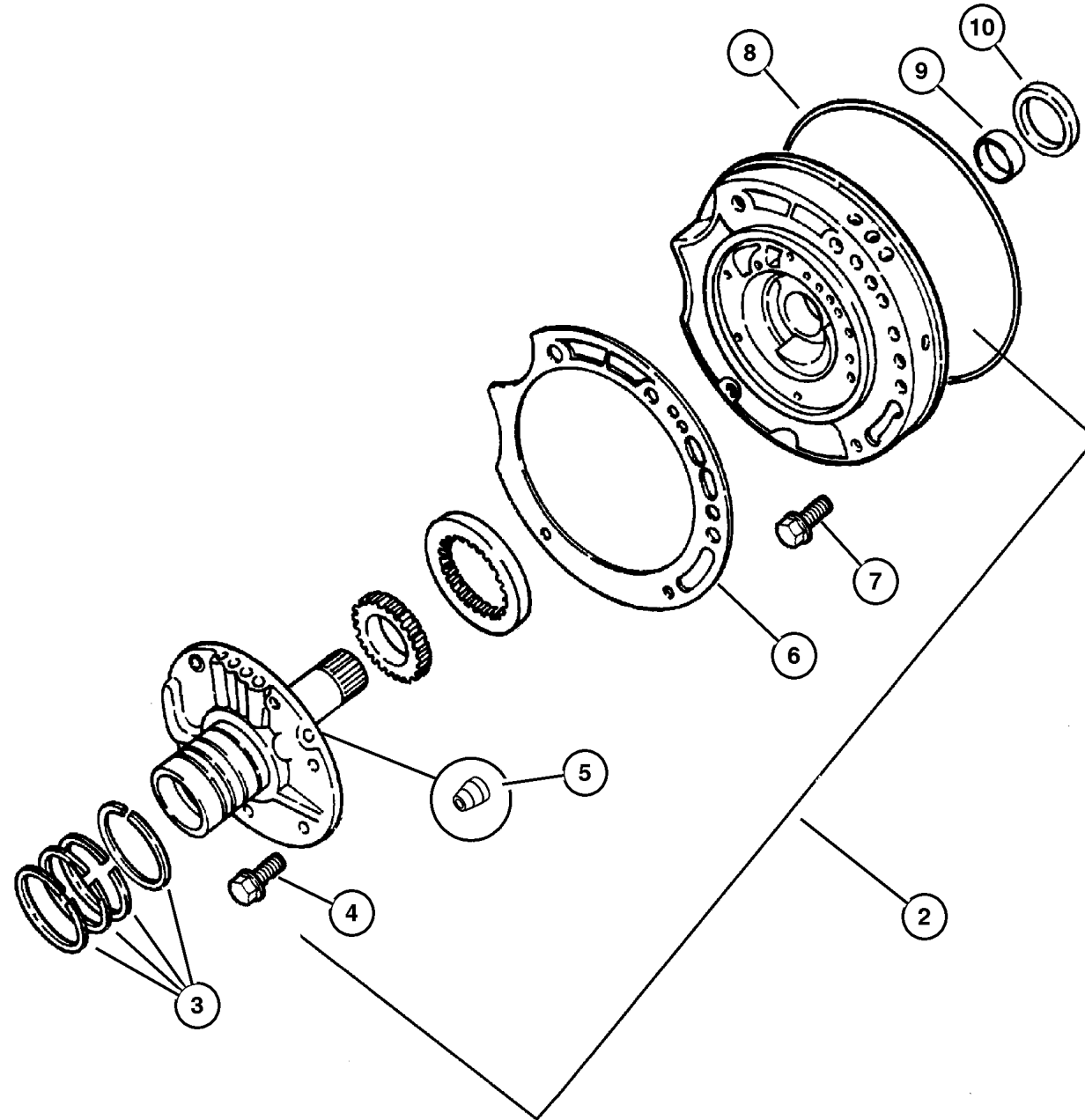


JEEP WRANGLER (TJ)

SERIES	LINE	BODY	ENGINE	TRANSMISSION
H = Sport	J = Wrangler 4WD	77 = 93.4 WB	ED1, ED0 = 2.4L DOHC	DGG, DGD = 32RH 3 Spd. Auto.
L = SE	U = Wrangler 4WD (RHD)		ERH = 4.0L Power Tech	DDD = 5 Speed HD Manual
M = X				DG0 = Auto. Trans.
P = Sahara				DBB = Manual Trans.
S = Rubicon				DDK = 5 Speed Manual

AR = Use as required - = Non illustrated part # = New this model year

**Oil Pump & Reaction Shaft [DG6]  
Figure 42RLE-310**



ITEM	PART NUMBER	QTY	LINE	SERIES	BODY	ENGINE	TRANS	TRIM	DESCRIPTION
NOTE: Sales Codes: [DG6]=4 Speed Automatic Transmission - 42RLE [ED0]=All 2.4L 4 Cyl. Engines [ER0]=All 4.0L Inline 6 Engines									
-1									SEAL AND GASKET PACKAGE, Transmission Oil Pump
	4883 260	1				ER0	DG6		
		1				ED0	DG6		
2	5101 872AA	1				ER0	DG6		PUMP, Transmission Oil
		1				ED0	DG6		
3									SEAL, Ring Reaction Support, 2 1/16 O.D.
	4471 874	4				ER0	DG6		
		4				ED0	DG6		
4									BOLT, Hex Head, M8x1.25x19
	6500 211	6				ER0	DG6		
		6				ED0	DG6		
5	0147 482	2				ER0	DG6		BALL, Check Reaction Shaft
		2				ED0	DG6		Reaction Shaft
	4446 616	2				ER0	DG6		Reaction Shaft Support
		2				ED0	DG6		Reaction Shaft Support
6									GASKET, Transmission Oil Pump
	4412 844	1				ER0	DG6		
		1				ED0	DG6		
7									SCREW AND WASHER, Hex Flange Head, M8x1.25x25
	6506 408AA	5				ER0	DG6		
		5				ED0	DG6		
8	4659 945	1				ER0	DG6		SEAL, Oil Pump
		1				ED0	DG6		
9	4659 515	1				ER0	DG6		BUSHING, Front Pump
		1				ED0	DG6		
10	4412 475	1				ER0	DG6		SEAL, Impeller Hub, 57.25mm OD
		1				ED0	DG6		

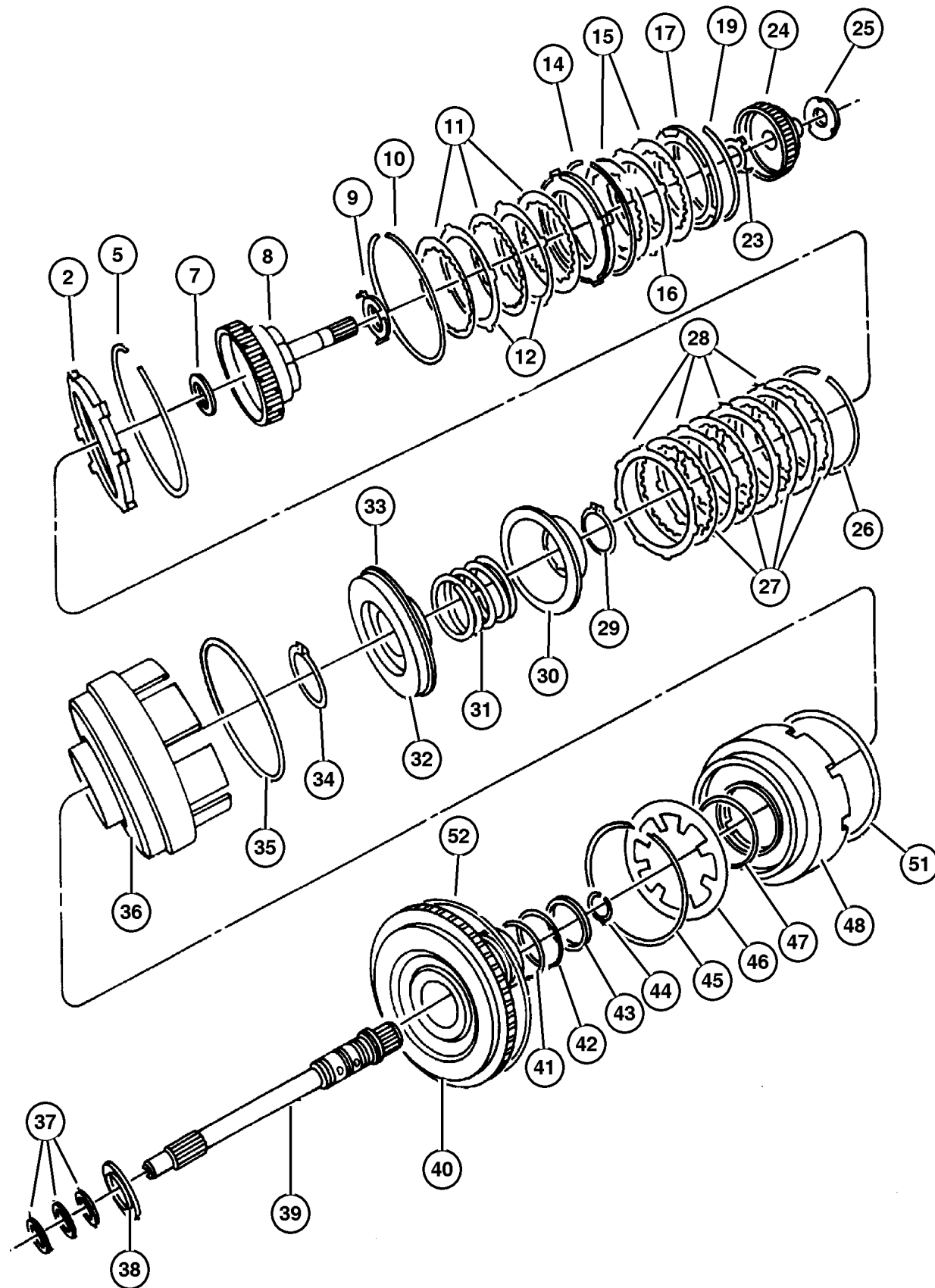
**JEEP WRANGLER (TJ)**

SERIES	LINE	BODY	ENGINE	TRANSMISSION
H = Sport	J = Wrangler 4WD	77 = 93.4 WB	ED1, ED0 = 2.4L DOHC	DGG, DGD = 32RH 3 Spd. Auto.
L = SE	U = Wrangler 4WD (RHD)		ERH = 4.0L Power Tech	DDD = 5 Speed HD Manual
M = X				DG0 = Auto. Trans.
P = Sahara				DBB = Manual Trans.
S = Rubicon				DDK = 5 Speed Manual

AR = Use as required - = Non illustrated part # = New this model year

January 6, 2004

## Clutch, Input Shaft [DG6] Figure 42RLE-410



ITEM	PART NUMBER	QTY	LINE	SERIES	BODY	ENGINE	TRANS	TRIM	DESCRIPTION
<b>NOTE:</b>									
Sales Codes:									
[DG6]=4 Speed Automatic Transmission - 42RLE									
[ED0]=All 2.4L 4 Cyl. Engines									
[ER0]=All 4.0L Inline 6 Engines									
-1									SEAL AND GASKET PACKAGE, Transmission Front Clutch
	4883 240AB	1				ED0	DG6		
		1				ER0	DG6		
2									PLATE PACKAGE, Underdrive Reaction, 5.72/5.82
	4883 013AB	1				ER0	DG6		
		1				ED0	DG6		
-3									PLATE PACKAGE, Underdrive Reaction, 6.21/6.31
	4883 014AB	1				ER0	DG6		
		1				ED0	DG6		
-4									PLATE PACKAGE, Underdrive Reaction, 6.70/6.80
	4883 015AB	1				ER0	DG6		
		1				ED0	DG6		
5									SNAP RING, Underdrive Clutch, Tapered
	4659 934	1				ER0	DG6		
		1				ED0	DG6		
-6									SNAP RING, Underdrive Clutch, Flat
	4659 980	1				ER0	DG6		
		1				ED0	DG6		
7									THRUST BEARING
	4567 262	1				ER0	DG6		Input Clutch
		1				ED0	DG6		Input Clutch
8									HUB AND SHAFT PACKAGE, Underdrive Clutch
	4864 936AC	1				ER0	DG6		With Shaft & Thrust Washer
		1				ED0	DG6		With Shaft & Thrust Washer
9									PLATE AND WASHER PACKAGE, Thrust
	5018 923AA	1				ER0	DG6		
		1				ED0	DG6		
10									SNAP RING
	4505 621	1				ED0	DG6		Reverse & Overdrive Clutch Pressure Plate, Wave

### JEEP WRANGLER (TJ)

SERIES  
H = Sport  
L = SE  
M = X  
P = Sahara  
S = Rubicon

LINE  
J = Wrangler 4WD  
U = Wrangler 4WD (RHD)

BODY  
77 = 93.4 WB

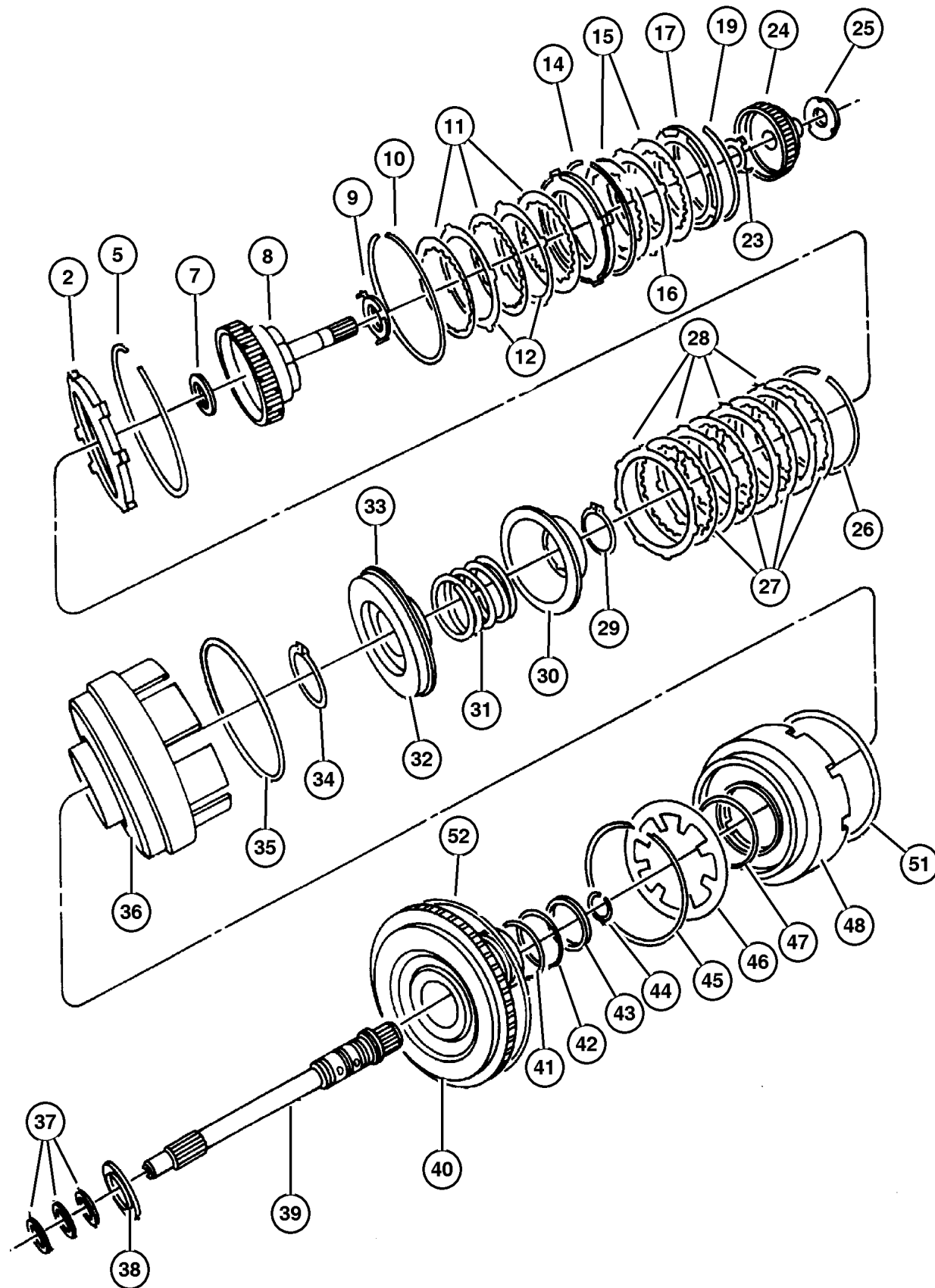
ENGINE  
ED1, ED0 = 2.4L DOHC  
ERH = 4.0L Power Tech

TRANSMISSION  
DGG, DGD = 32RH 3 Spd.  
Auto.  
DDD = 5 Speed HD Manual  
DG0 = Auto. Trans.  
DBB = Manual Trans.  
DDK = 5 Speed Manual

AR = Use as required - = Non illustrated part # = New this model year

January 6, 2004

Clutch, Input Shaft [DG6]  
Figure 42RLE-410



ITEM	PART NUMBER	QTY	LINE	SERIES	BODY	ENGINE	TRANS	TRIM	DESCRIPTION
		1				ER0	DG6		Reverse & Overdrive Clutch
11	4531 678	4				ER0	DG6		Pressure Plate, Wave DISC, Clutch
		4				ED0	DG6		
12	4659 053	3				ER0	DG6		PLATE, Transmission O/Drive Clutch
		3				ED0	DG6		
-13									HUB PACKAGE, Input Clutch
	5017 518AB	1				ER0	DG6		
		1				ED0	DG6		
14	4505 622	1				ER0	DG6		SNAP RING Reverse & Overdrive Pressure Plate, Flat
		1				ED0	DG6		Reverse & Overdrive Pressure Plate, Flat
15	4531 678	4				ER0	DG6		DISC, Clutch
		4				ED0	DG6		
16	4659 053	3				ED0	DG6		PLATE, Transmission O/Drive Clutch Reverse Clutch
		3				ER0	DG6		Reverse Clutch
17	4377 194	1				ED0	DG6		PLATE, Transmission Clutch Reaction
		1				ER0	DG6		Reverse
-18	4531 556AD	1				ER0	DG6		PLATE, Transmission O/Drive Clutch Reverse & Overdrive Clutch
		1				ED0	DG6		Reverse & Overdrive Clutch
19	4377 195	1				ER0	DG6		SNAP RING [1.53 - 1.58]MM
		1				ED0	DG6		[1.53 - 1.58]MM
-20	4412 871	1				ED0	DG6		SNAP RING, Reverse Clutch, 1.77-1.83mm
		1				ER0	DG6		[1.77 - 1.83]MM
-21	4412 872	1				ER0	DG6		SNAP RING, Reverse Clutch, 2.02-2.07mm
		1				ED0	DG6		[2.02 - 2.07]MM
-22									SNAP RING, Reverse Clutch, 2.27-2.32mm

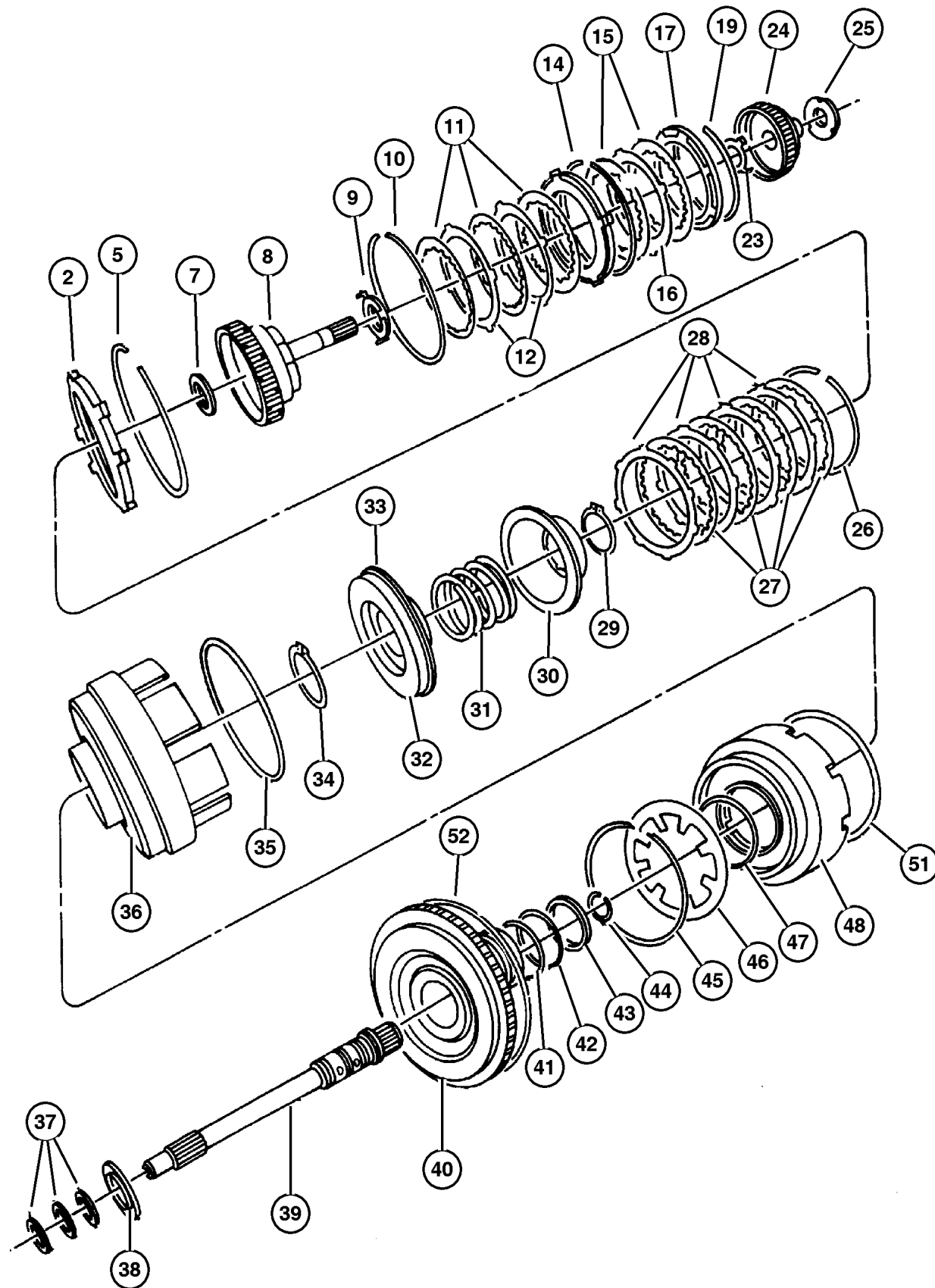
JEEP WRANGLER (TJ)

SERIES	LINE	BODY	ENGINE	TRANSMISSION
H = Sport	J = Wrangler 4WD	77 = 93.4 WB	ED1, ED0 = 2.4L DOHC	DGG, DGD = 32RH 3 Spd. Auto.
L = SE	U = Wrangler 4WD (RHD)		ERH = 4.0L Power Tech	DDD = 5 Speed HD Manual
M = X				DG0 = Auto. Trans.
P = Sahara				DBB = Manual Trans.
S = Rubicon				DDK = 5 Speed Manual

AR = Use as required - = Non illustrated part # = New this model year

January 6, 2004

Clutch, Input Shaft [DG6]  
Figure 42RLE-410



ITEM	PART NUMBER	QTY	LINE	SERIES	BODY	ENGINE	TRANS	TRIM	DESCRIPTION
	4412 873	1				ED0	DG6		[2.27 - 2.32]MM
23		1				ER0	DG6		[2.27 - 2.32]MM PLATE AND WASHER PACKAGE, Thrust
	5018 923AA	1				ER0	DG6		
24		1				ED0	DG6		HUB AND SHAFT, Overdrive Clutch
	4659 993	1				ED0	DG6		
		1				ER0	DG6		
25									PLATE, Transmission O/Drive Clutch
	3836 237AB	AR				ER0	DG6		[1.70 - 1.77]MM
	3836 241AB	AR				ED0	DG6		[2.58 - 2.65]MM
	4431 665AB	AR				ER0	DG6		[1.55 - 1.66]MM
		AR				ED0	DG6		[1.55 - 1.66]MM
	4431 666AB	AR				ED0	DG6		[1.81 - 1.88]MM
		AR				ER0	DG6		[1.81 - 1.88]MM
	4431 667AB	AR				ED0	DG6		[2.03 - 2.10]MM
		AR				ER0	DG6		[2.03 - 2.10]MM
	4431 668AB	AR				ED0	DG6		[2.25 - 2.32]MM
		AR				ER0	DG6		[2.25 - 2.32]MM
	4431 669AB	AR				ER0	DG6		[2.47 - 2.54]MM
	3836 237AB	AR				ED0	DG6		[1.70 - 1.77]MM
	4431 669AB	AR				ED0	DG6		[2.47 - 2.54]MM
	4446 670AB	AR				ER0	DG6		[2.69 - 2.76]MM
		AR				ED0	DG6		[2.69 - 2.76]MM
	4446 671AB	AR				ED0	DG6		[2.91 - 2.98]MM
		AR				ER0	DG6		[2.91 - 2.98]MM
	3836 238AB	AR				ER0	DG6		[1.92 - 1.99]MM
		AR				ED0	DG6		[1.92 - 1.99]MM
	3836 239AB	AR				ER0	DG6		[2.14 - 2.21]MM
		AR				ED0	DG6		[2.14 - 2.21]MM
	3836 240AB	AR				ED0	DG6		[2.36 - 2.43]MM
		AR				ER0	DG6		[2.36 - 2.43]MM
	3836 241AB	AR				ER0	DG6		[2.58 - 2.65]MM
26									SNAP RING, Underdrive Clutch, Flat
	4659 980	1				ER0	DG6		[1.53 - 1.58]MM
		1				ED0	DG6		[1.53 - 1.58]MM
27									DISC, Clutch
	4531 678	4				ER0	DG6		
		4				ED0	DG6		
28									PLATE, Transmission O/Drive Clutch

JEEP WRANGLER (TJ)

SERIES  
H = Sport  
L = SE  
M = X  
P = Sahara  
S = Rubicon

LINE  
J = Wrangler 4WD  
U = Wrangler 4WD (RHD)

BODY  
77 = 93.4 WB

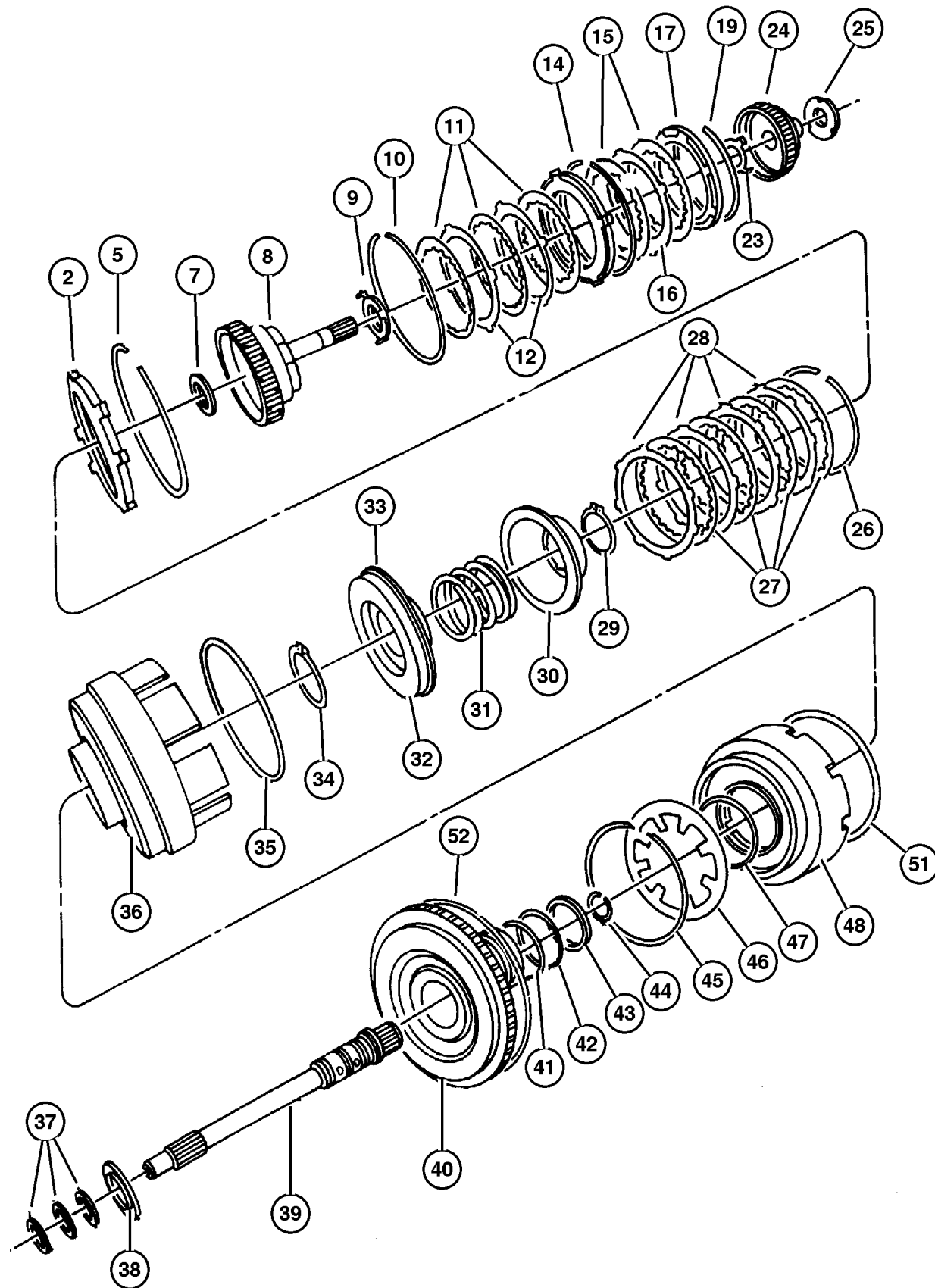
ENGINE  
ED1, ED0 = 2.4L DOHC  
ERH = 4.0L Power Tech

TRANSMISSION  
DGG, DGD = 32RH 3 Spd.  
Auto.  
DDD = 5 Speed HD Manual  
DGO = Auto. Trans.  
DBB = Manual Trans.  
DDK = 5 Speed Manual

AR = Use as required - = Non illustrated part # = New this model year

January 6, 2004

Clutch, Input Shaft [DG6]  
Figure 42RLE-410



ITEM	PART NUMBER	QTY	LINE	SERIES	BODY	ENGINE	TRANS	TRIM	DESCRIPTION
	4659 053	4				ED0	DG6		
		4				ER0	DG6		
29	6501 715	1				ED0	DG6		SNAP RING
		1				ER0	DG6		
30									RETAINER AND SEAL, Transmission U/Drive Spring
	4431 612	1				ED0	DG6		
		1				ER0	DG6		
31									SPRING, Drive Lower Case
	4377 177	1				ER0	DG6		
		1				ED0	DG6		
32									OVERHAUL PACKAGE, Transmission Include Under Drive Piston & Seals
	5103 073AA	1				ER0	DG6		
		1				ED0	DG6		Include Under Drive Piston & Seals
33									PISTON, Underdrive Also Available In Overhaul Package Also Available In Overhaul Package
	4431 610	1				ER0	DG6		
		1				ED0	DG6		
34									SNAP RING
	6507 226AA	1				ED0	DG6		
		1				ER0	DG6		
35									SEAL, Piston Outer, 140mm OD
	4659 871	1				ED0	DG6		
		1				ER0	DG6		
36									RETAINER, Transmission Input Clutch
	4659 935	1				ED0	DG6		
		1				ER0	DG6		
37									SEAL, Input Shaft
	4446 543	3				ER0	DG6		
		3				ED0	DG6		
38									THRUST BEARING
	4412 209	1				ED0	DG6		
		1				ER0	DG6		
39									INPUT SHAFT PACKAGE, Transaxle
	4626 452AB	1				ER0	DG6		
		1				ED0	DG6		

JEEP WRANGLER (TJ)

SERIES  
H = Sport  
L = SE  
M = X  
P = Sahara  
S = Rubicon

LINE  
J = Wrangler 4WD  
U = Wrangler 4WD (RHD)

BODY  
77 = 93.4 WB

ENGINE  
ED1, ED0 = 2.4L DOHC  
ERH = 4.0L Power Tech

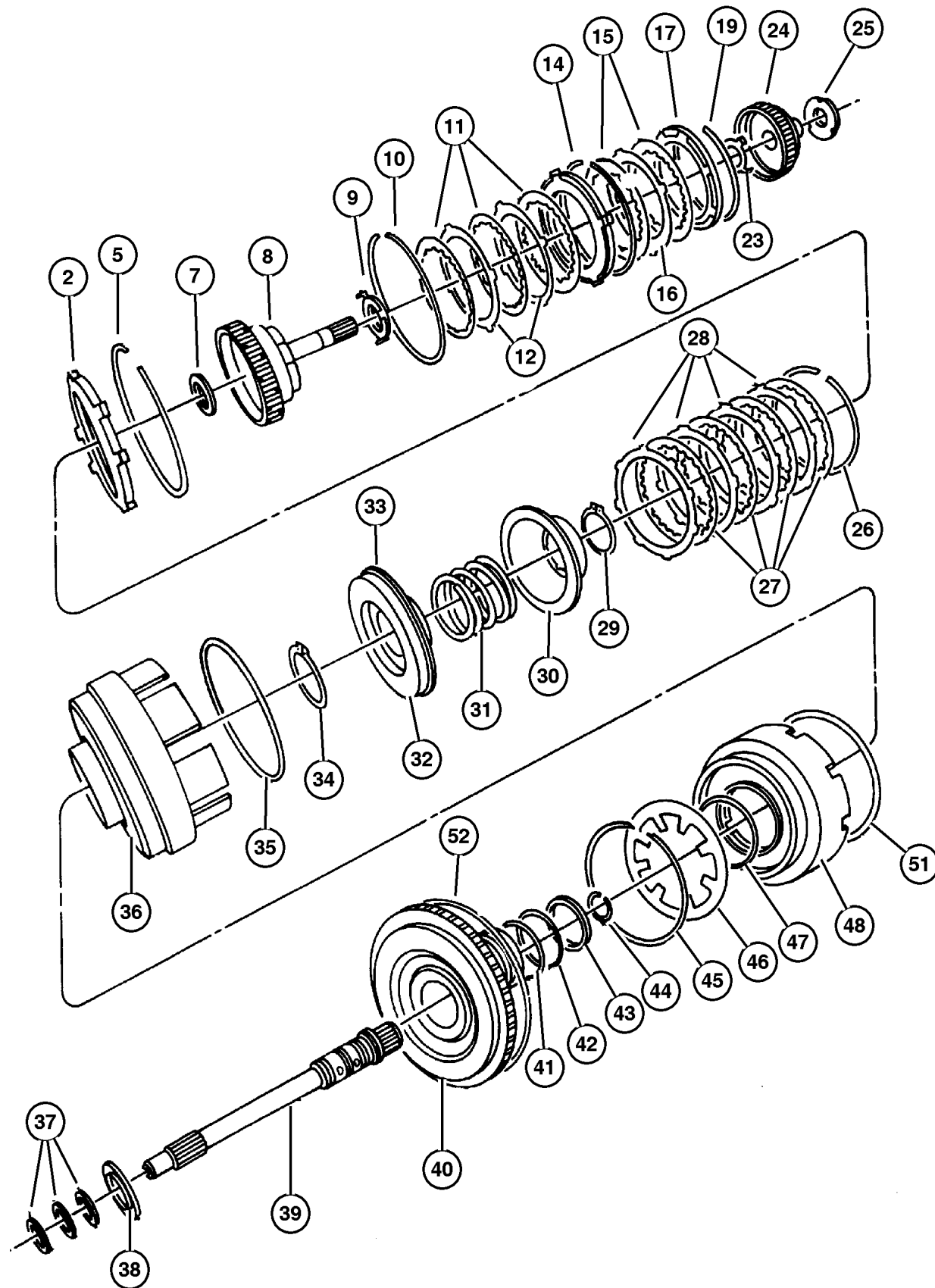
TRANSMISSION  
DGG, DGD = 32RH 3 Spd.  
Auto.  
DDD = 5 Speed HD Manual  
DGO = Auto. Trans.  
DDB = Manual Trans.  
DDK = 5 Speed Manual

AR = Use as required - = Non illustrated part # = New this model year

January 6, 2004



Clutch, Input Shaft [DG6]  
Figure 42RLE-410



ITEM	PART NUMBER	QTY	LINE	SERIES	BODY	ENGINE	TRANS	TRIM	DESCRIPTION
40									HUB, Input Clutch, Serviced in Assembly, (NOT SERVICED) (Not Serviced)
41	6502 271	1				ER0	DG6		O RING, Transmission Clutch
		1				ED0	DG6		
42	6502 269	1				ER0	DG6		O RING, Transmission Clutch
		1				ED0	DG6		
43	4659 391AB	1				ED0	DG6		SEAL, Under Drive
		1				ER0	DG6		
44									SNAP RING
	6501 702	1				ED0	DG6		
		1				ER0	DG6		
45	4412 203	1				ED0	DG6		SNAP RING
		1				ER0	DG6		
46	4412 202	1				ED0	DG6		SPRING, Overdrive Piston
		1				ER0	DG6		
47									O RING, Reverse & O/Drive Clutch Piston, Transmission
	6033 158	1				ED0	DG6		
		1				ER0	DG6		
48	5017 518AB	1				ER0	DG6		HUB PACKAGE, Input Clutch
		1				ED0	DG6		
-49									PISTON, Reverse and Overdrive, Serviced in Assembly, (NOT SERVICED) (Not Serviced)
-50	4531 903	1				ER0	DG6		FILTER, Reverse And O/D Clutch
		1				ED0	DG6		
51	4659 056	1				ER0	DG6		SEAL, Reverse Servo Piston
		1				ED0	DG6		
52	4659 056	1				ER0	DG6		SEAL, Reverse Servo Piston
		1				ED0	DG6		

JEEP WRANGLER (TJ)

SERIES  
H = Sport  
L = SE  
M = X  
P = Sahara  
S = Rubicon

LINE  
J = Wrangler 4WD  
U = Wrangler 4WD (RHD)

BODY  
77 = 93.4 WB

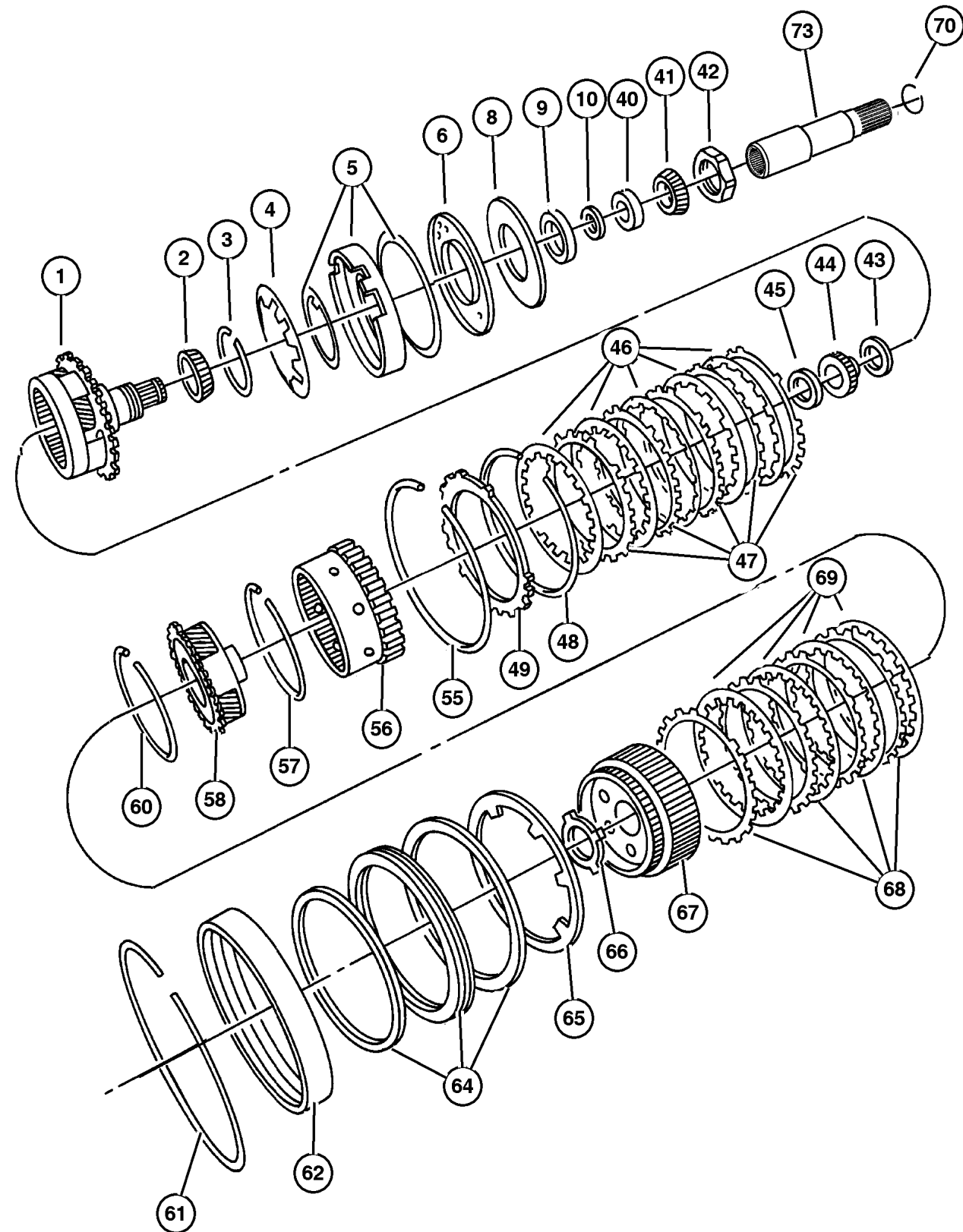
ENGINE  
ED1, ED0 = 2.4L DOHC  
ERH = 4.0L Power Tech

TRANSMISSION  
DGG, DGD = 32RH 3 Spd. Auto.  
DDD = 5 Speed HD Manual  
DG0 = Auto. Trans.  
DBB = Manual Trans.  
DDK = 5 Speed Manual

AR = Use as required - = Non illustrated part # = New this model year

January 6, 2004

**Gear Train [DG6]  
Figure 42RLE-420**



ITEM	PART NUMBER	QTY	LINE	SERIES	BODY	ENGINE	TRANS	TRIM	DESCRIPTION
------	-------------	-----	------	--------	------	--------	-------	------	-------------

**NOTE:**

Sales Codes:

[DG6]=4 Speed Automatic Transmission - 42RLE

[ED0]=All 2.4L 4 Cyl. Engines

[ER0]=All 4.0L Inline 6 Engines

1									CARRIER AND BEARING, Planet Pinion
	5101 874AA	1				ER0	DG6		
		1				ED0	DG6		
2									BEARING CONE, Output Shaft
	4412 235	1				ED0	DG6		
		1				ER0	DG6		
3									SNAP RING
	6501 853	1				ED0	DG6		
		1				ER0	DG6		
4									SPRING, Low/Reverse Clutch Piston
	#4800 236AA	1				ER0	DG6		
		1				ED0	DG6		
5									PISTON, Low and Reverse Clutch
	#4800 261AA	1				ER0	DG6		
		1				ED0	DG6		
6									RETAINER, Transmission Low and Reverse Clutch Piston
	4800 255AA	1				ED0	DG6		
		1				ER0	DG6		
-7									SCREW AND WASHER, Pan Head, M5x0.8x11.00
	6501 819	3				ED0	DG6		
		3				ER0	DG6		
8									GASKET, Clutch Retainer
	4800 253AA	1				ED0	DG6		
		1				ER0	DG6		
9									BEARING CUP, Output Shaft
	4412 234	1				ED0	DG6		
		1				ER0	DG6		
10									SHIM, Carrier Bearing, 5.17 - 5.19mm
	5280 020	AR				ED0	DG6		
		AR				ER0	DG6		
-11									SHIM, Carrier Bearing, 5.20 - 5.22mm

**JEEP WRANGLER (TJ)**

SERIES

H = Sport

L = SE

M = X

P = Sahara

S = Rubicon

LINE

J = Wrangler 4WD

U = Wrangler 4WD (RHD)

BODY

77 = 93.4 WB

ENGINE

ED1, ED0 = 2.4L DOHC

ERH = 4.0L Power Tech

TRANSMISSION

DGG, DGD = 32RH 3 Spd.

Auto.

DDD = 5 Speed HD Manual

DG0 = Auto. Trans.

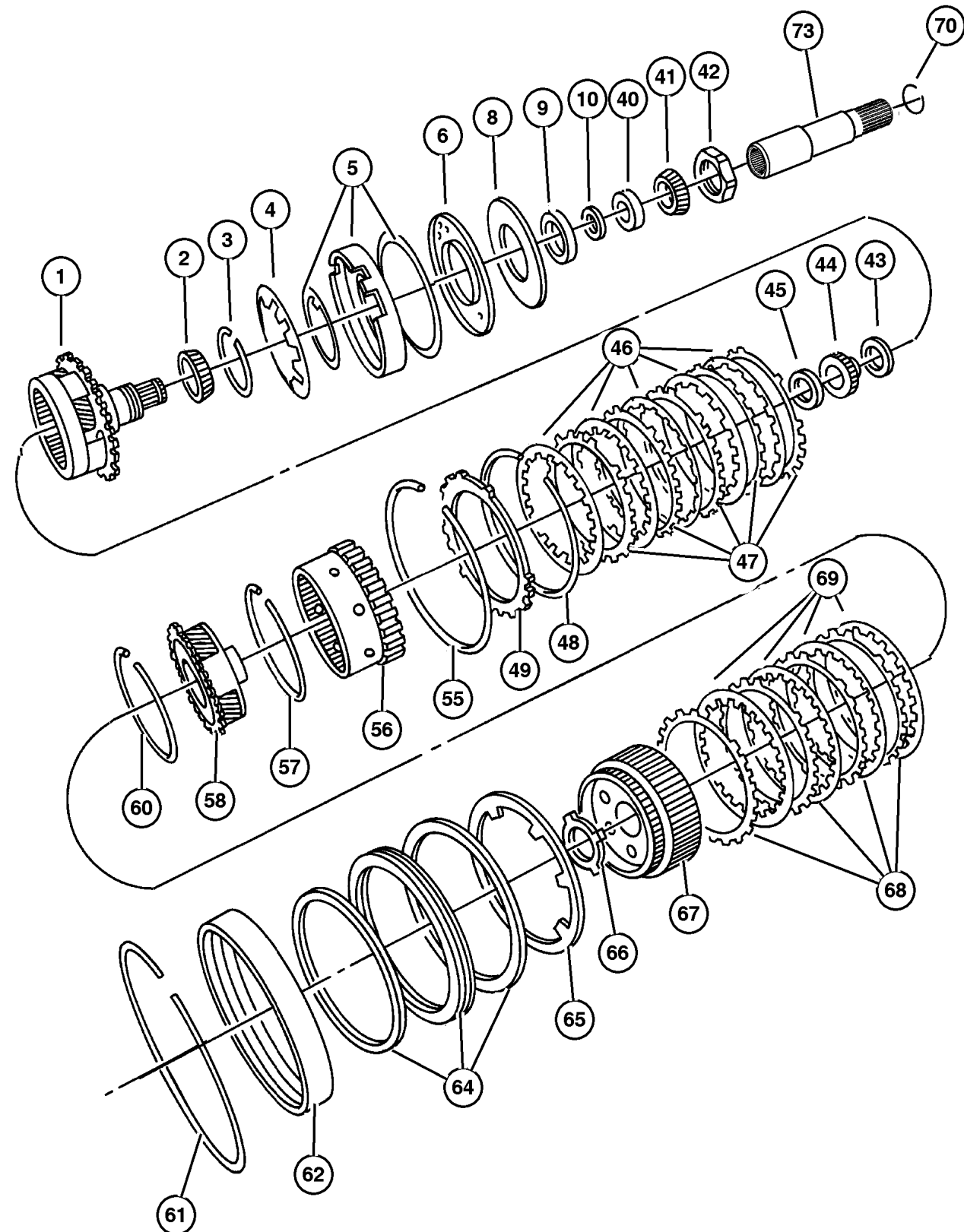
DBB = Manual Trans.

DDK = 5 Speed Manual

AR = Use as required - = Non illustrated part # = New this model year

January 6, 2004

**Gear Train [DG6]  
Figure 42RLE-420**



ITEM	PART NUMBER	QTY	LINE	SERIES	BODY	ENGINE	TRANS	TRIM	DESCRIPTION
	5280 021	AR				ED0	DG6		
-12		AR				ER0	DG6		SHIM, Carrier Bearing, 5.23 - 5.25mm
	5280 022	AR				ED0	DG6		
-13		AR				ER0	DG6		SHIM, Carrier Bearing, 5.26 - 5.28mm
	5280 023	AR				ED0	DG6		
-14		AR				ER0	DG6		SHIM, Carrier Bearing, 5.29 - 5.31mm
	5280 024	AR				ED0	DG6		
-15		AR				ER0	DG6		SHIM, Carrier Bearing, 5.32 - 5.34mm
	5280 025	AR				ED0	DG6		
-16		AR				ER0	DG6		SHIM, Carrier Bearing, 5.35 - 5.37mm
	5280 026	AR				ED0	DG6		
-17		AR				ER0	DG6		SHIM, Carrier Bearing, 5.38 - 5.40mm
	5280 027	AR				ED0	DG6		
-18		AR				ER0	DG6		SHIM, Carrier Bearing, 5.41 - 5.43mm
	5280 028	AR				ED0	DG6		
-19		AR				ER0	DG6		SHIM, Carrier Bearing, 5.44 - 5.46mm
	5280 029	AR				ED0	DG6		
-20		AR				ER0	DG6		SHIM, Carrier Bearing, 5.47 - 5.49mm
	5280 030	AR				ED0	DG6		
-21		AR				ER0	DG6		SHIM, Carrier Bearing, 5.50 - 5.52mm
	5280 031	AR				ED0	DG6		

**JEEP WRANGLER (TJ)**

SERIES  
H = Sport  
L = SE  
M = X  
P = Sahara  
S = Rubicon

LINE  
J = Wrangler 4WD  
U = Wrangler 4WD (RHD)

BODY  
77 = 93.4 WB

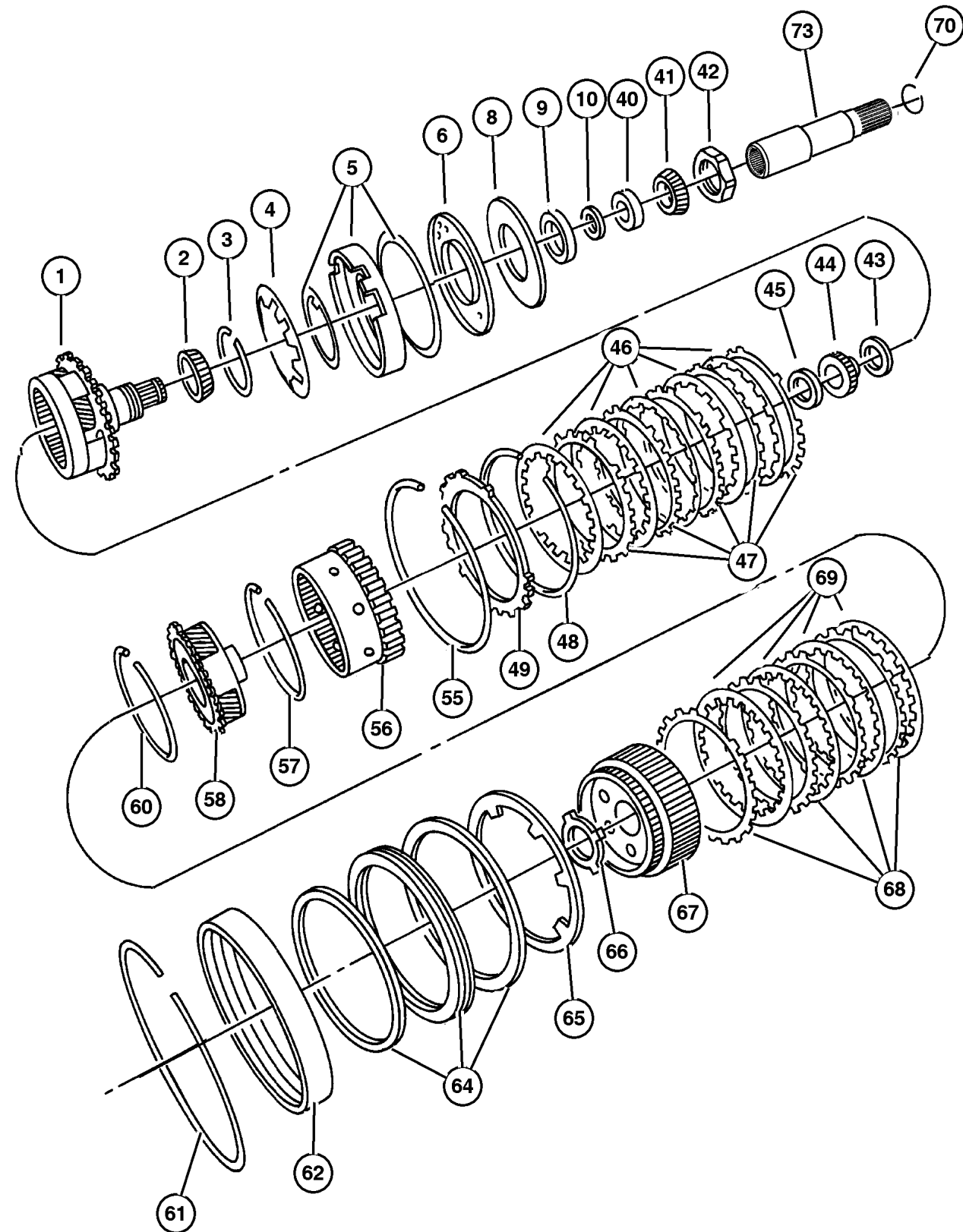
ENGINE  
ED1, ED0 = 2.4L DOHC  
ERH = 4.0L Power Tech

TRANSMISSION  
DGG, DGD = 32RH 3 Spd. Auto.  
DDD = 5 Speed HD Manual  
DG0 = Auto. Trans.  
DBB = Manual Trans.  
DDK = 5 Speed Manual

AR = Use as required - = Non illustrated part # = New this model year

January 6, 2004

**Gear Train [DG6]  
Figure 42RLE-420**



ITEM	PART NUMBER	QTY	LINE	SERIES	BODY	ENGINE	TRANS	TRIM	DESCRIPTION
						ER0	DG6		
-22						ED0	DG6		SHIM, Carrier Bearing, 5.53 - 5.55mm
	5280 032	AR				ER0	DG6		
-23						ED0	DG6		SHIM, Carrier Bearing, 5.56 - 5.58mm
	5280 033	AR				ER0	DG6		
-24						ED0	DG6		SHIM, Carrier Bearing, 5.59 - 5.61mm
	5280 034	AR				ER0	DG6		
-25						ED0	DG6		SHIM, Carrier Bearing, 5.62 - 5.64mm
	5280 035	AR				ER0	DG6		
-26						ED0	DG6		SHIM, Carrier Bearing, 5.65 - 5.67mm
	5280 036	AR				ER0	DG6		
-27						ED0	DG6		SHIM, Carrier Bearing, 5.68 - 5.70mm
	5280 037	AR				ER0	DG6		
-28						ED0	DG6		SHIM, Carrier Bearing, 5.71 - 5.73mm
	5280 038	AR				ER0	DG6		
-29						ED0	DG6		SHIM, Carrier Bearing, 5.74 - 5.76mm
	5280 039	AR				ER0	DG6		
-30						ED0	DG6		SHIM, Carrier Bearing, 5.77 - 5.79mm
	5280 040	AR				ER0	DG6		
-31						ED0	DG6		SHIM, Carrier Bearing, 5.80 - 5.82mm
	5280 041	AR				ER0	DG6		

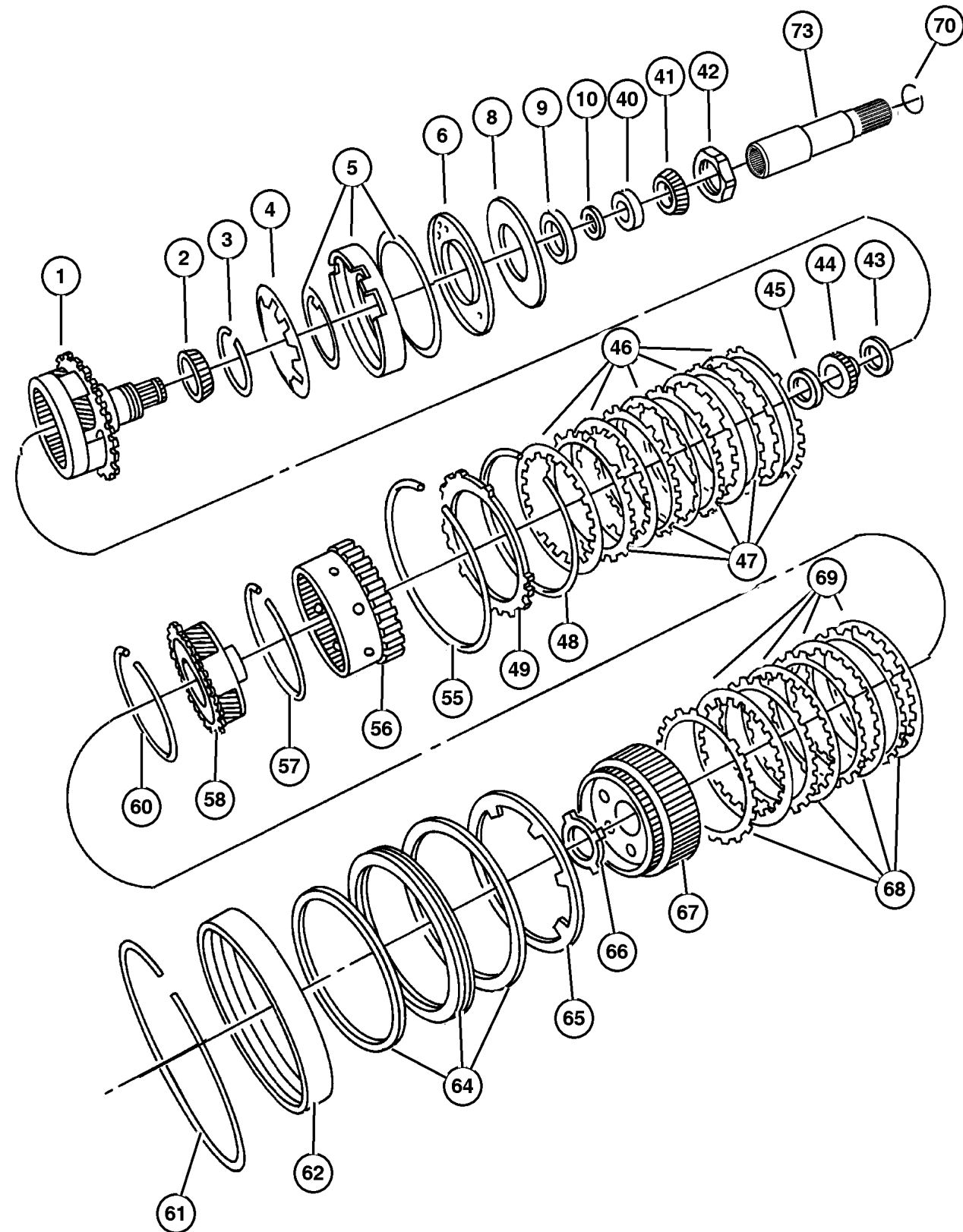
**JEEP WRANGLER (TJ)**

SERIES	LINE	BODY	ENGINE	TRANSMISSION
H = Sport	J = Wrangler 4WD	77 = 93.4 WB	ED1, ED0 = 2.4L DOHC	DGG, DGD = 32RH 3 Spd. Auto.
L = SE	U = Wrangler 4WD (RHD)		ERH = 4.0L Power Tech	DDD = 5 Speed HD Manual
M = X				DG0 = Auto. Trans.
P = Sahara				DBB = Manual Trans.
S = Rubicon				DDK = 5 Speed Manual

AR = Use as required - = Non illustrated part # = New this model year

January 6, 2004

**Gear Train [DG6]  
Figure 42RLE-420**



ITEM	PART NUMBER	QTY	LINE	SERIES	BODY	ENGINE	TRANS	TRIM	DESCRIPTION
-32									SHIM, Carrier Bearing, 5.83 - 5.85mm
	5280 042	AR				ED0	DG6		
		AR				ER0	DG6		
-33									SHIM, Carrier Bearing, 5.86 - 5.88mm
	5280 043	AR				ED0	DG6		
		AR				ER0	DG6		
-34									SHIM, Carrier Bearing, 5.89 - 5.91mm
	5280 044	AR				ED0	DG6		
		AR				ER0	DG6		
-35									SHIM, Carrier Bearing, 5.92 - 5.94mm
	5280 045	AR				ED0	DG6		
		AR				ER0	DG6		
-36									SHIM, Carrier Bearing, 5.95 - 5.97mm
	5280 046	AR				ED0	DG6		
		AR				ER0	DG6		
-37									SHIM, Carrier Bearing, 5.98 - 6.00mm
	5280 047	AR				ED0	DG6		
		AR				ER0	DG6		
-38									SHIM, Carrier Bearing, 6.01 - 6.03mm
	5280 048	AR				ED0	DG6		
		AR				ER0	DG6		
-39									SHIM, Carrier Bearing, 6.04 - 6.06mm
	5280 049	AR				ED0	DG6		
		AR				ER0	DG6		
40									BEARING CUP, Differential
	4567 022	1				ED0	DG6		
		1				ER0	DG6		
41									BEARING
	4567 025AB	1				ED0	DG6		
		1				ER0	DG6		
42									NUT, Rear Carrier, M36 x 1.50
	6502 476	1				ED0	DG6		
		1				ER0	DG6		
43									THRUST BEARING

**JEEP WRANGLER (TJ)**

SERIES  
H = Sport  
L = SE  
M = X  
P = Sahara  
S = Rubicon

LINE  
J = Wrangler 4WD  
U = Wrangler 4WD (RHD)

BODY  
77 = 93.4 WB

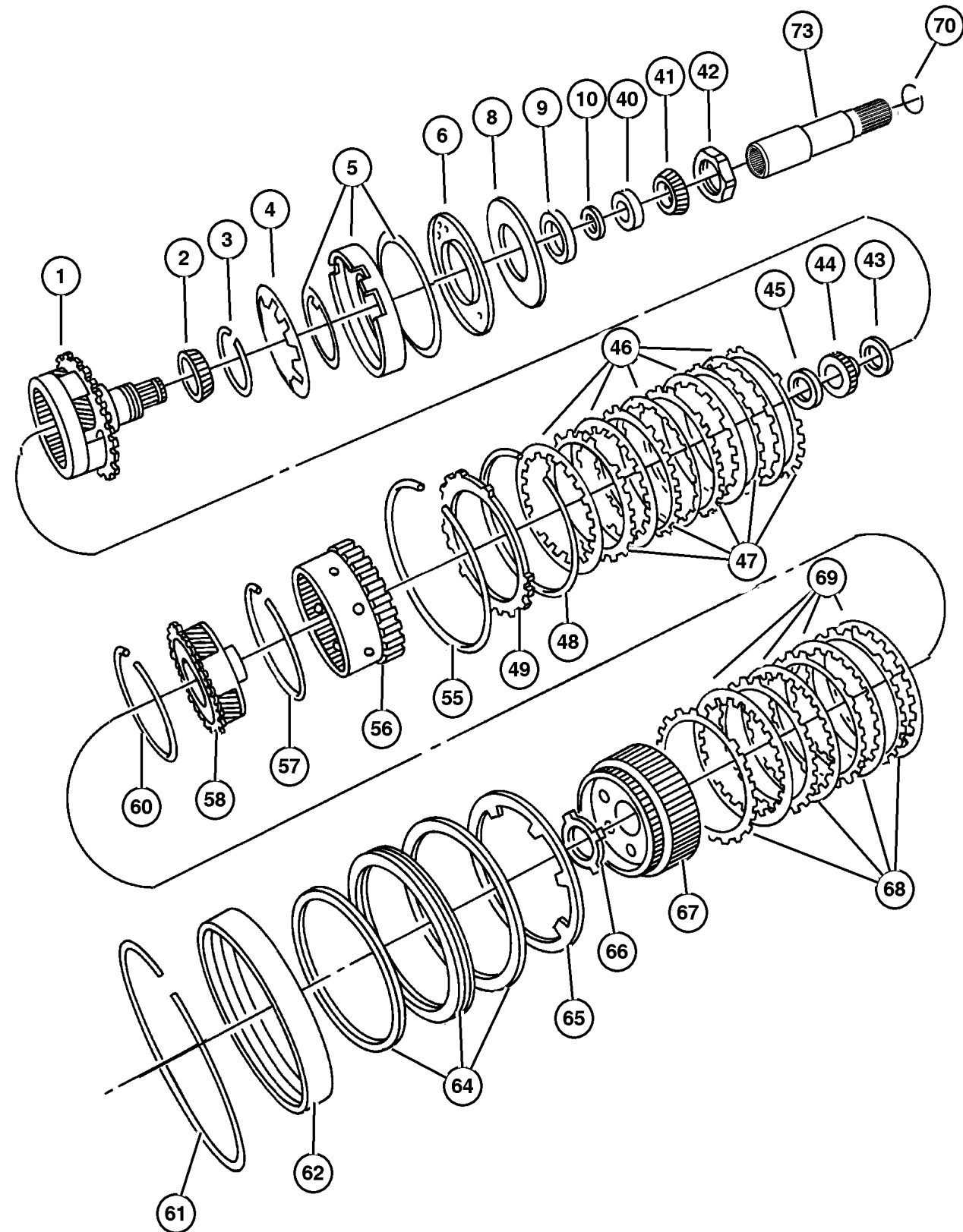
ENGINE  
ED1, ED0 = 2.4L DOHC  
ERH = 4.0L Power Tech

TRANSMISSION  
DGG, DGD = 32RH 3 Spd. Auto.  
DDD = 5 Speed HD Manual  
DGO = Auto. Trans.  
DBB = Manual Trans.  
DDK = 5 Speed Manual

AR = Use as required - = Non illustrated part # = New this model year

January 6, 2004

**Gear Train [DG6]  
Figure 42RLE-420**



ITEM	PART NUMBER	QTY	LINE	SERIES	BODY	ENGINE	TRANS	TRIM	DESCRIPTION
	4412 209	1				ED0	DG6		
		1				ER0	DG6		
44	4377 080	1				ED0	DG6		GEAR, Sun
		1				ER0	DG6		
45									THRUST BEARING, Rear Sun Gear, Front
	4412 229AB	1				ED0	DG6		
		1				ER0	DG6		
46	4567 573AB	5				ER0	DG6		DISC, Clutch
		5				ED0	DG6		
47									PLATE, Transmission Clutch Reaction
	4659 055	5				ED0	DG6		
		5				ER0	DG6		
48									SNAP RING
	4412 395	1				ED0	DG6		
		1				ER0	DG6		
49									PLATE, Transmission Clutch Reaction
	4377 194	1				ED0	DG6		
		1				ER0	DG6		
-50									PLATE PACKAGE, Low/Reverse Clutch, 5.753/6.012
	4897 452AA	1				ER0	DG6		
		1				ED0	DG6		
-51									PLATE PACKAGE, Low/Reverse Clutch, 6.013/6.272
	4897 453AA	1				ER0	DG6		
		1				ED0	DG6		
-52									PLATE PACKAGE, Low/Reverse Clutch, 6.273/6.532
	4897 454AA	1				ER0	DG6		
		1				ED0	DG6		
-53									PLATE PACKAGE, Low/Reverse Clutch, 6.533/6.792
	4897 455AA	1				ER0	DG6		
		1				ED0	DG6		
-54									PLATE PACKAGE, Low/Reverse Clutch, 6.793/7.052

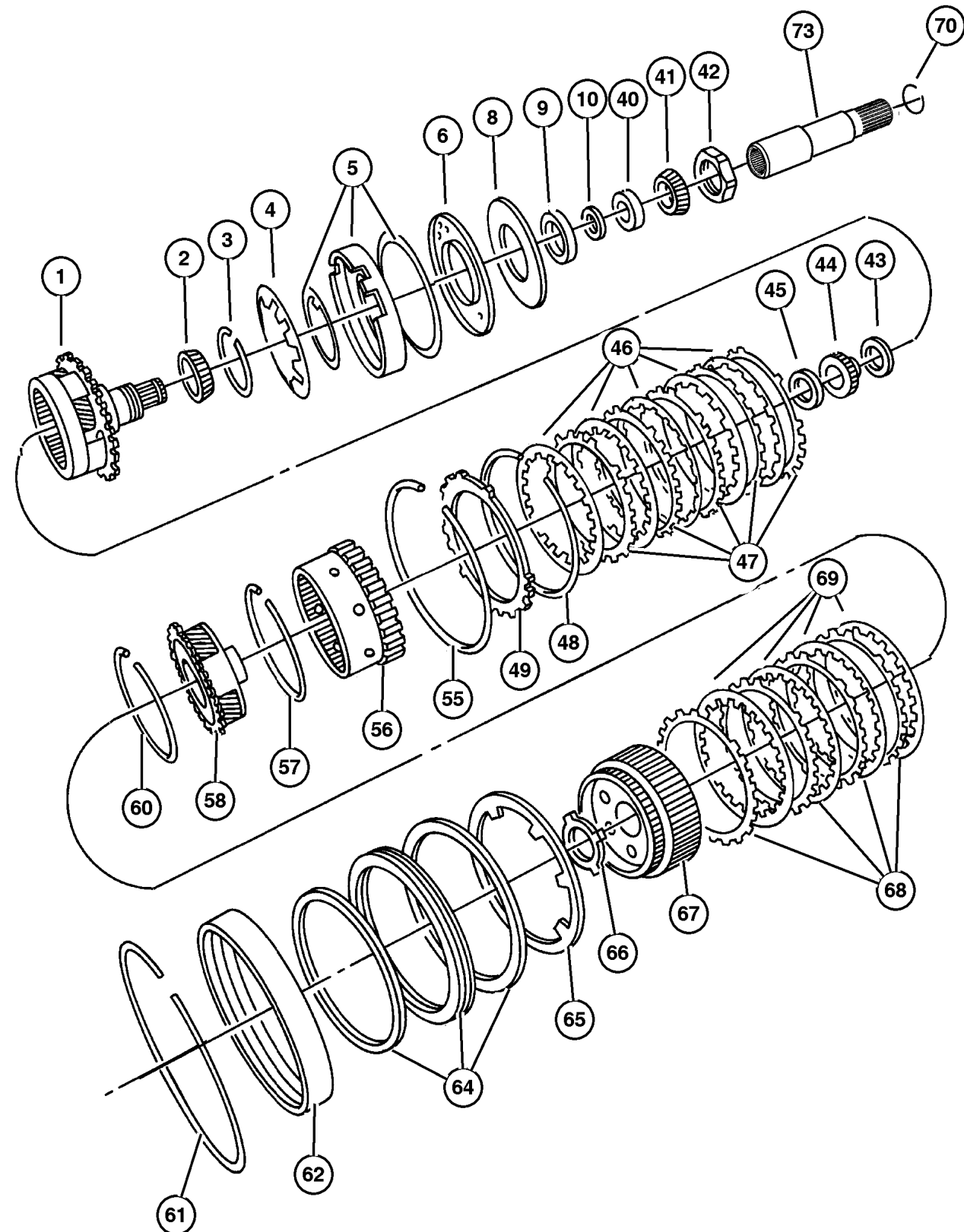
**JEEP WRANGLER (TJ)**

SERIES	LINE	BODY	ENGINE	TRANSMISSION
H = Sport	J = Wrangler 4WD	77 = 93.4 WB	ED1, ED0 = 2.4L DOHC	DGG, DGD = 32RH 3 Spd. Auto.
L = SE	U = Wrangler 4WD (RHD)		ERH = 4.0L Power Tech	DDD = 5 Speed HD Manual
M = X				DG0 = Auto. Trans.
P = Sahara				DBB = Manual Trans.
S = Rubicon				DDK = 5 Speed Manual

AR = Use as required - = Non illustrated part # = New this model year

January 6, 2004

**Gear Train [DG6]  
Figure 42RLE-420**



ITEM	PART NUMBER	QTY	LINE	SERIES	BODY	ENGINE	TRANS	TRIM	DESCRIPTION
	4897 456AA	1				ER0	DG6		
		1				ED0	DG6		
55	4799 858AA	1				ER0	DG6		SNAP RING
		1				ED0	DG6		
56	4799 794	1				ED0	DG6		GEAR, Annulus
		1				ER0	DG6		
57									SNAP RING
	6035 238	2				ED0	DG6		
		2				ER0	DG6		
58	4567 539AB	1				ER0	DG6		CARRIER, Planetary Pinion
		1				ED0	DG6		
-59	4412 209	1				ED0	DG6		THRUST BEARING
		1				ER0	DG6		
60									SNAP RING
	6035 238	2				ER0	DG6		
		2				ED0	DG6		
61									SNAP RING
	4505 591	1				ER0	DG6		
		1				ED0	DG6		
62									RETAINER PACKAGE, 2nd & 4th Clutch Piston
	#5102 880AA	1				ER0	DG6		
		1				ED0	DG6		
-63									PISTON, 2nd and 4th Clutch
	4431 647	1				ER0	DG6		
		1				ED0	DG6		
64									RETAINER PACKAGE, 2nd & 4th Clutch Piston
	#5102 880AA	1				ER0	DG6		
		1				ED0	DG6		
65									SPRING, 2nd And 4th Clutch Piston
	4412 248	1				ED0	DG6		
		1				ER0	DG6		
66									THRUST WASHER, Second and Fourth Clutch
	4412 216AB	1				ED0	DG6		
		1				ER0	DG6		

**JEEP WRANGLER (TJ)**

SERIES  
H = Sport  
L = SE  
M = X  
P = Sahara  
S = Rubicon

LINE  
J = Wrangler 4WD  
U = Wrangler 4WD (RHD)

BODY  
77 = 93.4 WB

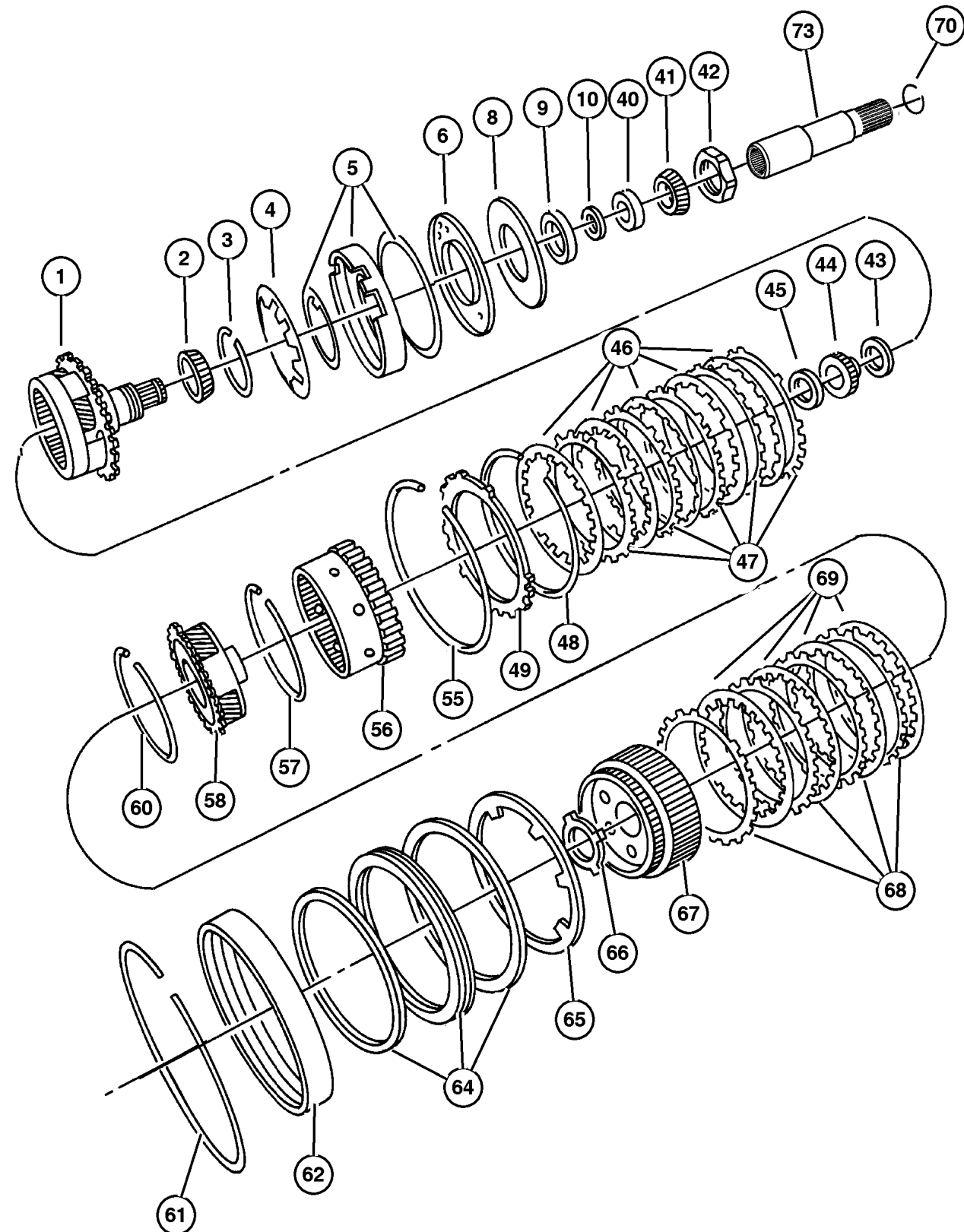
ENGINE  
ED1, ED0 = 2.4L DOHC  
ERH = 4.0L Power Tech

TRANSMISSION  
DGG, DGD = 32RH 3 Spd. Auto.  
DDD = 5 Speed HD Manual  
DGO = Auto. Trans.  
DBB = Manual Trans.  
DDK = 5 Speed Manual

AR = Use as required - = Non illustrated part # = New this model year

January 6, 2004

**Gear Train [DG6]  
Figure 42RLE-420**



ITEM	PART NUMBER	QTY	LINE	SERIES	BODY	ENGINE	TRANS	TRIM	DESCRIPTION
67									HUB AND GEAR, Second And Fourth Clutch
	4659 618AB	1				ED0	DG6		
		1				ER0	DG6		
68									PLATE, Transmission Clutch Reaction
	4659 054	4				ED0	DG6		
		4				ER0	DG6		
69									DISC, Clutch
	4799 860AB	4				ER0	DG6		
		4				ED0	DG6		
70									SNAP RING
	4377 195	1				ED0	DG6		
		1				ER0	DG6		
-71									THRUST WASHER, Planet Pinion
	3681 949	6				ED0	DG6		
		6				ER0	DG6		
-72									ROLLER, Front and Rear Pinion
	3743 664	95				ED0	DG6		
		95				ER0	DG6		
73									SHAFT, Intermediate
	52852 915AA	1				ED0	DG6		
		1				ER0	DG6		
-74									CLIP
	52852 916AA	1				ER0	DG6		
		1				ED0	DG6		

**JEEP WRANGLER (TJ)**

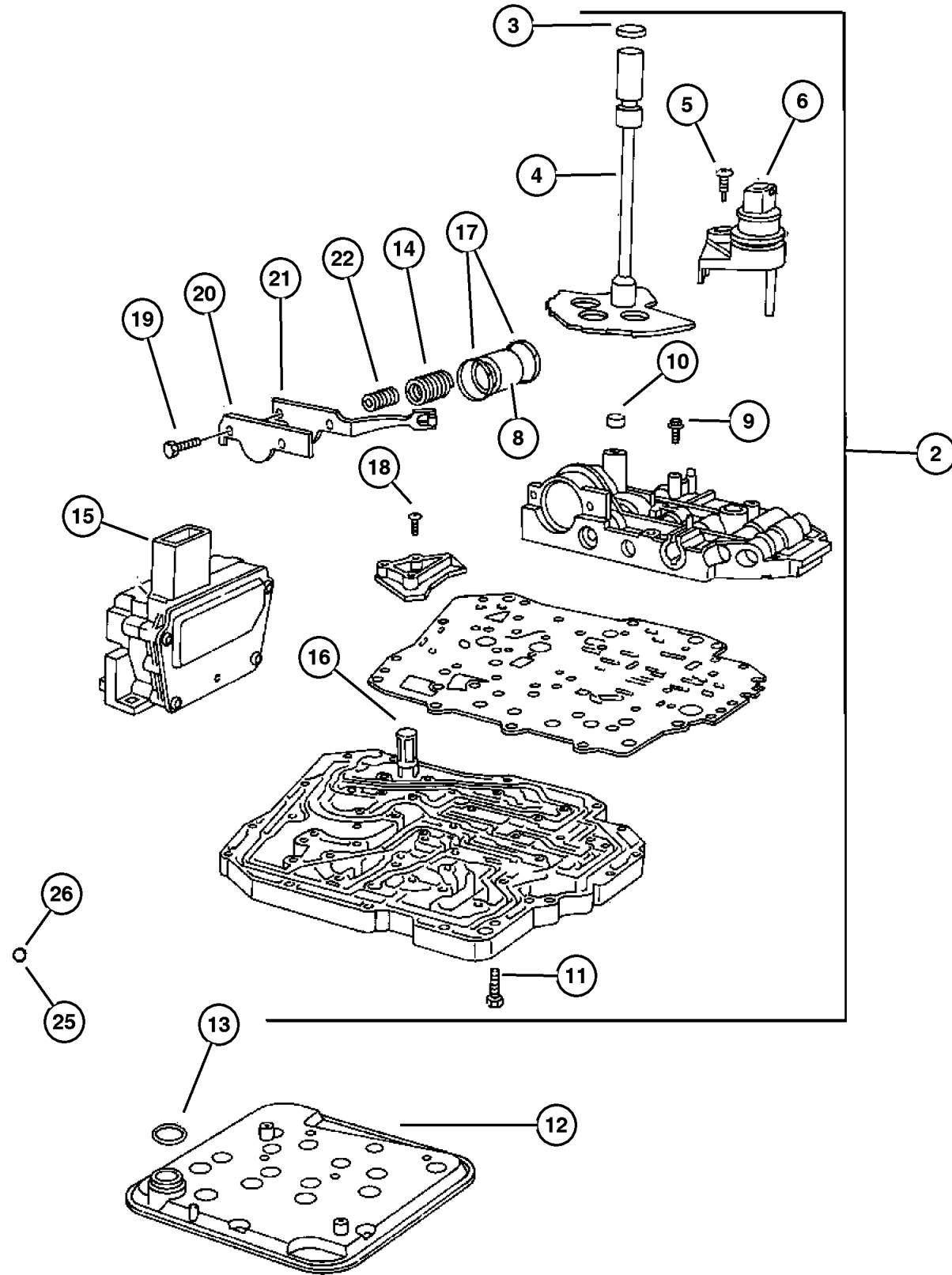
SERIES	LINE	BODY	ENGINE	TRANSMISSION
H = Sport	J = Wrangler 4WD	77 = 93.4 WB	ED1, ED0 = 2.4L DOHC	DGG, DGD = 32RH 3 Spd. Auto.
L = SE	U = Wrangler 4WD (RHD)		ERH = 4.0L Power Tech	DDD = 5 Speed HD Manual
M = X				DG0 = Auto. Trans.
P = Sahara				DBB = Manual Trans.
S = Rubicon				DDK = 5 Speed Manual

AR = Use as required - = Non illustrated part # = New this model year

January 6, 2004



**Valve Body [DG6]  
Figure 42RLE-710**



ITEM	PART NUMBER	QTY	LINE	SERIES	BODY	ENGINE	TRANS	TRIM	DESCRIPTION
NOTE: Gasket Package includes all Valve Body Seals and Transmission Filter Sales Codes: [DG6]=4 Speed Automatic Transmission - 42RLE [ED0]=All 2.4L 4 Cyl. Engines [ER0]=All 4.0L Inline 6 Engines									
-1									GASKET AND SEAL PACKAGE, Valve Body
	5101 917AB	1				ER0	DG6		
		1				ED0	DG6		
2	52854 169AA	1				ED0	DG6		VALVE BODY
		1				ER0	DG6		
3	4412 836	1				ED0	DG6		SEAL, Manual Valve Lever
		1				ER0	DG6		
4	4539 665	1				ED0	DG6		LEVER, Manual Valve
		1				ER0	DG6		
5	6506 245AA	1				ED0	DG6		SCREW
		1				ER0	DG6		
6	4659 677AC	1				ED0	DG6		SENSOR, Manual Valve Lever
		1				ER0	DG6		
-7	4659 678	1				ER0	DG6		SEAL, Manual Valve Position Sensor
		1				ED0	DG6		
8	4446 620AC	1				ER0	DG6		PISTON, 2nd and 4th Accumulator
		1				ED0	DG6		
9	6500 215	28				ED0	DG6		SCREW AND WASHER, Pan Head, M5x.8x25
		28				ER0	DG6		
10	4412 291	1				ED0	DG6		SEAL, Clutch Feed
		1				ER0	DG6		
11	6500 215	2				ER0	DG6		SCREW AND WASHER, Pan Head, M5x.8x25

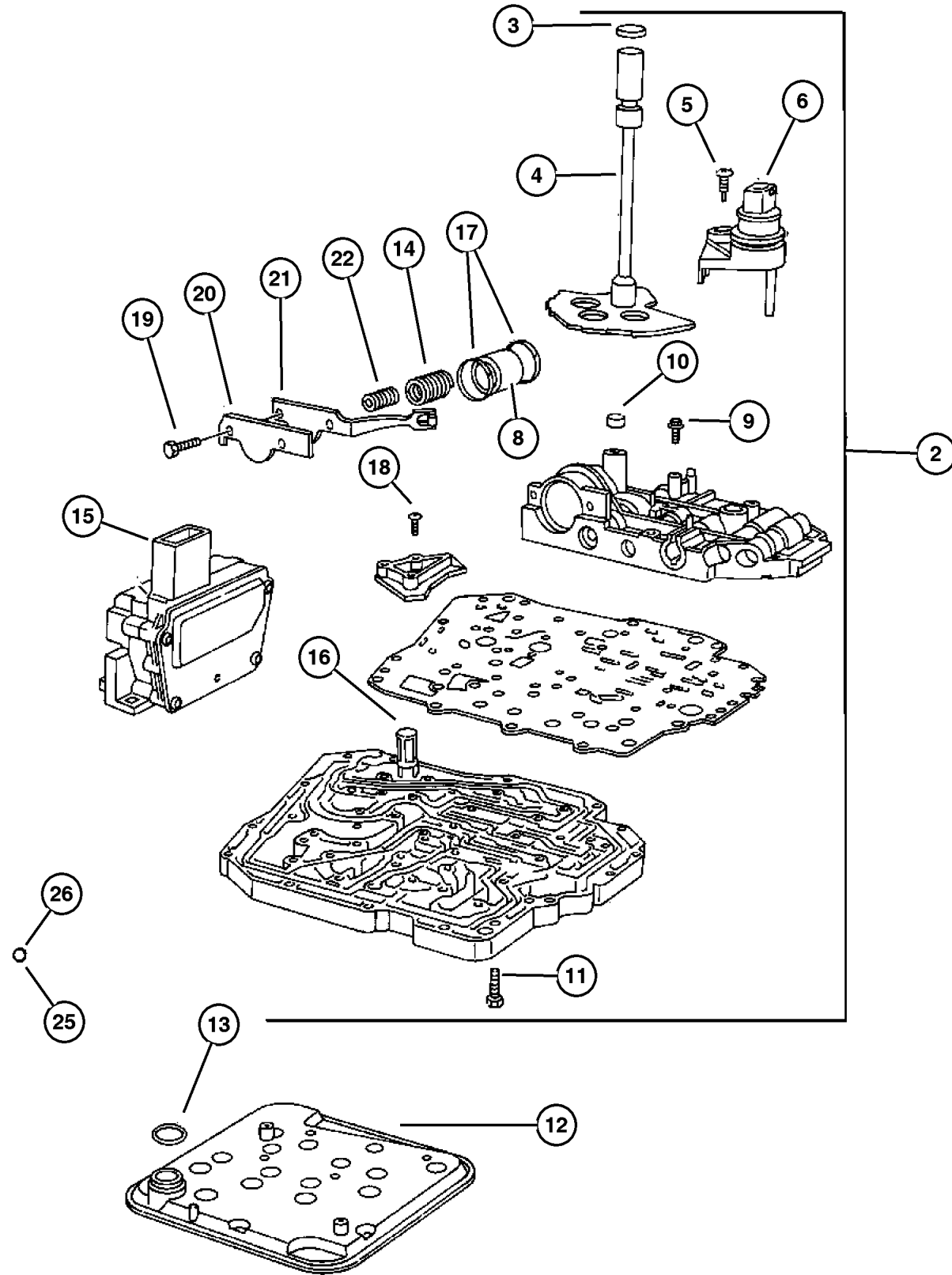
**JEEP WRANGLER (TJ)**

SERIES	LINE	BODY	ENGINE	TRANSMISSION
H = Sport	J = Wrangler 4WD	77 = 93.4 WB	ED1, ED0 = 2.4L DOHC	DGG, DGD = 32RH 3 Spd. Auto.
L = SE	U = Wrangler 4WD (RHD)		ERH = 4.0L Power Tech	DDD = 5 Speed HD Manual
M = X				DG0 = Auto. Trans.
P = Sahara				DBB = Manual Trans.
S = Rubicon				DDK = 5 Speed Manual

AR = Use as required - = Non illustrated part # = New this model year

January 6, 2004

Valve Body [DG6]  
Figure 42RLE-710

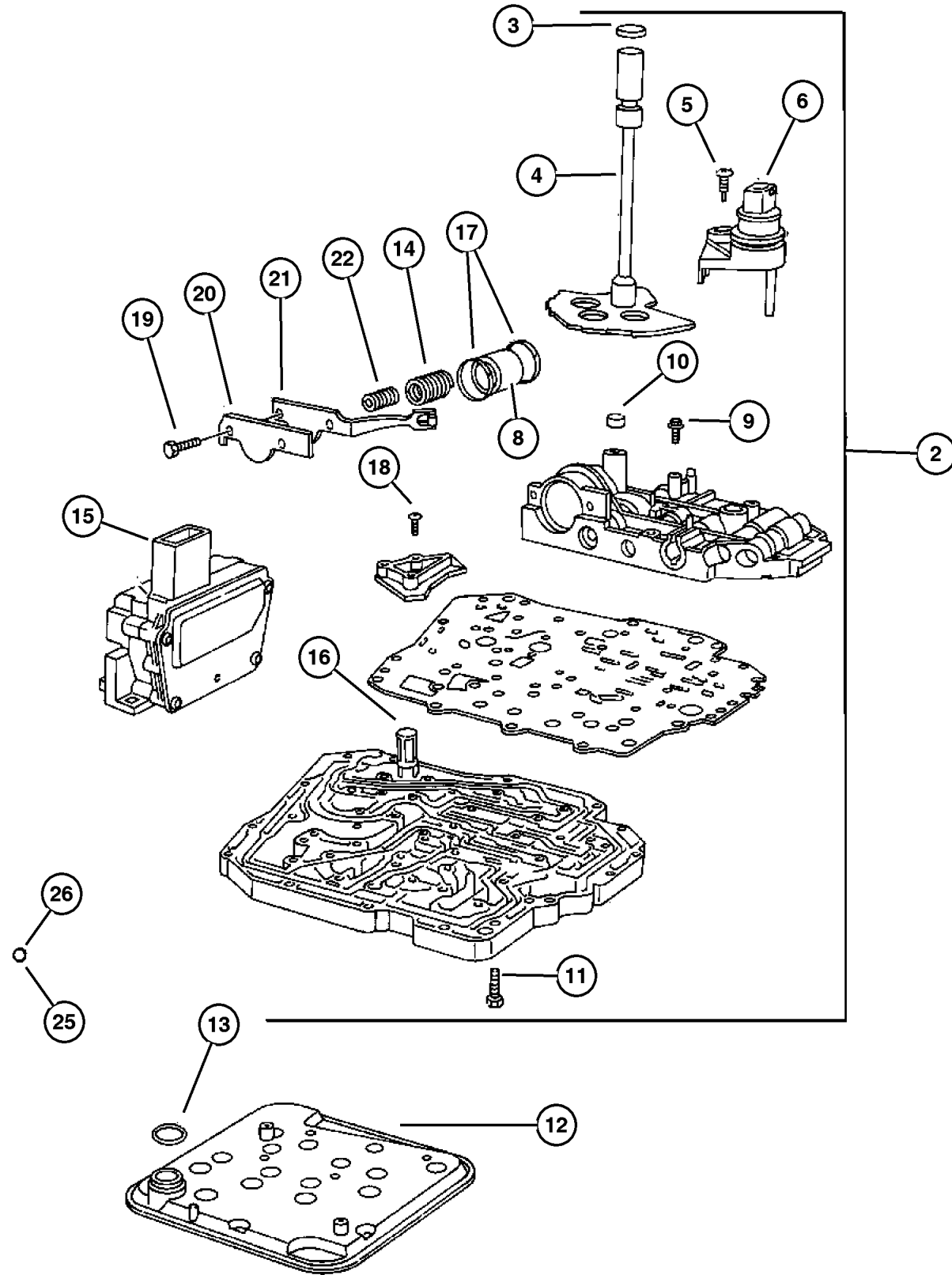


ITEM	PART NUMBER	QTY	LINE	SERIES	BODY	ENGINE	TRANS	TRIM	DESCRIPTION
		2				ED0	DG6		
12	52852 913AB	1				ER0	DG6		FILTER, Transmission Oil
		1				ED0	DG6		
13	6032 780	1				ED0	DG6		O RING, Trans Oil Filter
		1				ER0	DG6		
14	4471 880	1				ER0	DG6		SPRING, Accumulator
		1				ED0	DG6		
15	4800 171AA	1				ED0	DG6		SOLENOID, Transmission
		1				ER0	DG6		
16	3878 313	1				ER0	DG6		SCREEN, Transmission Regulator Valve
		1				ED0	DG6		
17	4446 544	2				ER0	DG6		SEAL, Accumulator
		2				ED0	DG6		
18	6500 215	2				ER0	DG6		SCREW AND WASHER, Pan Head, M5x.8x25
		2				ED0	DG6		
19	6503 232	7				ED0	DG6		SCREW, Pan Head, M5 x 0.8 x 12.60
		7				ER0	DG6		
20	4431 711	1				ED0	DG6		RETAINER, Transmission 2nd and 4th Accumulator Piston
		1				ER0	DG6		
21	4431 710	1				ED0	DG6		DETENT, Valve Body
		1				ER0	DG6		
22	4471 880	1				ER0	DG6		SPRING, Accumulator
		1				ED0	DG6		
-23	6100 994	1				ED0	DG6		DOWEL, M6x16
		1				ER0	DG6		
-24									VALVE, Transmission Regulator

JEEP WRANGLER (TJ)  
 SERIES LINE BODY ENGINE TRANSMISSION  
 H = Sport J = Wrangler 4WD 77 = 93.4 WB ED1, ED0 = 2.4L DOHC DGG, DGD = 32RH 3 Spd.  
 L = SE U = Wrangler 4WD (RHD) ERH = 4.0L Power Tech Auto.  
 M = X DDD = 5 Speed HD Manual  
 P = Sahara DG0 = Auto. Trans.  
 S = Rubicon DBB = Manual Trans.  
 DDK = 5 Speed Manual

AR = Use as required - = Non illustrated part # = New this model year

Valve Body [DG6]  
Figure 42RLE-710



ITEM	PART NUMBER	QTY	LINE	SERIES	BODY	ENGINE	TRANS	TRIM	DESCRIPTION
	4659 081	1				ED0	DG6		
		1				ER0	DG6		
25	5211 8261	4				ER0	DG6		BALL, Check Small
		4				ED0	DG6		Small
26	0104 918	1				ER0	DG6		BALL, Valve Body Check
		1				ED0	DG6		

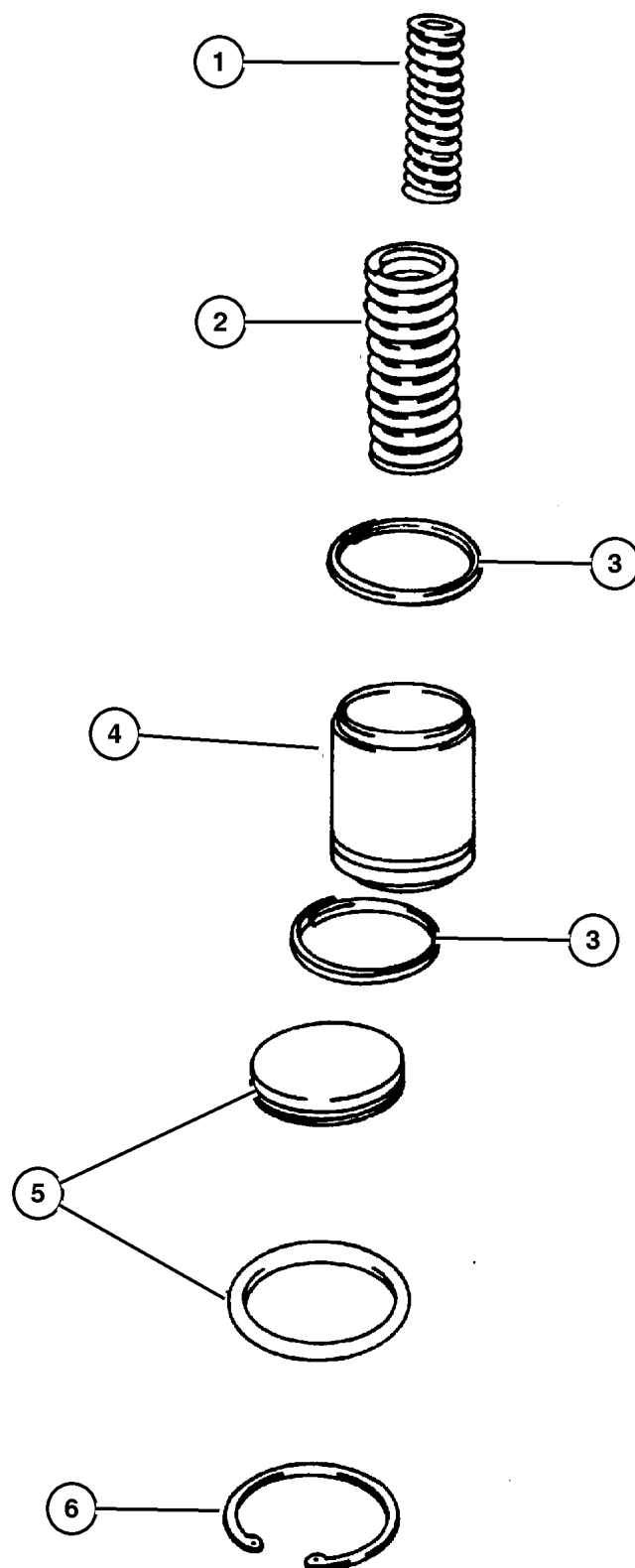
JEEP WRANGLER (TJ)

SERIES	LINE	BODY	ENGINE	TRANSMISSION
H = Sport	J = Wrangler 4WD	77 = 93.4 WB	ED1, ED0 = 2.4L DOHC	DGG, DGD = 32RH 3 Spd. Auto.
L = SE	U = Wrangler 4WD (RHD)		ERH = 4.0L Power Tech	DDD = 5 Speed HD Manual
M = X				DG0 = Auto. Trans.
P = Sahara				DBB = Manual Trans.
S = Rubicon				DDK = 5 Speed Manual

AR = Use as required - = Non illustrated part # = New this model year

January 6, 2004

## Accumulator Piston & Springs [DG6] Figure 42RLE-720



ITEM	PART NUMBER	QTY	LINE	SERIES	BODY	ENGINE	TRANS	TRIM	DESCRIPTION
NOTE:									
Sales Codes:									
[DG6]=4 Speed Automatic Transmission - 42RLE									
[ED0]=All 2.4L 4 Cyl. Engines									
[ER0]=All 4.0L Inline 6 Engines									
1	4567 575	1				ER0	DG6		SPRING, Accumulator
		1				ED0	DG6		
2	4471 880	1				ER0	DG6		SPRING, Accumulator
		1				ED0	DG6		
3	4446 544	2				ER0	DG6		SEAL, Accumulator
		2				ED0	DG6		
4	4446 620AC	1				ER0	DG6		PISTON, 2nd and 4th Accumulator
		1				ED0	DG6		
5	4431 617AB	1				ED0	DG6		COVER, Accumulator
		1				ER0	DG6		
6	6501 695	1				ED0	DG6		SNAP RING
		1				ER0	DG6		

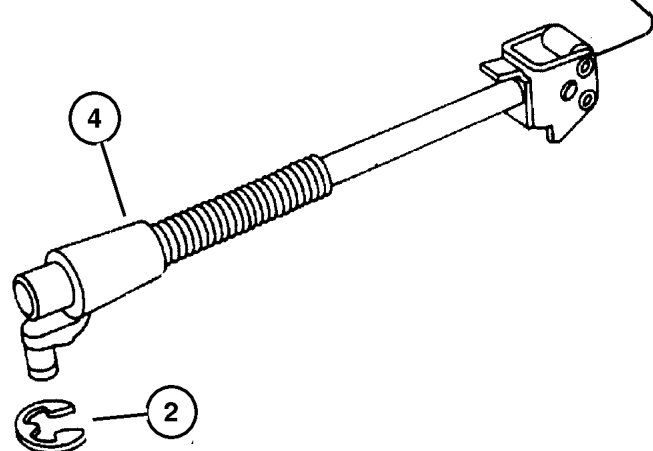
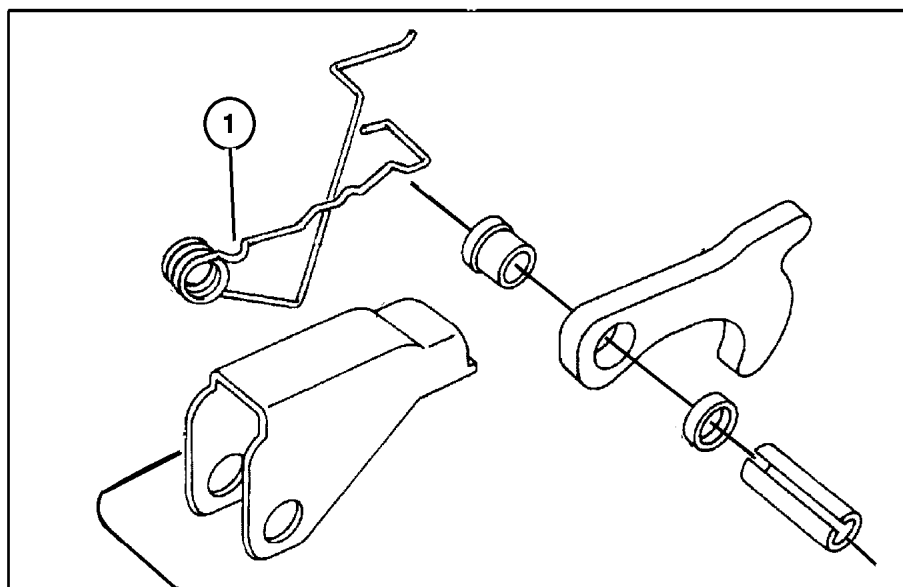
**JEEP WRANGLER (TJ)**

SERIES	LINE	BODY	ENGINE	TRANSMISSION
H = Sport	J = Wrangler 4WD	77 = 93.4 WB	ED1, ED0 = 2.4L DOHC	DGG, DGD = 32RH 3 Spd. Auto.
L = SE	U = Wrangler 4WD (RHD)		ERH = 4.0L Power Tech	DDD = 5 Speed HD Manual
M = X				DG0 = Auto. Trans.
P = Sahara				DBB = Manual Trans.
S = Rubicon				DDK = 5 Speed Manual

AR = Use as required - = Non illustrated part # = New this model year

January 6, 2004

**Parking Sprag [DG6]  
Figure 42RLE-730**



ITEM	PART NUMBER	QTY	LINE	SERIES	BODY	ENGINE	TRANS	TRIM	DESCRIPTION
------	-------------	-----	------	--------	------	--------	-------	------	-------------

NOTES:

Sales Codes

[DG6]= 4 Speed Automatic Transmission [42RLE]

1	52852 949AA	1				ED0	DG6		SPRING, Parking Sprag Return
		1				ER0	DG6		
2	6035 256	1				ED0	DG6		SNAP RING, Rod
		1				ER0	DG6		
-3	6503 384	1				ED0	DG6		SCREW AND WASHER, Park Sprag Shaft, M5X0.8X12
		1				ER0	DG6		
4	4431 999	1				ED0	DG6		SHAFT, Parking Sprag
		1				ER0	DG6		
-5	52852 956AA	1				ED0	DG6		ROD, Parking Sprag
		1				ER0	DG6		
-6	52852 948AA	1				ED0	DG6		BRACKET, Parking Sprag
		1				ER0	DG6		

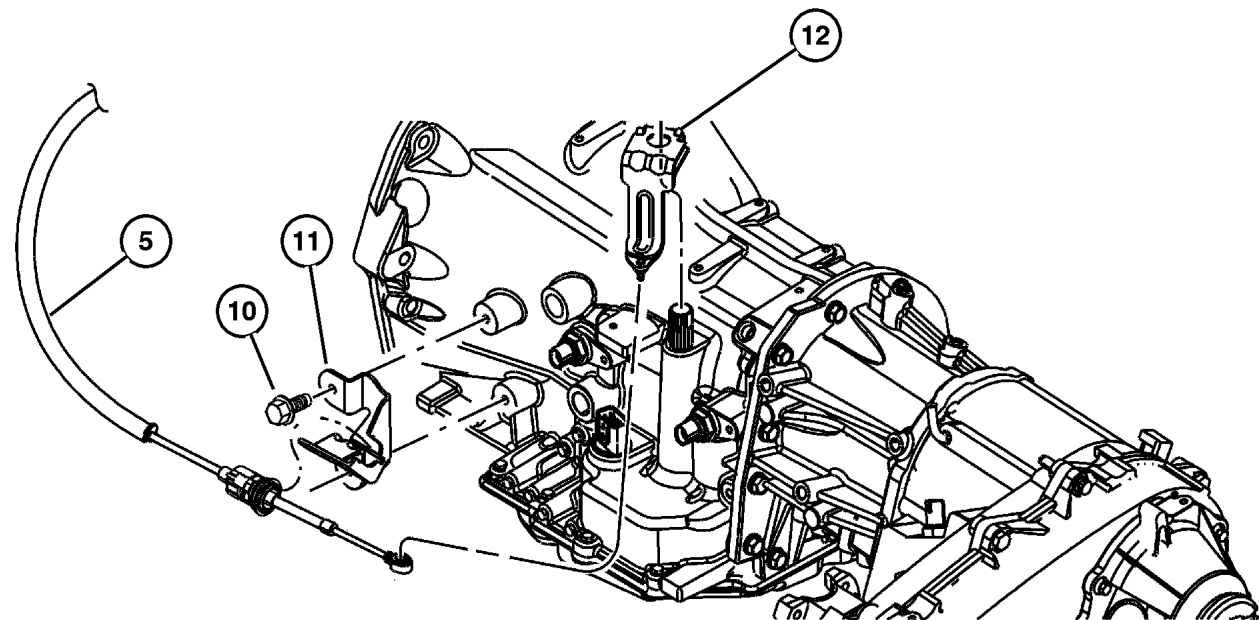
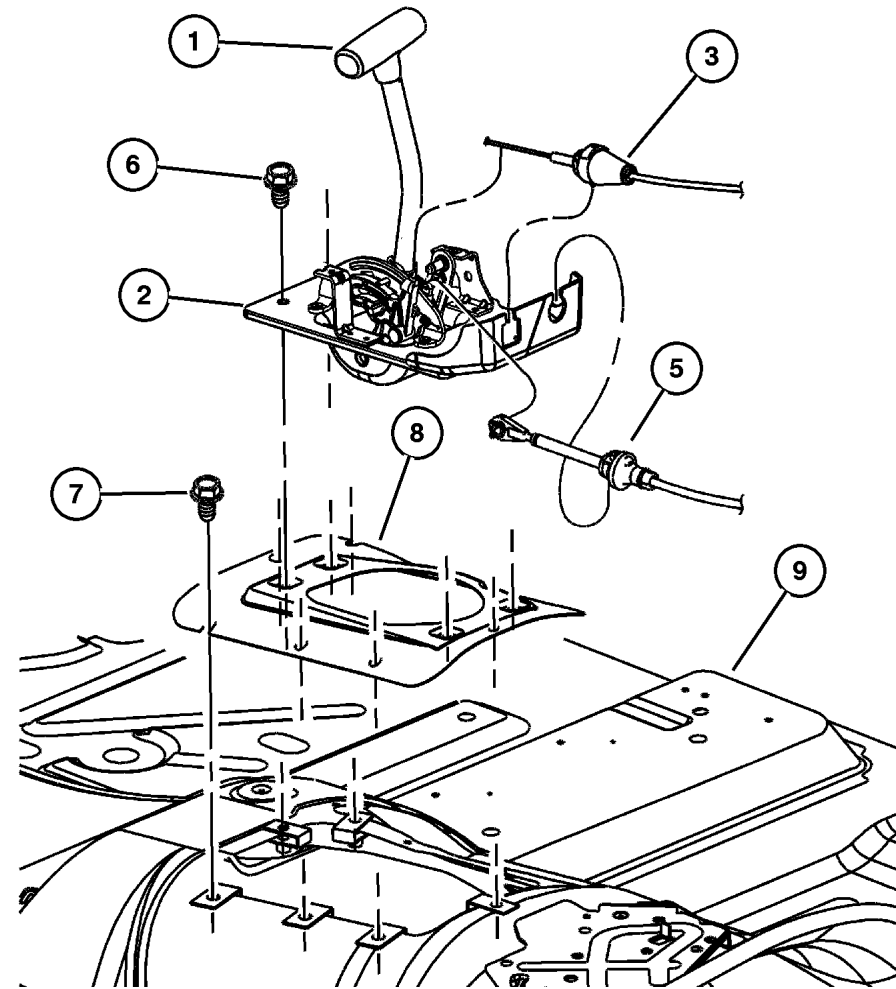
JEEP WRANGLER (TJ)

SERIES	LINE	BODY	ENGINE	TRANSMISSION
H = Sport	J = Wrangler 4WD	77 = 93.4 WB	ED1, ED0 = 2.4L DOHC	DGG, DGD = 32RH 3 Spd. Auto.
L = SE	U = Wrangler 4WD (RHD)		ERH = 4.0L Power Tech	DDD = 5 Speed HD Manual
M = X				DG0 = Auto. Trans.
P = Sahara				DBB = Manual Trans.
S = Rubicon				DDK = 5 Speed Manual

AR = Use as required - = Non illustrated part # = New this model year

January 6, 2004

**Gearshift Controls [DG6]  
Figure 42RLE-1210**



ITEM	PART NUMBER	QTY	LINE	SERIES	BODY	ENGINE	TRANS	TRIM	DESCRIPTION
NOTE:									
Sales Codes:									
[DG6]=4 Speed Automatic Transmission - 42RLE									
[ED0]=All 2.4L 4 Cyl. Engines									
[ER0]=All 4.0L Inline 6 Engines									
1	5210 4028	1					DG0		HANDLE, Gearshift
2	52078 551AG	1					DG6		HOUSING, Shift Lever
3	52104 422AC	1					DG6		CABLE, Park Interlock
-4	52059 685AA	1				ED1, ER0	DG0		CLIP, Cable Routing, Interlock Cable to Column
5	52109 624AC	1					DG6		CABLE, Shift
6	6501 648	4					DG0		SCREW, Hex Flange Head, M8x1. 25x25.00
7	6506 348AA	6					DG0		SCREW AND WASHER, Hex Head, M6x1x25
8	53000 704AD	1					DG6		COVER, Gearshift
9									PAN, Floor, See Sheet Metal Group, (NOT SERVICED) (Not Serviced)
10	6101 767	2					DG0		SCREW AND WASHER, M8x1. 25x25
11	52109 623AB	1					DG0		BRACKET, Shift Cable
12	52109 622AB	1					DG6		LEVER, Manual Control

**JEEP WRANGLER (TJ)**

SERIES	LINE	BODY	ENGINE	TRANSMISSION
H = Sport	J = Wrangler 4WD	77 = 93.4 WB	ED1, ED0 = 2.4L DOHC	DGG, DGD = 32RH 3 Spd. Auto.
L = SE	U = Wrangler 4WD (RHD)		ERH = 4.0L Power Tech	DDD = 5 Speed HD Manual
M = X				DG0 = Auto. Trans.
P = Sahara				DBB = Manual Trans.
S = Rubicon				DDK = 5 Speed Manual

AR = Use as required - = Non illustrated part # = New this model year

January 6, 2004

# Group – 3550

## Manual Transmission 5 Speed

### GROUP 3550 - Manual Transmission 5 Speed

Illustration Title

Group-Fig. No.

#### Transmission Assembly

Transmission (DDD) ..... Fig. 3550-110

#### Case and Extension

Case and Extension (DDD) ..... Fig. 3550-210

#### Gear Train

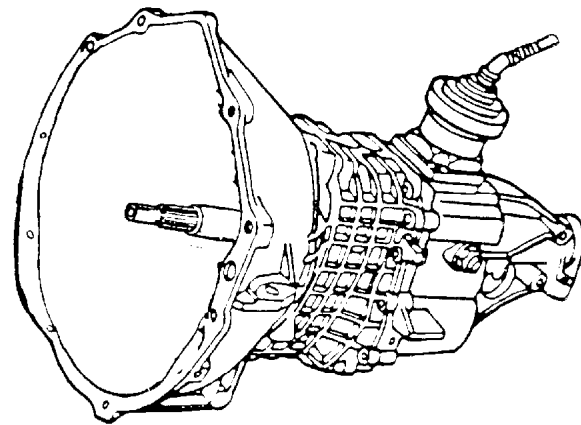
Gear Train (DDD) ..... Fig. 3550-410

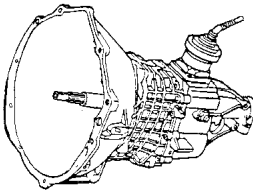
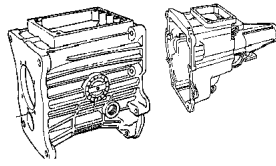
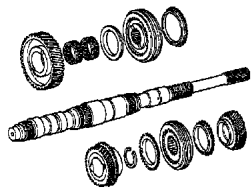
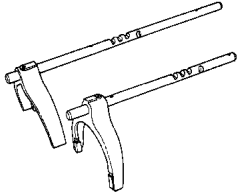

#### Fork and Rails

Fork and Rails (DDD) ..... Fig. 3550-910

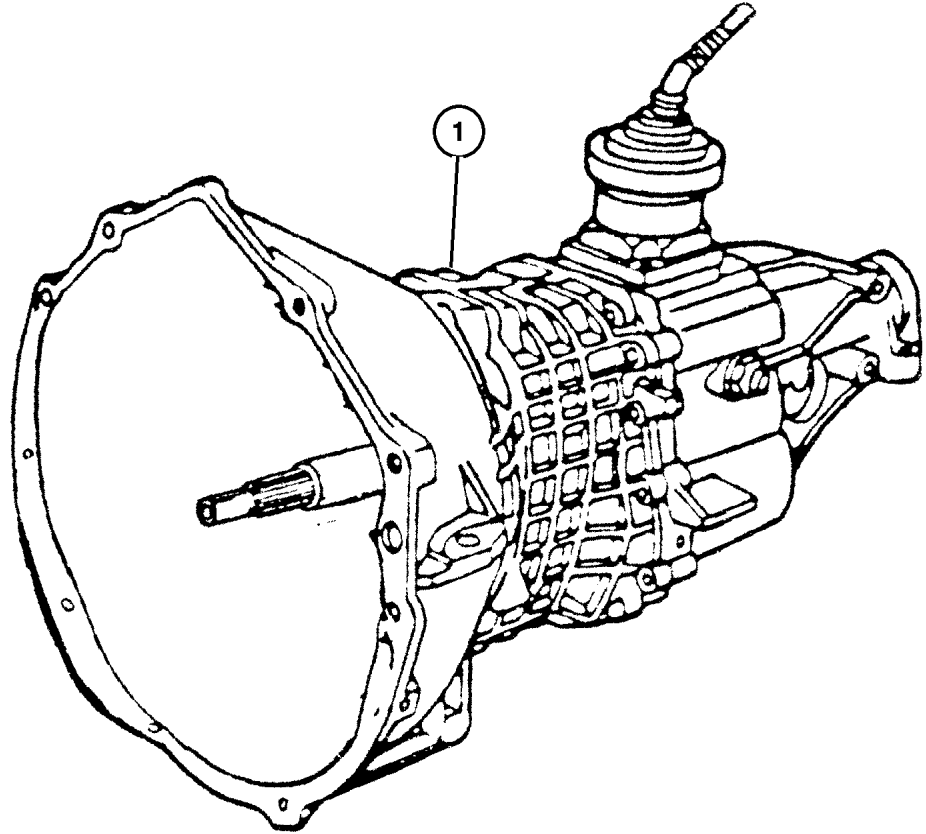
#### Gearshift Controls

Gearshift Controls (DDD) ..... Fig. 3550-1210



<p><b>3550-100</b> Transmission Assembly</p> 	<p><b>3550-200</b> Case and Extension</p> 	<p><b>3550-400</b> Gear Train</p> 	<p><b>3550-900</b> Fork and Rails</p> 
<p><b>3550-1200</b> Gearshift Controls</p> 			

Transmission (DDD)  
Figure 3550-110



ITEM	PART NUMBER	QTY	LINE	SERIES	BODY	ENGINE	TRANS	TRIM	DESCRIPTION
NOTE; Sales Code									
[DDD] = 5 Speed Heavy Duty Manual Transmission									
1									TRANSMISSION, 5 Speed
	52104 678AA	1	J			ER0	DDD		
	52104 388AD	1	U			ER0	DDD		

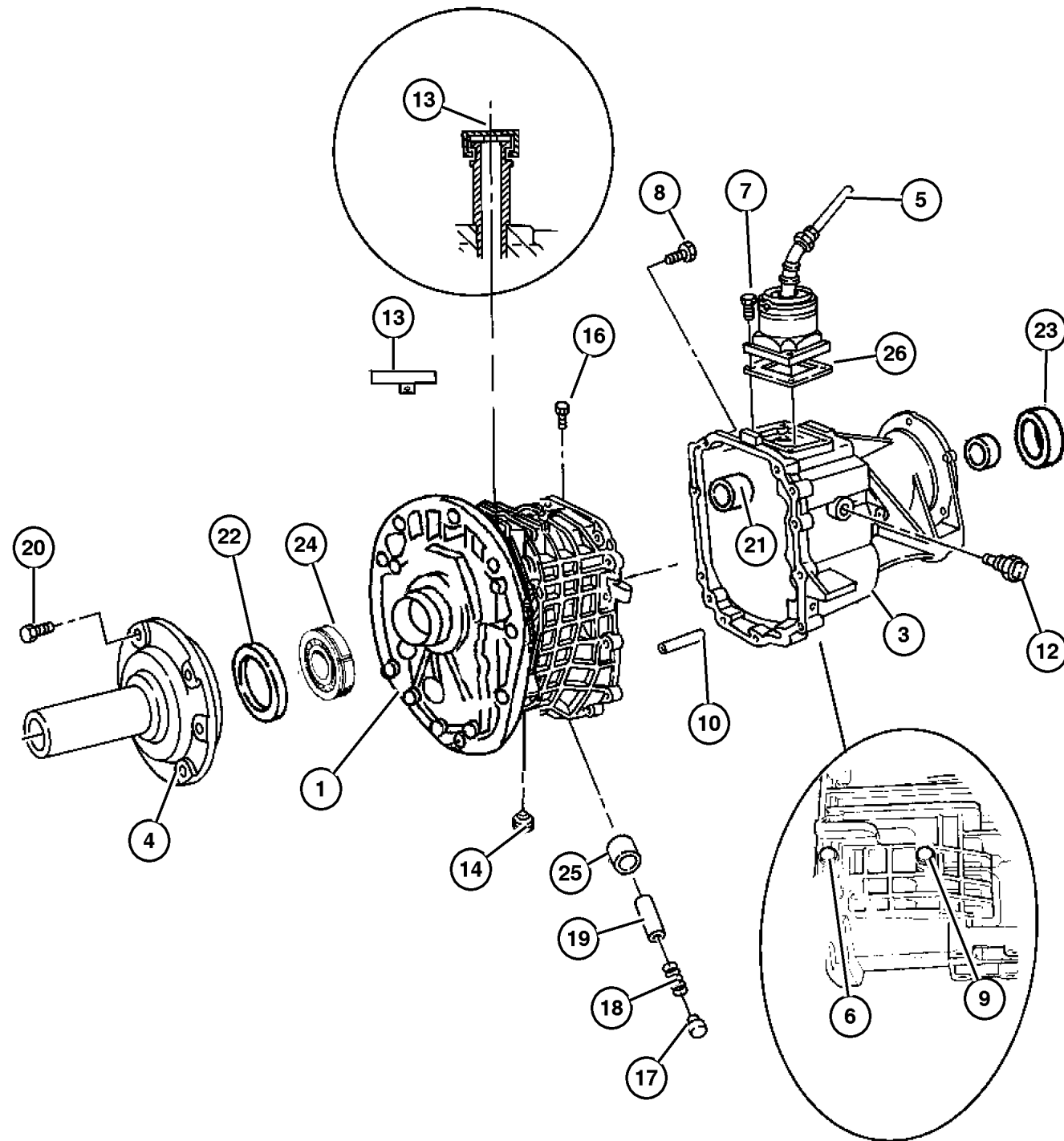
<b>JEEP WRANGLER (TJ)</b>				
SERIES	LINE	BODY	ENGINE	TRANSMISSION
H = Sport	J = Wrangler 4WD	77 = 93.4 WB	ED1, ED0 = 2.4L DOHC	DGG, DGD = 32RH 3 Spd. Auto.
L = SE	U = Wrangler 4WD (RHD)		ERH = 4.0L Power Tech	DDD = 5 Speed HD Manual
M = X				DG0 = Auto. Trans.
P = Sahara				DBB = Manual Trans.
S = Rubicon				DDK = 5 Speed Manual

AR = Use as required - = Non illustrated part # = New this model year

January 6, 2004



Case and Extension (DDD)  
Figure 3550-210



ITEM	PART NUMBER	QTY	LINE	SERIES	BODY	ENGINE	TRANS	TRIM	DESCRIPTION
NOTE; Sales Code									
[DDD] = 5 Speed Heavy Duty Manual Transmission									
[ER0] = All 4.0 L 6 Cylinder Gas Engines									
1									CASE, Transmission
	5096 102AA	1	J			ER0	DDD		
	5096 101AA	1	U			ER0	DDD		
-2									BUSHING, Shift Rail
	4740 899	1	U			ER0	DDD		
		1	J			ER0	DDD		
3									CASE, Transmission Rear
	5083 260AB	1	J			ER0	DDD		
		1	U			ER0	DDD		
4									RETAINER, Shaft
	5013 306AA	1	J			ER0	DDD		
		1	U			ER0	DDD		
5									LEVER, Gearshift
	5086 544AA	1	J			ER0	DDD		
		1	U			ER0	DDD		
6									BOLT, M8-1.25x70
	4741 313	1	J			ER0	DDD		
		1	U			ER0	DDD		
7									BOLT, Hex Head
	4741 144	4	J			ER0	DDD		
		1	U			ER0	DDD		
8									BOLT, Hex Head, M8x1.25x50
	4741 123	1	U			ER0	DDD		
		11	J			ER0	DDD		
9									BOLT, Hex
	4741 115	1	U			ER0	DDD		
		1	J			ER0	DDD		
10									PIN, Locating
	4741 122	2	J			ER0	DDD		
		1	U			ER0	DDD		
-11									CLIP
	5019 683AA	1	U			ER0	DDD		
		2	J			ER0	DDD		
12									SWITCH, Back Up Lamp
	5600 7163	1	J			ER0	DDD		
		1	U			ER0	DDD		
13									VENT, Transmission
	5015 945AA	1	J			ER0	DDD		

JEEP WRANGLER (TJ)

SERIES  
H = Sport  
L = SE  
M = X  
P = Sahara  
S = Rubicon

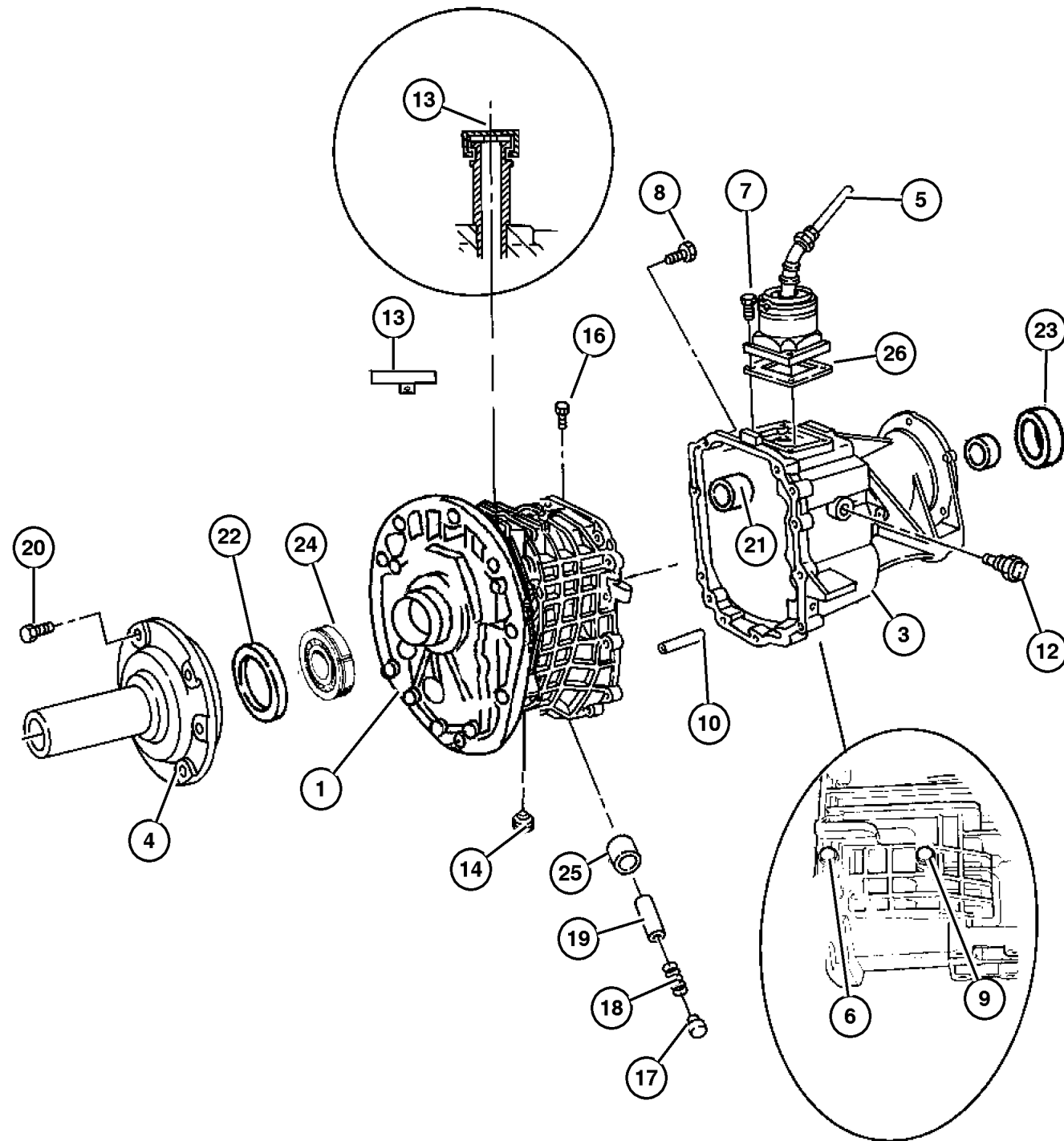
LINE  
J = Wrangler 4WD  
U = Wrangler 4WD (RHD)

BODY  
77 = 93.4 WB

ENGINE  
ED1, ED0 = 2.4L DOHC  
ERH = 4.0L Power Tech

TRANSMISSION  
DGG, DGD = 32RH 3 Spd. Auto.  
DDD = 5 Speed HD Manual  
DGO = Auto. Trans.  
DBB = Manual Trans.  
DDK = 5 Speed Manual

Case and Extension (DDD)  
Figure 3550-210



ITEM	PART NUMBER	QTY	LINE	SERIES	BODY	ENGINE	TRANS	TRIM	DESCRIPTION
		1	U			ER0	DDD		
14	4882 280	1	U			ER0	DDD		PLUG, Oil Fill
		1	J			ER0	DDD		
-15	4740 903	1	J			ER0	DDD		PLUG, Oil Drain
		1	U			ER0	DDD		
16	4740 904	1	U			ER0	DDD		PIN, Detent
		1	J			ER0	DDD		
17	4741 128	1	J			ER0	DDD		CAP, Detent
		1	U			ER0	DDD		
18	4773 182	1	J			ER0	DDD		SPRING, Shift Detent
		1	U			ER0	DDD		
19	5015 949AA	1	J			ER0	DDD		PLUNGER
		1	U			ER0	DDD		
20	4741 300	6	J			ER0	DDD		BOLT, Hex Head, M6x1.00x25
		1	U			ER0	DDD		
21	4741 112	1	J			ER0	DDD		BEARING, Ball
		1	U			ER0	DDD		
22	4741 296	1	J			ER0	DDD		SEAL, Input Shaft
		1	U			ER0	DDD		
23	4741 118	1	J			ER0	DDD		SEAL, Output Shaft
		1	U			ER0	DDD		
24	4874 174AB	1	J			ER0	DDD		BEARING, Input Shaft
		1	U			ER0	DDD		
25	5012 337AA	1	U			ER0	DDD		BUSHING, Transmission
		1	J			ER0	DDD		
26	4886 153AA	1	J			ER0	DDD		SEAL, Shift Lever
		1	U			ER0	DDD		

JEEP WRANGLER (TJ)

SERIES  
H = Sport  
L = SE  
M = X  
P = Sahara  
S = Rubicon

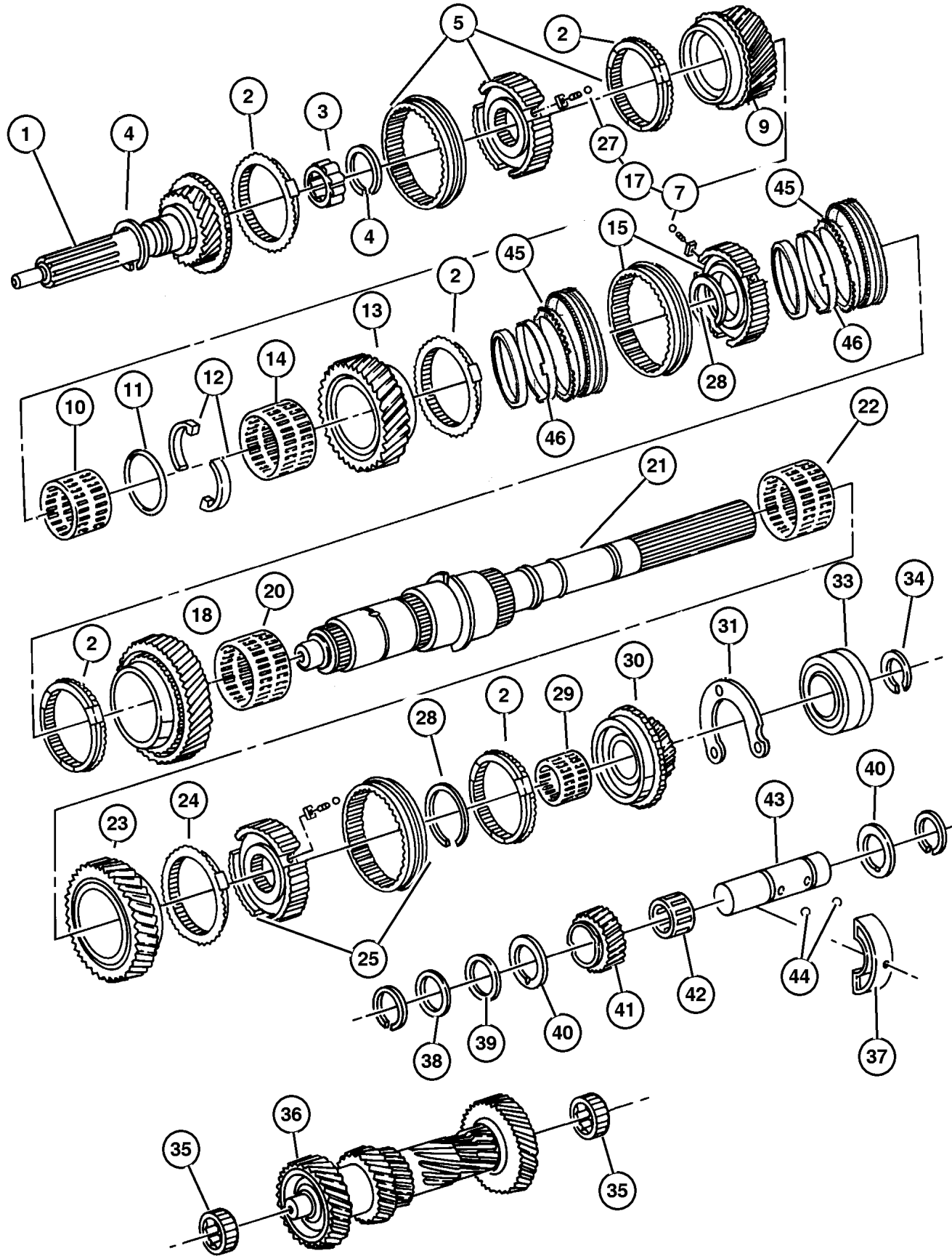
LINE  
J = Wrangler 4WD  
U = Wrangler 4WD (RHD)

BODY  
77 = 93.4 WB

ENGINE  
ED1, ED0 = 2.4L DOHC  
ERH = 4.0L Power Tech

TRANSMISSION  
DGG, DGD = 32RH 3 Spd. Auto.  
DDD = 5 Speed HD Manual  
DGO = Auto. Trans.  
DBB = Manual Trans.  
DDK = 5 Speed Manual

**Gear Train (DDD)  
Figure 3550-410**



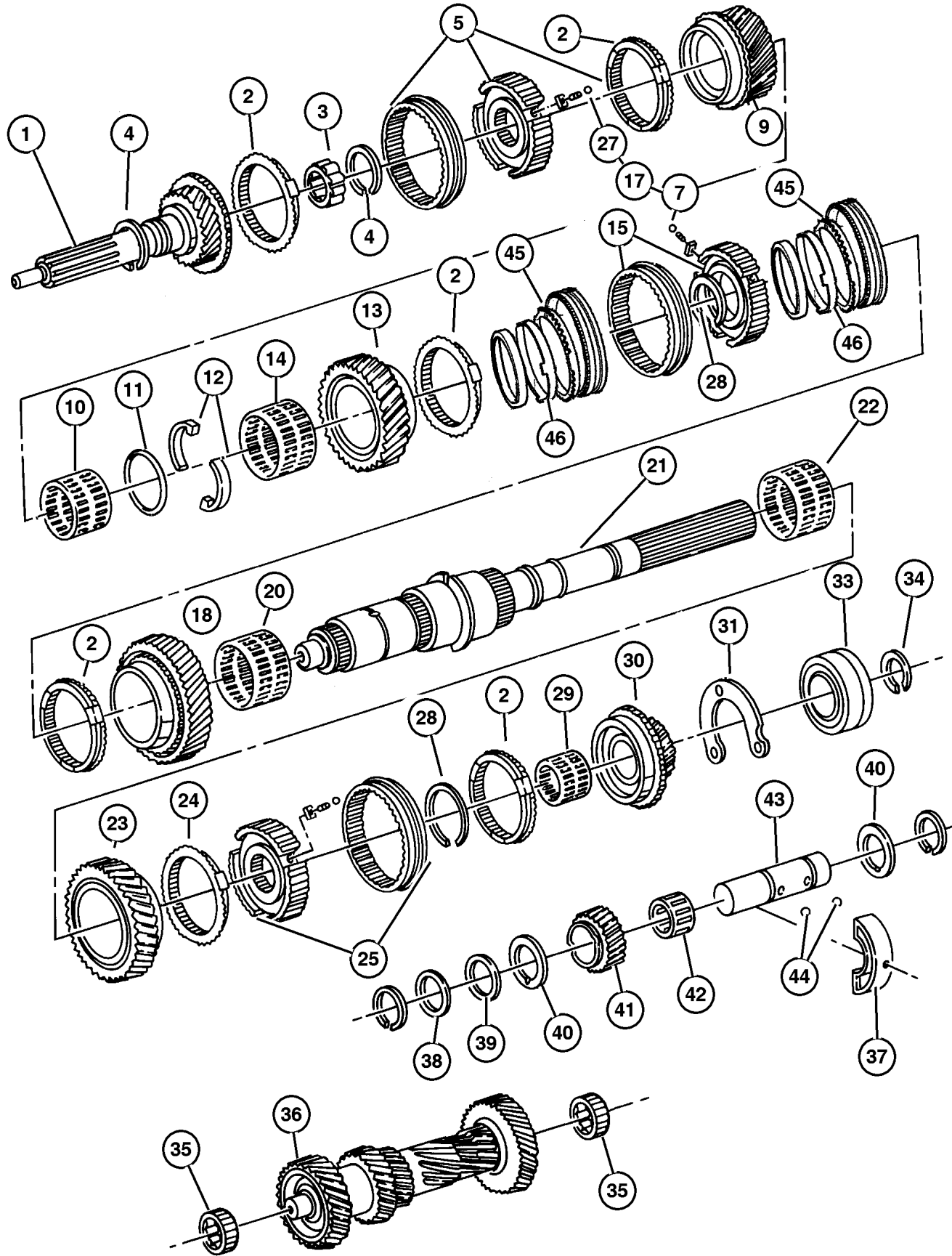
ITEM	PART NUMBER	QTY	LINE	SERIES	BODY	ENGINE	TRANS	TRIM	DESCRIPTION
NOTE; Sales Code									
[DDD] = 5 Speed Heavy Duty Manual Transmission									
[ER0] = All 4.0 L 6 Cylinder Gas Engines									
1	5019 723AA	1	J			ER0	DDD		SHAFT, Input
2	4741 277	1	U			ER0	DDD		STOP RING, Synchronizer
		1	J			ER0	DDD		
3	4741 878	1	J			ER0	DDD		NEEDLE BEARING, Input Shaft
		1	U			ER0	DDD		
4	4741 266	1	U			ER0	DDD		SNAP RING, Output Shaft Bearing
		1	J			ER0	DDD		
5	4741 293AB	1	J			ER0	DDD		SYNCHRONIZER, Third and Fourth
		1	U			ER0	DDD		
-6	4741 137	1	U			ER0	DDD		SPRING, Lever
		1	J			ER0	DDD		
7	4741 136	1	U			ER0	DDD		BALL, Shift Lever, M5
		1	J			ER0	DDD		
-8	4741 807	1	U			ER0	DDD		SNAP RING PACKAGE, Transmission Third/Fourth Hub
		1	J			ER0	DDD		
9	4883 718AB	1	J			ER0	DDD		GEAR, Third
		1	U			ER0	DDD		
10	4741 874	1	J			ER0	DDD		NEEDLE BEARING, Third Gear
		1	U			ER0	DDD		
11	4897 922AA	1	J			ER0	DDD		SNAP RING
		1	U			ER0	DDD		
12	5019 721AA	1	U			ER0	DDD		WASHER, Output Shaft
		2	J			ER0	DDD		
13									GEAR, Second

**JEEP WRANGLER (TJ)**

SERIES	LINE	BODY	ENGINE	TRANSMISSION
H = Sport	J = Wrangler 4WD	77 = 93.4 WB	ED1, ED0 = 2.4L DOHC	DGG, DGD = 32RH 3 Spd. Auto.
L = SE	U = Wrangler 4WD (RHD)		ERH = 4.0L Power Tech	DDD = 5 Speed HD Manual
M = X				DG0 = Auto. Trans.
P = Sahara				DBB = Manual Trans.
S = Rubicon				DDK = 5 Speed Manual

AR = Use as required - = Non illustrated part # = New this model year

**Gear Train (DDD)  
Figure 3550-410**



ITEM	PART NUMBER	QTY	LINE	SERIES	BODY	ENGINE	TRANS	TRIM	DESCRIPTION
	4874 358AB	1	J			ER0	DDD		
		1	U			ER0	DDD		
14	5003 039AA	1	J			ER0	DDD		NEEDLE BEARING, Second Gear
		1	U			ER0	DDD		
15	4874 356AB	1	J			ER0	DDD		SYNCHRONIZER, First and Second
		1	U			ER0	DDD		
-16									SPRING, Lever
	4741 137	1	U			ER0	DDD		
		1	J			ER0	DDD		
17									BALL, Shift Lever, M5
	4741 136	1	U			ER0	DDD		
		1	J			ER0	DDD		
18									GEAR, First
	4874 355AB	1	J			ER0	DDD		
		1	U			ER0	DDD		
-19									BEARING, First Gear
	4874 353	1	J			ER0	DDD		
		1	U			ER0	DDD		
20									NEEDLE BEARING, Transmission
	4741 871	1	J			ER0	DDD		
		1	U			ER0	DDD		
21									SHAFT, Output
	4874 309	1	J			ER0	DDD		
		1	U			ER0	DDD		
22									NEEDLE BEARING, Transmission
	4741 871	1	J			ER0	DDD		
		1	U			ER0	DDD		
23									GEAR, Reverse
	5019 029AA	1	J			ER0	DDD		
		1	U			ER0	DDD		
24									STOP RING, Synchronizer
	4741 285	1	J			ER0	DDD		
		1	U			ER0	DDD		
25									SYNCHRONIZER, Fifth And Reverse
	4741 278AB	1	J			ER0	DDD		
		1	U			ER0	DDD		
-26									SPRING, Lever
	4741 137	1	U			ER0	DDD		
		1	J			ER0	DDD		
27									BALL, Shift Lever, M5

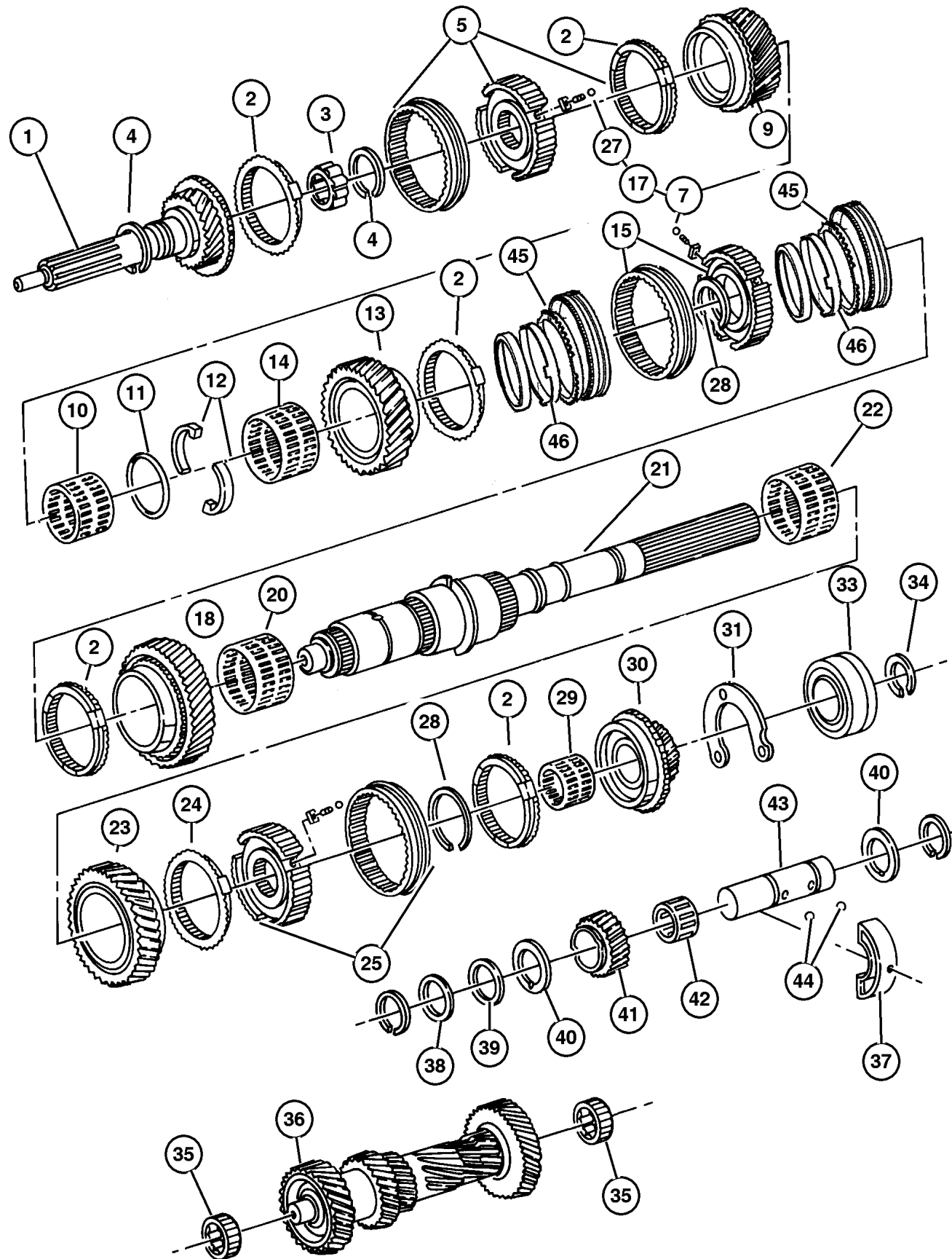
**JEEP WRANGLER (TJ)**

SERIES	LINE	BODY	ENGINE	TRANSMISSION
H = Sport	J = Wrangler 4WD	77 = 93.4 WB	ED1, ED0 = 2.4L DOHC	DGG, DGD = 32RH 3 Spd. Auto.
L = SE	U = Wrangler 4WD (RHD)		ERH = 4.0L Power Tech	DDD = 5 Speed HD Manual
M = X				DG0 = Auto. Trans.
P = Sahara				DBB = Manual Trans.
S = Rubicon				DDK = 5 Speed Manual

AR = Use as required - = Non illustrated part # = New this model year

January 6, 2004

**Gear Train (DDD)  
Figure 3550-410**



ITEM	PART NUMBER	QTY	LINE	SERIES	BODY	ENGINE	TRANS	TRIM	DESCRIPTION
	4741 136	1	U			ER0	DDD		
28	4741 805	1	J			ER0	DDD		RING, Transmission
		1	U			ER0	DDD		
29	4741 273	1	J			ER0	DDD		BEARING, Needle
		1	U			ER0	DDD		
30	5069 040AA	1	J			ER0	DDD		GEAR, Fifth
		1	U			ER0	DDD		
31	4741 114	1	J			ER0	DDD		RETAINER, Transmission Output Shaft Bearing
		1	U			ER0	DDD		
-32	4741 115	1	U			ER0	DDD		BOLT, Hex Retainer
		3	J			ER0	DDD		Retainer
33	4741 866AB	1	J			ER0	DDD		BEARING, Output Shaft
		1	U			ER0	DDD		
34	4741 266	1	U			ER0	DDD		SNAP RING, Output Shaft Bearing
		2	J			ER0	DDD		
35	5066 646AA	1	U			ER0	DDD		BEARING, Countershaft
		1	J			ER0	DDD		
36	5066 650AA	1	J			ER0	DDD		SHAFT, Counter
		1	U			ER0	DDD		
37	4741 312	1	J			ER0	DDD		SUPPORT, Segment Idler Shaft
		1	U			ER0	DDD		
38	4741 310	1	J			ER0	DDD		WASHER, Flat
		1	U			ER0	DDD		
39	4741 309	1	J			ER0	DDD		WASHER, Idler Gear
		1	U			ER0	DDD		
40	4741 307	2	J			ER0	DDD		THRUST WASHER, Reverse Idler

**JEEP WRANGLER (TJ)**

SERIES  
H = Sport  
L = SE  
M = X  
P = Sahara  
S = Rubicon

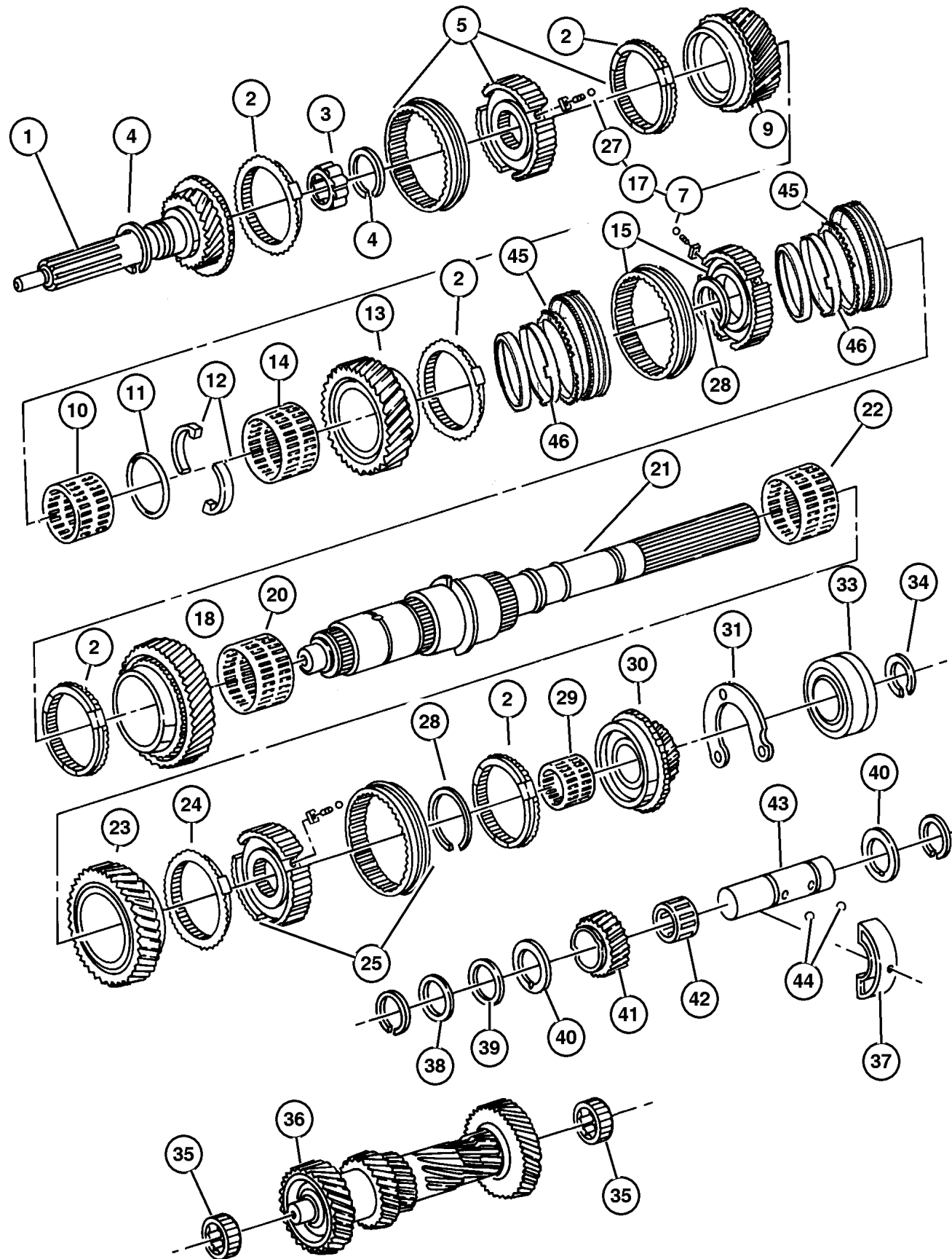
LINE  
J = Wrangler 4WD  
U = Wrangler 4WD (RHD)

BODY  
77 = 93.4 WB

ENGINE  
ED1, ED0 = 2.4L DOHC  
ERH = 4.0L Power Tech

TRANSMISSION  
DGG, DGD = 32RH 3 Spd. Auto.  
DDD = 5 Speed HD Manual  
DGO = Auto. Trans.  
DBB = Manual Trans.  
DDK = 5 Speed Manual

**Gear Train (DDD)  
Figure 3550-410**



ITEM	PART NUMBER	QTY	LINE	SERIES	BODY	ENGINE	TRANS	TRIM	DESCRIPTION
		1	U			ER0	DDD		
41	5066 651AA	1	J			ER0	DDD		GEAR, Reverse Idler
		1	U			ER0	DDD		
42	4874 359	1	J			ER0	DDD		BEARING, Idler
		1	U			ER0	DDD		
43	4741 303	1	J			ER0	DDD		IDLER SHAFT, Transmission
		1	U			ER0	DDD		
44	4741 891	2	J			ER0	DDD		BALL, Check, 4 mm
		1	U			ER0	DDD		
45	4874 363	2	J			ER0	DDD		RING, Synchronizer Blocker
		1	U			ER0	DDD		
46	4874 405	2	J			ER0	DDD		CONE, Synchronizer
		1	U			ER0	DDD		
-47	4874 403	2	J			ER0	DDD		RING
		1	U			ER0	DDD		
-48	4874 404	2	J			ER0	DDD		RING
		1	U			ER0	DDD		
-49	4741 311	1	U			ER0	DDD		SNAP RING
		2	J			ER0	DDD		
-50	5015 943AA	1	J			ER0	DDD		PLATE, Retaining
		1	U			ER0	DDD		
-51	5015 942AA	1	J			ER0	DDD		CAM, Reverse Block
		1	U			ER0	DDD		
-52	5015 944AA	1	J			ER0	DDD		SCREW, Hex Flange Head
		1	U			ER0	DDD		

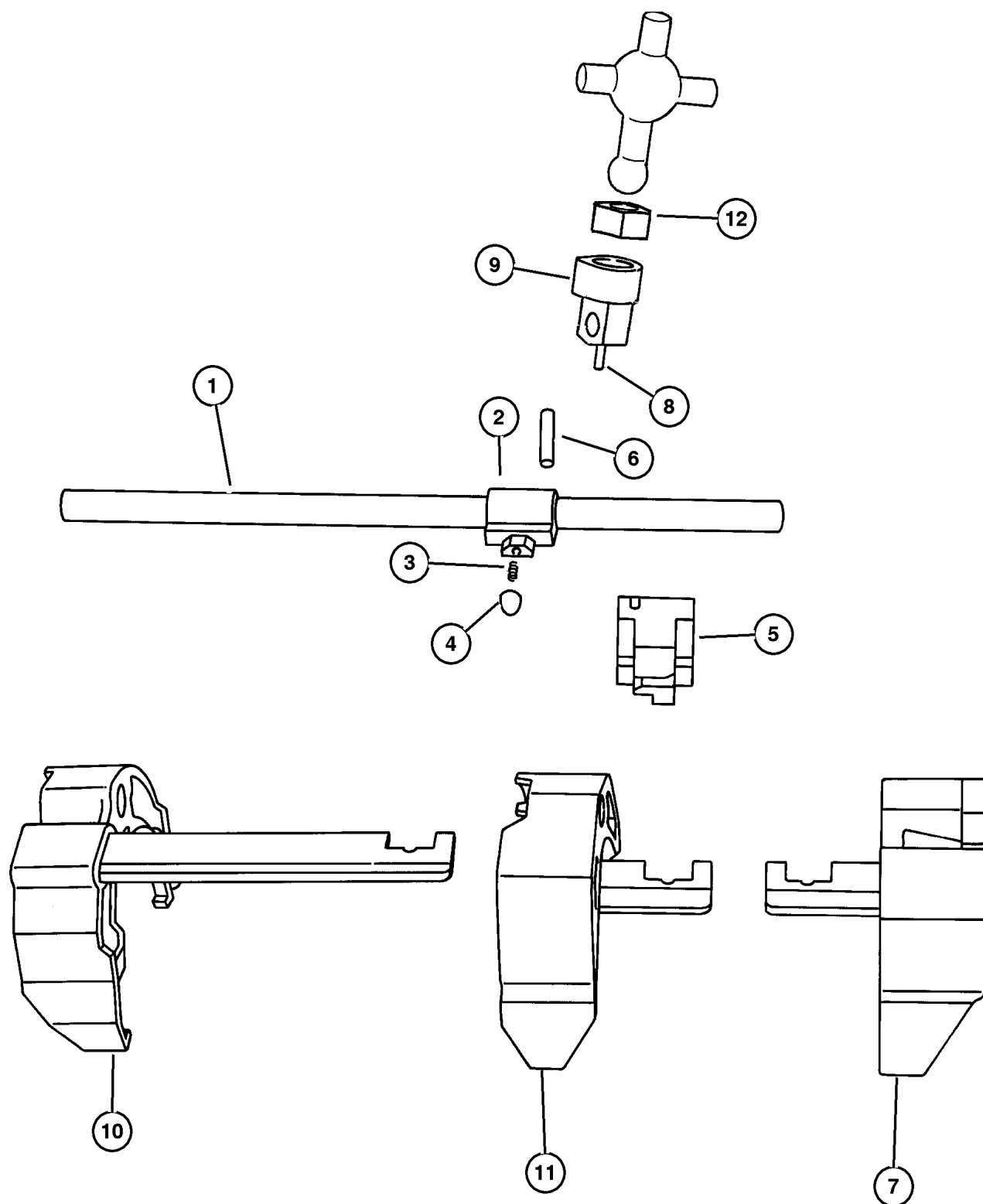
**JEEP WRANGLER (TJ)**

SERIES	LINE	BODY	ENGINE	TRANSMISSION
H = Sport	J = Wrangler 4WD	77 = 93.4 WB	ED1, ED0 = 2.4L DOHC	DGG, DGD = 32RH 3 Spd. Auto.
L = SE	U = Wrangler 4WD (RHD)		ERH = 4.0L Power Tech	DDD = 5 Speed HD Manual
M = X				DG0 = Auto. Trans.
P = Sahara				DBB = Manual Trans.
S = Rubicon				DDK = 5 Speed Manual

AR = Use as required - = Non illustrated part # = New this model year

January 6, 2004

Fork and Rails (DDD)  
Figure 3550-910



ITEM	PART NUMBER	QTY	LINE	SERIES	BODY	ENGINE	TRANS	TRIM	DESCRIPTION
NOTE; Sales Code									
[DDD] = 5 Speed Heavy Duty Manual Transmission									
[ER0] = All 4.0 L 6 Cylinder Gas Engines									
1	5015 951AB	1	J			ER0	DDD		SHAFT, Selector
		1	U			ER0	DDD		
2	5072 248AA	1	J			ER0	DDD		LEVER, Shift Shaft
		1	U			ER0	DDD		
3	4741 137	3	J			ER0	DDD		SPRING, Lever
		1	U			ER0	DDD		
4	5013 348AA	1	J			ER0	DDD		PLUNGER
		1	U			ER0	DDD		Shift Shaft Lever
5	5012 337AA	1	U			ER0	DDD		BUSHING, Transmission
		1	J			ER0	DDD		
6	5019 024AA	1	J			ER0	DDD		PIN
		1	U			ER0	DDD		
7	5066 352AB	1	J			ER0	DDD		FORK, Third and Fourth
		1	U			ER0	DDD		
8	4741 139	1	J			ER0	DDD		PIN, Shift Shaft
		1	U			ER0	DDD		
9	4874 352	1	J			ER0	DDD		SOCKET, Shift Shaft
		1	U			ER0	DDD		
10	5083 104AA	1	J			ER0	DDD		FORK, Transmission
		1	U			ER0	DDD		
11	4886 077AB	1	J			ER0	DDD		FORK, First and Second
		1	U			ER0	DDD		
12	5012 020AA	1	J			ER0	DDD		ISOLATOR, Shift Lever
		1	U			ER0	DDD		

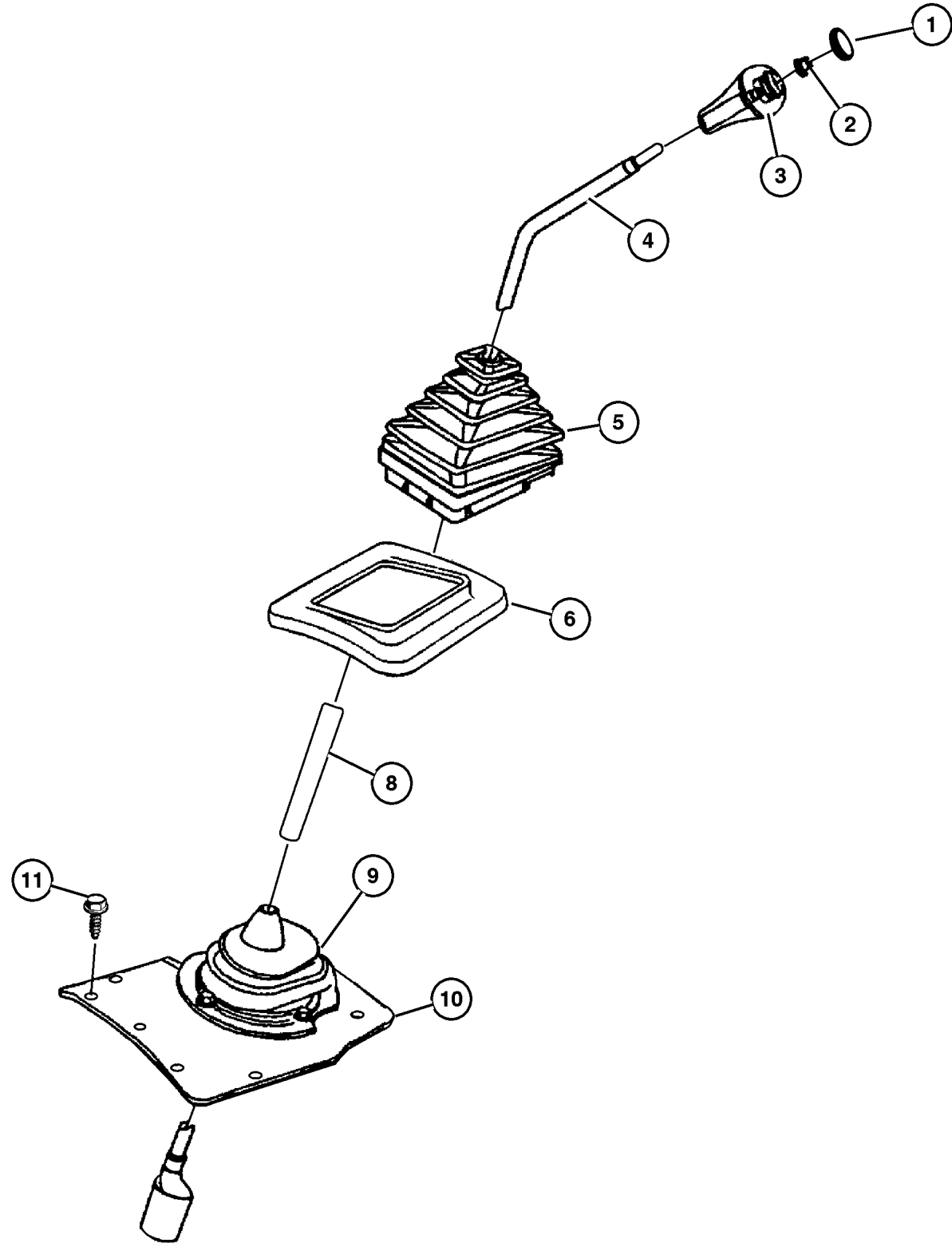
JEEP WRANGLER (TJ)

SERIES	LINE	BODY	ENGINE	TRANSMISSION
H = Sport	J = Wrangler 4WD	77 = 93.4 WB	ED1, ED0 = 2.4L DOHC	DGG, DGD = 32RH 3 Spd.
L = SE	U = Wrangler 4WD (RHD)		ERH = 4.0L Power Tech	Auto.
M = X				DDD = 5 Speed HD Manual
P = Sahara				DG0 = Auto. Trans.
S = Rubicon				DBB = Manual Trans.
				DDK = 5 Speed Manual

AR = Use as required - = Non illustrated part # = New this model year

January 6, 2004

**Gearshift Controls (DDD)  
Figure 3550-1210**



ITEM	PART NUMBER	QTY	LINE	SERIES	BODY	ENGINE	TRANS	TRIM	DESCRIPTION
NOTE; Sales Code									
[DBB] = All Manual Transmissions									
1	4446 921	1					DBB		INSERT, Transmission Shift Knob
2	6502 556	1					DBB		NUT, Hex, M10-1.5
3	5210 4174	1					DBB		KNOB, Gearshift
4									LEVER, Gearshift
	52109 726AB	1	J				DBB		
	52109 727AB	1	U				DBB		
5	5207 8558	1					DBB		BOOT, Gear Shift Lever
6	53000 056AB	1					DBB		BEZEL, Gearshift Lever Boot
-7	6506 668AA	1					DBB		SCREW, Cap
8									TUBE, Governor Support, (NOT REQUIRED)
9									BOOT, Inner Gearshift, Serviced in item 9, (NOT SERVICED) (Not Serviced)
10	52109 771AA	1					DBB		COVER, Floor Pan
11	6506 348AA	6					DBB		SCREW AND WASHER, Hex Head, M6x1x25
-12									PLATE, Retaining Reverse Block
	5015 943AA	1	J			ER0	DDD		
			U			ER0	DDD		Reverse Block
-13									CAM, Reverse Block
	5015 942AA	1	J			ER0	DDD		
			U			ER0	DDD		

**JEEP WRANGLER (TJ)**

SERIES	LINE	BODY	ENGINE	TRANSMISSION
H = Sport	J = Wrangler 4WD	77 = 93.4 WB	ED1, ED0 = 2.4L DOHC	DGG, DGD = 32RH 3 Spd. Auto.
L = SE	U = Wrangler 4WD (RHD)		ERH = 4.0L Power Tech	DDD = 5 Speed HD Manual
M = X				DG0 = Auto. Trans.
P = Sahara				DBB = Manual Trans.
S = Rubicon				DDK = 5 Speed Manual

AR = Use as required - = Non illustrated part # = New this model year

January 6, 2004



# Group – NV2550

## Manual Transmission 5 Speed

### GROUP NV2550 - Manual Transmission 5 Speed

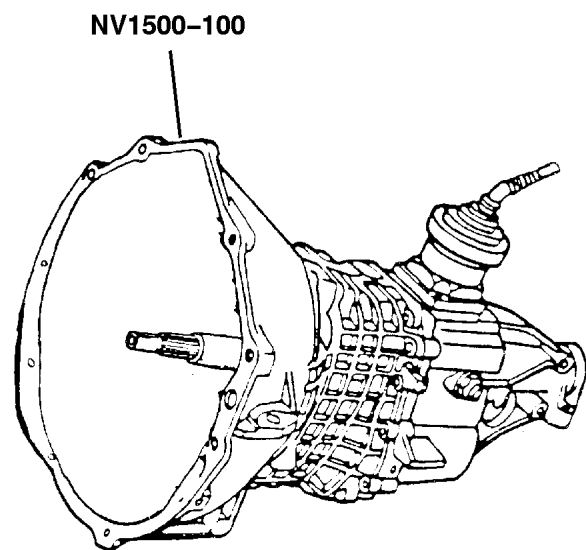


Illustration Title

Group-Fig. No.

#### Transmission Assembly

Transmission [NV 2550] [DDK] ..... Fig. NV2550-110

#### Case and Extension

Case and Extension [NV 2550] [DDK] ..... Fig. NV2550-210

#### Gear Train

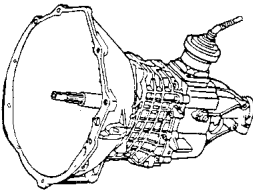
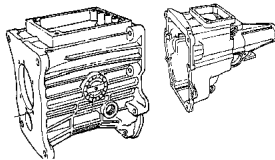
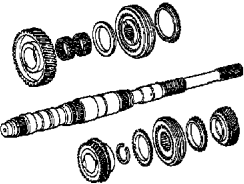
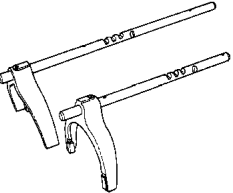

Gear Train [NV 2550] [DDK] ..... Fig. NV2550-410

#### Fork and Rails

Fork and Rail [NV 2550] [DDK] ..... Fig. NV2550-910

#### Gearshift Controls

Gearshift Controls ..... Fig. NV2550-1210

<p><b>NV2550-100</b> Transmission Assembly</p> 	<p><b>NV2550-200</b> Case and Extension</p> 	<p><b>NV2550-400</b> Gear Train</p> 	<p><b>NV2550-900</b> Fork and Rails</p> 
<p><b>NV2550-1200</b> Gearshift Controls</p> 			

Transmission [NV 2550] [DDK]  
Figure NV2550-110

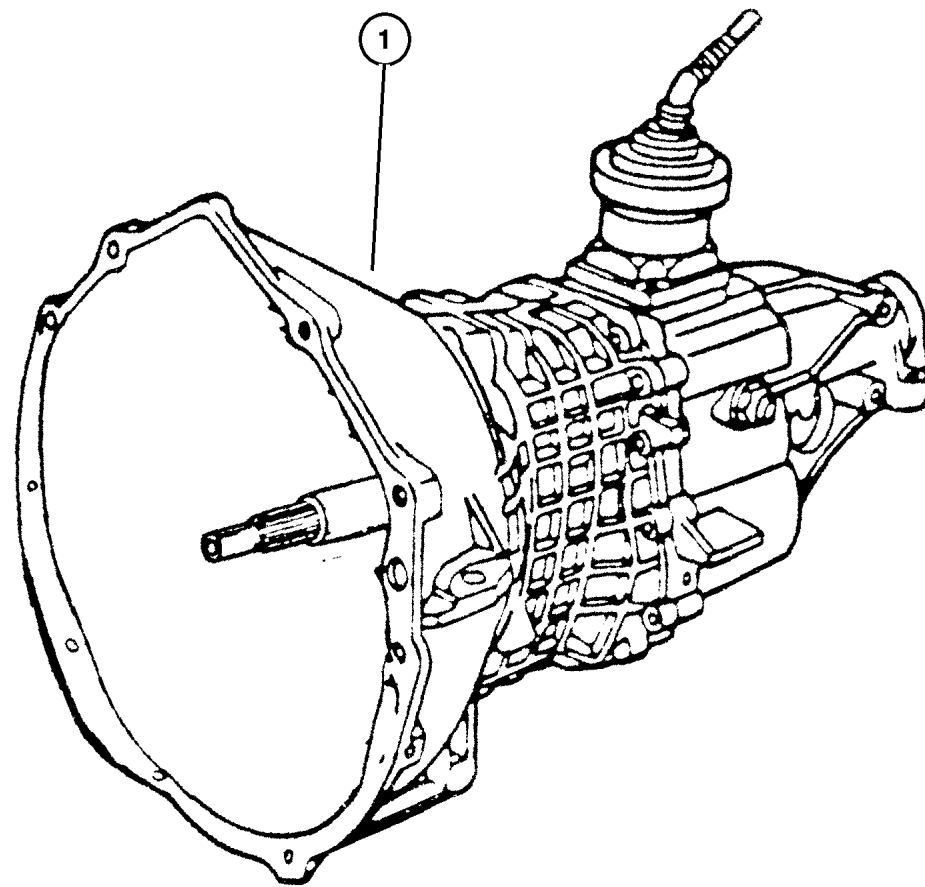
ITEM	PART NUMBER	QTY	LINE	SERIES	BODY	ENGINE	TRANS	TRIM	DESCRIPTION
------	-------------	-----	------	--------	------	--------	-------	------	-------------

NOTE; Sales Codes

[DDK] = 5 Speed Heavy Duty Manual Transmissions

[ED0] = All 2.2,2.5,2.4 L 4 Cylinder Gas Engines

1	52108 296AB	1				ED0	DDK		TRANSMISSION, 5 Speed
---	-------------	---	--	--	--	-----	-----	--	-----------------------



JEEP WRANGLER (TJ)

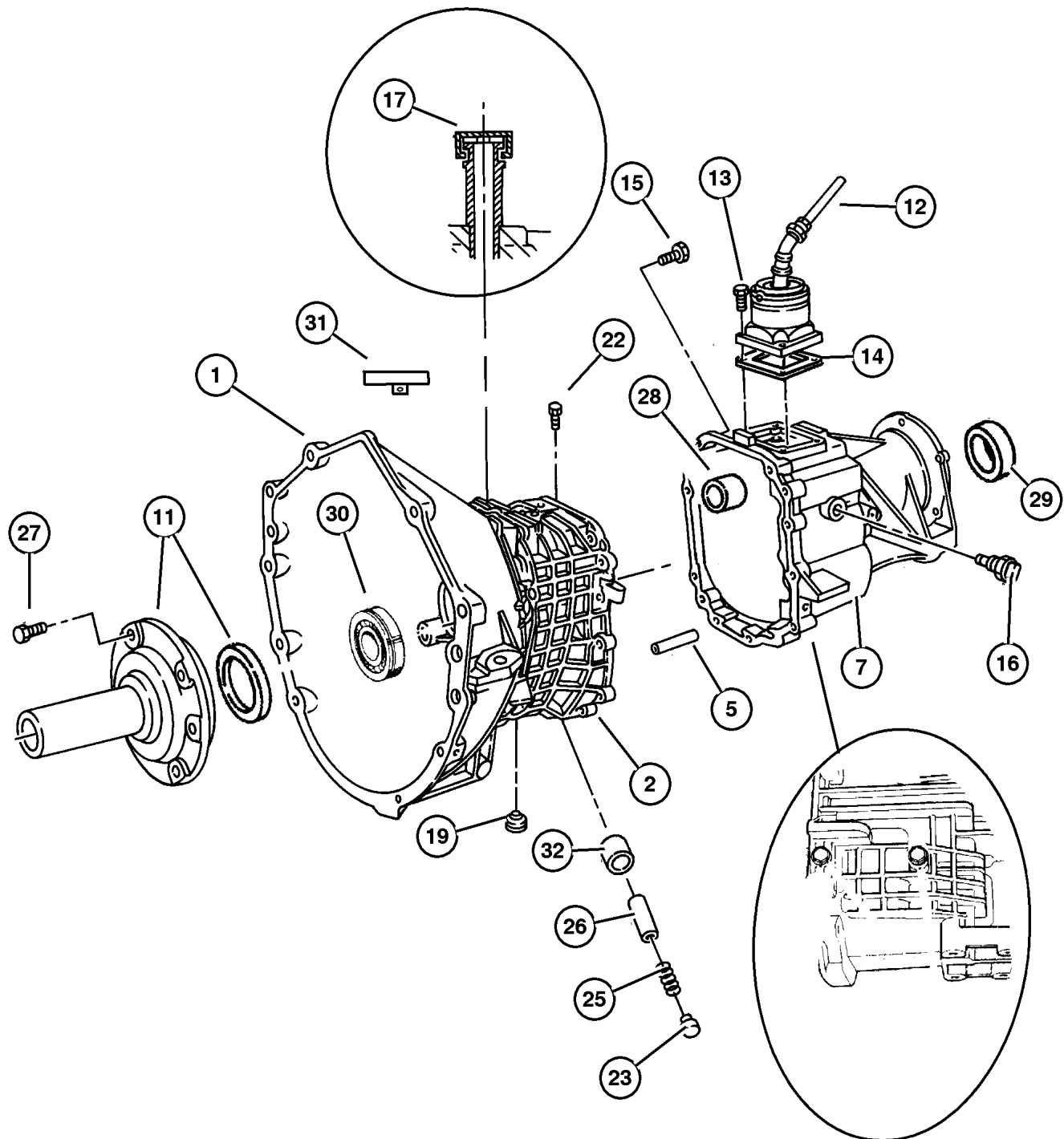
SERIES	LINE	BODY	ENGINE	TRANSMISSION
H = Sport	J = Wrangler 4WD	77 = 93.4 WB	ED1, ED0 = 2.4L DOHC	DGG, DGD = 32RH 3 Spd. Auto.
L = SE	U = Wrangler 4WD (RHD)		ERH = 4.0L Power Tech	DDD = 5 Speed HD Manual
M = X				DG0 = Auto. Trans.
P = Sahara				DBB = Manual Trans.
S = Rubicon				DDK = 5 Speed Manual

AR = Use as required - = Non illustrated part # = New this model year

January 6, 2004

**Case and Extension [NV 2550] [DDK]  
Figure NV2550-210**

ITEM	PART NUMBER	QTY	LINE	SERIES	BODY	ENGINE	TRANS	TRIM	DESCRIPTION
NOTE; Sales Codes									
[DBB] = All Manual Transmissions									
[DDK] = 5 Speed Heavy Duty Manual Transmissions									
[ED0] = All 2.2,2.5,2.4 L 4 Cylinder Gas Engines									
1	52107 786AA	1				ED0	DBB		HOUSING, Clutch
2	5018 670AA	1				ED0	DDK		CASE, Transmission
-3	4740 899	1				ED0	DDK		BUSHING, Shift Rail
-4	5013 313AA	1				ED0	DDK		CUP, Bearing Inner
5	5013 314AA	1				ED0	DDK		DOWEL, Transmission Case
-6									SHIM
	5013 315AA	1				ED0	DDK		[.50]
	5013 316AA	1				ED0	DDK		[.54]
	5013 317AA	1				ED0	DDK		[.58]
7	5101 838AB	1				ED0	DDK		CASE, Transmission Rear
-8	4740 899	1				ED0	DDK		BUSHING, Shift Rail
-9	4740 892	1				ED0	DDK		BUSHING, Detent
-10	5013 313AA	1				ED0	DDK		CUP, Bearing Inner
11	5013 413AA	1				ED0	DDK		RETAINER, Shaft
12	5093 146AA	1				ED0	DDK		LEVER, Gearshift
13	4741 144	1				ED0	DDK		BOLT, Hex Head
14	4886 153AA	1				ED0	DDK		SEAL, Shift Lever
15	1150 2628	1				ED0	DDK		BOLT, Hex Flange Head, M8x1.25x30
16	5600 7163	1				ED0	DDK		SWITCH, Back Up Lamp
17	5013 319AA	1				ED0	DDK		VENT, Transmission
-18	5013 320AA	1				ED0	DDK		O RING
19	4882 280	1				ED0	DDK		PLUG, Oil Fill
-20	5013 327AA	1				ED0	DDK		MAGNET, Transmission
-21	5019 683AA	1				ED0	DDK		CLIP
22	5013 321AA	1				ED0	DDK		PIN, Detent
23	5013 339AA	1				ED0	DDK		PLUG, Shift Rail
-24	5072 115AA	1				ED0	DDK		BOLT
25	5093 217AA	1				ED0	DDK		SPRING, Shift Detent
26	5015 949AA	1				ED0	DDK		PLUNGER
27	4741 123	1				ED0	DDK		BOLT, Hex Head, M8x1.25x50
28									BEARING, Ball, (NOT SERVICED) (Not Serviced)
29	5013 333AA	1				ED0	DDK		SEAL, Adapter
30	5013 411AA	1				ED0	DDK		BEARING, Input Shaft
31	5013 319AA	1				ED0	DDK		VENT, Transmission
32	4740 892	1				ED0	DDK		BUSHING, Detent



**JEEP WRANGLER (TJ)**

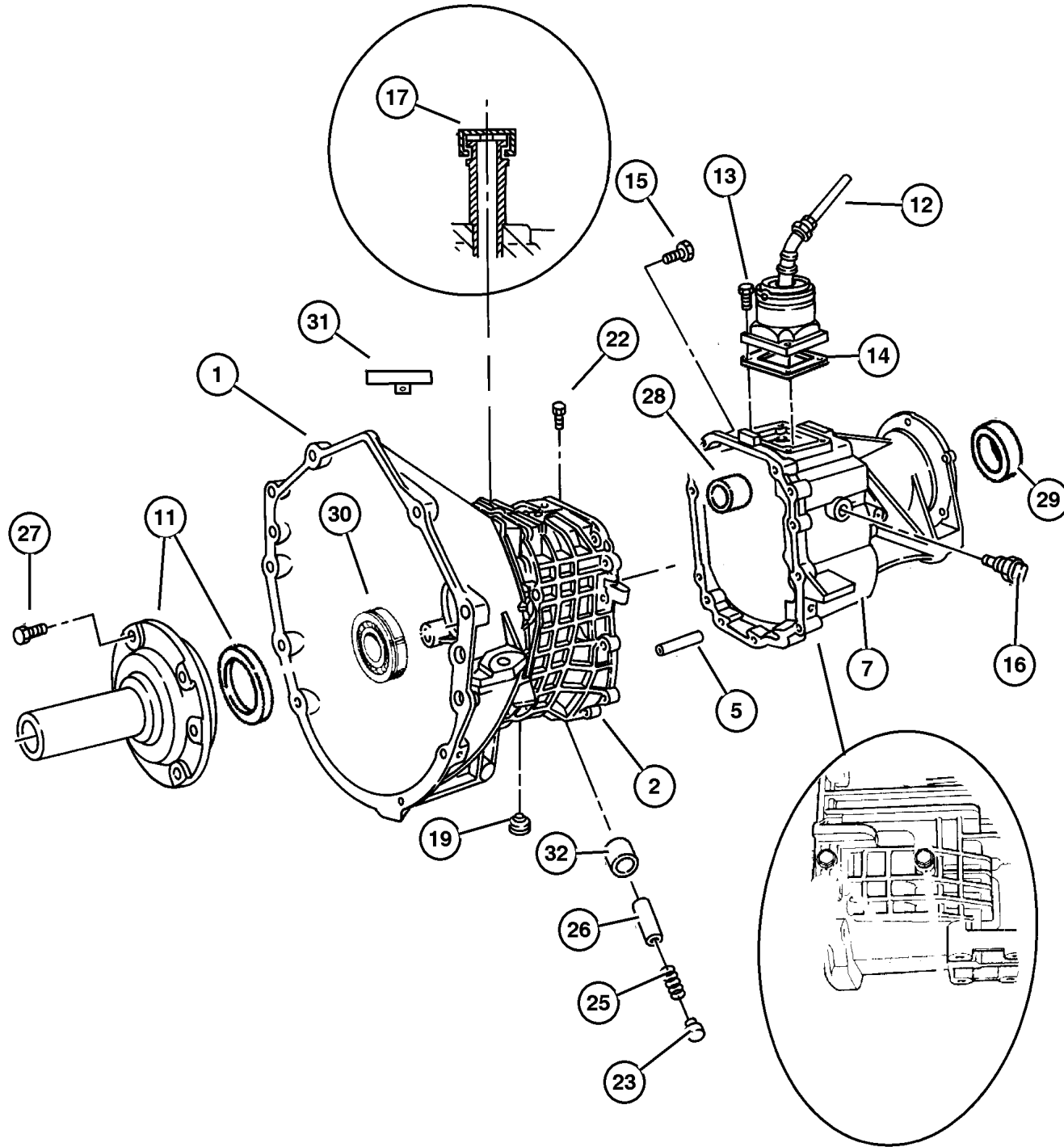
<b>SERIES</b>	<b>LINE</b>	<b>BODY</b>	<b>ENGINE</b>	<b>TRANSMISSION</b>
H = Sport	J = Wrangler 4WD	77 = 93.4 WB	ED1, ED0 = 2.4L DOHC	DGG, DGD = 32RH 3 Spd. Auto.
L = SE	U = Wrangler 4WD (RHD)		ERH = 4.0L Power Tech	DDD = 5 Speed HD Manual
M = X				DG0 = Auto. Trans.
P = Sahara				DBB = Manual Trans.
S = Rubicon				DDK = 5 Speed Manual

AR = Use as required - = Non illustrated part # = New this model year

January 6, 2004

Case and Extension [NV 2550] [DDK]  
Figure NV2550-210

ITEM	PART NUMBER	QTY	LINE	SERIES	BODY	ENGINE	TRANS	TRIM	DESCRIPTION
-33	5013 337AA	1				ED0	DDK		DOWEL, Transmission Case
-34	5013 418AA	1				ED0	DDK		BOLT, Hex Head, M8, Reverse Idler M8x1.25x6G
-35	5013 419AA	1				ED0	DDK		BOLT, Hex Head, M8, Reverse Idler M8x1.25x6G

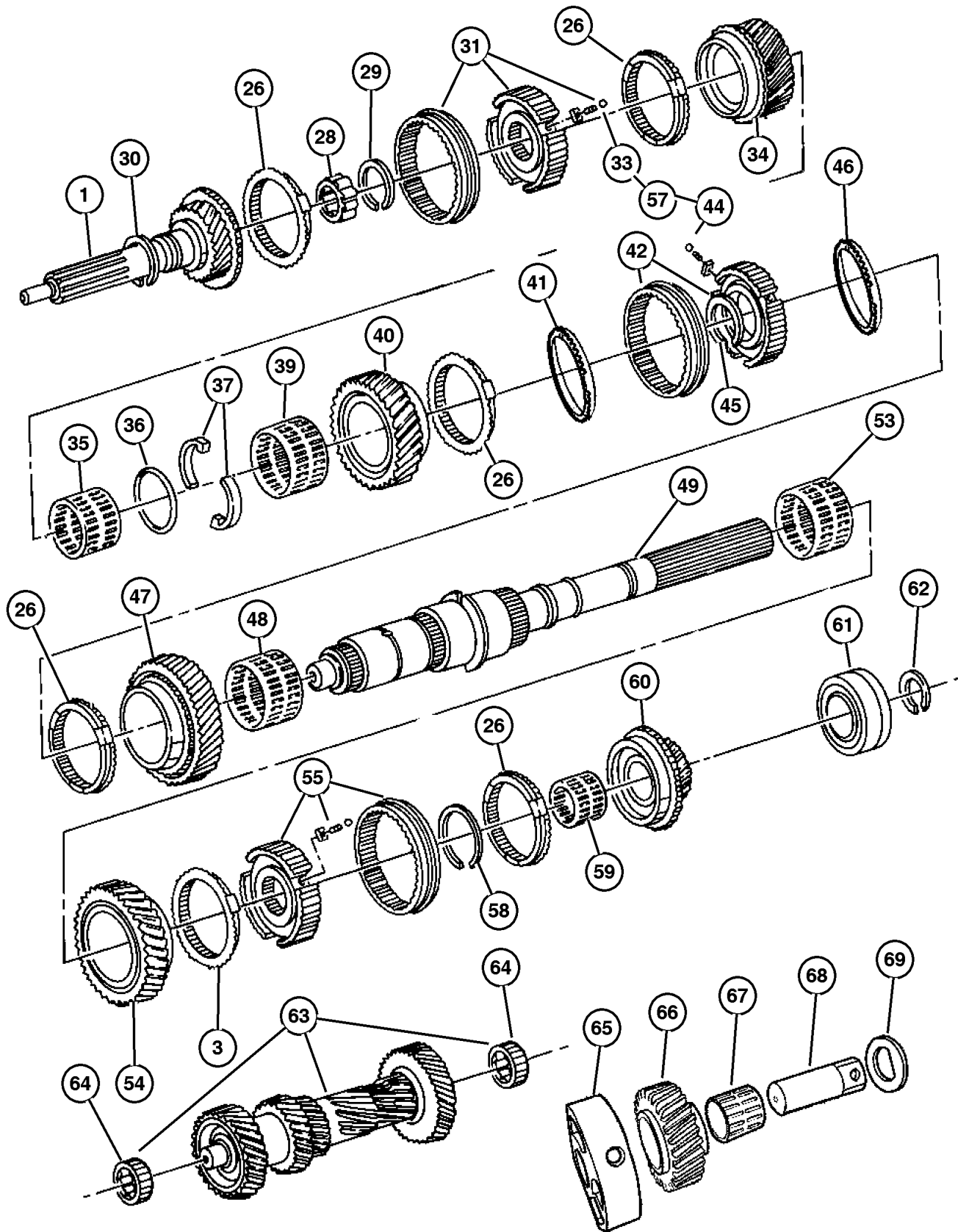


<b>JEEP WRANGLER (TJ)</b>				
SERIES	LINE	BODY	ENGINE	TRANSMISSION
H = Sport	J = Wrangler 4WD	77 = 93.4 WB	ED1, ED0 = 2.4L DOHC	DGG, DGD = 32RH 3 Spd. Auto.
L = SE	U = Wrangler 4WD (RHD)		ERH = 4.0L Power Tech	DDD = 5 Speed HD Manual
M = X				DG0 = Auto. Trans.
P = Sahara				DBB = Manual Trans.
S = Rubicon				DDK = 5 Speed Manual

AR = Use as required - = Non illustrated part # = New this model year

January 6, 2004

**Gear Train [NV 2550] [DDK]  
Figure NV2550-410**



ITEM	PART NUMBER	QTY	LINE	SERIES	BODY	ENGINE	TRANS	TRIM	DESCRIPTION
------	-------------	-----	------	--------	------	--------	-------	------	-------------

NOTE; Sales Codes

[DDK] = 5 Speed Heavy Duty Manual Transmissions

[ED0] = All 2.2,2.5,2.4 L 4 Cylinder Gas Engines

1	5093 171AA	1				ED0	DDK		SHAFT, Input
-2	5013 410AA	1				ED0	DDK		NEEDLE BEARING, Input Shaft
3	5013 411AA	1				ED0	DDK		BEARING, Input Shaft
-4	4202 751	1				ED0	DDK		SPACER, Input Shaft, 0.62mm(.024")
-5	4202 301	1				ED0	DDK		SPACER, Input Shaft, 0.66mm(.026")
-6	4202 302	1				ED0	DDK		SPACER, Input Shaft, 0.70mm(.028")
-7	4202 303	1				ED0	DDK		SPACER, Input Shaft, 0.74mm(.029")
-8	4202 304	1				ED0	DDK		SPACER, Input Shaft, 0.78mm(.031")
-9	4202 307	1				ED0	DDK		SPACER, Input Shaft, 0.90mm(.035")
-10	4202 308	1				ED0	DDK		SPACER, Input Shaft, 0.94mm(.037")
-11	4202 309	1				ED0	DDK		SPACER, Input Shaft, 0.98mm(.039")
-12	4202 310	1				ED0	DDK		SPACER, Input Shaft, 1.02mm(.040")
-13	4202 311	1				ED0	DDK		SPACER, Input Shaft, 1.06mm(.042")
-14	4202 312	1				ED0	DDK		SPACER, Input Shaft, 1.10mm(.043")
-15	4202 313	1				ED0	DDK		SPACER, Input Shaft, 1.14mm(.045")
-16	4202 314	1				ED0	DDK		SPACER, Input Shaft, 1.18mm(.046")
-17	4202 315	1				ED0	DDK		SPACER, Input Shaft, 1.22mm(.048")
-18	4202 316	1				ED0	DDK		SPACER, Input Shaft, 1.26mm(.050")
-19	4202 317	1				ED0	DDK		SPACER, Input Shaft, 1.30mm(.051")
-20	4202 318	1				ED0	DDK		SPACER, Input Shaft, 1.34mm(.053")
-21	4202 319	1				ED0	DDK		SPACER, Input Shaft, 1.38mm(.054")
-22	4202 320	1				ED0	DDK		SPACER, Input Shaft, 1.42mm(.056")
-23	4202 321	1				ED0	DDK		SPACER, Input Shaft, 1.46mm(.057")
-24	4202 322	1				ED0	DDK		SPACER, Input Shaft, 1.50mm(.059")
-25	4202 323	1				ED0	DDK		SPACER, Input Shaft, 1.54mm(.061")
26	5013 366AA	1				ED0	DDK		RING, Synchronizer Blocker
-27	5013 368AA	1				ED0	DDK		RING, Synchronizer Blocker
28	5013 410AA	1				ED0	DDK		NEEDLE BEARING, Input Shaft
29	5013 318AB	1				ED0	DDK		SNAP RING PACKAGE, Fifth Gear
30	5013 379AA	1				ED0	DDK		RING, Snap
31	5013 367AA	1				ED0	DDK		SYNCHRONIZER, Fifth And Reverse, Third and Fourth
-32	5080 807AA	1				ED0	DDK		SPRING, Synchronizer
33	4741 136	1				ED0	DDK		BALL, Shift Lever, M5
34	5018 679AA	1				ED0	DDK		GEAR, Third
35	5013 365AA	1				ED0	DDK		BEARING, Needle
36	5013 397AA	1				ED0	DDK		SNAP RING
37	5013 398AA	1				ED0	DDK		WASHER, Output Shaft

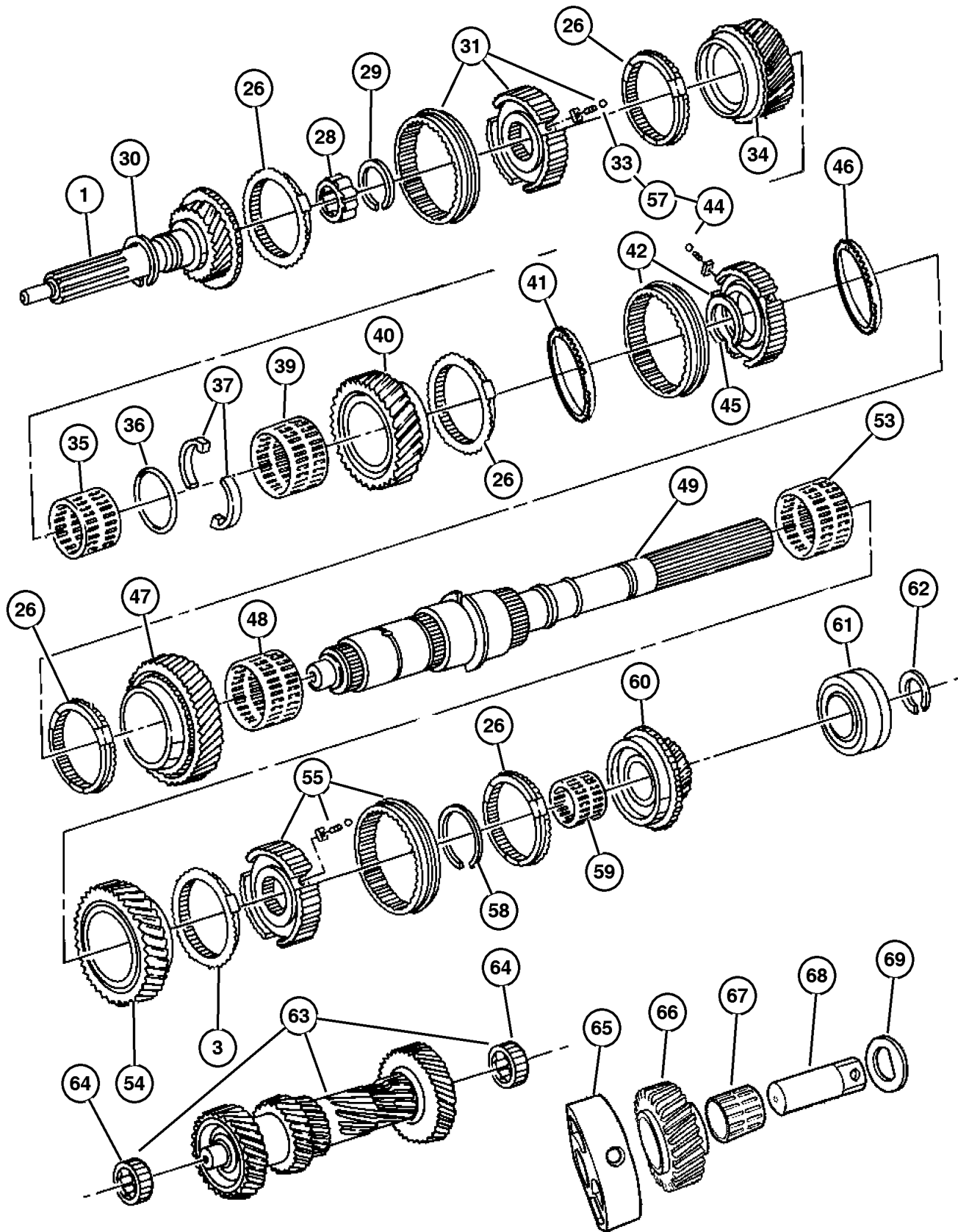
**JEEP WRANGLER (TJ)**

SERIES	LINE	BODY	ENGINE	TRANSMISSION
H = Sport	J = Wrangler 4WD	77 = 93.4 WB	ED1, ED0 = 2.4L DOHC	DGG, DGD = 32RH 3 Spd. Auto.
L = SE	U = Wrangler 4WD (RHD)		ERH = 4.0L Power Tech	DDD = 5 Speed HD Manual
M = X				DG0 = Auto. Trans.
P = Sahara				DBB = Manual Trans.
S = Rubicon				DDK = 5 Speed Manual

AR = Use as required - = Non illustrated part # = New this model year

January 6, 2004

**Gear Train [NV 2550] [DDK]  
Figure NV2550-410**



ITEM	PART NUMBER	QTY	LINE	SERIES	BODY	ENGINE	TRANS	TRIM	DESCRIPTION
-38	5013 378AA	1				ED0	DDK		PIN
39	5013 365AA	1				ED0	DDK		BEARING, Needle
40	5013 395AA	1				ED0	DDK		GEAR, Second
41	5013 385AB	1				ED0	DDK		RING, 1st and 2nd Speed Blocker
42	5013 386AA	1				ED0	DDK		SYNCHRONIZER, First and Second
-43	5080 807AA	1				ED0	DDK		SPRING, Synchronizer
44	4741 136	1				ED0	DDK		BALL, Shift Lever, M5
45	5013 390AA	1				ED0	DDK		SNAP RING PACKAGE, Transmission
46	5013 385AB	1				ED0	DDK		RING, 1st and 2nd Speed Blocker
47	5013 380AA	1				ED0	DDK		GEAR, First
48	5013 381AA	1				ED0	DDK		BEARING, First Gear
49	5018 675AA	1				ED0	DDK		SHAFT, Output
-50	5013 328AA	1				ED0	DDK		RETAINER, Transmission Output Shaft Bearing
-51	5013 329AA	1				ED0	DDK		BOLT, Output Shaft Retainer
-52	5013 331AA	1				ED0	DDK		SEAL, O-Ring
53	5013 365AA	1				ED0	DDK		BEARING, Needle
54	5013 364AA	1				ED0	DDK		GEAR, Reverse
55	5013 367AA	1				ED0	DDK		SYNCHRONIZER, Fifth And Reverse
-56	5080 807AA	1				ED0	DDK		SPRING, Synchronizer
57	4741 136	1				ED0	DDK		BALL, Shift Lever, M5
58	5013 318AB	1				ED0	DDK		SNAP RING PACKAGE, Fifth Gear
59	5013 375AA	1				ED0	DDK		BEARING, Needle
60	5013 373AA	1				ED0	DDK		GEAR, Fifth
61	5013 376AA	1				ED0	DDK		BEARING, Output Shaft
62	5013 377AA	1				ED0	DDK		SNAP RING, Output Shaft Bearing
63	5013 414AA	1				ED0	DDK		SHAFT, Counter
64	5013 416AA	1				ED0	DDK		CONE ASSEMBLY, Countershaft
65	5127 544AA	1				ED0	DDK		SUPPORT, Segment Idler Shaft
66	5127 539AA	1				ED0	DDK		GEAR, Reverse Idler
67	5013 417AA	1				ED0	DDK		BEARING, Idler
68	5127 512AA	1				ED0	DDK		IDLER SHAFT, Transmission
69	5127 545AA	1				ED0	DDK		WASHER, Reverse Idler
-70	4419 650	1				ED0	DDK		SHIM PACKAGE, Countershaft
-71	5015 943AA	1				ED0	DDK		PLATE, Retaining
-72	5015 942AA	1				ED0	DDK		CAM, Reverse Block

**JEEP WRANGLER (TJ)**

SERIES  
H = Sport  
L = SE  
M = X  
P = Sahara  
S = Rubicon

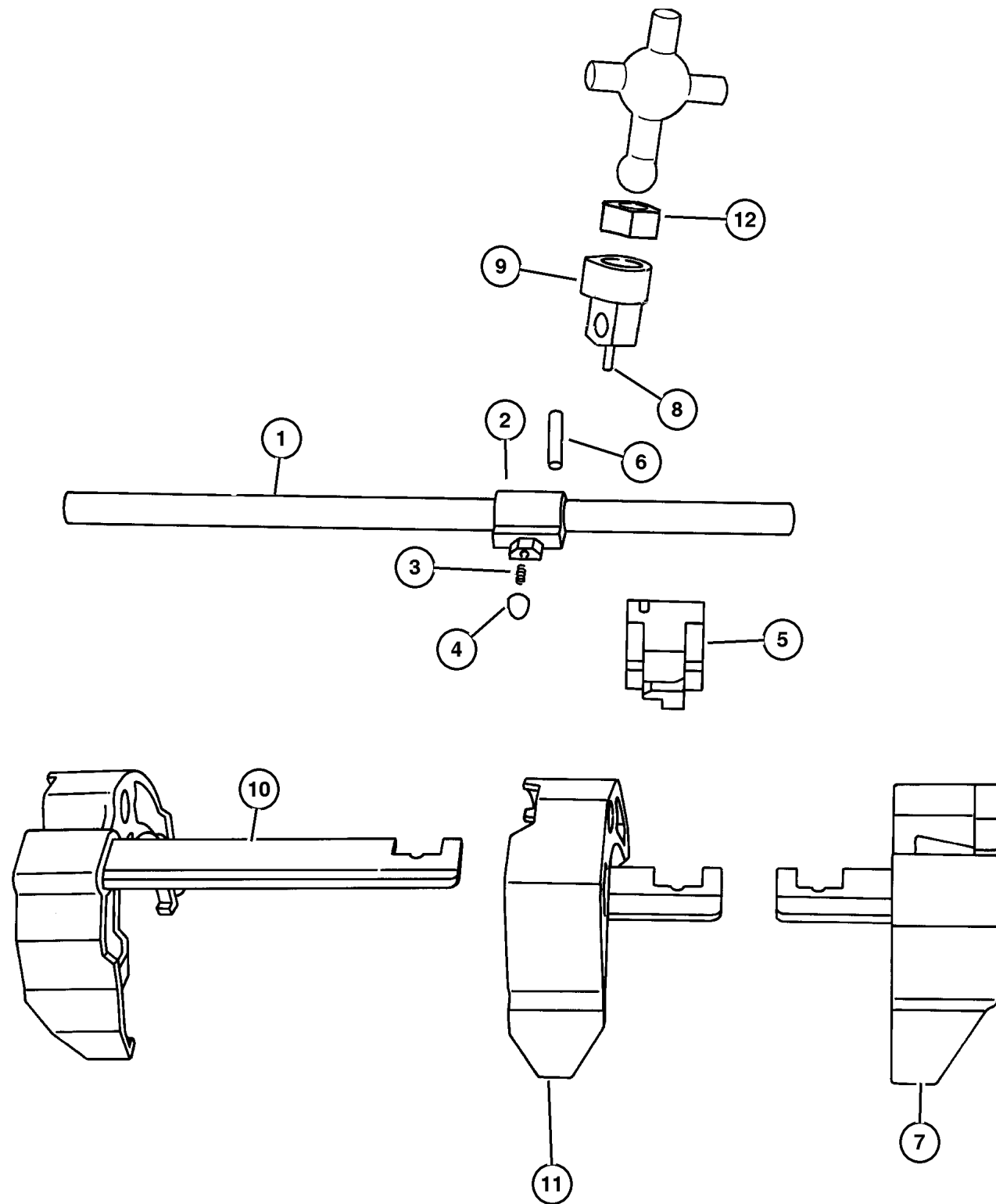
LINE  
J = Wrangler 4WD  
U = Wrangler 4WD (RHD)

BODY  
77 = 93.4 WB

ENGINE  
ED1, ED0 = 2.4L DOHC  
ERH = 4.0L Power Tech

TRANSMISSION  
DGG, DGD = 32RH 3 Spd. Auto.  
DDD = 5 Speed HD Manual  
DGO = Auto. Trans.  
DBB = Manual Trans.  
DDK = 5 Speed Manual

Fork and Rail [NV 2550] [DDK]  
Figure NV2550-910



ITEM	PART NUMBER	QTY	LINE	SERIES	BODY	ENGINE	TRANS	TRIM	DESCRIPTION
------	-------------	-----	------	--------	------	--------	-------	------	-------------

NOTE; Sales Codes

[DDK] = 5 Speed Heavy Duty Manual Transmissions

[ED0] = All 2.2,2.5,2.4 L 4 Cylinder Gas Engines

1	5072 116AA	1				ED0	DDK		SHAFT, Shift Lever
2	5016 504AA	1				ED0	DDK		LEVER, Shift Shaft
3									SPRING, Lever, (NOT REQUIRED)
4	5015 949AA	1				ED0	DDK		PLUNGER
5	5013 350AA	1				ED0	DDK		BUSHING, Transmission
6	5019 024AA	1				ED0	DDK		PIN, Shift Fork Trac
7	5013 344AA	1				ED0	DDK		FORK, Third and Fourth
8	4741 139	1				ED0	DDK		PIN, Shift Shaft
9	4874 352	1				ED0	DDK		SOCKET, Shift Shaft
10	5013 345AA	1				ED0	DDK		FORK, Fifth Shift
11	5013 343AA	1				ED0	DDK		FORK, First and Second
12	5012 020AA	1				ED0	DDK		ISOLATOR, Shift Lever

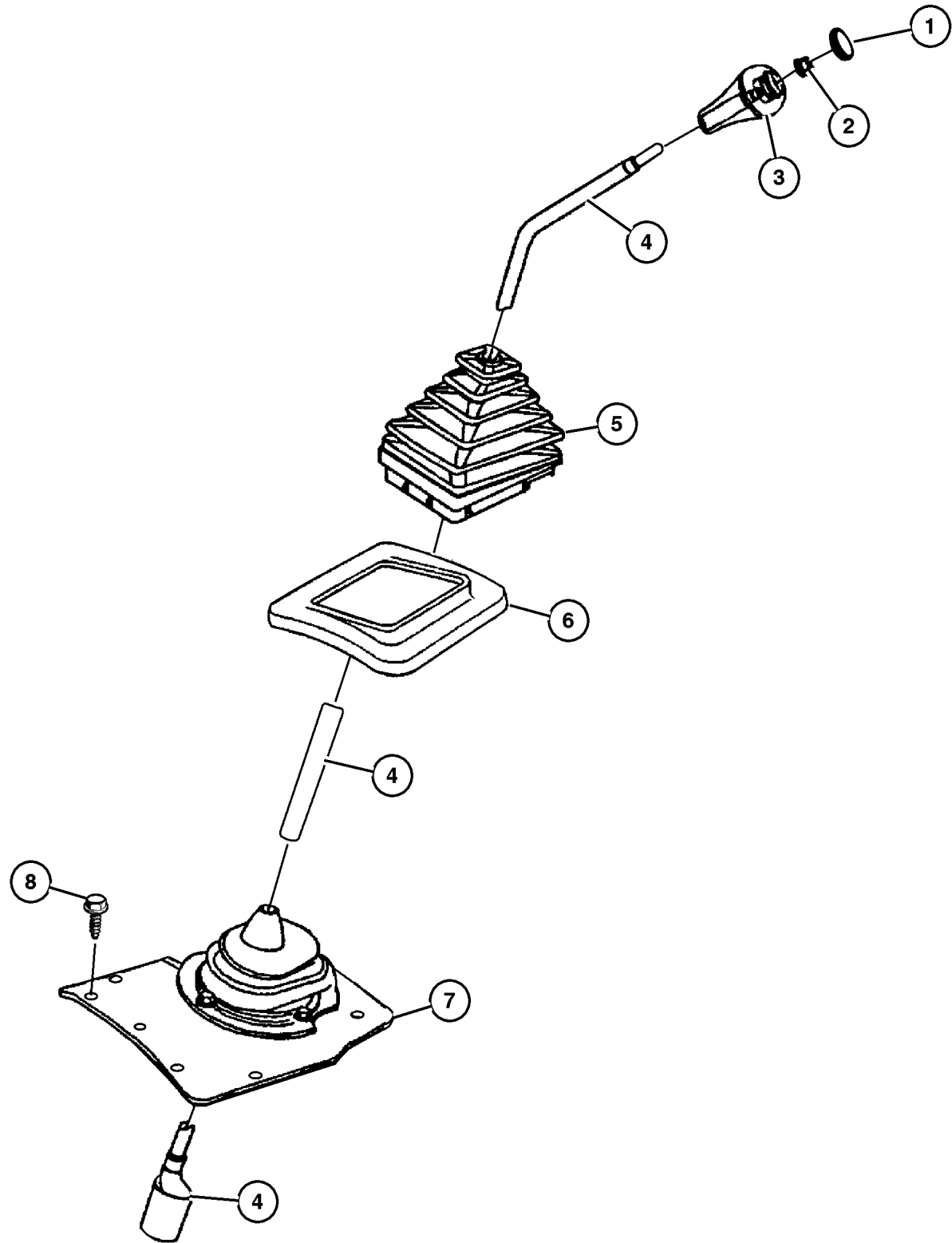
JEEP WRANGLER (TJ)

SERIES	LINE	BODY	ENGINE	TRANSMISSION
H = Sport	J = Wrangler 4WD	77 = 93.4 WB	ED1, ED0 = 2.4L DOHC	DGG, DGD = 32RH 3 Spd. Auto.
L = SE	U = Wrangler 4WD (RHD)		ERH = 4.0L Power Tech	DDD = 5 Speed HD Manual
M = X				DG0 = Auto. Trans.
P = Sahara				DBB = Manual Trans.
S = Rubicon				DDK = 5 Speed Manual

AR = Use as required - = Non illustrated part # = New this model year

January 6, 2004

## Gearshift Controls Figure NV2550-1210



ITEM	PART NUMBER	QTY	LINE	SERIES	BODY	ENGINE	TRANS	TRIM	DESCRIPTION
NOTE; Sales Codes									
[DBB] = All Manual Transmissions									
[DDK] = 5 Speed Heavy Duty Manual Transmissions									
[ED0] = All 2.2,2.5,2.4 L 4 Cylinder Gas Engines									
1	4446 921	1					DBB		INSERT, Transmission Shift Knob
2	6502 556	1					DBB		NUT, Hex, M10-1.5
3	5210 4174	1					DBB		KNOB, Gearshift
4									LEVER, Gearshift
	52109 726AB	1	J				DBB		
	52109 727AB	1	U				DBB		
5	5207 8558	1					DBB		BOOT, Gear Shift Lever
6	53000 056AB	1					DBB		BEZEL, Gearshift Lever Boot
7	52109 771AA	1					DBB		COVER, Floor Pan
8	6506 348AA	6					DBB		SCREW AND WASHER, Hex Head, M6x1x25
-9	5015 943AA	1				ED0	DDK		PLATE, Retaining
-10	5015 942AA	1				ED0	DDK		CAM, Reverse Block

### JEEP WRANGLER (TJ)

SERIES	LINE	BODY	ENGINE	TRANSMISSION
H = Sport	J = Wrangler 4WD	77 = 93.4 WB	ED1, ED0 = 2.4L DOHC	DGG, DGD = 32RH 3 Spd. Auto.
L = SE	U = Wrangler 4WD (RHD)		ERH = 4.0L Power Tech	DDD = 5 Speed HD Manual
M = X				DG0 = Auto. Trans.
P = Sahara				DBB = Manual Trans.
S = Rubicon				DDK = 5 Speed Manual

AR = Use as required - = Non illustrated part # = New this model year

January 6, 2004



# Group – 231

## Transfer Case Model 231

### GROUP 231 - Transfer Case Model 231

Illustration Title

Group-Fig. No.

#### Transfer Case Assembly

Command Trac Transfer Case [DHN] ..... Fig. 231-110

#### Case and Related Parts

Case & Related Parts, Command Trac [DHN] ..... Fig. 231-210

#### Gear Train

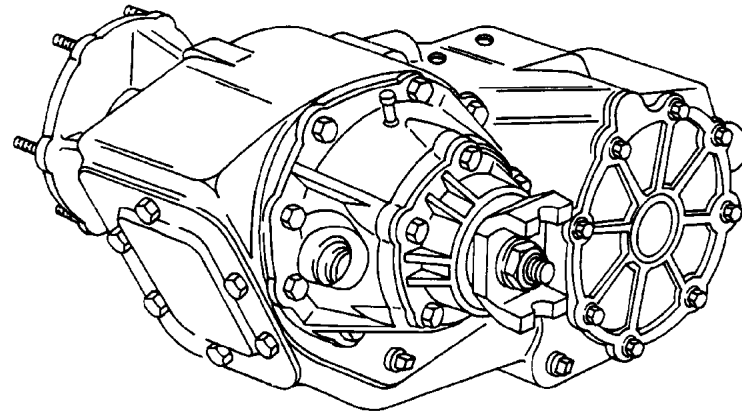
Gear Train, Command Trac [DHN] ..... Fig. 231-410

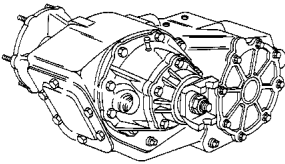
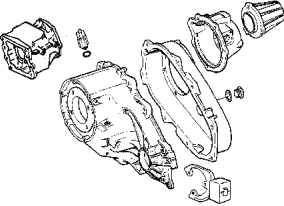
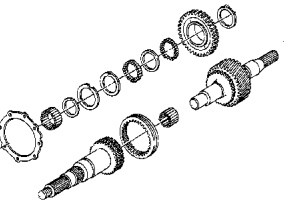
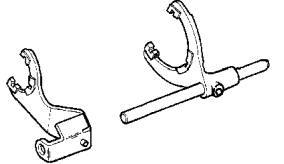

#### Fork and Rails

Forks & Rails, Command Trac [DHN] ..... Fig. 231-910

#### Gearshift Controls

Gearshift Controls, Command Trac [DHN] ..... Fig. 231-1210



<p><b>231-100</b> Transfer Case Assembly</p> 	<p><b>231-200</b> Case and Related Parts</p> 	<p><b>231-400</b> Gear Train</p> 	<p><b>231-900</b> Fork and Rails</p> 
<p><b>231-1200</b> Gearshift Controls</p> 			

**Command Trac Transfer Case [DHN]  
Figure 231-110**

ITEM	PART NUMBER	QTY	LINE	SERIES	BODY	ENGINE	TRANS	TRIM	DESCRIPTION
------	-------------	-----	------	--------	------	--------	-------	------	-------------

NOTE; Sales Code

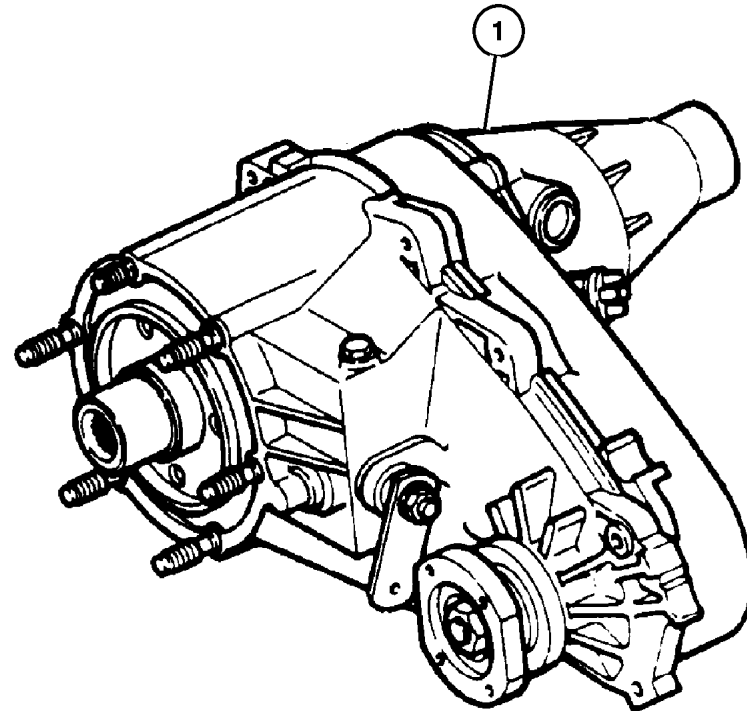
[DDD] = 5 Speed Heavy Duty Manual Transmission

[DDK]= 5 Speed Heavy Duty Manual Transmission

[DG0]=All Automatic Transmissions

1 TRANSFER CASE, NV231

52105 886AC	1						DDK, DG0		
52105 887AC	1						DDD		



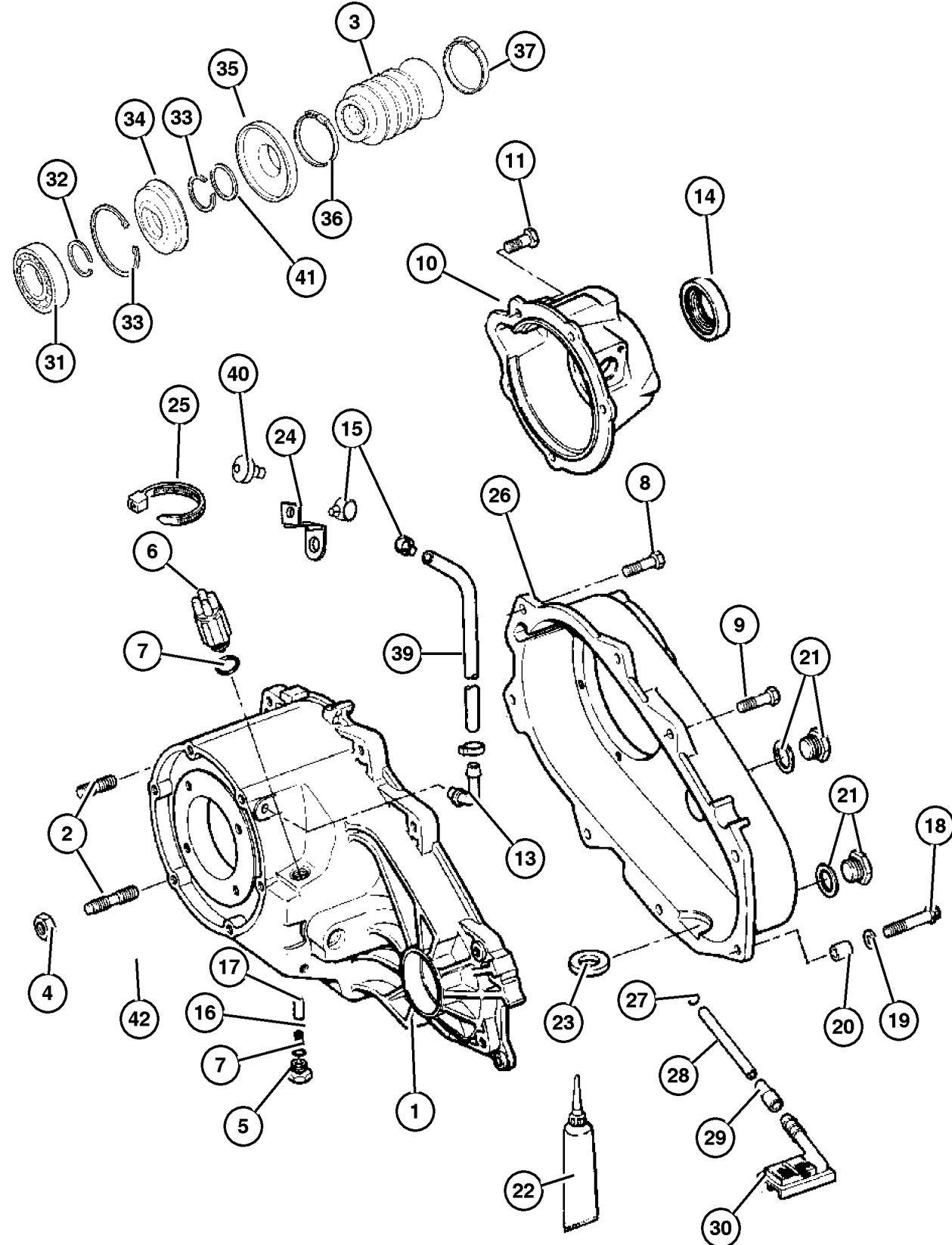
**JEEP WRANGLER (TJ)**

SERIES	LINE	BODY	ENGINE	TRANSMISSION
H = Sport	J = Wrangler 4WD	77 = 93.4 WB	ED1, ED0 = 2.4L DOHC	DGG, DGD = 32RH 3 Spd. Auto.
L = SE	U = Wrangler 4WD (RHD)		ERH = 4.0L Power Tech	DDD = 5 Speed HD Manual
M = X				DG0 = Auto. Trans.
P = Sahara				DBB = Manual Trans.
S = Rubicon				DDK = 5 Speed Manual

AR = Use as required - = Non illustrated part # = New this model year

January 6, 2004

Case & Related Parts, Command Trac [DHN]  
Figure 231-210



ITEM	PART NUMBER	QTY	LINE	SERIES	BODY	ENGINE	TRANS	TRIM	DESCRIPTION
------	-------------	-----	------	--------	------	--------	-------	------	-------------

NOTE; Sales Code

[DDD] = 5 Speed Heavy Duty Manual Transmission

[DDK]= 5 Speed Heavy Duty Manual Transmission

[ED0]=All 2.2,2.4,2.5,L 4 Cylinder Gas Engines

[ER0]=All 4.0L 6 Cylinder Gas Engines

1	4798 111	1					DDD		CASE, Transfer Front
		1					DDK, DG0		
2	4167 922	6					DDK, DG0		STUD, Tranmission Case
		6					DDD		
3	5017 825AA	1					DDD		BOOT, Driveshaft
		1					DDK, DG0		
4	J400 6681	6				ER0			NUT AND CONED WASHER, Hex, .375-24
5	4886 473AA	1					DDD		SCREW
		1					DDK, DG0		
6	J813 4473	1					DDD		SWITCH, Transfer Case Mode
		1					DDK, DG0		
7	4338 956	1					DDK, DG0		SEAL, Vacuum Switch
		1					DDK, DG0		
8	4210 617	1					DDK, DG0		BOLT, Transfer Case
		1					DDD		
9	J813 0979	1					DDD		BOLT, Twelve Point Head, M10x1. 5x48
		1					DDK, DG0		
10									RETAINER, Transfer Case Rear

JEEP WRANGLER (TJ)

SERIES

H = Sport

L = SE

M = X

P = Sahara

S = Rubicon

LINE

J = Wrangler 4WD

U = Wrangler 4WD (RHD)

BODY

77 = 93.4 WB

ENGINE

ED1, ED0 = 2.4L DOHC

ERH = 4.0L Power Tech

TRANSMISSION

DGG, DGD = 32RH 3 Spd.

Auto.

DDD = 5 Speed HD Manual

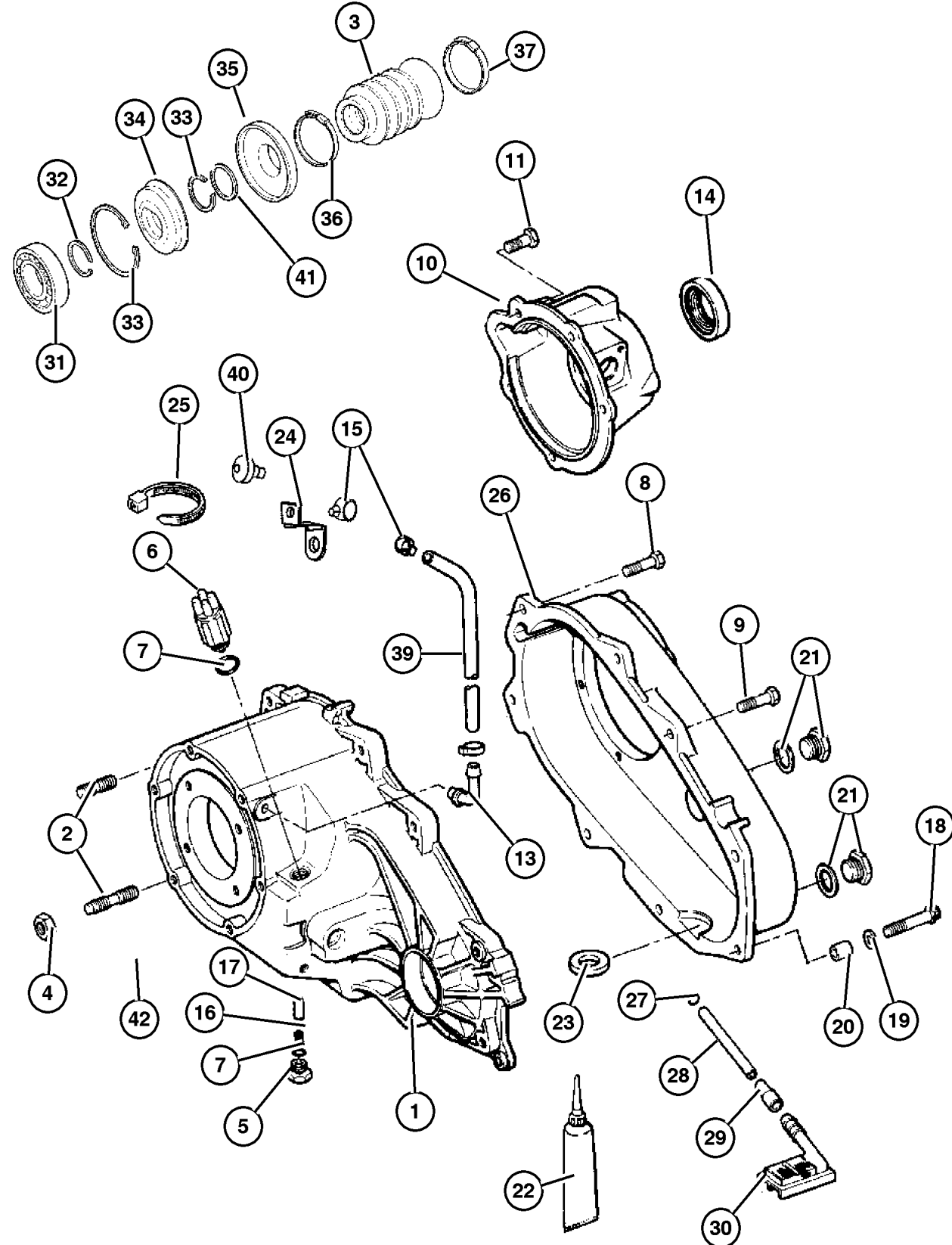
DG0 = Auto. Trans.

DDK = 5 Speed Manual

AR = Use as required - = Non illustrated part # = New this model year

January 6, 2004

Case & Related Parts, Command Trac [DHN]  
Figure 231-210



ITEM	PART NUMBER	QTY	LINE	SERIES	BODY	ENGINE	TRANS	TRIM	DESCRIPTION
	5017 477AA	1					DDD		
11	6501 371	5					DDK, DG0		BOLT, Retainer
-12	5211 8181	1					DDK, DG0 DDD		CLIP
13	4796 910	1					DDK, DDD		VENT, Transfer Case
14	4798 117	1					DDD		SEAL, Output Shaft
15	6502 081	1					DDK, DG0		CLAMP, Oil Cooler Line, Transfer Case Vent
16	4638 497	1					DDD DDK, DG0		SPRING, Shift Detent
17	5300 8217	1					DDD DDK, DG0		PLUNGER
18	4210 614	2					DDD DDK, DG0		BOLT, Hex Flange Head
19	4210 983	2					DDD DDK, DG0		WASHER, Flat
20	4116 310	2					DDD DDK, DG0		DOWEL, Transfer Case
21									PLUG, Oil Fill

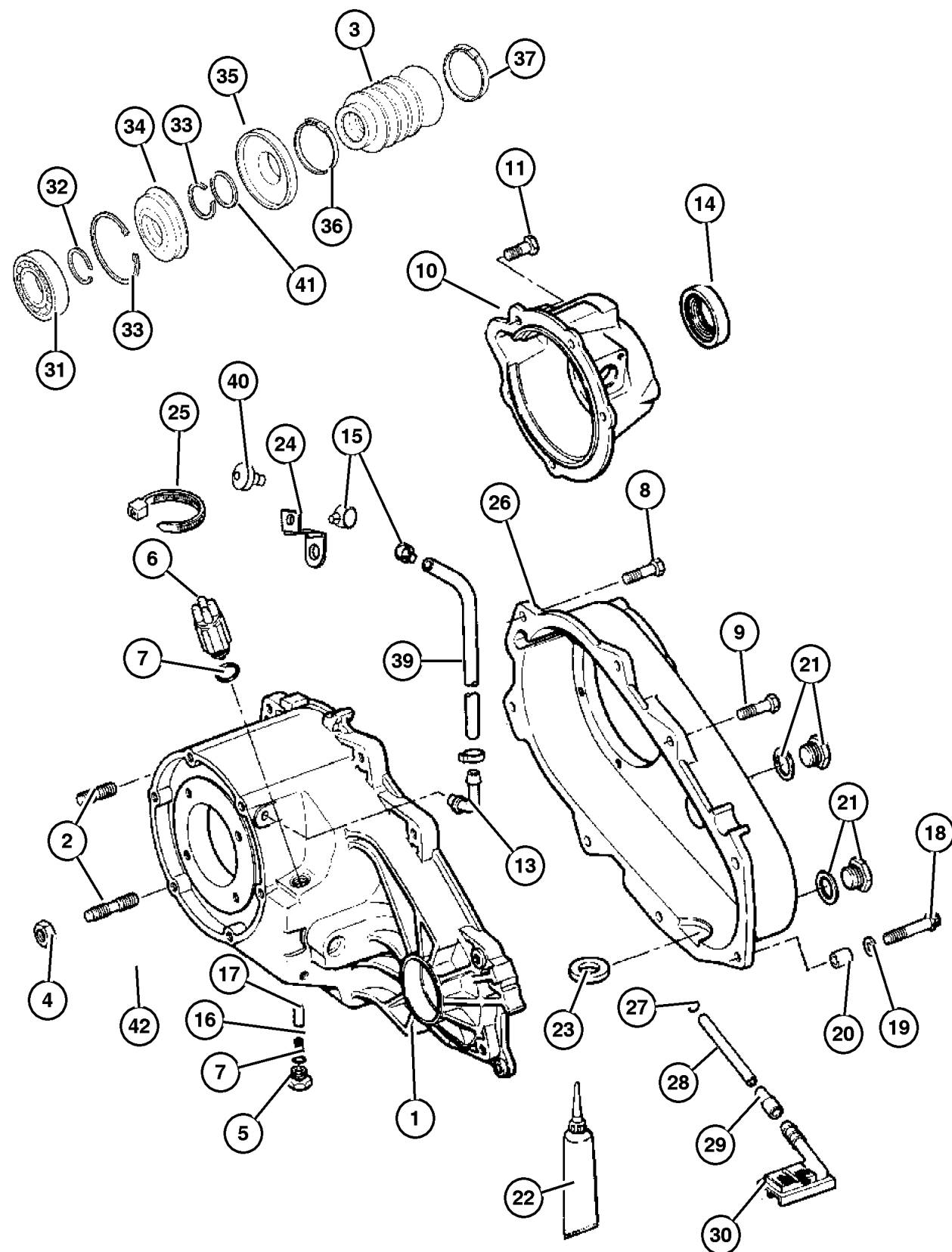
JEEP WRANGLER (TJ)

SERIES	LINE	BODY	ENGINE	TRANSMISSION
H = Sport	J = Wrangler 4WD	77 = 93.4 WB	ED1, ED0 = 2.4L DOHC	DGG, DGD = 32RH 3 Spd. Auto.
L = SE	U = Wrangler 4WD (RHD)		ERH = 4.0L Power Tech	DDD = 5 Speed HD Manual
M = X				DG0 = Auto. Trans.
P = Sahara				DBB = Manual Trans.
S = Rubicon				DDK = 5 Speed Manual

AR = Use as required - = Non illustrated part # = New this model year

January 6, 2004

Case & Related Parts, Command Trac [DHN]  
Figure 231-210



ITEM	PART NUMBER	QTY	LINE	SERIES	BODY	ENGINE	TRANS	TRIM	DESCRIPTION
	4856 641	1					DDK, DG0		
22		1					DDD		SEALANT, RTV
	5010 884AA	1					DDD		
23		1					DDK, DG0		MAGNET, Transmission
	3681 601	1					DDD		
24	5209 8522	1				ED0			BRACKET, Tube
25	5073 039AA	1							STRAP, Tie, Vent Tube
26		1							CASE, Transfer Rear
	4886 222AA	1					DDD DDK, DG0		
27		1							SEAL, Oil
	4338 942	1					DDD DDK, DG0		
28		1							TUBE, Oil Pickup
	4338 941	1					DDD DDK, DG0		
29		1							CONNECTOR, Oil Tube Pickup
	4338 944	1					DDD DDK, DG0		
30		1							FILTER, Transfer Case Oil
	4338 943	1					DDD DDK, DG0		
31		1							BEARING
	4338 892	1					DDD DDK, DG0		
32		1							SNAP RING
	4798 116	1					DDD DDK, DG0		
33		1							SNAP RING

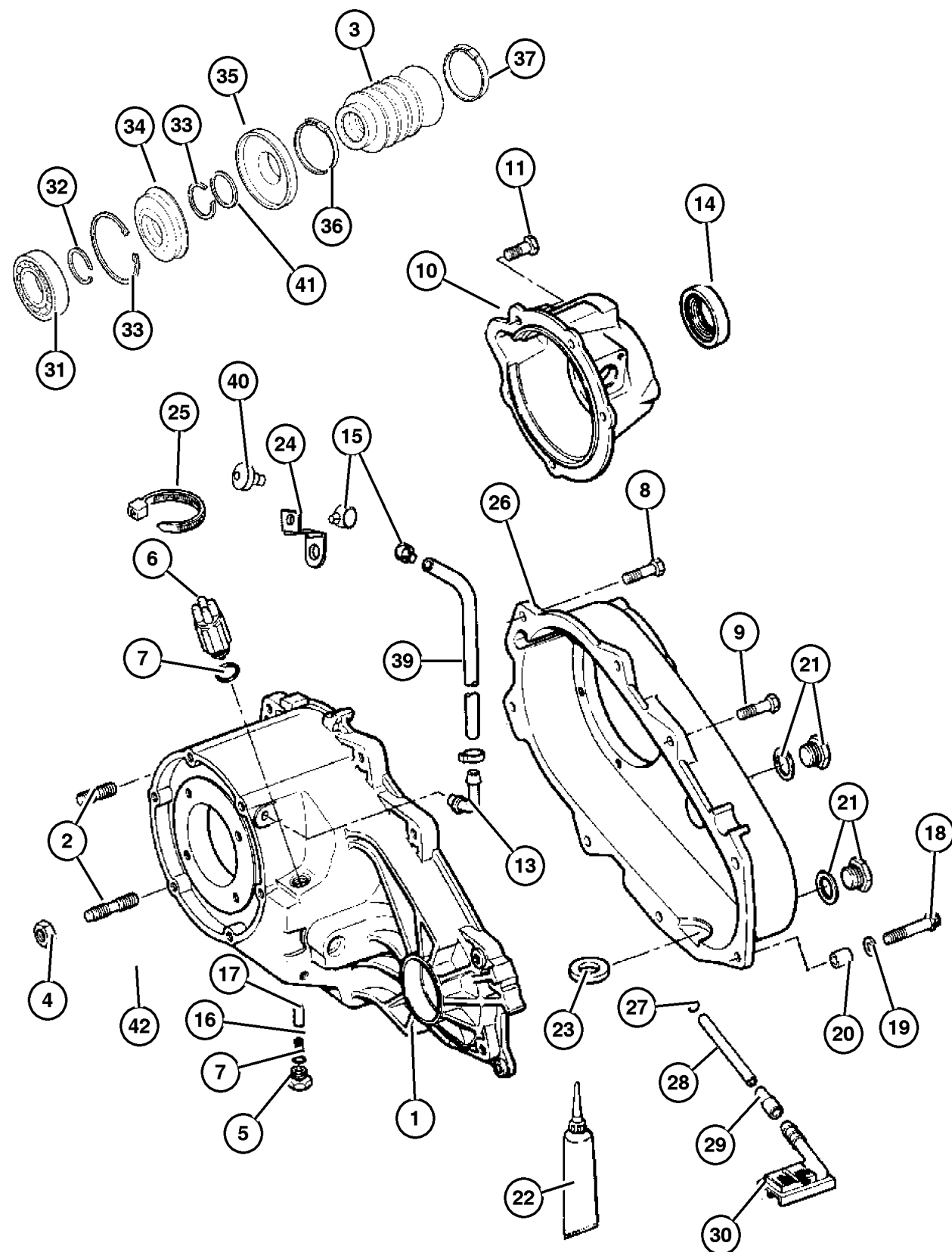
JEEP WRANGLER (TJ)

SERIES	LINE	BODY	ENGINE	TRANSMISSION
H = Sport	J = Wrangler 4WD	77 = 93.4 WB	ED1, ED0 = 2.4L DOHC	DGG, DGD = 32RH 3 Spd. Auto.
L = SE	U = Wrangler 4WD (RHD)		ERH = 4.0L Power Tech	DDD = 5 Speed HD Manual
M = X				DG0 = Auto. Trans.
P = Sahara				DBB = Manual Trans.
S = Rubicon				DDK = 5 Speed Manual

AR = Use as required - = Non illustrated part # = New this model year

January 6, 2004

Case & Related Parts, Command Trac [DHN]  
Figure 231-210



ITEM	PART NUMBER	QTY	LINE	SERIES	BODY	ENGINE	TRANS	TRIM	DESCRIPTION
	J813 4488	1					DDD		
		1					DDK, DG0		SEAL, Output Shaft
34	4798 117	1					DDD		
		1					DDK, DG0		
35	5016 615AA	1					DDK, DG0		SLINGER, Oil
36	4798 122	1					DDD		CLAMP, Boot
		1					DDK, DG0		
37	5017 823AA	1					DDD		CLAMP, Boot
		1					DDK, DG0		
-38	5017 819AA	1					DDD		DAMPER, Transfer Case
39	52105 882AA	1							VENT, Transfer Case, Transfer Case Vent Hose To Breather Tube
40	4213 328	1							VENT, Cap
41	S243 6163	1					DDD		WASHER, Flat
		1					DDK, DG0		
42	6500 318	4					DDK, DG0		BOLT
		4					DDD		

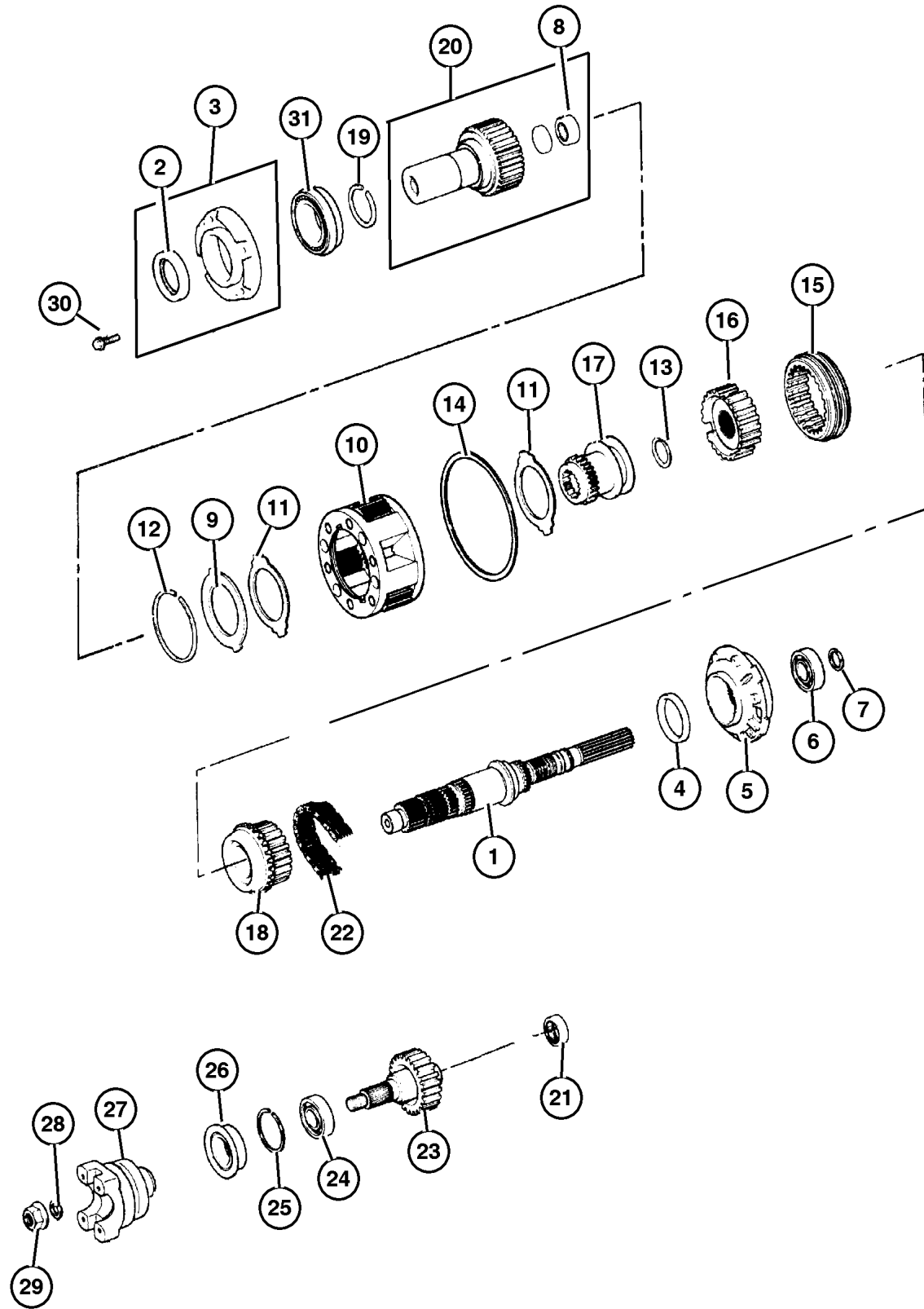
JEEP WRANGLER (TJ)

SERIES	LINE	BODY	ENGINE	TRANSMISSION
H = Sport	J = Wrangler 4WD	77 = 93.4 WB	ED1, ED0 = 2.4L DOHC	DGG, DGD = 32RH 3 Spd. Auto.
L = SE	U = Wrangler 4WD (RHD)		ERH = 4.0L Power Tech	DDD = 5 Speed HD Manual
M = X				DG0 = Auto. Trans.
P = Sahara				DBB = Manual Trans.
S = Rubicon				DDK = 5 Speed Manual

AR = Use as required - = Non illustrated part # = New this model year

January 6, 2004

**Gear Train, Command Trac [DHN]  
Figure 231-410**



ITEM	PART NUMBER	QTY	LINE	SERIES	BODY	ENGINE	TRANS	TRIM	DESCRIPTION
NOTE; Sales Code									
[DDD] = 5 Speed Heavy Duty Manual Transmission									
[DDK]= 5 Speed Heavy Duty Manual Transmission									
1	5017 631AA	1					DDK,		MAINSHAFT, Transfer Case
2	5086 384AA	1					DG0		SEAL, Input Gear
	5019 020AA	1					DDK,		
3		1					DG0		EXTENSION, Transfer Case
	4338 973	1					DDK,		
4		1					DG0		SEAL, Main Shaft
	4210 603	1					DDK,		
5		1					DG0		PUMP, Transfer Case Oil
	4338 936	1					DDK,		
6		1					DG0		BEARING
	4338 892	1					DDK,		
7		1					DG0		SNAP RING
	J813 4488	1					DDK,		
8		1					DG0		BEARING, Input Shaft
	8350 3507	1					DDK,		
9		1					DG0		RING
	4338 909	1					DDK,		
10		1					DG0		PLANETARY, Transfer Case
	4796 903AB	1					DDK,		

**JEEP WRANGLER (TJ)**

SERIES  
H = Sport  
L = SE  
M = X  
P = Sahara  
S = Rubicon

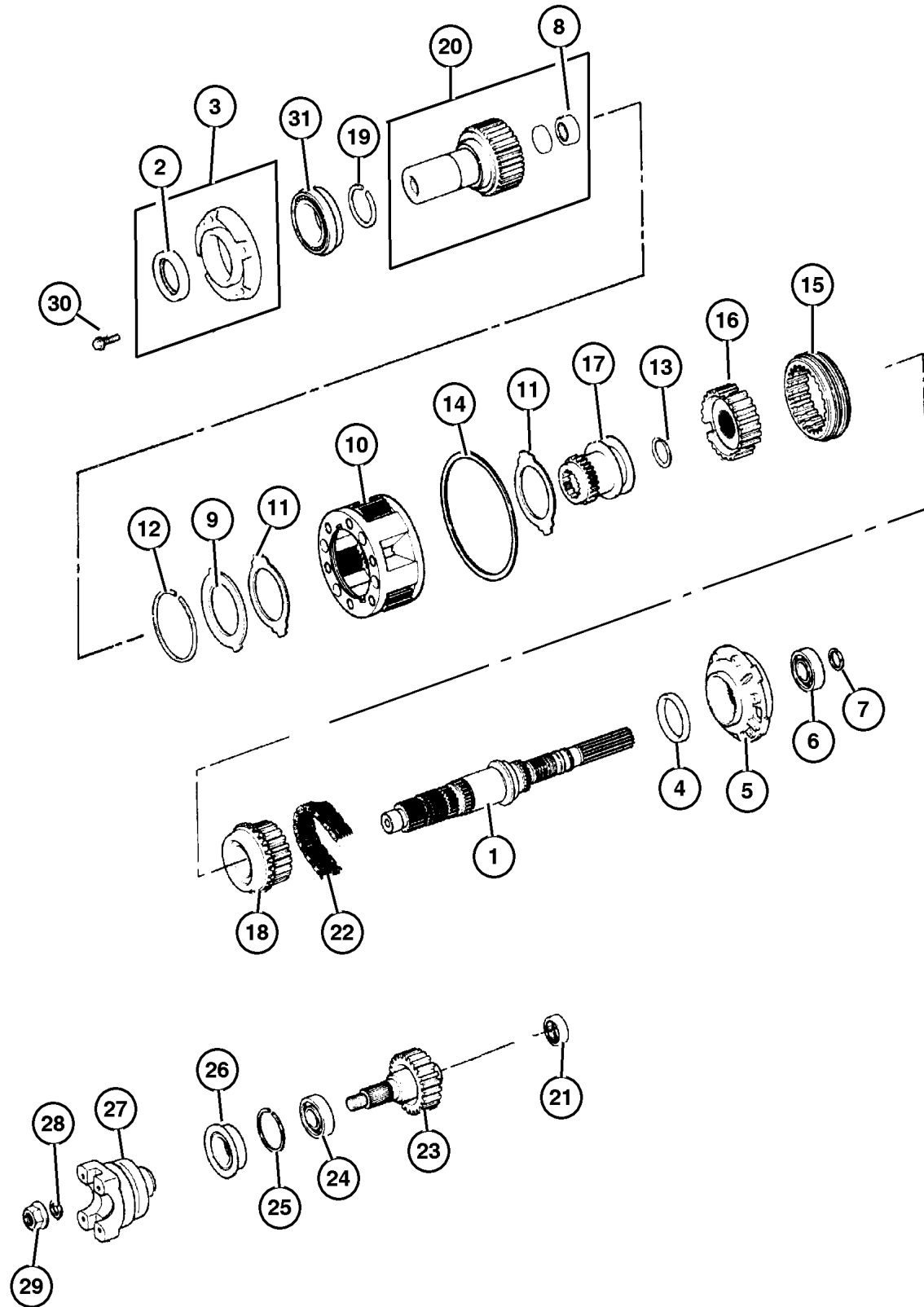
LINE  
J = Wrangler 4WD  
U = Wrangler 4WD (RHD)

BODY  
77 = 93.4 WB

ENGINE  
ED1, ED0 = 2.4L DOHC  
ERH = 4.0L Power Tech

TRANSMISSION  
DGG, DGD = 32RH 3 Spd. Auto.  
DDD = 5 Speed HD Manual  
DG0 = Auto. Trans.  
DBB = Manual Trans.  
DDK = 5 Speed Manual

**Gear Train, Command Trac [DHN]  
Figure 231-410**



ITEM	PART NUMBER	QTY	LINE	SERIES	BODY	ENGINE	TRANS	TRIM	DESCRIPTION
		1					DDK, DG0		
11	4338 908	1					DDK, DG0		THRUST WASHER, Planetary Carrier
12	4338 910	1					DDD		SNAP RING
13	4338 933	1					DDD		SNAP RING
14	4219 065	1					DDK, DG0		SNAP RING, Annulus Gear
15	4796 909	1					DDD		SLEEVE, Mode Synchronizer
16	4741 240	1					DDK, DG0		HUB, Synchronizer Mode
17	4897 955AA	1					DDD		SLEEVE, Range Fork
18	4796 908	1					DDK, DG0		SPROCKET, Transfer Case
19	3821 558	1					DDD		SNAP RING
20	4897 953AA	1					DDK, DG0		GEAR, Input

**JEEP WRANGLER (TJ)**

SERIES  
H = Sport  
L = SE  
M = X  
P = Sahara  
S = Rubicon

LINE  
J = Wrangler 4WD  
U = Wrangler 4WD (RHD)

BODY  
77 = 93.4 WB

ENGINE  
ED1, ED0 = 2.4L DOHC  
ERH = 4.0L Power Tech

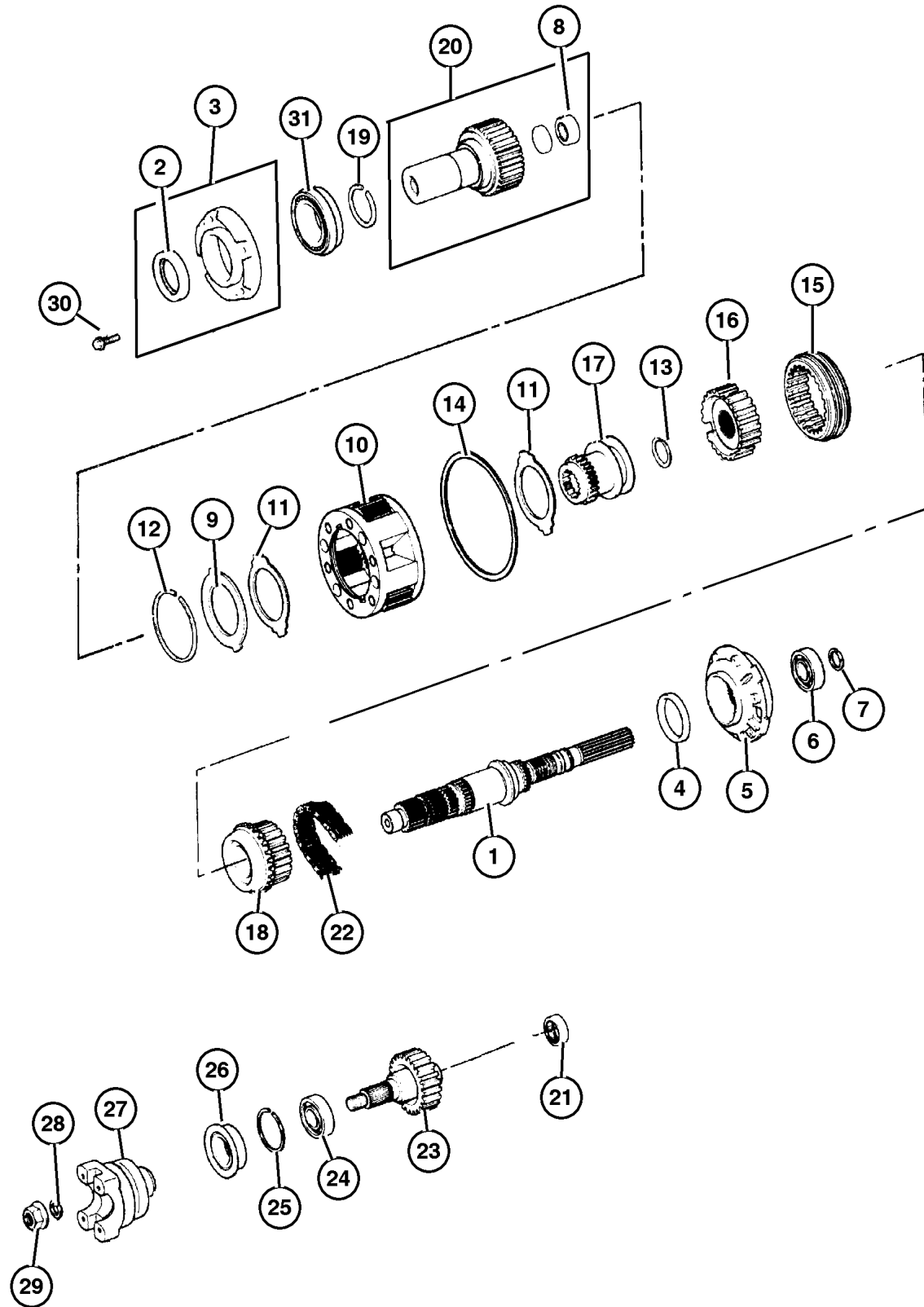
TRANSMISSION  
DGG, DGD = 32RH 3 Spd. Auto.  
DDD = 5 Speed HD Manual  
DG0 = Auto. Trans.  
DBB = Manual Trans.  
DDK = 5 Speed Manual

AR = Use as required - = Non illustrated part # = New this model year

January 6, 2004



**Gear Train, Command Trac [DHN]  
Figure 231-410**



ITEM	PART NUMBER	QTY	LINE	SERIES	BODY	ENGINE	TRANS	TRIM	DESCRIPTION
		1					DDK,		
21	4269 189	1					DG0		BEARING, Output Shaft
22	4338 935	1					DDD DDK,		CHAIN, Transfer Case
23	4338 934	1					DG0		OUTPUT SHAFT, Transfer Case
24	4338 892	1					DDD DDK,		BEARING
25	4338 894	1					DG0		SNAP RING, Bearing
26	4798 112	1					DDD DDK,		SEAL
27	4798 120	1					DG0		YOKE, Transfer Case Output
28	4446 487	1					DDD DDK,		WASHER, Flat
29	4446 488	1					DG0		NUT, Hex Flange
30	6500 318	4					DDD		BOLT

**JEEP WRANGLER (TJ)**

SERIES  
H = Sport  
L = SE  
M = X  
P = Sahara  
S = Rubicon

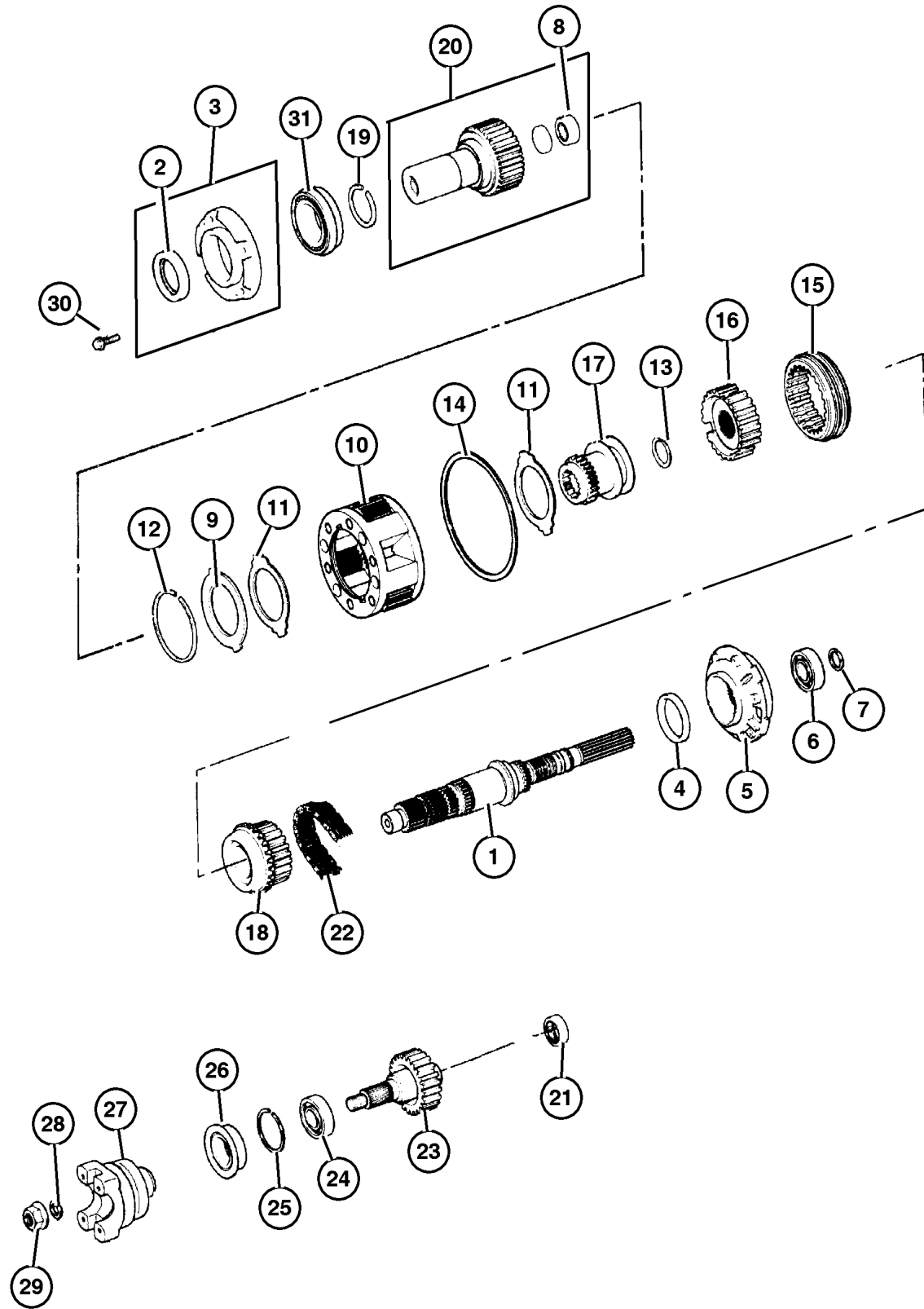
LINE  
J = Wrangler 4WD  
U = Wrangler 4WD (RHD)

BODY  
77 = 93.4 WB

ENGINE  
ED1, ED0 = 2.4L DOHC  
ERH = 4.0L Power Tech

TRANSMISSION  
DGG, DGD = 32RH 3 Spd.  
Auto.  
DDD = 5 Speed HD Manual  
DG0 = Auto. Trans.  
DBB = Manual Trans.  
DDK = 5 Speed Manual

**Gear Train, Command Trac [DHN]  
Figure 231-410**



ITEM	PART NUMBER	QTY	LINE	SERIES	BODY	ENGINE	TRANS	TRIM	DESCRIPTION
		4					DDK,		
							DG0		
31	4746 155	1					DDD		BEARING, Input Gear
		1					DDK,		
							DG0		

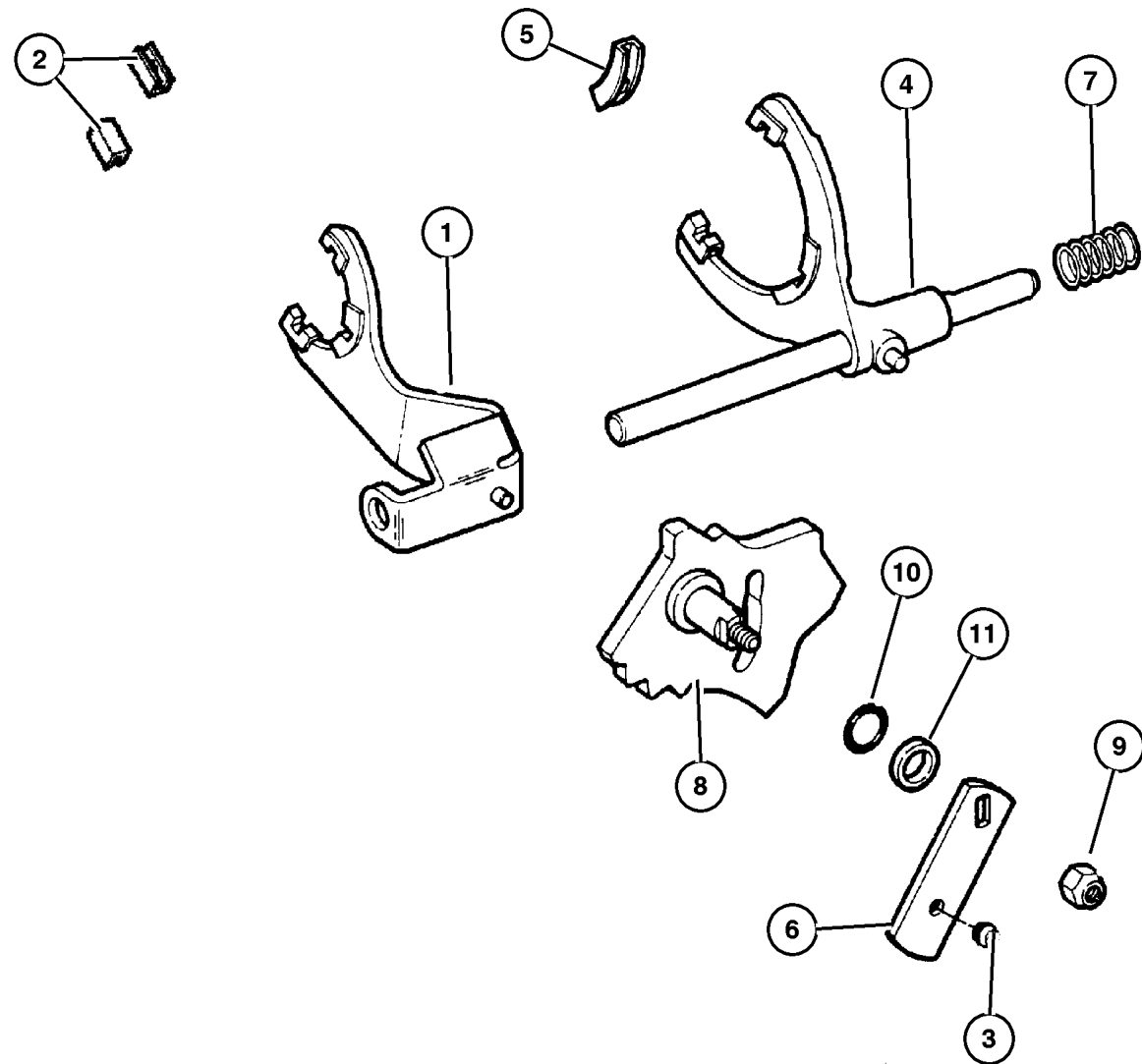
**JEEP WRANGLER (TJ)**

SERIES	LINE	BODY	ENGINE	TRANSMISSION
H = Sport	J = Wrangler 4WD	77 = 93.4 WB	ED1, ED0 = 2.4L DOHC	DGG, DGD = 32RH 3 Spd. Auto.
L = SE	U = Wrangler 4WD (RHD)		ERH = 4.0L Power Tech	DDD = 5 Speed HD Manual
M = X				DG0 = Auto. Trans.
P = Sahara				DBB = Manual Trans.
S = Rubicon				DDK = 5 Speed Manual

AR = Use as required - = Non illustrated part # = New this model year

January 6, 2004

Forks & Rails, Command Trac [DHN]  
Figure 231-910



ITEM	PART NUMBER	QTY	LINE	SERIES	BODY	ENGINE	TRANS	TRIM	DESCRIPTION
NOTE; Sales Code									
[DDD] = 5 Speed Heavy Duty Manual Transmission									
[DDK]= 5 Speed Heavy Duty Manual Transmission									
[DG0]=All Automatic Transmissions									
1									FORK, Range
	4798 136	1					DDD		
		1					DDK,		
							DG0		
2									PAD, Shift Fork
	4167 969	2					DDD		
		2					DDK,		
							DG0		
3									BUSHING, Shift Lever
	5300 4810	1					DDK,		
		1					DG0		
							DDD		
4									FORK, Transfer Case Mode Shift
	4741 237	1					DDD		
		1					DDK,		
							DG0		
5									PAD, Shift Fork
	4219 073	1					DDD		
		1					DDK,		
							DG0		
6									LEVER, Selector
	5086 382AB	1					DDD		
		1					DDK,		
							DG0		
7									SPRING, Mode Shift Rail
	4338 925	1					DDD		
		1					DDK,		
							DG0		
8									SECTOR, Transfer Case
	4638 845	1					DDD		
		1					DDK,		
							DG0		
9									NUT
	6030 310	1					DDD		
		1					DDK,		
							DG0		
10									SEAL, O-Ring

JEEP WRANGLER (TJ)

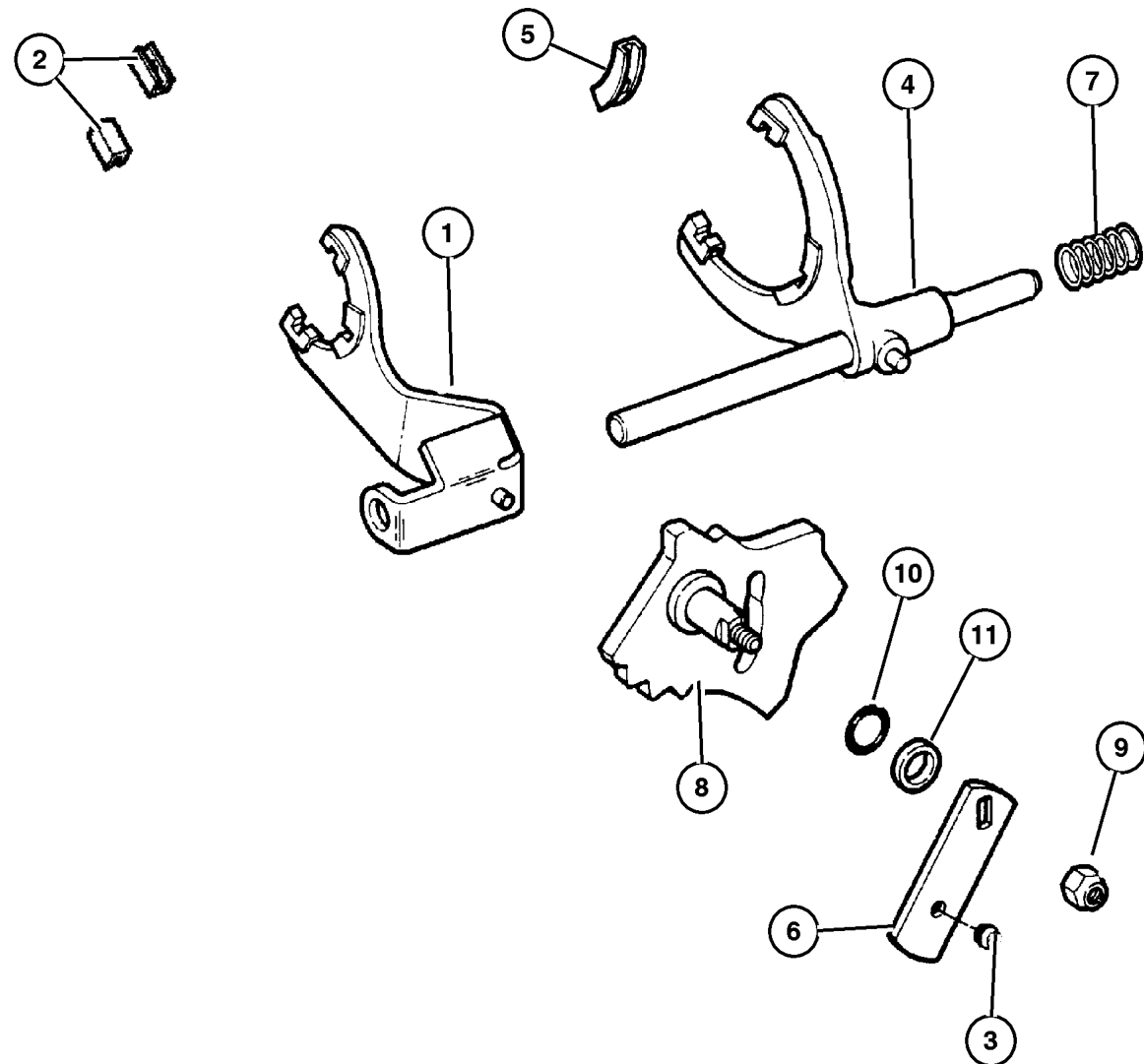
SERIES	LINE	BODY	ENGINE	TRANSMISSION
H = Sport	J = Wrangler 4WD	77 = 93.4 WB	ED1, ED0 = 2.4L DOHC	DGG, DGD = 32RH 3 Spd. Auto.
L = SE	U = Wrangler 4WD (RHD)		ERH = 4.0L Power Tech	DDD = 5 Speed HD Manual
M = X				DG0 = Auto. Trans.
P = Sahara				DBB = Manual Trans.
S = Rubicon				DDK = 5 Speed Manual

AR = Use as required - = Non illustrated part # = New this model year

January 6, 2004

Forks & Rails, Command Trac [DHN]  
Figure 231-910

ITEM	PART NUMBER	QTY	LINE	SERIES	BODY	ENGINE	TRANS	TRIM	DESCRIPTION
	4167 963	1					DDD		
		1					DDK, DG0		
11	4167 964	1					DDK, DG0		SEAL, O-Ring
		1					DDD		

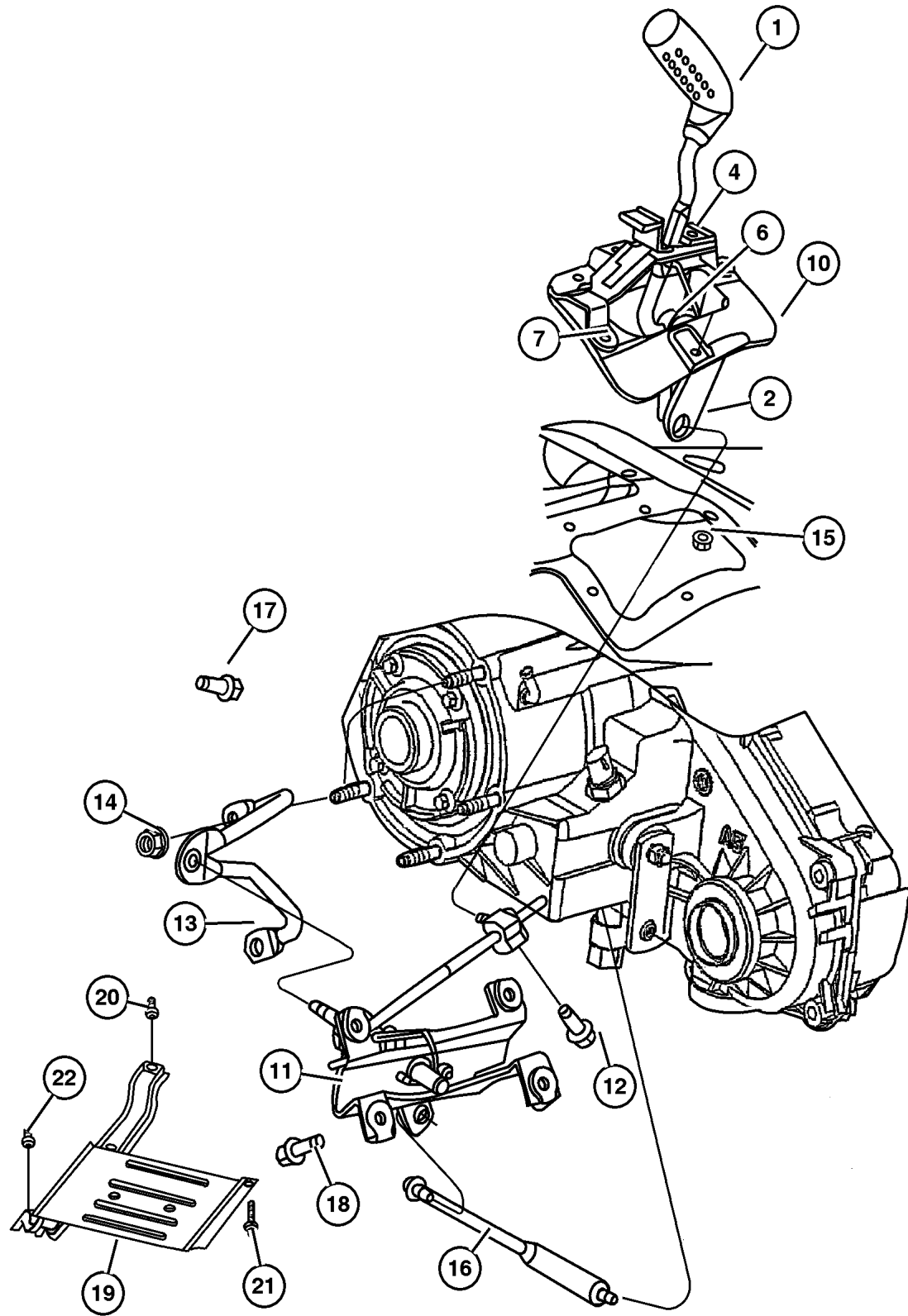


JEEP WRANGLER (TJ)  
 SERIES                      LINE                      BODY                      ENGINE                      TRANSMISSION  
 H = Sport                      J = Wrangler 4WD                      77 = 93.4 WB                      ED1, ED0 = 2.4L DOHC                      DGG, DGD = 32RH 3 Spd.  
 L = SE                              U = Wrangler 4WD (RHD)    ERH = 4.0L Power Tech                      Auto.  
 M = X  
 P = Sahara  
 S = Rubicon  
 DDD = 5 Speed HD Manual  
 DG0 = Auto. Trans.  
 DBB = Manual Trans.  
 DDK = 5 Speed Manual

AR = Use as required   - = Non illustrated part   # = New this model year

January 6, 2004

**Gearshift Controls, Command Trac [DHN]  
Figure 231-1210**



ITEM	PART NUMBER	QTY	LINE	SERIES	BODY	ENGINE	TRANS	TRIM	DESCRIPTION
------	-------------	-----	------	--------	------	--------	-------	------	-------------

NOTE: Sales Codes:

- [DBB]=All Manual Transmissions
- [DG0]=All Automatic Transmissions
- [DG6]= 4 Speed Automatic Transmission [42RLE]
- [ED0]=All 2.2,2.4,2.5 L 4 Cylinder Gas Engines
- [EP0]=All 2.5L 4 Cylinder Engines
- [ER0]=All 4.0L 6 Cylinder Engines

1									SHIFTER, Transfer Case
	52104 080AF	1	J						
	52104 081AF	1	U						
2									LEVER, Transfer Case Shifter
	53005 150AB	1	J						
		1	U						
-3									GROMMET
	3575 333	1	J						
		1	U						
4									FASTENER, Push On
	5207 7671	1	J						
		1	U						
-5									STRAP, Retaining
	J369 3058	1	U						
		1	J						
6									PIN, Cotter
	J400 6723	1	J						
		1	U						
7									NUT, Push, M5
	6100 839	2	J						
		2	U						
-8									SNAP RING
	1150 5389	1	J						
		1	U						
-9									BUSHING, Shift Control
	5300 0639	2	J						
		2	U						
10									HOUSING, Shift Lever
	5300 1284	1	J						
		1	U						
11	52109 580AE	1							BRACKET, Torque Shaft
12	J941 9683	1							BOLT, Hex Flange Head, .312-18x.625
13									ROD, Torque Shaft

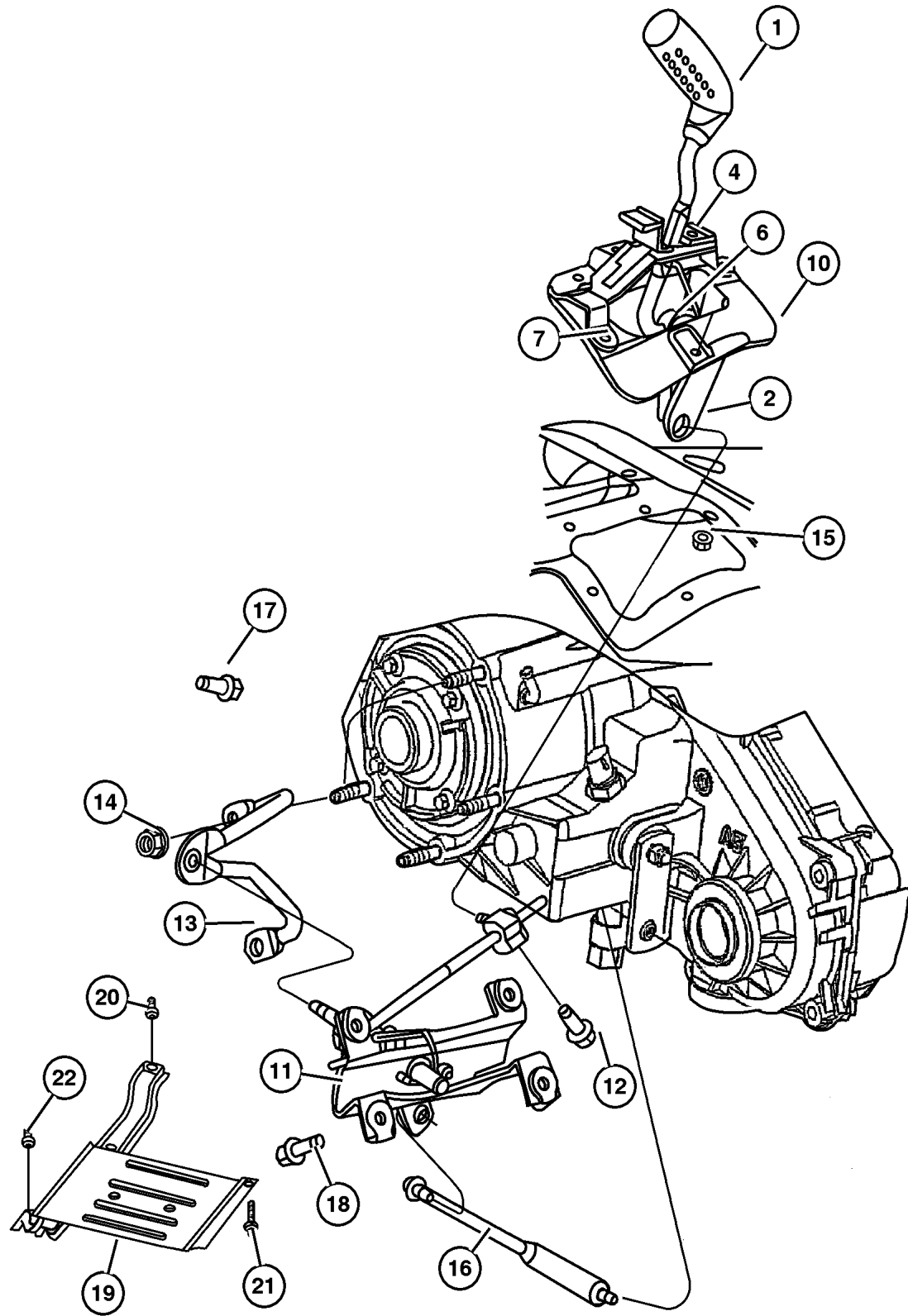
**JEEP WRANGLER (TJ)**

SERIES	LINE	BODY	ENGINE	TRANSMISSION
H = Sport	J = Wrangler 4WD	77 = 93.4 WB	ED1, ED0 = 2.4L DOHC	DGG, DGD = 32RH 3 Spd. Auto.
L = SE	U = Wrangler 4WD (RHD)		ERH = 4.0L Power Tech	DDD = 5 Speed HD Manual
M = X				DG0 = Auto. Trans.
P = Sahara				DBB = Manual Trans.
S = Rubicon				DDK = 5 Speed Manual

AR = Use as required - = Non illustrated part # = New this model year

January 6, 2004

**Gearshift Controls, Command Trac [DHN]  
Figure 231-1210**



ITEM	PART NUMBER	QTY	LINE	SERIES	BODY	ENGINE	TRANS	TRIM	DESCRIPTION
	52109 743AA	1				ED0	DBB		
	52109 744AA	1				ED0	DG6		
	52109 745AA	1				ER0			
14									NUT AND CONED WASHER, Hex, .375-24
	J400 6681	6				ED0	DD0		
		6				ED0	DG0		
		6				ER0			
15	6504 601	5							NUT, Rivet Round, M5x0.80x11.09
16									ROD, Gear Shift Control, Transfer Case
	52078 904AC	1				ER0			
	52104 918AD	1				ED0	DBB		
	52109 918AB	1				ED0	DG0		
17	6101 503	2				ED0	DG6		SCREW AND WASHER, Hex Head, M10x1.5x25
18	6503 811	4							BOLT, Hex Head, M6x1.00x20.00
19	52059 506AB	1					DG6		SKID PLATE, Front
20	6504 825AA	2					DG6		SCREW
21	6503 692	2				ED0			SCREW, M8-1.25
22	6506 629AA	2					DG6		NUT, Rivet

**JEEP WRANGLER (TJ)**

SERIES	LINE	BODY	ENGINE	TRANSMISSION
H = Sport	J = Wrangler 4WD	77 = 93.4 WB	ED1, ED0 = 2.4L DOHC	DGG, DGD = 32RH 3 Spd. Auto.
L = SE	U = Wrangler 4WD (RHD)		ERH = 4.0L Power Tech	DDD = 5 Speed HD Manual
M = X				DG0 = Auto. Trans.
P = Sahara				DBB = Manual Trans.
S = Rubicon				DDK = 5 Speed Manual

AR = Use as required - = Non illustrated part # = New this model year

January 6, 2004

# Group – 241

## Transfer Case Model 241

### GROUP 241 - Transfer Case Model 241

Illustration Title

Group-Fig. No.

#### Transfer Case Assembly

Transfer Case [DHW] ..... Fig. 241-110

#### Case and Related Parts

Case Transfer & Related Parts [DHW] ..... Fig. 241-210

#### Gear Train

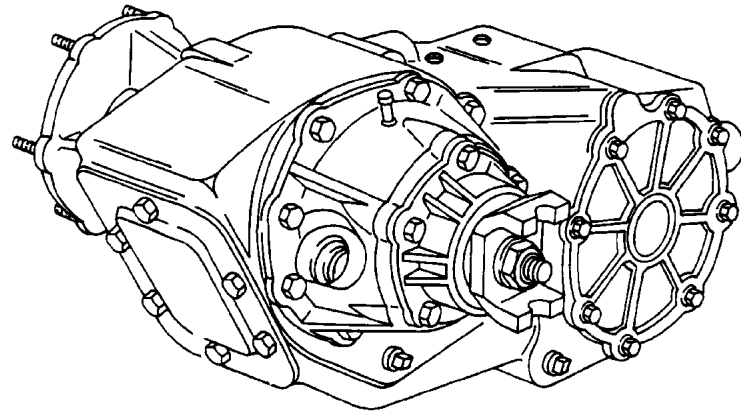
Gear Train [DHW] ..... Fig. 241-410

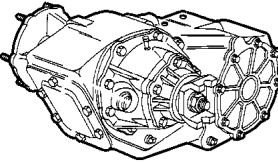
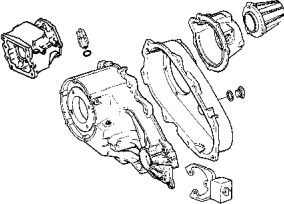
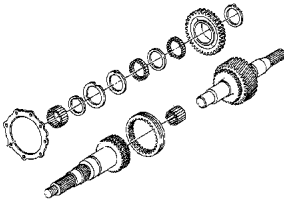
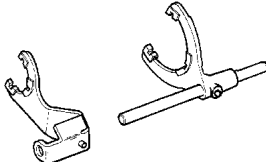

#### Fork and Rails

Forks [DHW] ..... Fig. 241-910

#### Gearshift Controls

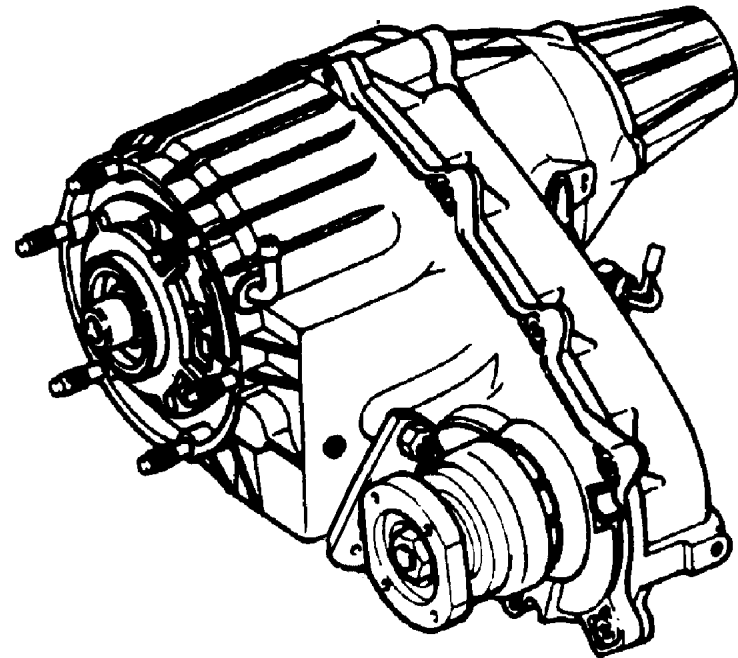
Controls [DHW] ..... Fig. 241-1210



<p><b>241-100</b> Transfer Case Assembly</p> 	<p><b>241-200</b> Case and Related Parts</p> 	<p><b>241-400</b> Gear Train</p> 	<p><b>241-900</b> Fork and Rails</p> 
<p><b>241-1200</b> Gearshift Controls</p> 			

Transfer Case [DHW]  
Figure 241-110

ITEM	PART NUMBER	QTY	LINE	SERIES	BODY	ENGINE	TRANS	TRIM	DESCRIPTION
-1	52111 013AD	1							TRANSFER CASE, NP241



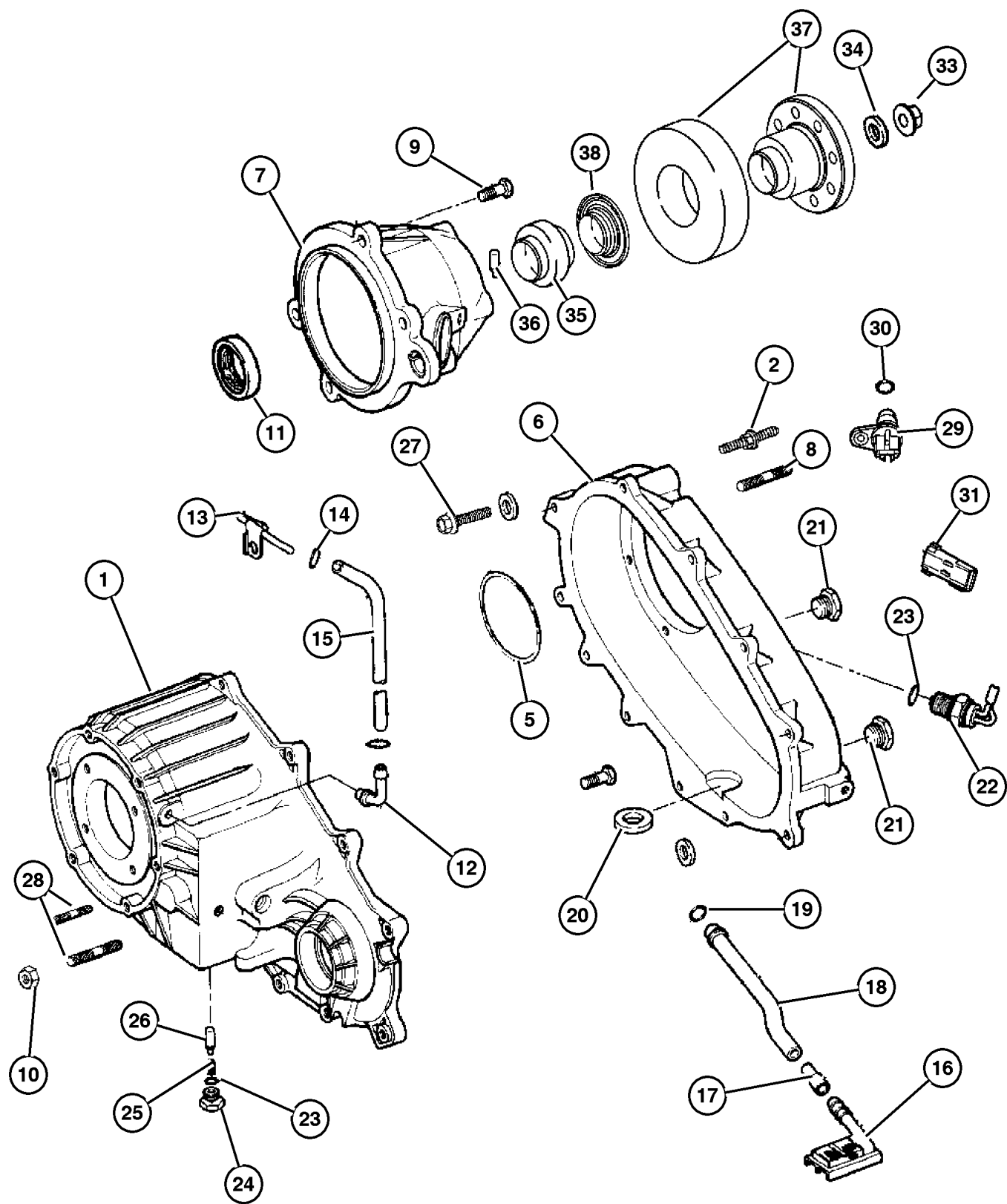
<b>JEEP WRANGLER (TJ)</b>				
SERIES	LINE	BODY	ENGINE	TRANSMISSION
H = Sport	J = Wrangler 4WD	77 = 93.4 WB	ED1, ED0 = 2.4L DOHC	DGG, DGD = 32RH 3 Spd. Auto.
L = SE	U = Wrangler 4WD (RHD)		ERH = 4.0L Power Tech	DDD = 5 Speed HD Manual
M = X				DG0 = Auto. Trans.
P = Sahara				DBB = Manual Trans.
S = Rubicon				DDK = 5 Speed Manual

AR = Use as required - = Non illustrated part # = New this model year

January 6, 2004



**Case Transfer & Related Parts [DHW]  
Figure 241-210**



ITEM	PART NUMBER	QTY	LINE	SERIES	BODY	ENGINE	TRANS	TRIM	DESCRIPTION
1	5093 577AA	1							CASE, Transfer Front
2	5080 859AA	1							BOLT, Hex Flange Head
-3	5093 592AA	1							RETAINER, Front
-4	6501 371	18							BOLT, Retainer
5	5093 595AA	1							PLANETARY, Transfer Case
6	5093 603AA	1							CASE, Transfer Rear
7	5093 606AA	1							RETAINER, Transfer Case Rear
8	5013 013AA	17							BOLT, Hex Flange Head
9	5101 858AA	7							BOLT, Retainer
10									NUT AND CONED WASHER, Hex, .375-24
	J400 6681	6				ED0	DD0		
		6				ED0	DG0		
		6				ER0			
11	5013 019AA	1							SEAL, Output Shaft
12	4796 910	1							VENT, Transfer Case
13	4213 328	1							VENT, Cap
14	6502 081	1							CLAMP, Oil Cooler Line
15	HFV00 516AB	1							HOSE, Fuel And Vapor, 25 Foot Roll 5/16"
16	5012 326AA	1							FILTER, Transfer Case Oil
17	5012 327AA	1							CONNECTOR, Oil Tube Pickup
18	5080 223AA	1							TUBE, Oil Pickup
19	5013 016AB	1							SEAL, Transfer Case
20	5080 218AA	1							MAGNET
21	4856 641	2							PLUG, Oil Fill
22	5083 138AA	1							SWITCH, Transfer Case, 5 Position
23	4338 956	1							SEAL, Vacuum Switch
24	4886 473AA	1							SCREW
25	5003 445AA	1							SPRING, Poppet Plunger
26	5003 444AA	1							PLUNGER
27	5222 757	4							DOWEL
28	4746 253	6							STUD
29	5033 202AB	1							SENSOR, Vehicle Speed
30	5093 612AA	1							SEAL
31	5093 611AA	1							BRACKET
-32	5101 858AA	1							BOLT, Retainer, Vehicle Speed Sensor
33	4167 924	1							NUT, Transfer Case Yoke
34	4210 973	1							WASHER, Transfer Case Yoke
35	5139 919AA	1							TONE RING, Sensor
36	4761 140	1							PIN, Mainshaft

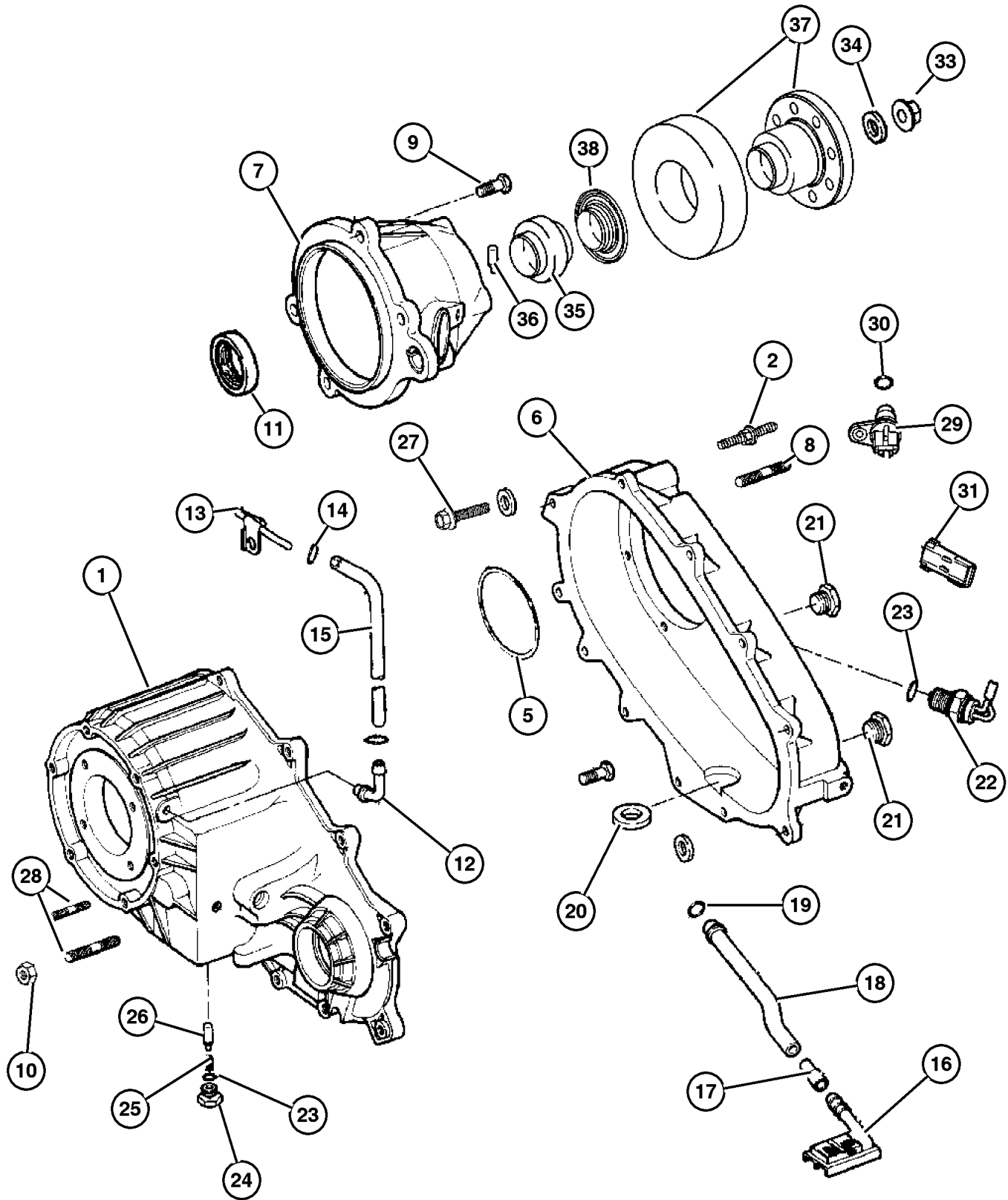
**JEEP WRANGLER (TJ)**

SERIES	LINE	BODY	ENGINE	TRANSMISSION
H = Sport	J = Wrangler 4WD	77 = 93.4 WB	ED1, ED0 = 2.4L DOHC	DGG, DGD = 32RH 3 Spd. Auto.
L = SE	U = Wrangler 4WD (RHD)		ERH = 4.0L Power Tech	DDD = 5 Speed HD Manual
M = X				DG0 = Auto. Trans.
P = Sahara				DBB = Manual Trans.
S = Rubicon				DDK = 5 Speed Manual

AR = Use as required - = Non illustrated part # = New this model year

January 6, 2004

Case Transfer & Related Parts [DHW]  
Figure 241-210



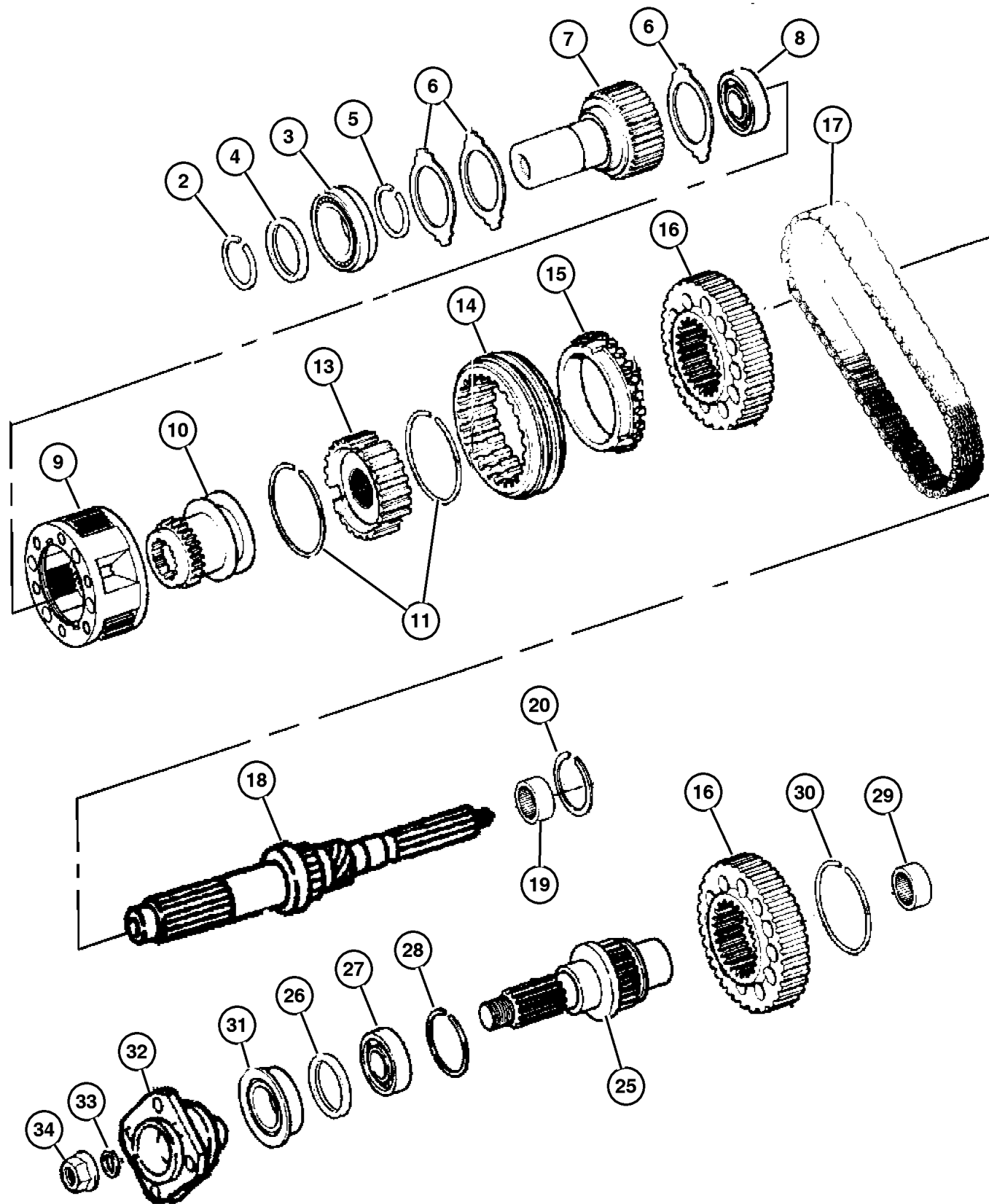
ITEM	PART NUMBER	QTY	LINE	SERIES	BODY	ENGINE	TRANS	TRIM	DESCRIPTION
37	5093 604AA	1							YOKE, Transfer Case Output, Rear
38	5093 605AA	1							SLEEVE, Wear

JEEP WRANGLER (TJ)				
SERIES	LINE	BODY	ENGINE	TRANSMISSION
H = Sport	J = Wrangler 4WD	77 = 93.4 WB	ED1, ED0 = 2.4L DOHC	DGG, DGD = 32RH 3 Spd. Auto.
L = SE	U = Wrangler 4WD (RHD)		ERH = 4.0L Power Tech	DDD = 5 Speed HD Manual
M = X				DG0 = Auto. Trans.
P = Sahara				DBB = Manual Trans.
S = Rubicon				DDK = 5 Speed Manual

AR = Use as required - = Non illustrated part # = New this model year

January 6, 2004

**Gear Train [DHW]  
Figure 241-410**



ITEM	PART NUMBER	QTY	LINE	SERIES	BODY	ENGINE	TRANS	TRIM	DESCRIPTION
-1	5093 592AA	1							RETAINER
2	5072 460AA	1							SNAP RING
3	5072 458AA	1							BEARING, Input Gear
4	5019 020AA	1							SEAL, Input Gear
5	3821 558	1							SNAP RING
6	5093 593AA	1							THRUST WASHER, Planetary Carrier
7									GEAR, Input, Serviced in Planetary Assembly, (NOT SERVICED) (Not Serviced)
8	4746 127	1							BEARING, Input Shaft
9	5093 595AA	1							PLANETARY, Transfer Case
10	5093 600AA	1							SLEEVE, Shift Range
11	5080 503AA	3							SNAP RING, Clutch Gear
-12	5080 502AA	1							GEAR, Clutch Drive
13	5080 504AA	1							HUB, Synchronizer
14	5080 207AA	1							SLEEVE, Mode Synchronizer
15	5080 197AA	1							HUB, Synchronizer
16	5080 201AA	2							SPROCKET, Transfer Case
17	5080 215AA	1							CHAIN, Transfer Case
18	5093 601AA	1							MAINSHAFT, Transfer Case
19	4897 981AA	1							BEARING, Output Shaft
20	0893 31A	1							SNAP RING
-21	5101 878AA	1							HOUSING, Pump
-22	5101 879AA	1							ROTOR, Inner
-23	5101 880AA	1							ROTOR, Outer
-24	4798 130	1							SNAP RING
25	5093 602AA	1							OUTPUT SHAFT, Transfer Case
26	4798 125	1							SEAL, Output Shaft
27	4897 981AA	1							BEARING, Output Shaft
28	0893 31A	1							SNAP RING
29	4269 189	1							BEARING, Output Shaft
30	5080 503AA	1							SNAP RING, Clutch Gear
31	5093 605AA	1							SLEEVE, Wear
32	5093 609AA	1							YOKE, Transfer Case Output
33	4210 973	1							WASHER, Transfer Case Yoke
34	4167 924	1							NUT, Transfer Case Yoke

**JEEP WRANGLER (TJ)**

SERIES  
H = Sport  
L = SE  
M = X  
P = Sahara  
S = Rubicon

LINE  
J = Wrangler 4WD  
U = Wrangler 4WD (RHD)

BODY  
77 = 93.4 WB

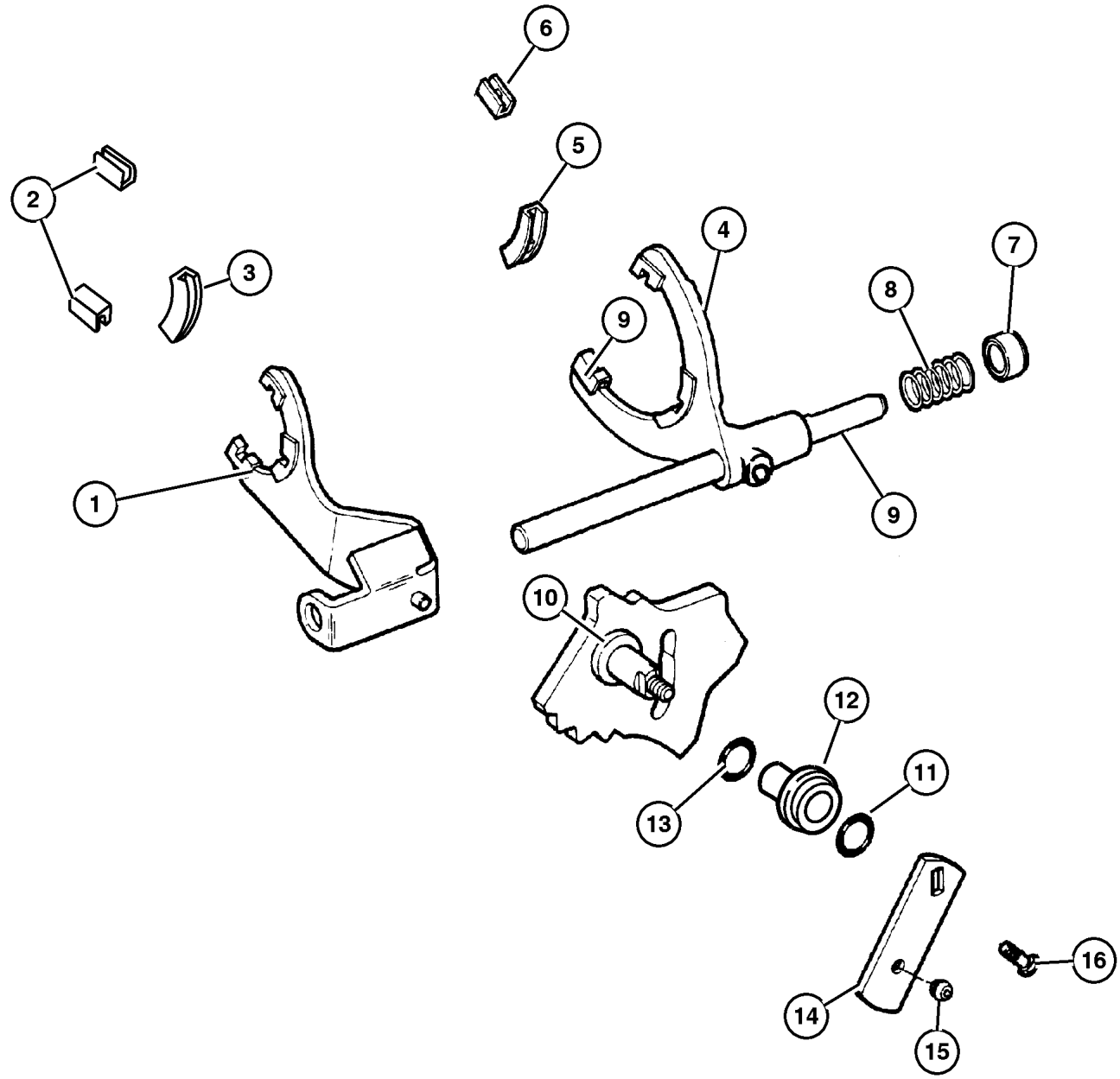
ENGINE  
ED1, ED0 = 2.4L DOHC  
ERH = 4.0L Power Tech

TRANSMISSION  
DGG, DGD = 32RH 3 Spd. Auto.  
DDD = 5 Speed HD Manual  
DGO = Auto. Trans.  
DBB = Manual Trans.  
DDK = 5 Speed Manual

AR = Use as required - = Non illustrated part # = New this model year

January 6, 2004

Forks [DHW]  
Figure 241-910



ITEM	PART NUMBER	QTY	LINE	SERIES	BODY	ENGINE	TRANS	TRIM	DESCRIPTION
1	5093 596AA	1							FORK, Range
2	4167 969	2							PAD, Shift Fork
3	5080 325AA	1							PAD, Shift Fork
4	5093 597AA	1							FORK, Transfer Case Mode Shift
5	4219 073	1							PAD, Shift Fork
6	4167 969	2							PAD, Shift Fork
7	8350 3515	2							CUP, Shift Fork Spring
8	0013 816	1							SPRING, Mode Fork
9	5093 599AA	1							RAIL, Transfer Case
10	5093 594AA	1							SECTOR, Transfer Case
11	5014 046AA	1							SEAL, Sector Shaft
12	5080 760AA	1							SUPPORT, Gearshift Lever
13	5080 761AA	1							SEAL, Gearshift Lever
14	5093 607AA	1							LEVER, Selector
15	5300 4810	1							BUSHING, Shift Lever
16	5093 608AA	1							BOLT, Transfer Case

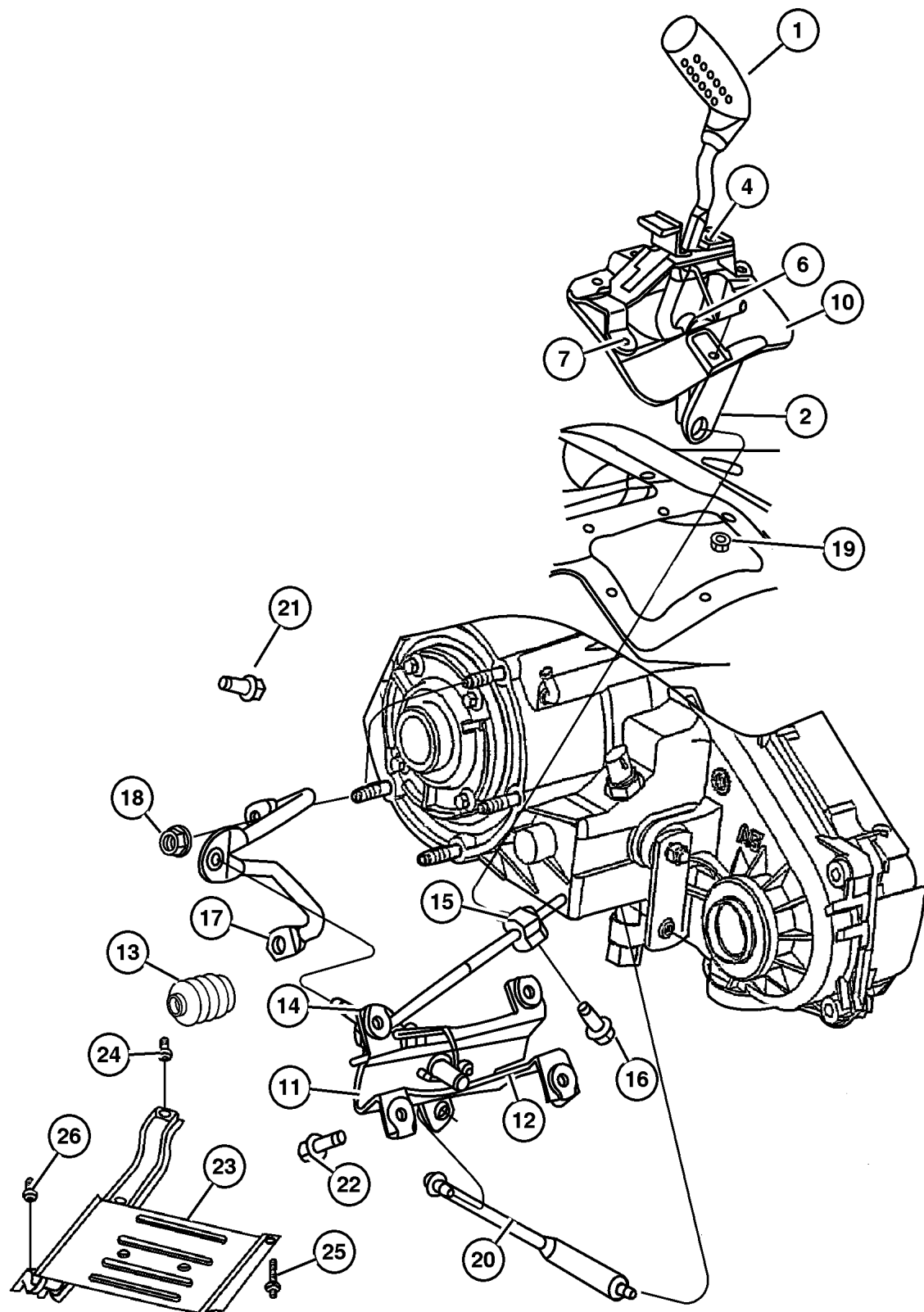
JEEP WRANGLER (TJ)

SERIES	LINE	BODY	ENGINE	TRANSMISSION
H = Sport	J = Wrangler 4WD	77 = 93.4 WB	ED1, ED0 = 2.4L DOHC	DGG, DGD = 32RH 3 Spd. Auto.
L = SE	U = Wrangler 4WD (RHD)		ERH = 4.0L Power Tech	DDD = 5 Speed HD Manual
M = X				DG0 = Auto. Trans.
P = Sahara				DBB = Manual Trans.
S = Rubicon				DDK = 5 Speed Manual

AR = Use as required - = Non illustrated part # = New this model year

January 6, 2004

**Controls [DHW]  
Figure 241-1210**



ITEM	PART NUMBER	QTY	LINE	SERIES	BODY	ENGINE	TRANS	TRIM	DESCRIPTION
NOTE: Sales Codes:									
[DBB]=All Manual Transmissions									
[DD0]=All 5 Speed Manual Transmissions									
[DG0]=All Automatic Transmissions									
[DG6]= 4 Speed Automatic Transmission [42RLE]									
[ED0]=All 2.2,2.4,2.5 L 4 Cylinder Gas Engines									
[ER0]=All 4.0L 6 Cylinder Engines									
1									SHIFTER, Transfer Case
	52104 080AF	1	J						
	52104 081AF	1	U						
2									LEVER, Transfer Case Shifter
	53005 150AB	1	J						
		1	U						
-3									GROMMET
	3575 333	1	J						
		1	U						
4									FASTENER, Push On
	5207 7671	1	J						
		1	U						
-5									STRAP, Retaining
	J369 3058	1	J						
		1	U						
6									PIN, Cotter
	J400 6723	1	J						
		1	U						
7									NUT, Push, M5
	6100 839	2	J						
		2	U						
-8									SNAP RING
	1150 5389	1	J						
		1	U						
-9									BUSHING, Shift Control
	5300 0639	2	J						
		2	U						
10									HOUSING, Shift Lever
	5300 1284	1	J						
		1	U						
11	52109 695AA	1	J			ER0			BRACKET, Torque Shaft
12	52104 017AD	1	J			ER0			BRACKET, Torque Shaft
13	52109 531AA	1	J			ER0			BOOT, Torque Shaft
14	52104 073AC	1	J			ER0			ROD, Gear Shift Control, Transfer Case

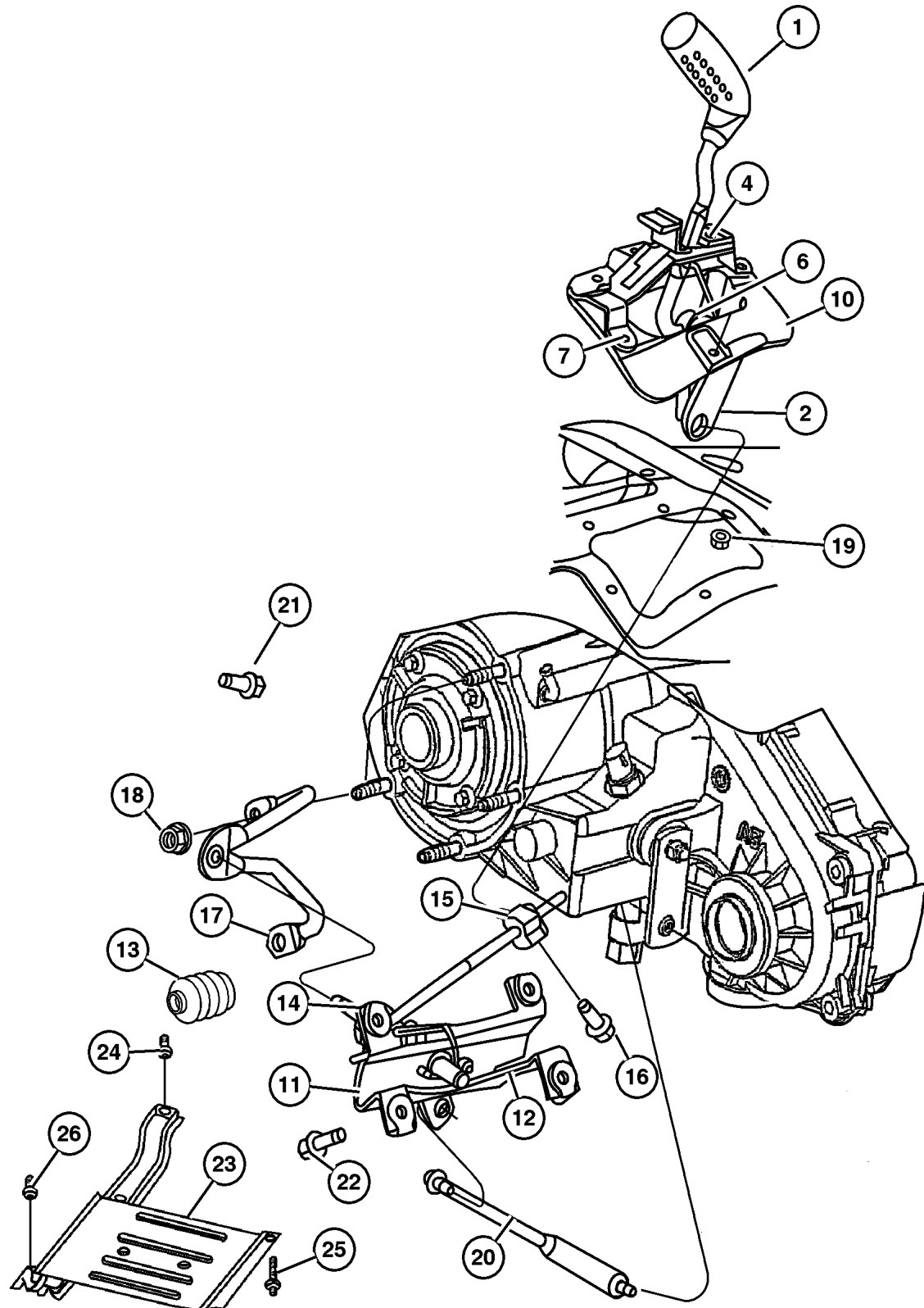
**JEEP WRANGLER (TJ)**

SERIES	LINE	BODY	ENGINE	TRANSMISSION
H = Sport	J = Wrangler 4WD	77 = 93.4 WB	ED1, ED0 = 2.4L DOHC	DGG, DGD = 32RH 3 Spd. Auto.
L = SE	U = Wrangler 4WD (RHD)		ERH = 4.0L Power Tech	DDD = 5 Speed HD Manual
M = X				DG0 = Auto. Trans.
P = Sahara				DBB = Manual Trans.
S = Rubicon				DDK = 5 Speed Manual

AR = Use as required - = Non illustrated part # = New this model year

January 6, 2004

**Controls [DHW]  
Figure 241-1210**



ITEM	PART NUMBER	QTY	LINE	SERIES	BODY	ENGINE	TRANS	TRIM	DESCRIPTION
15	4377 309	1	J			ER0			CLAMP, Shift Rod
16	J941 9683	1							BOLT, Hex Flange Head, .312-18x.625
17									ROD, Torque Shaft
	52109 743AA	1				ED0	DBB		
	52109 744AA	1				ED0	DG6		
	52109 745AA	1				ER0			
18									NUT AND CONED WASHER, Hex, .375-24
	J400 6681	6				ED0	DD0		
		6				ED0	DG0		
		6				ER0			
19	6504 601	5							NUT, Rivet Round, M5x0.80x11.09
20	52109 920AA	1	J			ER0			ROD, Gear Shift Control, Transfer Case
21	6101 503	2				ED0	DG6		SCREW AND WASHER, Hex Head, M10x1.5x25
22	6503 811	4							BOLT, Hex Head, M6x1.00x20.00
23	52059 506AB	1					DG6		SKID PLATE, Front
24	6504 825AA	2					DG6		SCREW
25	6503 692	2				ED0			SCREW, M8-1.25
26	6506 629AA	2					DG6		NUT, Rivet

**JEEP WRANGLER (TJ)**

SERIES	LINE	BODY	ENGINE	TRANSMISSION
H = Sport	J = Wrangler 4WD	77 = 93.4 WB	ED1, ED0 = 2.4L DOHC	DGG, DGD = 32RH 3 Spd. Auto.
L = SE	U = Wrangler 4WD (RHD)		ERH = 4.0L Power Tech	DDD = 5 Speed HD Manual
M = X				DG0 = Auto. Trans.
P = Sahara				DBB = Manual Trans.
S = Rubicon				DDK = 5 Speed Manual

AR = Use as required - = Non illustrated part # = New this model year

January 6, 2004

# Group – 21P

## Speedometer Pinions

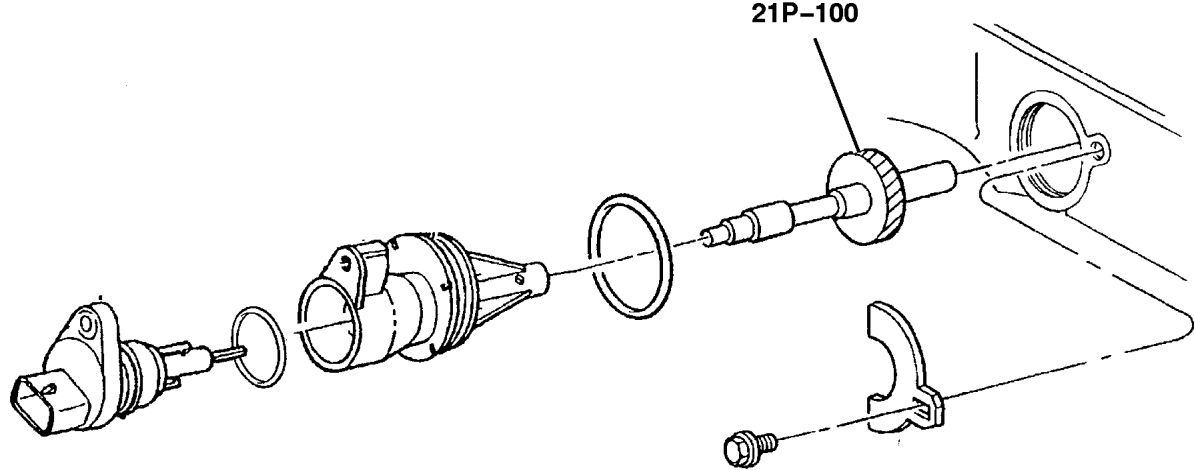
**GROUP 21P - Speedometer Pinions**

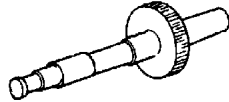
Illustration Title

Group-Fig. No.

**Speedometer Pinions**

Speedometer Pinion & Housing ..... Fig. 21P-110



<p><b>21P-100</b> Speedometer Pinions</p> 			
---	--	--	--

**Speedometer Pinion & Housing  
Figure 21P-110**

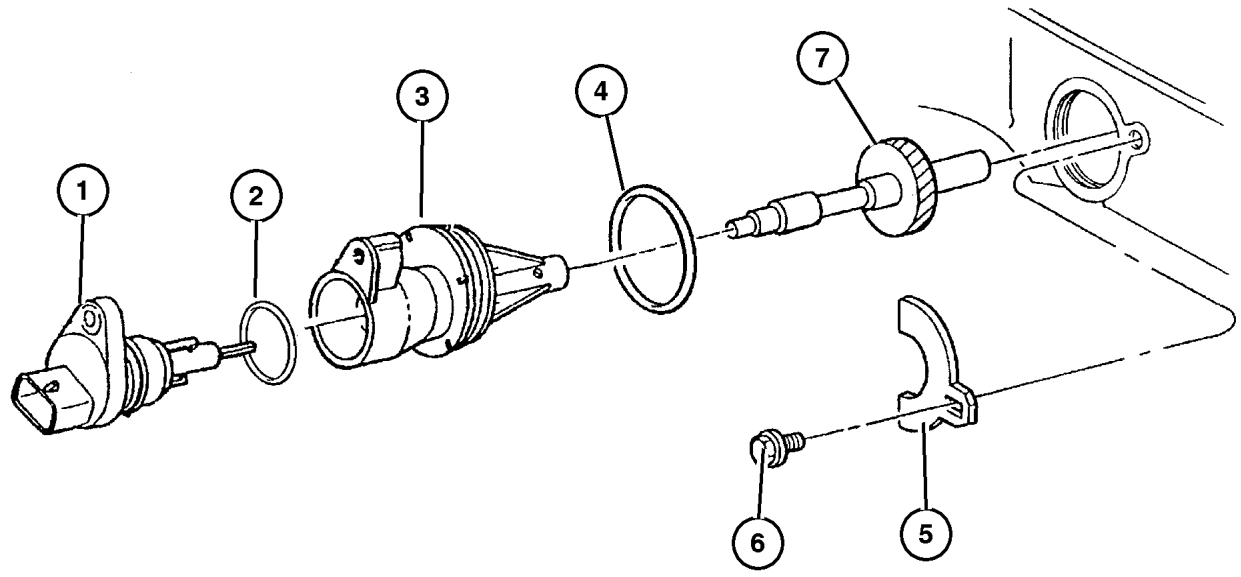
ITEM	PART NUMBER	QTY	LINE	SERIES	BODY	ENGINE	TRANS	TRIM	DESCRIPTION
------	-------------	-----	------	--------	------	--------	-------	------	-------------

**NOTE:**

**Sales Codes:**

- [DGD]=3 Speed Automatic Transmission
- [DME]=3.73 Axle Ratio
- [DMF]=4.11 Axle Ratio
- [DMM]=3.07 Axle Ratio
- [DMU]=4.56 Axle Ratio
- [TMS]=P215/75R15 Raised Black Letters Tire
- [TPN]=205/75R15 [Wrangler RT] Tire
- [TRK]=P225/70R16 Black Sidewall All Terrain Tire
- [TRN]=P225/70R16 Outside White Letter Tire
- [TUS]=30x9.5R15 Outside White Letter Tire
- [TY3]=P245/75r16 Black Sidewall Letter Tire
- [TZA]=[Goodyear] Brand Tire
- [TM0]=All 215 Size Tires
- [TP0]=All 205 Size Tires
- [TR0]=All 225,245,255, R15/R16 Tires

1	5602 7905	1							SENSOR, Vehicle Speed
2	5602 8182	1							O RING
3	5206 9315	1							HOUSING, Speedometer Drive Gear
4	6035 709	1							O RING, Trans Speedo Adapter
5	2892 399	1							CLAMP, Speedometer
6	6022 225	1							SCREW AND WASHER, Hex Head, .312-18x.75
7									PINION, Speedometer Drive
	5206 7628	1							With [TUS+DMM]
	5206 7640	1							With [TMS+DMF]
	5206 7643	1							With [TRN+DMU]
	5206 7644	1							With [TMS+DMU]
	5206 7645	1							With [TPN+DMU]
	5206 7641	1							With [TPN+DMF]
	5206 7634	1							With [TUS+DME+TZA]
	5206 7637	1							With [TPN+DME+TZA] Or [TPN+DME+TZA]
	5206 7636	1							With [TRN=TMS+DME+TZA]
		1							With [TY3+DMF]
	5206 7638	1							With [TUS+DMF]
	5206 7639	1							With [TRN+DMF]
	5206 7629	1							With [TRN=TRK+DMM]
	5206 7630	1							With [TMS+DMM]



**JEEP WRANGLER (TJ)**

<b>SERIES</b>	<b>LINE</b>	<b>BODY</b>	<b>ENGINE</b>	<b>TRANSMISSION</b>
H = Sport	J = Wrangler 4WD	77 = 93.4 WB	ED1, ED0 = 2.4L DOHC	DGG, DGD = 32RH 3 Spd. Auto.
L = SE	U = Wrangler 4WD (RHD)		ERH = 4.0L Power Tech	DDD = 5 Speed HD Manual
M = X				DG0 = Auto. Trans.
P = Sahara				DBB = Manual Trans.
S = Rubicon				DDK = 5 Speed Manual

AR = Use as required - = Non illustrated part # = New this model year



# Group – 022

## Wheels, Covers and Jacks

### GROUP 22 - Wheels, Covers and Jacks

Illustration Title

Group-Fig. No.

#### Wheels and Hardware

Wheels ..... Fig. 022-110

#### Wheel Covers and Center Caps

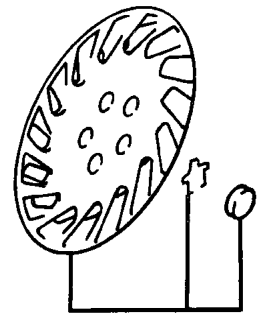
Caps And Covers ..... Fig. 022-210

#### Jack Stowage

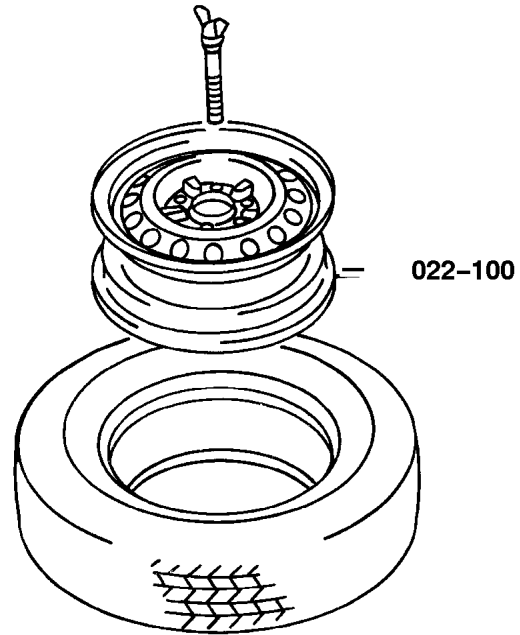
Jack And Storage ..... Fig. 022-310

#### Spare Tire Stowage

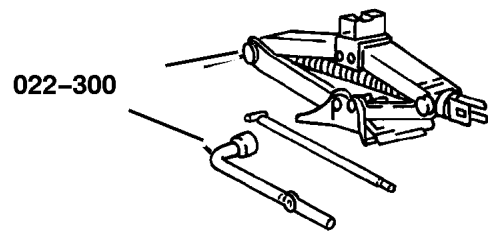
Wheel, Spare Tailgate Mounted ..... Fig. 022-410




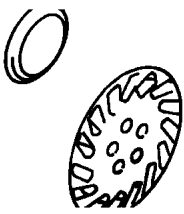
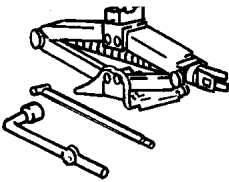
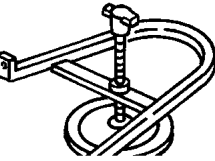
022-200



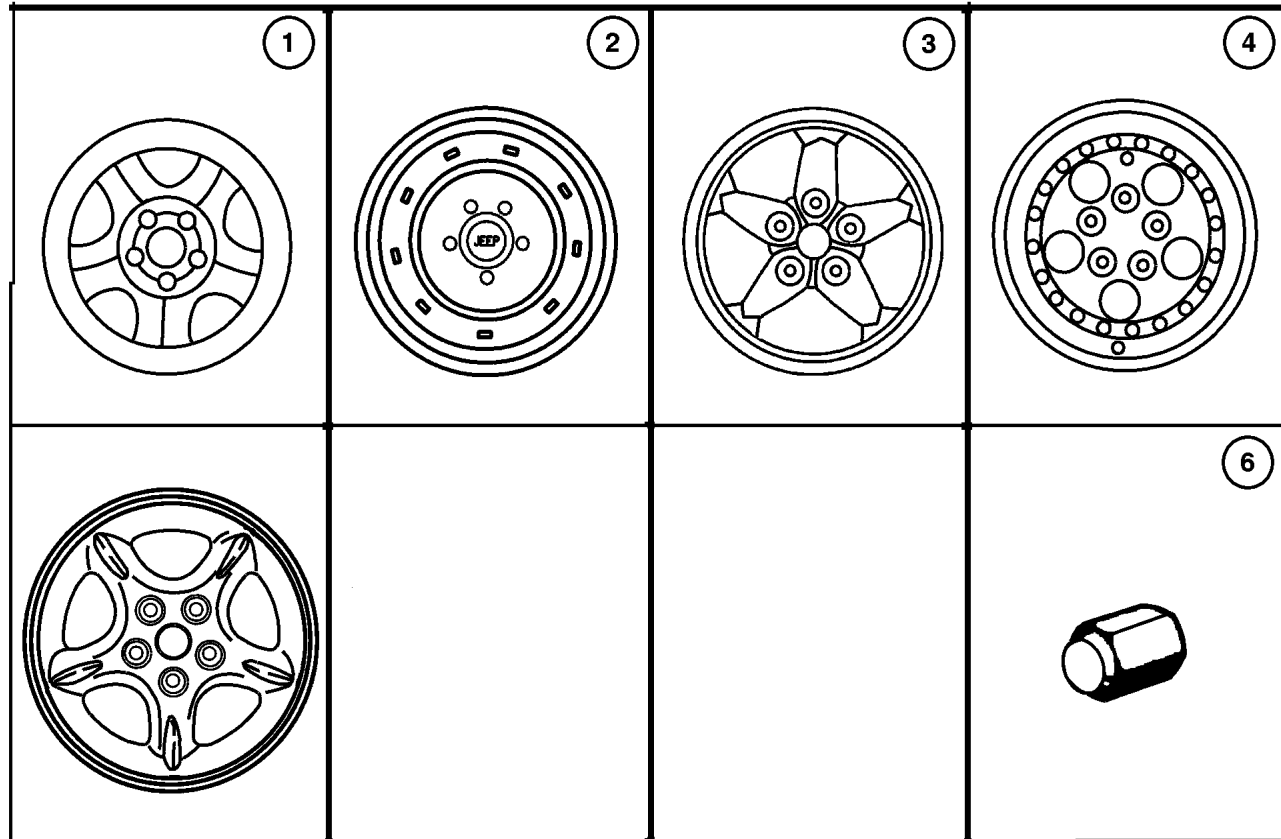
022-100



022-300

<p><b>022-100</b> Wheels and Hardware</p> 	<p><b>022-200</b> Wheel Covers and Center Caps</p> 	<p><b>022-300</b> Jack Stowage</p> 	<p><b>022-400</b> Spare Tire Stowage</p> 
---	--	---	--

## Wheels Figure 022-110



ITEM	PART NUMBER	QTY	LINE	SERIES	BODY	ENGINE	TRANS	TRIM	DESCRIPTION
Note: Sales Code WJK = 15x6.0 Steel Wheels									
Note: Sales Code WJ5 = 15x7.0 Steel Wheels									
Note: Sales Code WJM = 15x7.0 Chrome Wheels									
Note: Sales Code WJ1 = 15x7.0 Aluminum Wheels									
Note: Sales Code WJ9,WJ4 = 15x8.0 Aluminum Wheels									
Note: Sales Code WJU = 16x8.0 Aluminum Wheels									
1	5EW03 S4AAB	4							WHEEL, Steel [WJD]
	5EW03 AJ7AB	4							[WKA]
2	5FV63 S4AAE	4			77				WHEEL, Steel, [WJ5]
3	#5EE80 PAKAD	4							WHEEL, Aluminum, [WJW]
4	#5JL73 PAKAA	4							WHEEL, Aluminum, [WJX]
-5	#5JL73 PAKAA	4							WHEEL, Aluminum [WJ4]
	#5HP23 PAKAB	4							[WDY]
	5HP23 PAKAA	4							[WD1]
	#5EE80 ZDRAE	4							[WJQ]
6	6036 310AA	20							NUT, Wheel, .50x20
-7	2073 355	5							STEM, Wheel Valve

**JEEP WRANGLER (TJ)**

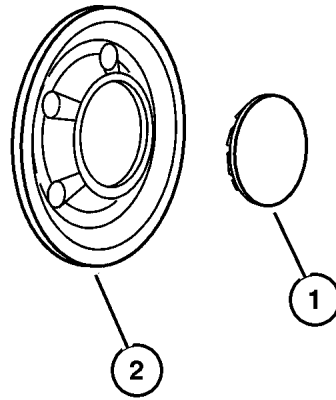
SERIES	LINE	BODY	ENGINE	TRANSMISSION
H = Sport	J = Wrangler 4WD	77 = 93.4 WB	ED1, ED0 = 2.4L DOHC	DGG, DGD = 32RH 3 Spd. Auto.
L = SE	U = Wrangler 4WD (RHD)		ERH = 4.0L Power Tech	DDD = 5 Speed HD Manual
M = X				DG0 = Auto. Trans.
P = Sahara				DBB = Manual Trans.
S = Rubicon				DDK = 5 Speed Manual

AR = Use as required - = Non illustrated part # = New this model year

January 6, 2004

**Caps And Covers**  
**Figure 022-210**

ITEM	PART NUMBER	QTY	LINE	SERIES	BODY	ENGINE	TRANS	TRIM	DESCRIPTION
Note: Sales Code WJW = 15x7.0 Aluminum Wheels									
Note: Sales Code WJ5 = 15x7.0 Steel Wheels									
Note: Sales Code WJK = 15x6.0 Steel Wheels									
Note: Sales Code WJX = 15x8.0 Aluminum Wheels									
1	5DY07 TAEAB	4							CAP, Wheel Center, [WJW]
2	5GL69 S4AAA	4			77				CAP, Wheel Center [WJ5]
	52059 522AA	4							[WJX,WD1,WJ4,]
	5208 9008	4							[WJD]



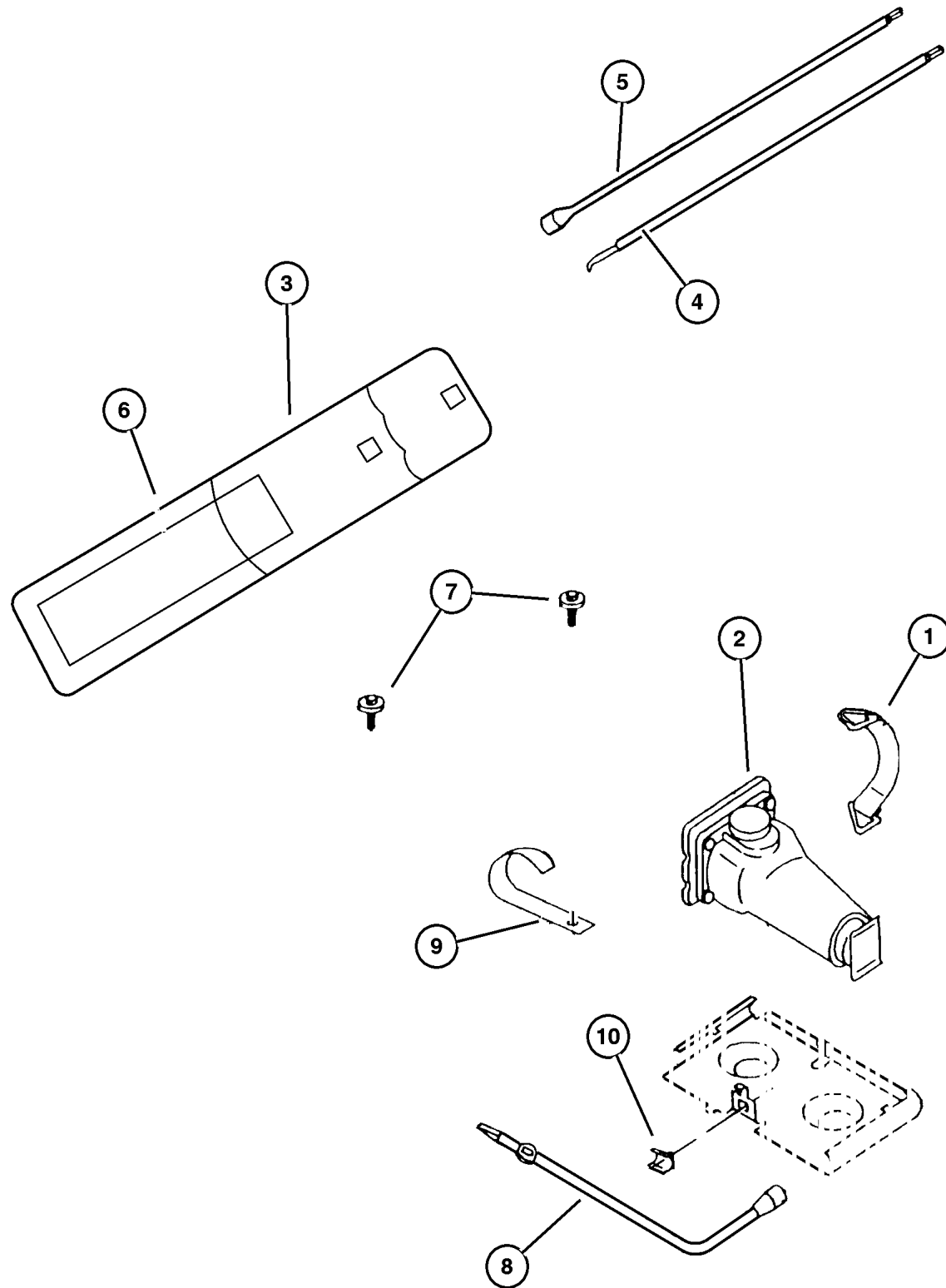
**JEEP WRANGLER (TJ)**

SERIES	LINE	BODY	ENGINE	TRANSMISSION
H = Sport	J = Wrangler 4WD	77 = 93.4 WB	ED1, ED0 = 2.4L DOHC	DGG, DGD = 32RH 3 Spd. Auto.
L = SE	U = Wrangler 4WD (RHD)		ERH = 4.0L Power Tech	DDD = 5 Speed HD Manual
M = X				DG0 = Auto. Trans.
P = Sahara				DBB = Manual Trans.
S = Rubicon				DDK = 5 Speed Manual

AR = Use as required - = Non illustrated part # = New this model year

January 6, 2004

Jack And Storage  
Figure 022-310



ITEM	PART NUMBER	QTY	LINE	SERIES	BODY	ENGINE	TRANS	TRIM	DESCRIPTION
1	5203 8254	1							STRAP, Jack Storage
2	52058 912AC	1							JACK
3	52059 162AD	1							BAG, Jack Tool Storage
4	52058 905AB	1							EXTENSION, Jack Handle
5	52088 133AB	1							HANDLE, Jack
6									LABEL, Serviced in #3, (NOT SERVICED) (Not Serviced)
7	6504 616	2							SCREW, M4.2x1.41
8	52058 907AB	1							WRENCH, Wheel Lug Nut
9	5205 9047	2							STRAP, Jack Tool Storage
10	6504 697	1							CLIP, Lug Wrench
-11	52110 391AB	1							LABEL, Jack Caution
-12	52059 185AA	1							CLIP

JEEP WRANGLER (TJ)

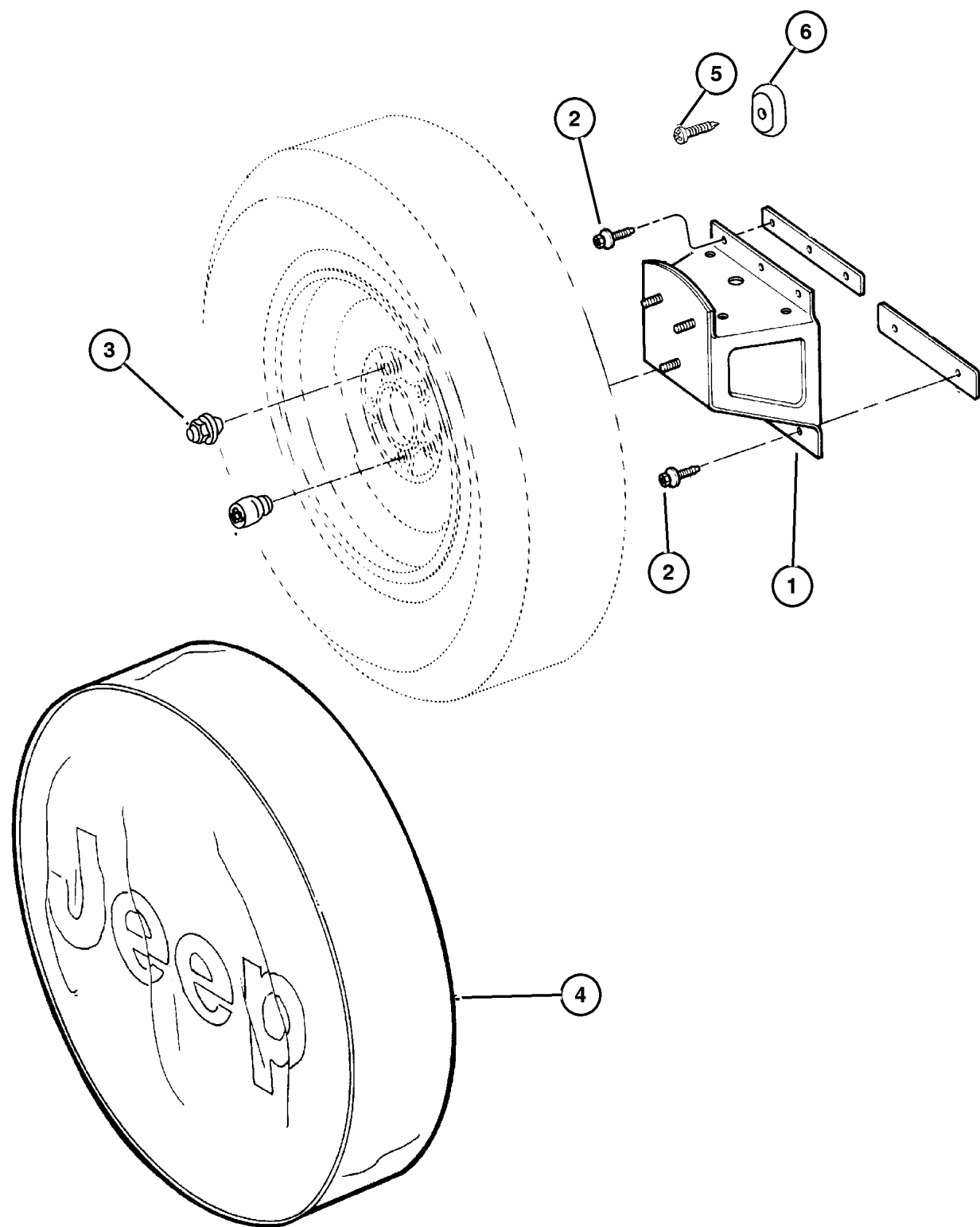
SERIES	LINE	BODY	ENGINE	TRANSMISSION
H = Sport	J = Wrangler 4WD	77 = 93.4 WB	ED1, ED0 = 2.4L DOHC	DGG, DGD = 32RH 3 Spd. Auto.
L = SE	U = Wrangler 4WD (RHD)		ERH = 4.0L Power Tech	DDD = 5 Speed HD Manual
M = X				DG0 = Auto. Trans.
P = Sahara				DBB = Manual Trans.
S = Rubicon				DDK = 5 Speed Manual

AR = Use as required - = Non illustrated part # = New this model year

January 6, 2004

**Wheel, Spare Tailgate Mounted  
Figure 022-410**

ITEM	PART NUMBER	QTY	LINE	SERIES	BODY	ENGINE	TRANS	TRIM	DESCRIPTION
1	55175 913AE	1							BRACKET, Spare Tire
2									SCREW AND WASHER, Hex Head, .312-18x1.125, (NOT SERVICED) (Not Serviced)
3	6036 310AA	3							NUT, Wheel, .50x20
4									COVER, Spare Tire
	5FF4 7TX7	1	J	H, L, M	77				
	5FF5 5TX7	1		H, L	77				Black, 'Saraha' Europe
	5JG83 1J8AA	1		P	77				With [ABB], Without [ABA]
	5JG84 1J8AA	1		P	77				With [ABA]
	5JG85 1J8AA	1		P	77				Without [ABB]
	5JX01 1X7AA	1	J	S	77				
	#5KB03 1J8AA	1		P					30' Saraha
5	6506 476AA	3							SCREW, Hex Flange Head, M4.8x1.59x11.00
6									BUMPER, Spare Tire Impact
	5534 5519	1			77				[-TUS]
	5501 3350	1							[TUS]
-7	5208 8515	1							NUT, Lock, .50-20



**JEEP WRANGLER (TJ)**

SERIES	LINE	BODY	ENGINE	TRANSMISSION
H = Sport	J = Wrangler 4WD	77 = 93.4 WB	ED1, ED0 = 2.4L DOHC	DGG, DGD = 32RH 3 Spd. Auto.
L = SE	U = Wrangler 4WD (RHD)		ERH = 4.0L Power Tech	DDD = 5 Speed HD Manual
M = X				DG0 = Auto. Trans.
P = Sahara				DBB = Manual Trans.
S = Rubicon				DDK = 5 Speed Manual

AR = Use as required - = Non illustrated part # = New this model year

January 6, 2004

# Group – 23D

## Wiper/Lock Cylinder and Keys

### GROUP 23D - Wiper/Lock Cylinder and Keys

Illustration Title

Group-Fig. No.

#### Lock Cylinders and Keys

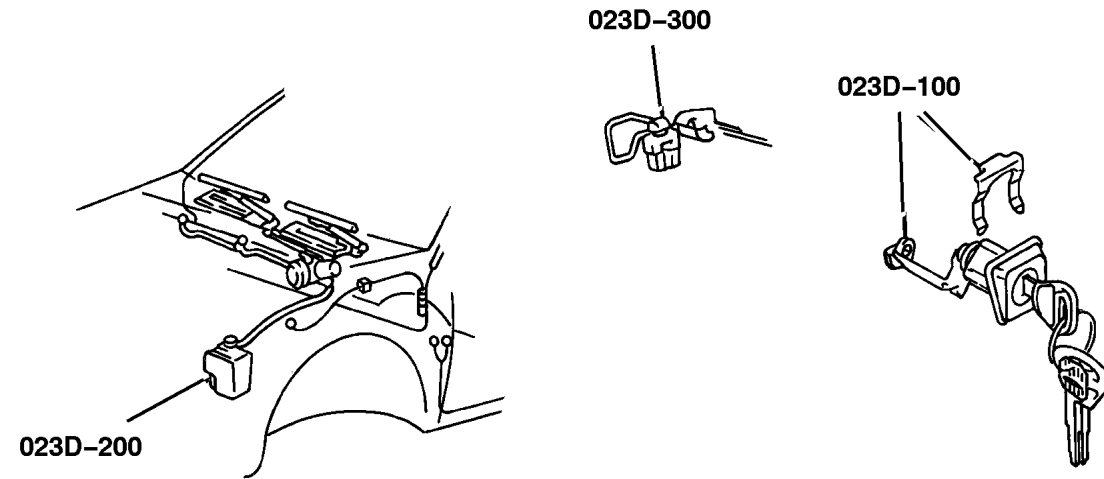
Lock Cylinders & Keys ..... Fig. 23D-105

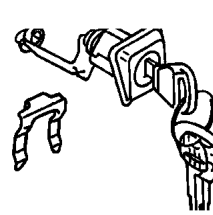
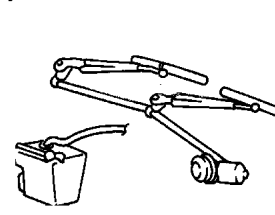
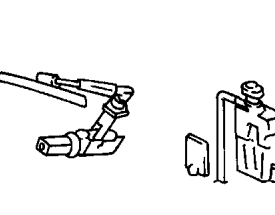
#### Windshield Wiper and Washer Systems

Wiper System Front ..... Fig. 23D-205

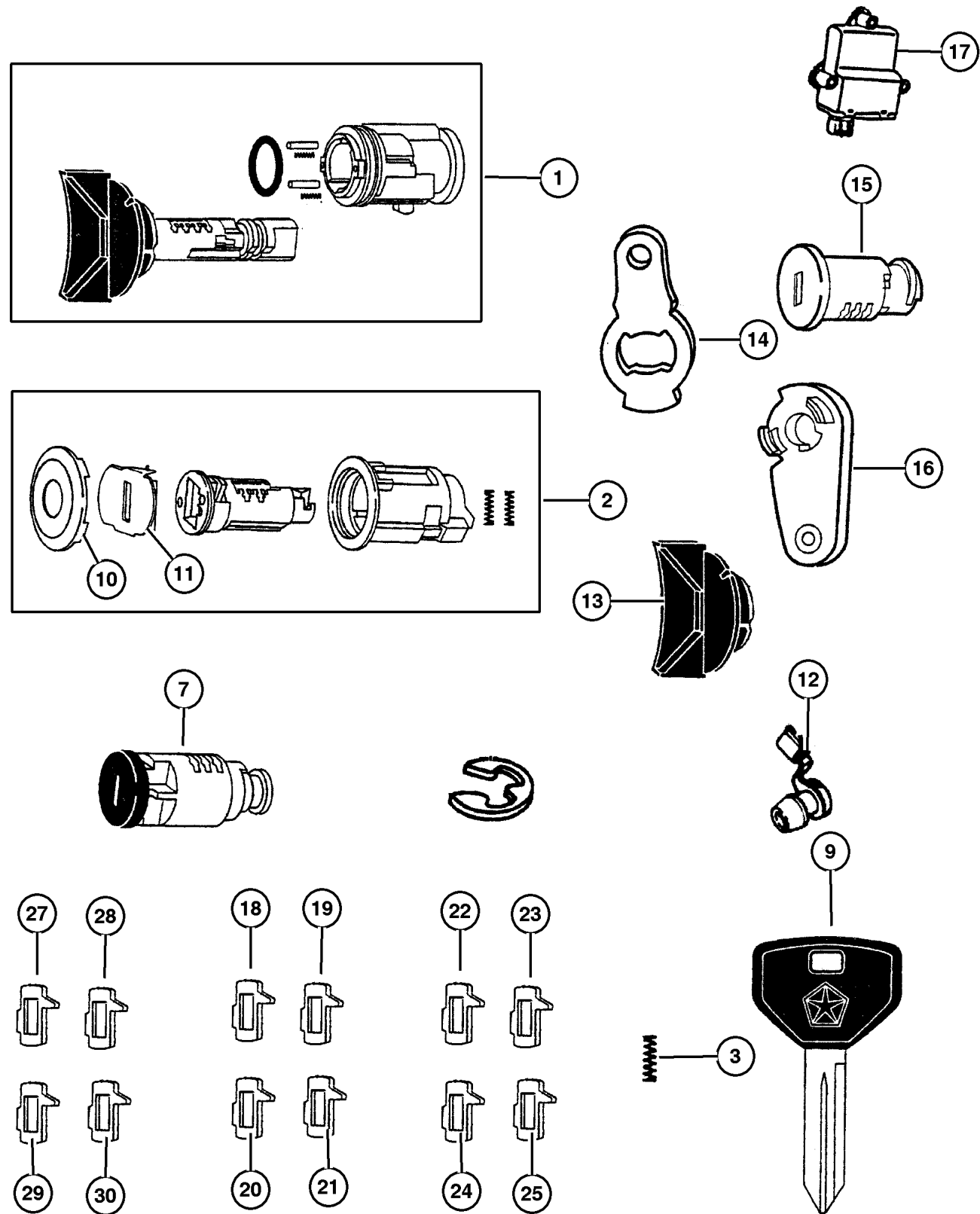
#### Rear Wiper and Washer System

Rear Wiper System ..... Fig. 23D-305



<p><b>23D-100</b> Lock Cylinders and Keys</p> 	<p><b>23D-200</b> Windshield Wiper and Washer Systems</p> 	<p><b>23D-300</b> Rear Wiper and Washer System</p> 	
---	---	---	--

## Lock Cylinders & Keys Figure 23D-105



ITEM	PART NUMBER	QTY	LINE	SERIES	BODY	ENGINE	TRANS	TRIM	DESCRIPTION
NOTE: ALL CYLINDERS ARE UNCODED									
1	5003 843AB	1							CYLINDER, Ignition Lock
2	4864 651	1							CYLINDER, Door Lock, Doors & Tailgate
3	4378 793	1							SPRING, Cylinder Return
-4	5010 883AB	1							SPRING, Ignition Tumbler, Sidebar
-5	5523 5561	1							GASKET, Door Lock Cylinder, Black
-6	55176 401AC	2							RETAINER, Door Lock Cylinder
7	4746 315	1							CYLINDER, Glove Box Lock
-8	4746 873	1							SPRING, Lock Cylinder Tumbler
9	5018 700AA	1							KEY, Master
10									CAP, Door Lock Cylinder, Black, Serviced in Lock Kit Only, (NOT SERVICED) (Not Serviced)
11									SHUTTER, Door, Deck and Liftgate, Bright, Serviced in Lock Kit Only, (NOT SERVICED) (Not Serviced)
12									CLIP, Latch
	4658 444	1							Purple
	4658 445	1							Orange
13									KNOB, Ignition Cylinder, Black
									Plastic, Serviced with Cylinder, (NOT SERVICED) (Not Serviced)
14	55075 824AB	1							LEVER, Door Lock Cylinder, Tailgate
15	4746 305	1							CYLINDER, Console Lock
16	5507 6307	1							LEVER, Door Lock
17	56010 209AD	1							MODULE, Immobilizer
18	5010 879AA	1							TUMBLER, Ignition Number 1, Sidebar
19	5010 880AA	1							TUMBLER, Ignition Number 2, Sidebar
20	5010 881AA	1							TUMBLER, Ignition Number 3, Sidebar
21	5010 882AA	1							TUMBLER, Ignition Number 4, Sidebar
22	5257 132	1							TUMBLER, Ignition Number 1
23	5257 133	1							TUMBLER, Ignition Number 2
24	5257 134	1							TUMBLER, Ignition Number 3
25	5257 135	1							TUMBLER, Ignition Number 4
-26	4778 121	1							SPRING, Door and Deck Tumbler
27	4778 117	1							TUMBLER, Door and Deck Number 1, Wide

### JEEP WRANGLER (TJ)

SERIES  
H = Sport  
L = SE  
M = X  
P = Sahara  
S = Rubicon

LINE  
J = Wrangler 4WD  
U = Wrangler 4WD (RHD)

BODY  
77 = 93.4 WB

ENGINE  
ED1, ED0 = 2.4L DOHC  
ERH = 4.0L Power Tech

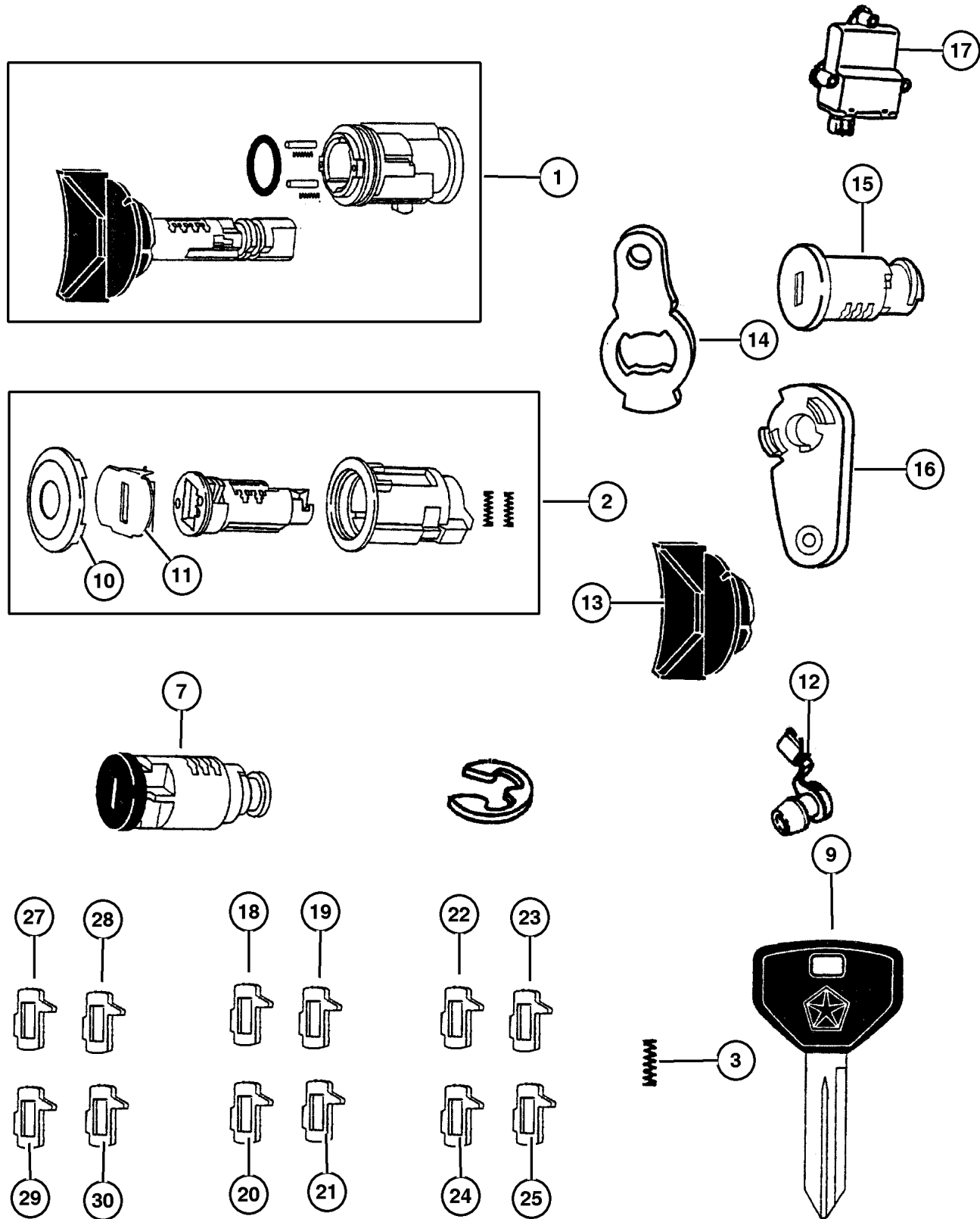
TRANSMISSION  
DGG, DGD = 32RH 3 Spd. Auto.  
DDD = 5 Speed HD Manual  
DGO = Auto. Trans.  
DBB = Manual Trans.  
DDK = 5 Speed Manual

AR = Use as required - = Non illustrated part # = New this model year

January 6, 2004

## Lock Cylinders & Keys Figure 23D-105

ITEM	PART NUMBER	QTY	LINE	SERIES	BODY	ENGINE	TRANS	TRIM	DESCRIPTION
28	4778 118	1							TUMBLER, Door and Deck Number 2, Wide
29	4778 119	1							TUMBLER, Door and Deck Number 3, Wide
30	4778 120	1							TUMBLER, Door and Deck Number 4, Wide
-31	5529 5904	2							RETAINER, Door Cylinder To Handle



### JEEP WRANGLER (TJ)

SERIES	LINE	BODY	ENGINE	TRANSMISSION
H = Sport	J = Wrangler 4WD	77 = 93.4 WB	ED1, ED0 = 2.4L DOHC	DGG, DGD = 32RH 3 Spd. Auto.
L = SE	U = Wrangler 4WD (RHD)		ERH = 4.0L Power Tech	DDD = 5 Speed HD Manual
M = X				DG0 = Auto. Trans.
P = Sahara				DBB = Manual Trans.
S = Rubicon				DDK = 5 Speed Manual

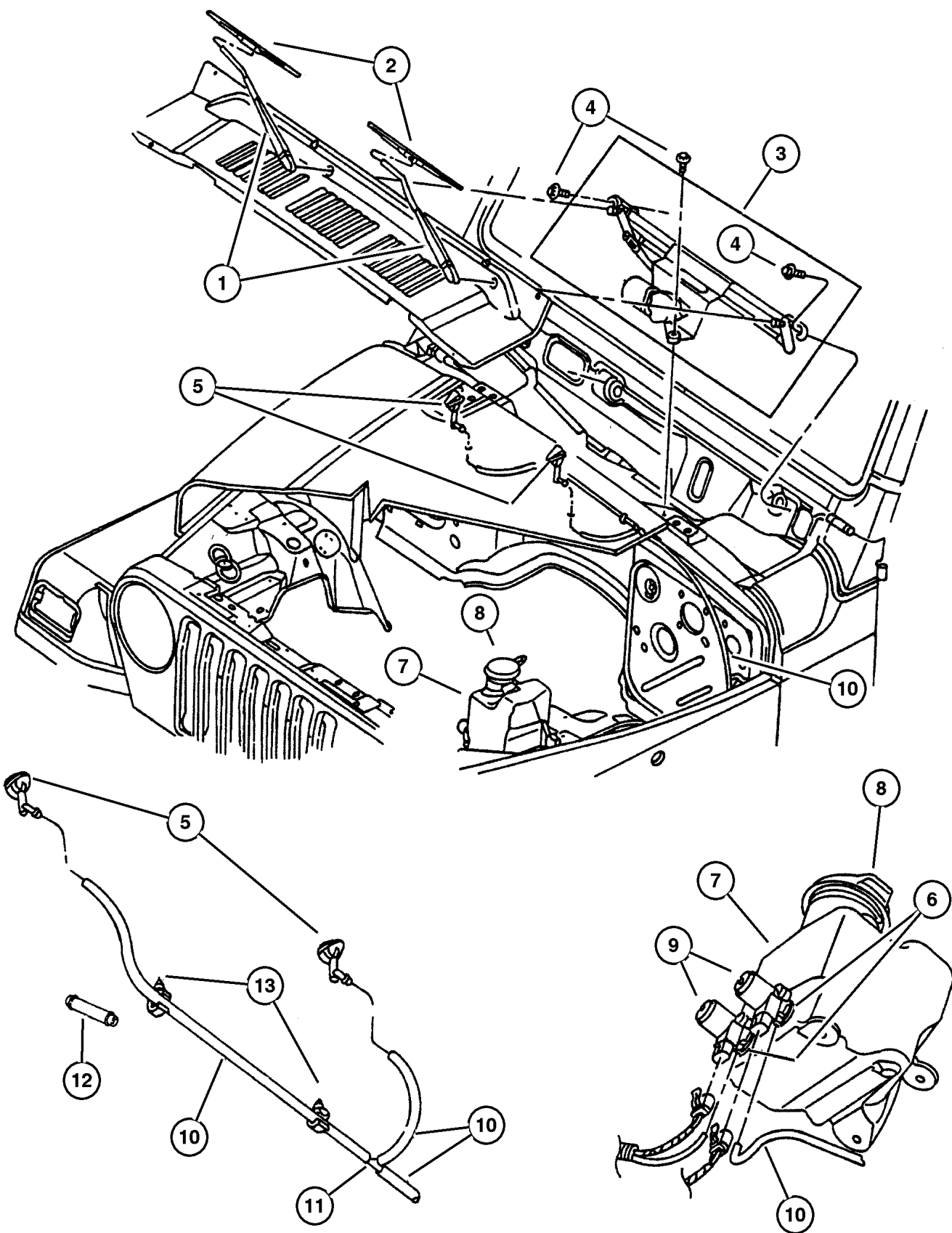
AR = Use as required - = Non illustrated part # = New this model year

January 6, 2004



**Wiper System Front  
Figure 23D-205**

ITEM	PART NUMBER	QTY	LINE	SERIES	BODY	ENGINE	TRANS	TRIM	DESCRIPTION
1									ARM, Wiper
	5515 5658	2	J						
	5515 5659	2	U		77				
2	55154 762AD	2							BLADE, Wiper
3									MODULE, Wiper
	55156 374AC	1	J						
	55154 768AD	1	U		77				
4	6100 568	3							BOLT AND WASHER, Implement Attaching
5	55156 728AA	1							NOZZLE, Washer, Windshield
6	5096 346AA	2							GROMMET, Washer Reservoir
7									RESERVOIR, Washer
	5096 344AA	1							Single Pump
	5096 345AA	1							Double Pump
8	5096 347AA	1							CAP, Washer Reservoir Filler
9									PUMP, Washer, Windshield
	5096 343AA	1							Single Pump
		2							Double Pump
10	HWV00 532AB	1							HOSE 1FT, Windshield Washer, 5/32"
11	3671 410	1							TEE, Washer Hose
12	55156 742AA	1							CHECK VALVE, Washer
13	4805 409AA	2							CLIP, Washer Hose
-14	4883 521AA	1							NUT, Rear Wiper Motor
-15	4883 520AA	1							NOZZLE, Liftgate Washer
-16	5600 3982	1							PLUG, Sealing
-17	5515 4556	1							SPACER, Wiper Motor
-18	5600 3682	1							NUT, Hex Flange, M16

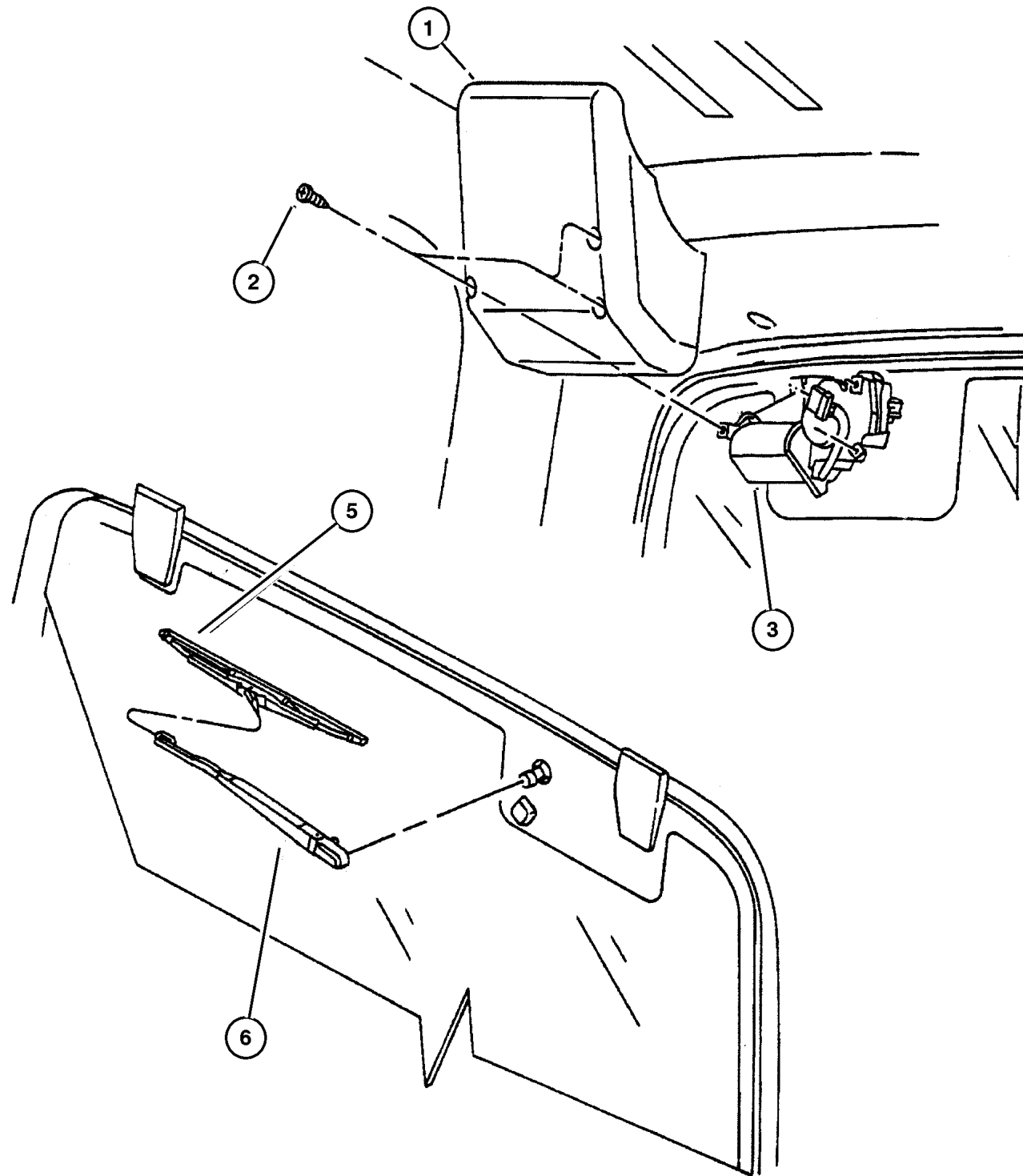


**JEEP WRANGLER (TJ)**

SERIES	LINE	BODY	ENGINE	TRANSMISSION
H = Sport	J = Wrangler 4WD	77 = 93.4 WB	ED1, ED0 = 2.4L DOHC	DGG, DGD = 32RH 3 Spd. Auto.
L = SE	U = Wrangler 4WD (RHD)		ERH = 4.0L Power Tech	DDD = 5 Speed HD Manual
M = X				DG0 = Auto. Trans.
P = Sahara				DBB = Manual Trans.
S = Rubicon				DDK = 5 Speed Manual

AR = Use as required - = Non illustrated part # = New this model year

## Rear Wiper System Figure 23D-305



ITEM	PART NUMBER	QTY	LINE	SERIES	BODY	ENGINE	TRANS	TRIM	DESCRIPTION
1	55156 660AD	1							COVER, Wiper Motor
2									SCREW, 164-18X.750 , (NOT SERVICED) (Not Serviced)
3	55156 278AA	1							MOTOR, Wiper
-4	5133 153AA	1							NUT, Rear Wiper Motor
5	55156 664AA	1							BLADE, Wiper
6									ARM, Wiper
	55156 663AA	1							
	5515 5659	2	U			77			
-7									GROMMET, Wiper Motor And Bracket
	5517 6464	1	J			78			
		1							
-8	4883 520AA	1							NOZZLE, Liftgate Washer
-9	55156 742AA	1							CHECK VALVE, Washer
-10	5600 3982	1							PLUG, Sealing
-11	6022 190	1							WASHER
-12	5515 4556	1							SPACER, Wiper Motor
-13	6500 165	1							NUT, Wiper Arm, Rear Arm Mounting
-14	6503 071	4							CLIP, Line&Hose, Rear Wiper Harness
-15	5133 193AA	1							SPACER, Rear Window Wiper

**JEEP WRANGLER (TJ)**

SERIES	LINE	BODY	ENGINE	TRANSMISSION
H = Sport	J = Wrangler 4WD	77 = 93.4 WB	ED1, ED0 = 2.4L DOHC	DGG, DGD = 32RH 3 Spd. Auto.
L = SE	U = Wrangler 4WD (RHD)		ERH = 4.0L Power Tech	DDD = 5 Speed HD Manual
M = X				DG0 = Auto. Trans.
P = Sahara				DBB = Manual Trans.
S = Rubicon				DDK = 5 Speed Manual

AR = Use as required - = Non illustrated part # = New this model year

January 6, 2004

# Group – 024

## Air Conditioning & Heater

### GROUP 24 - Air Conditioning & Heater

Illustration Title

Group-Fig. No.

#### Air Conditioner and Heater Units

Hevac Unit, LHD ..... Fig. 024-105

Hevac Unit, RHD ..... Fig. 024-110

#### Air Conditioner and Heater Plumbing

Hoses, Heater 2.4L Engine ..... Fig. 024-210

Hoses, Heater 4.0L Engine ..... Fig. 024-220

Plumbing, Hevac 2.4L Engine ..... Fig. 024-225

Plumbing, Hevac 4.0L Engine, LHD ..... Fig. 024-235

Plumbing, Hevac 4.0L Engine, RHD ..... Fig. 024-240

Seals, A/C Condenser ..... Fig. 024-245

#### Air Conditioner and Heater Controls

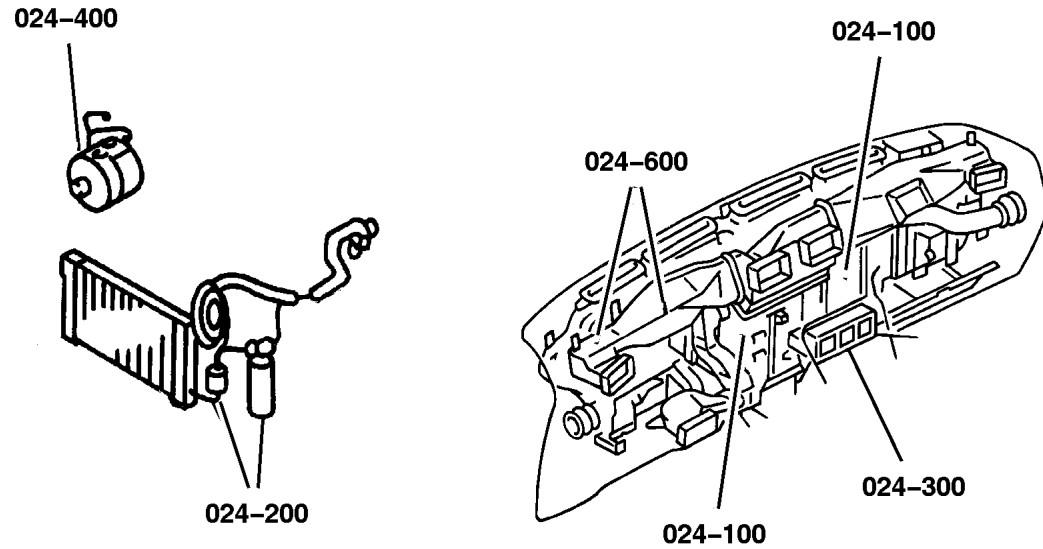
Control, Heater And A/c ..... Fig. 024-310

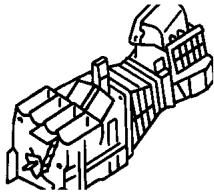
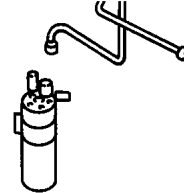
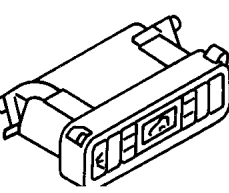
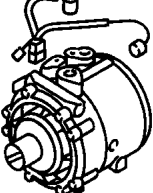
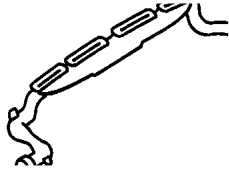
#### Air Conditioning Compressor

Compressor, Air Conditioning ..... Fig. 024-410

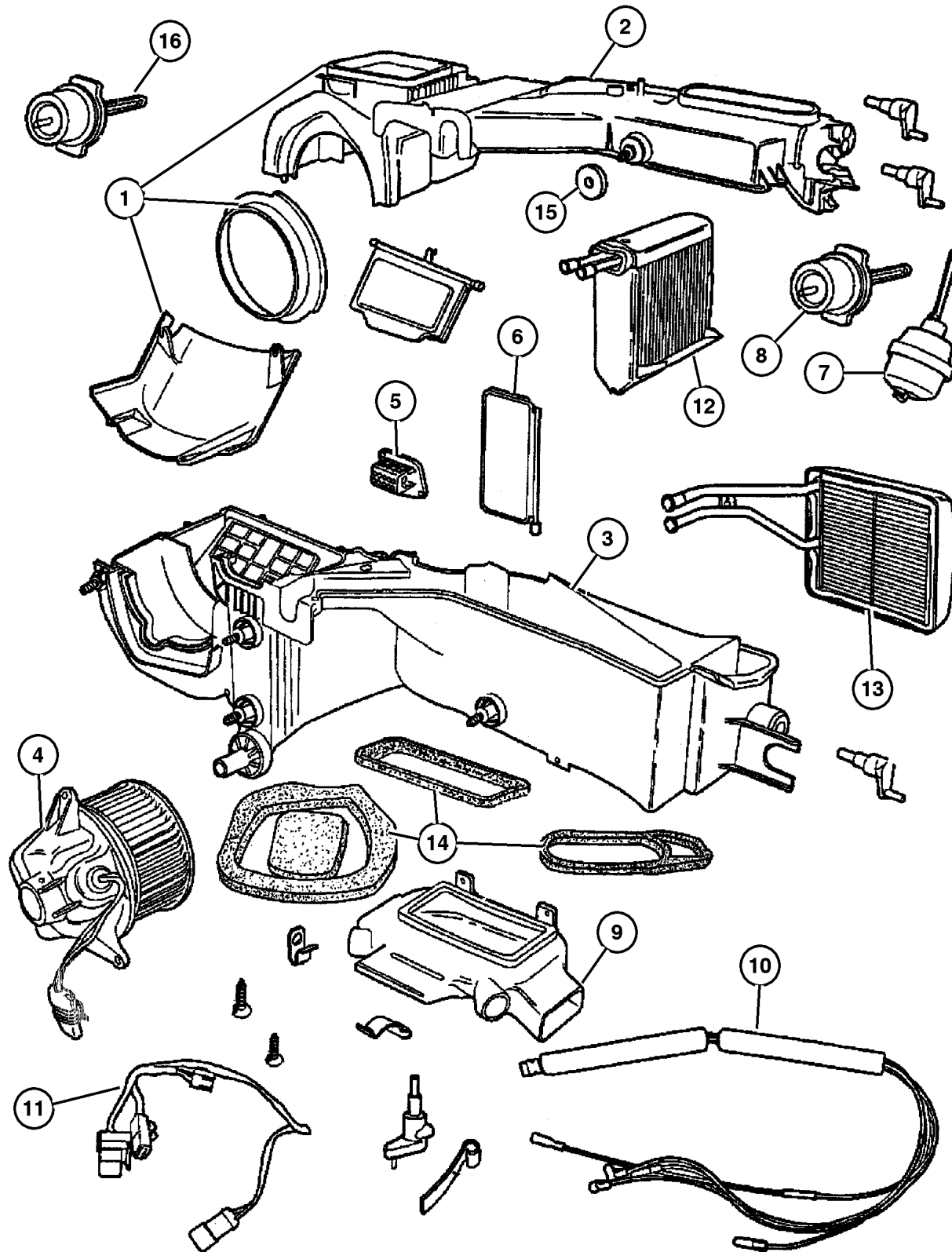
#### Air Ducts and Outlets

Ducts, Heater And A/c ..... Fig. 024-610



<p><b>024-100</b> Air Conditioner and Heater Units</p> 	<p><b>024-200</b> Air Conditioner and Heater Plumbing</p> 	<p><b>024-300</b> Air Conditioner and Heater Controls</p> 	<p><b>024-400</b> Air Conditioning Compressor</p> 
<p><b>024-600</b> Air Ducts and Outlets</p> 			

Hevac Unit, LHD  
Figure 024-105



ITEM	PART NUMBER	QTY	LINE	SERIES	BODY	ENGINE	TRANS	TRIM	DESCRIPTION
1	5073 172AA	1	J						HOUSING, Air Inlet
2	5073 175AA	1	J						HOUSING, A/C Upper
3	5073 176AA	1	J						HOUSING, A/C Lower
4	5066 553AA	1	J						MOTOR, Blower with Wheel
5	5066 552AA	1	J						RESISTOR, A/C Heater
6	5073 184AA	1	J						DOOR KIT, A/C And Heater, Includes Blend,Floor/Defrost,Panel Doors
7	5013 741AA	1	J						ACTUATOR, Blend Door
8	5073 181AA	1	J						ACTUATOR, A/C and Heater, Panel Door
9	5066 518AA	1	J						ACTUATOR, A/C and Heater, Floor and Defrost
10	5073 182AA	1	J						VACUUM HARNESS, Heater and A/C
11	5073 183AA	1	J						HARNESS
12	5073 178AA	1	J						EVAPORATOR, Air Conditioning
13	5073 180AA	1	J						HEATER KIT, Heater Core Assembly
14	5073 174AA	1	J						SEAL KIT, A/C And Heater Unit
15	5525 4848	4							WASHER, Sealing
16	5073 173AA	1	J						ACTUATOR, A/C and Heater, Recirculating

JEEP WRANGLER (TJ)

SERIES	LINE	BODY	ENGINE	TRANSMISSION
H = Sport	J = Wrangler 4WD	77 = 93.4 WB	ED1, ED0 = 2.4L DOHC	DGG, DGD = 32RH 3 Spd. Auto.
L = SE	U = Wrangler 4WD (RHD)		ERH = 4.0L Power Tech	DDD = 5 Speed HD Manual
M = X				DG0 = Auto. Trans.
P = Sahara				DBB = Manual Trans.
S = Rubicon				DDK = 5 Speed Manual

AR = Use as required - = Non illustrated part # = New this model year

January 6, 2004

Hevac Unit, RHD  
Figure 024-110

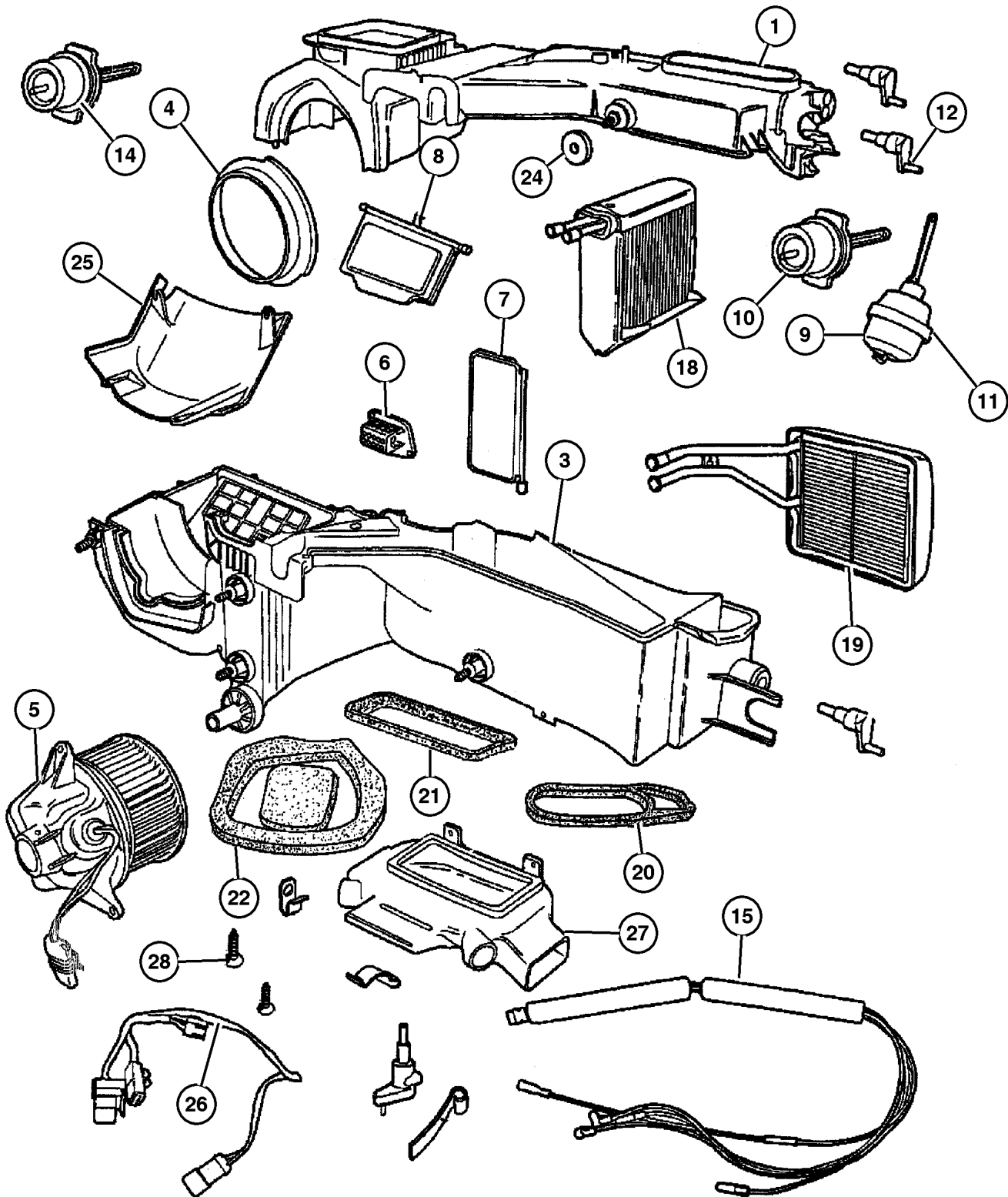
ITEM	PART NUMBER	QTY	LINE	SERIES	BODY	ENGINE	TRANS	TRIM	DESCRIPTION
1									HOUSING, Heater
	5013 734AA	1	U		77				Export
	5013 739AA	1	U		77				
-2	5013 733AA	1	U		77				HOUSING, A/C Upper
3	5013 738AA	1	U		77				HOUSING, A/C Lower
4	4864 951	1	U		77				RING
5	4864 956	1	U		77				BLOWER
6	4864 957	1	U		77				RESISTOR, Blower Motor
7	4897 611AA	1	U		77				DOOR, Blend Air
8	4864 993	1	U		77				DOOR, Fresh Air
9	4864 994	1	U		77				ACTUATOR, Vacuum
10	5016 597AA	1	U		77				ACTUATOR, Vacuum
11	5013 741AA	1	U		77				ACTUATOR, Blend Door
12	5013 743AA	1	U		77				ADAPTER, Blend Door, A/C and Heater
-13									BRACKET, Blend Door Adapter, A/C and Heater, Serviced with Housing, (NOT SERVICED) (Not Serviced)
14	4864 996	1	U		77				ACTUATOR, Vacuum
15	4864 997AC	1	U		77				VACUUM HARNESS, Heater and A/C
-16									HOSE AND VALVE, Vacuum
	55037 637AB	1	J			ER0			
	55037 638AB	1	U		77	ER0			
-17	4864 998AC	1	U		77				HARNESS, Heater Vacuum
18	4874 044AD	1	U						EVAPORATOR KIT, A/C
19	4874 046	1	U		77				CORE, Heater
20	4874 066	1	U		77				SEAL, Defroster Duct
21	4874 068	1	U		77				SEAL, Vent
22	4874 070AB	1	U		77				SEAL KIT, A/C And Heater Unit
-23	4874 072AB	1	U		77				SEAL KIT, A/C And Heater Unit
24	5525 4848	4							WASHER, Sealing
25	4874 079	1	U		77				COVER, Recirculating Valve
26	5013 744AA	1	U		77				WIRING, Air Conditioning Module
27	4874 089	1	U		77				DUCT, Floor Distribution
28									SCREW, Hex Head, M4.8-1.59x19, (NOT SERVICED) (Not Serviced)
-29	4644 127	1	U		77				CLIP, Air Conditioning, 25mm Diameter

JEEP WRANGLER (TJ)

SERIES	LINE	BODY	ENGINE	TRANSMISSION
H = Sport	J = Wrangler 4WD	77 = 93.4 WB	ED1, ED0 = 2.4L DOHC	DGG, DGD = 32RH 3 Spd. Auto.
L = SE	U = Wrangler 4WD (RHD)		ERH = 4.0L Power Tech	DDD = 5 Speed HD Manual
M = X				DGO = Auto. Trans.
P = Sahara				DBB = Manual Trans.
S = Rubicon				DDK = 5 Speed Manual

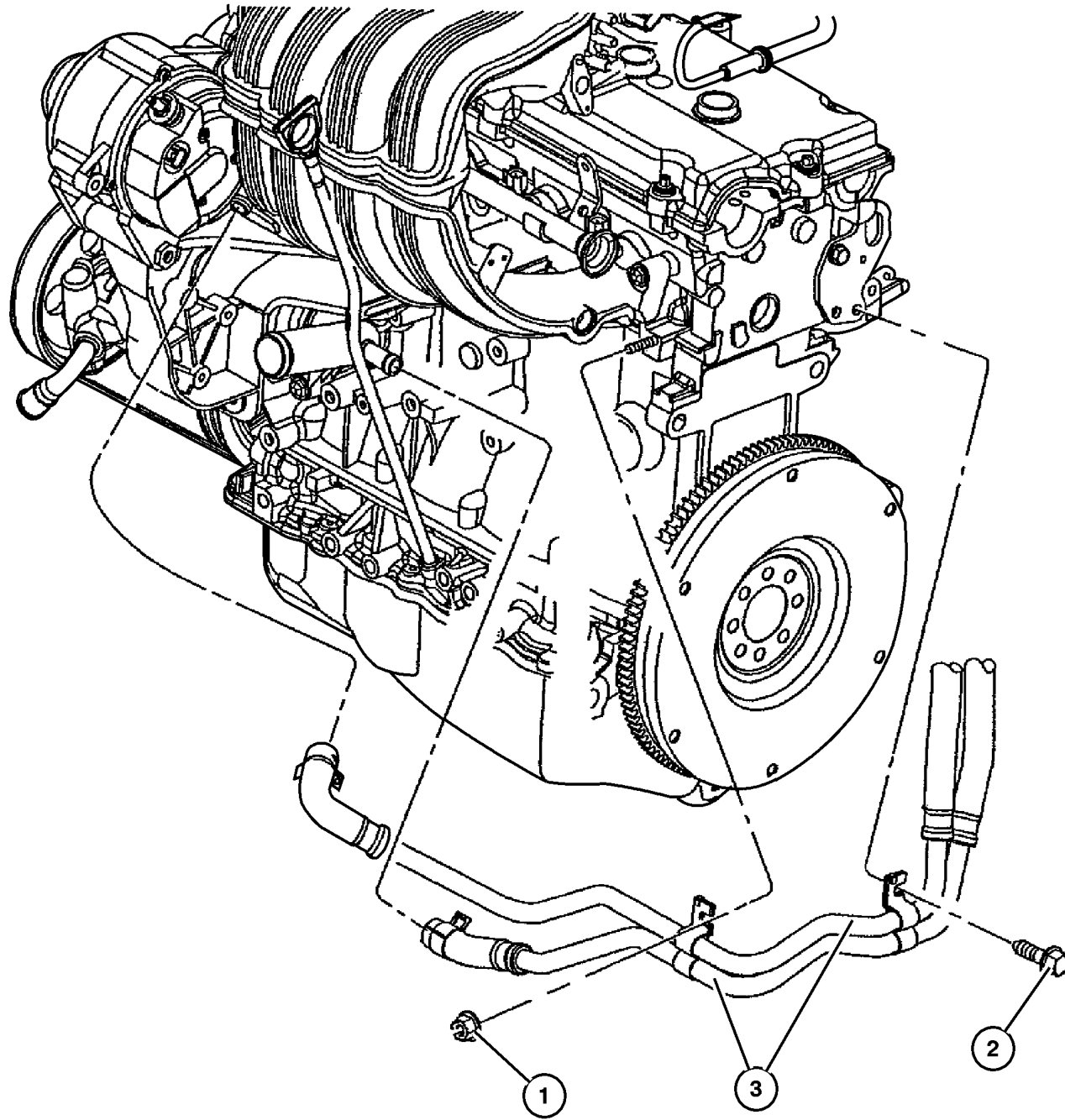
AR = Use as required - = Non illustrated part # = New this model year

January 6, 2004



Hoses, Heater 2.4L Engine  
Figure 024-210

ITEM	PART NUMBER	QTY	LINE	SERIES	BODY	ENGINE	TRANS	TRIM	DESCRIPTION
1	6101 445	2	J						NUT AND WASHER, Hex Nut-Coned Washer, M8 x 1.25
2	6505 178AA	1				ED0			SCREW, Hex Head
3	55037 591AD	1	J			ED0			TUBE & HOSE, Supply & Return



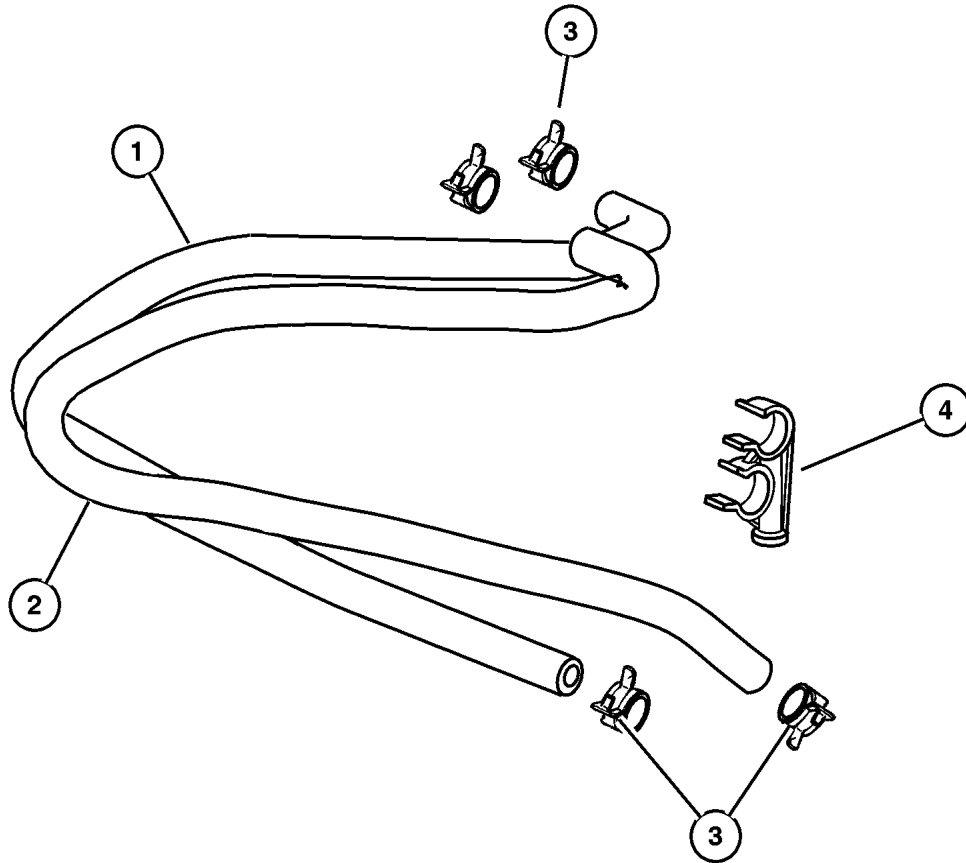
JEEP WRANGLER (TJ)

SERIES	LINE	BODY	ENGINE	TRANSMISSION
H = Sport	J = Wrangler 4WD	77 = 93.4 WB	ED1, ED0 = 2.4L DOHC	DGG, DGD = 32RH 3 Spd. Auto.
L = SE	U = Wrangler 4WD (RHD)		ERH = 4.0L Power Tech	DDD = 5 Speed HD Manual
M = X				DG0 = Auto. Trans.
P = Sahara				DBB = Manual Trans.
S = Rubicon				DDK = 5 Speed Manual

AR = Use as required - = Non illustrated part # = New this model year

January 6, 2004

## Hoses, Heater 4.0L Engine Figure 024-220



ITEM	PART NUMBER	QTY	LINE	SERIES	BODY	ENGINE	TRANS	TRIM	DESCRIPTION
Note: Sales Code ER0 = 4.0L Gas Engine									
1	55038 223AC	1	J			ER0			HOSE, Heater Return
	55036 382AD	1	U		77	ER0			
2	55038 128AC	1	J			ER0			HOSE, Heater Supply
	55036 380AC	1	U		77	ER0			
3									CLAMP, Heater Hose, (NOT SERVICED) (Not Serviced)
4	5503 5933	1	J			ED0, ER0			BRACKET, Hose
		2	U		77	ED0, ER0			
-5	55037 293AB	1	U		77				BRACKET, Hose
-6	HHR00 034AA	1							HOSE 1FT, Heater, 3/4"

**JEEP WRANGLER (TJ)**

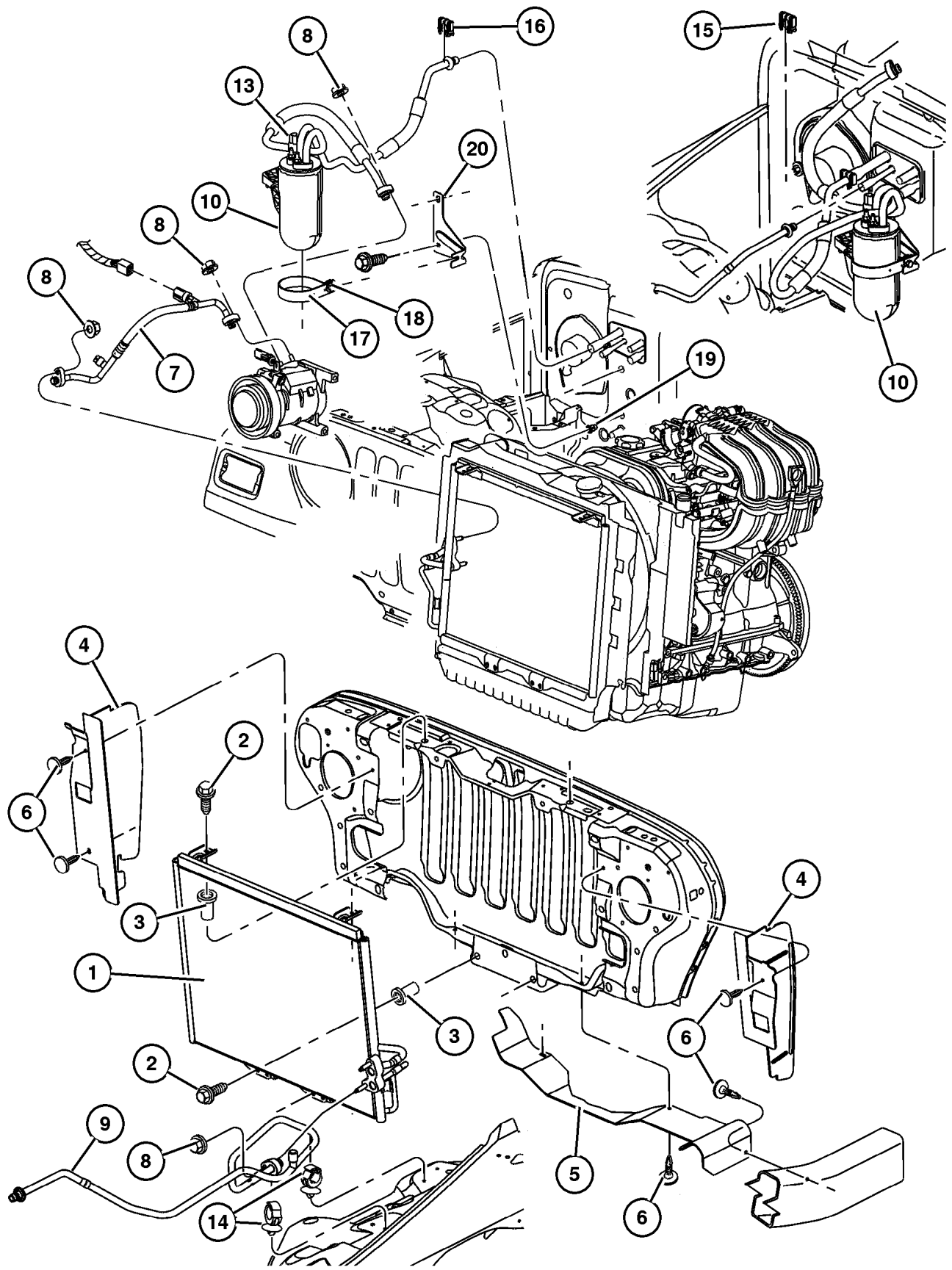
SERIES	LINE	BODY	ENGINE	TRANSMISSION
H = Sport	J = Wrangler 4WD	77 = 93.4 WB	ED1, ED0 = 2.4L DOHC	DGG, DGD = 32RH 3 Spd. Auto.
L = SE	U = Wrangler 4WD (RHD)		ERH = 4.0L Power Tech	DDD = 5 Speed HD Manual
M = X				DG0 = Auto. Trans.
P = Sahara				DBB = Manual Trans.
S = Rubicon				DDK = 5 Speed Manual

AR = Use as required - = Non illustrated part # = New this model year

January 6, 2004

Plumbing, Hevac 2.4L Engine  
Figure 024-225

ITEM	PART NUMBER	QTY	LINE	SERIES	BODY	ENGINE	TRANS	TRIM	DESCRIPTION
1	55037 618AE	1	J		77				CONDENSER, Air Conditioning
2	0154 892AA	4							BOLT, Hex Head, .25-20x.75
3	J400 3120	4							WELL NUT, .25-20x.63
4									SEAL, Condenser
	55036 866AC	1							Right
	5503 6867	1							Left
5	5503 6369	1							SEAL, Condenser, Lower
6	6030 441	3				ED0, ER0			PIN, Retainer
7	55037 579AB	1	J			ED0			LINE, A/C Discharge, After 10-2-02
8	6506 152AA	1							NUT AND CONED WASHER, Hex, M8x1.25
9	55037 706AC	1	J			ED0			LINE, A/C Liquid, Up To 10-2-02
10	55037 584AH	1	J			ED0			ACCUMULATOR, Suction Line, After 10-2-02
-11	5012 348AA	1	J		77	ED0			O RING, A/C Suction Line
-12	4796 294	1	J			ED0			O RING KIT, Quick Connect
13	5096 126AA	1	J			ED0			SWITCH KIT, A/C - Pressure
14	5503 6022	2							CLIP, A/C Liquid Line
15	4596 153	1							CLIP, A/C Quick Disconnect
16	4596 152	1							CLIP, A/C Quick Disconnect
17	55037 696AA	1							BAND, Accumulator Retaining
18	6101 442	4							U-NUT, M6 x 1.00, M6x1.00
19	6503 245	2							RIVET
20	5503 6304	1	U		77				BRACKET, Accumulator
-21	4897 617AA	1	J			ED0			SWITCH, A/C High Pressure Cut Off
-22	5101 886AA	1	J			ED0			ORIFICE, Liquid Line



JEEP WRANGLER (TJ)

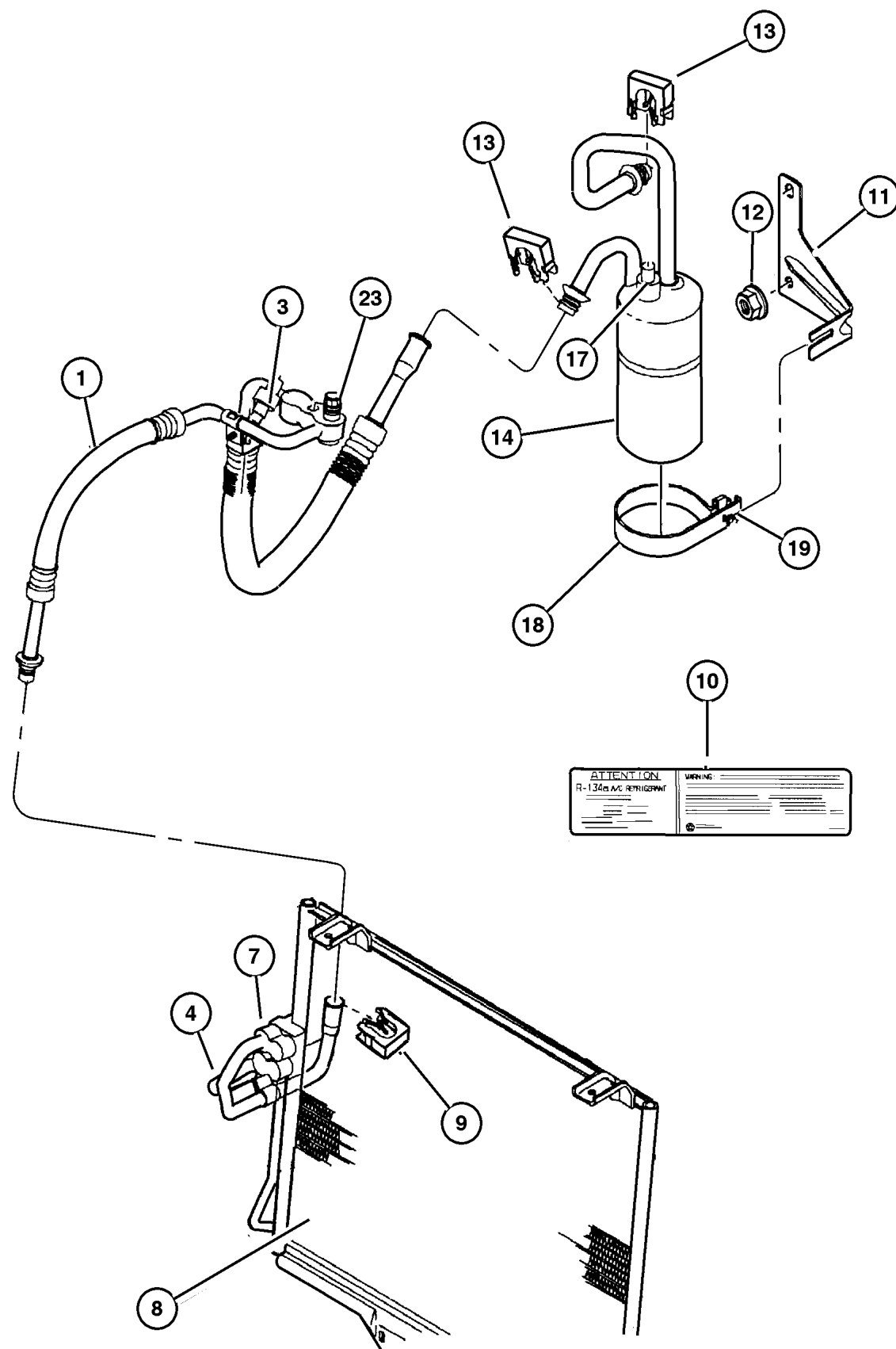
SERIES	LINE	BODY	ENGINE	TRANSMISSION
H = Sport	J = Wrangler 4WD	77 = 93.4 WB	ED1, ED0 = 2.4L DOHC	DGG, DGD = 32RH 3 Spd. Auto.
L = SE	U = Wrangler 4WD (RHD)		ERH = 4.0L Power Tech	DDD = 5 Speed HD Manual
M = X				DG0 = Auto. Trans.
P = Sahara				DBB = Manual Trans.
S = Rubicon				DDK = 5 Speed Manual

AR = Use as required - = Non illustrated part # = New this model year

January 6, 2004



Plumbing, Hevac 4.0L Engine, LHD  
Figure 024-235



ITEM	PART NUMBER	QTY	LINE	SERIES	BODY	ENGINE	TRANS	TRIM	DESCRIPTION
Note: Sales Code ER0 = 4.0L Gas Engine									
1	55037 599AE	1				ER0			LINE, A/C Discharge, After 10-2-02
-2	4796 565	2				ER0			O RING, A/C Line
3	5096 126AA	1	J			ER0			SWITCH KIT, A/C - Pressure
4	55037 581AE	1	J			ER0			LINE, A/C Liquid, After 10-2-02
-5	6036 153AA	1			77	ER0			NUT, Hex, .437-14, A/C Line to Engine Block
-6	4796 565	1	J			ER0			O RING, A/C Line
7	5503 6022	2							CLIP, A/C Liquid Line
8	55037 618AE	1	J						CONDENSER, Air Conditioning, After 10-2-02
9	4596 152	1	J						CLIP, A/C Quick Disconnect
10	55037 555AC	1							LABEL, Refrigerant
11	5503 6303	1	J			ER0			BRACKET, Accumulator
12									NUT, (NOT SERVICED) (Not Serviced)
13	4596 152	1	J						CLIP, A/C Quick Disconnect
14	55037 600AC	1	J			ER0			ACCUMULATOR, Suction Line
-15	55037 602AD	1	J			ER0			LINE, A/C Suction
-16	4796 564	2	J			ER0			O RING, A/C Line
17	5015 872AC	1	J		77	ER0			SWITCH, A/C Low Pressure Cut Off
18	55037 696AA	1							BAND, Accumulator Retaining
19									SCREW, (NOT SERVICED) (Not Serviced)
-20	4897 617AA	1				ER0			SWITCH, A/C High Pressure Cut Off
-21	55037 529AA	1				ER0			BRACKET, A/C Line
-22	5101 886AA	1	J			ER0			ORIFICE, Liquid Line
23	4882 335	1	J			ER0			CAP, A/C Check Valve

JEEP WRANGLER (TJ)

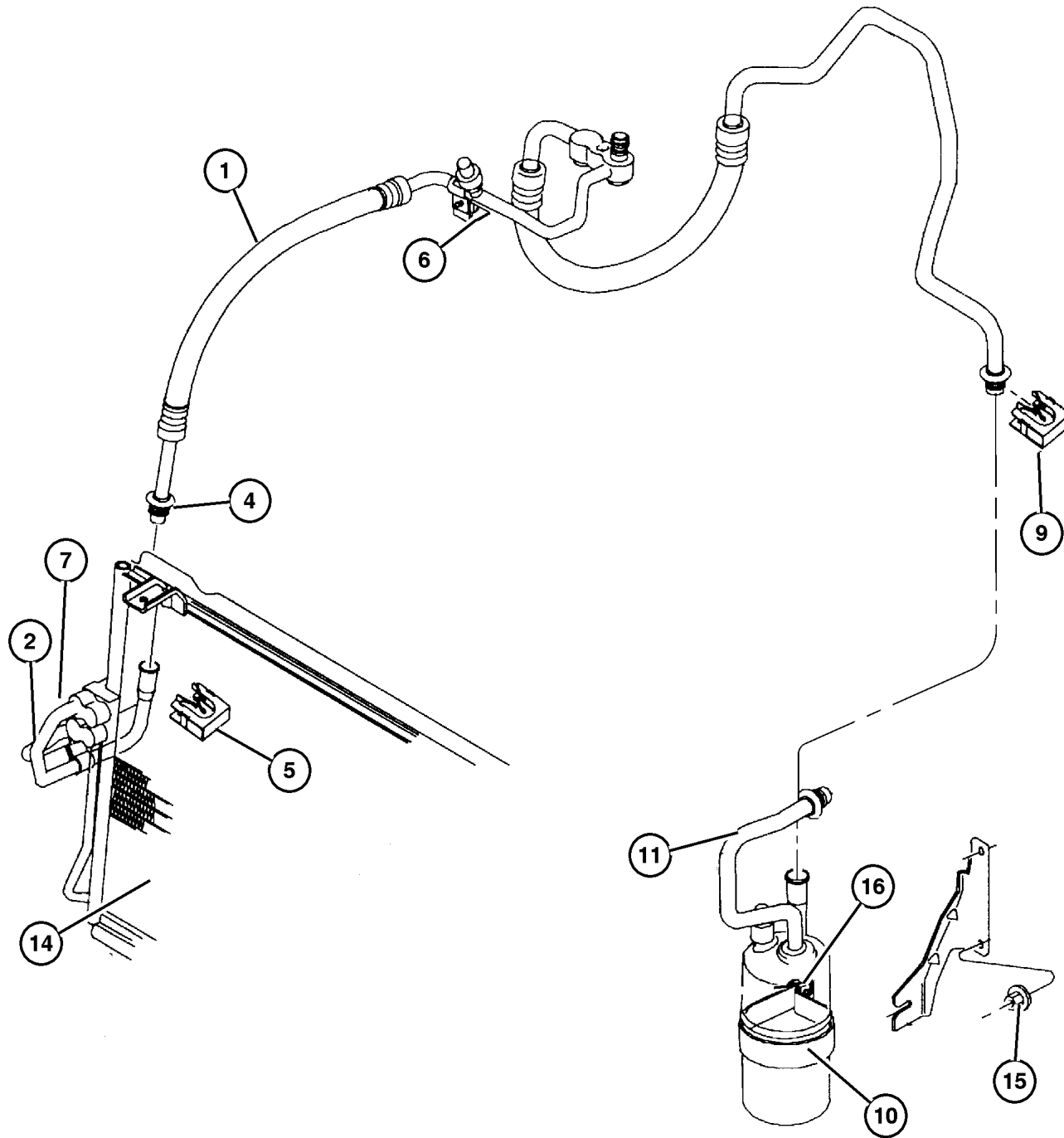
SERIES	LINE	BODY	ENGINE	TRANSMISSION
H = Sport	J = Wrangler 4WD	77 = 93.4 WB	ED1, ED0 = 2.4L DOHC	DGG, DGD = 32RH 3 Spd. Auto.
L = SE	U = Wrangler 4WD (RHD)		ERH = 4.0L Power Tech	DDD = 5 Speed HD Manual
M = X				DG0 = Auto. Trans.
P = Sahara				DBB = Manual Trans.
S = Rubicon				DDK = 5 Speed Manual

AR = Use as required - = Non illustrated part # = New this model year

January 6, 2004

Plumbing, Hevac 4.0L Engine, RHD  
Figure 024-240

ITEM	PART NUMBER	QTY	LINE	SERIES	BODY	ENGINE	TRANS	TRIM	DESCRIPTION
Note: Sales Code ER0 = 4.0L Gas Engine									
1	55037 599AE	1				ER0			LINE, A/C Discharge
2	55037 583AD	1	U		77	ER0			LINE, A/C Liquid
-3	6036 153AA	1			77	ER0			NUT, Hex, .437-14, A/C Line to Engine Block
4	4796 565	2				ER0			O RING, A/C Line
5	5503 6022	2							CLIP, A/C Liquid Line
6	55036 782AB	1	U		77	ER0			RETAINER, A/C Supply Line
7	55037 582AD	1	U		77	ER0			TUBE, A/C Liquid Line
-8	4596 152	2	U		77				CLIP, A/C Quick Disconnect
9	5503 6304	1	U		77				BRACKET, Accumulator
10	55037 696AA	1							BAND, Accumulator Retaining
11	55037 585AA	1	U		77	ER0			ACCUMULATOR, Suction Line
-12	55037 601AB	1	U		77	ER0			LINE, A/C Suction
-13	4596 152	2	U		77				CLIP, A/C Quick Disconnect
14	55037 619AE	1	U		77	ER0			CONDENSER, Air Conditioning
15									NUT, (NOT SERVICED) (Not Serviced)
16									SCREW, (NOT SERVICED) (Not Serviced)
-17	4897 617AA	1				ER0			SWITCH, A/C High Pressure Cut Off
-18	5101 886AA	1	U		77	ER0			ORIFICE, Liquid Line



JEEP WRANGLER (TJ)

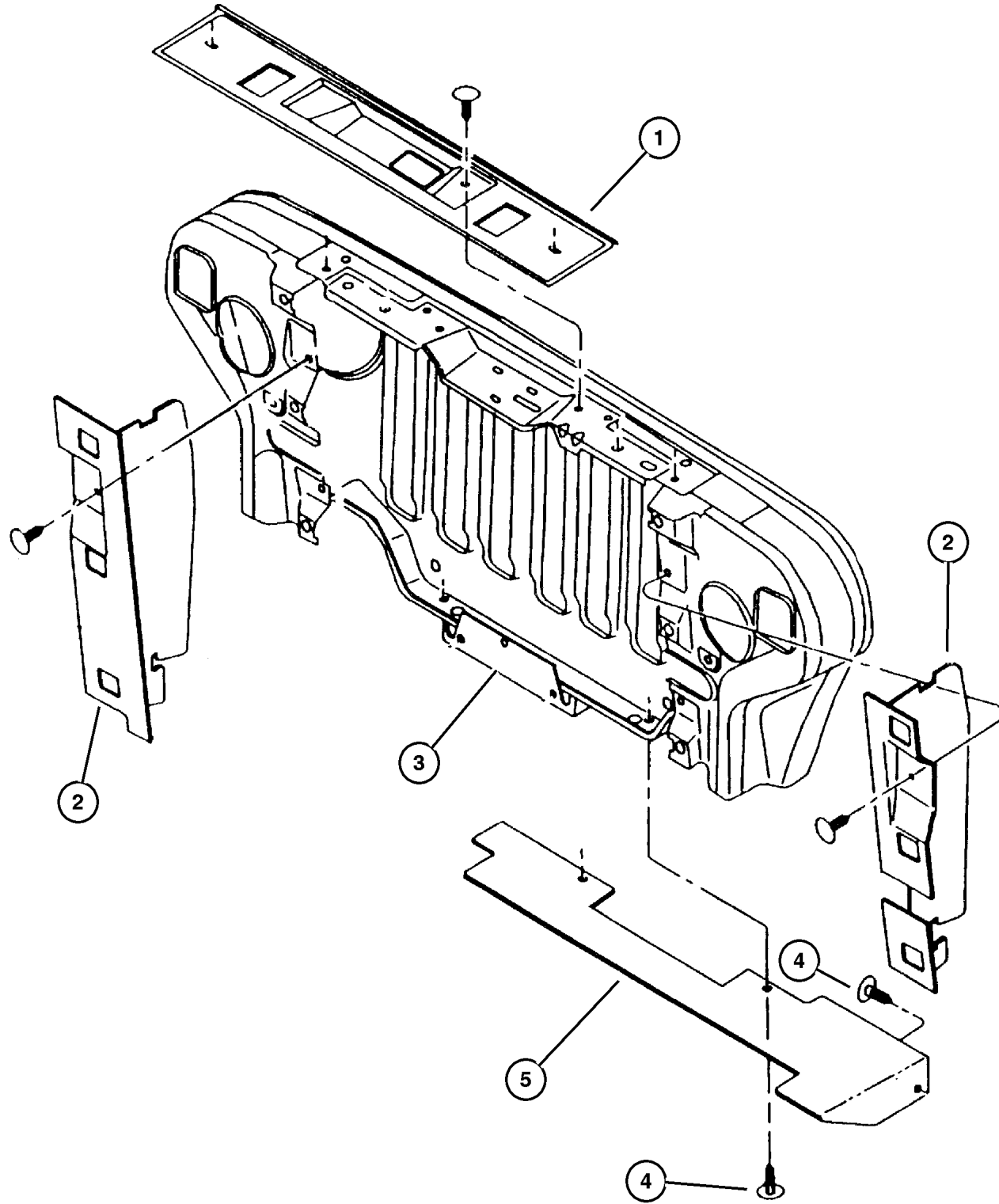
SERIES	LINE	BODY	ENGINE	TRANSMISSION
H = Sport	J = Wrangler 4WD	77 = 93.4 WB	ED1, ED0 = 2.4L DOHC	DGG, DGD = 32RH 3 Spd. Auto.
L = SE	U = Wrangler 4WD (RHD)		ERH = 4.0L Power Tech	DDD = 5 Speed HD Manual
M = X				DG0 = Auto. Trans.
P = Sahara				DBB = Manual Trans.
S = Rubicon				DDK = 5 Speed Manual

AR = Use as required - = Non illustrated part # = New this model year

January 6, 2004

Seals, A/C Condenser  
Figure 024-245

ITEM	PART NUMBER	QTY	LINE	SERIES	BODY	ENGINE	TRANS	TRIM	DESCRIPTION
1	5503 6369	1							SEAL, Condenser
2	55036 866AC	1							SEAL, Condenser
3	5503 6867	1							SEAL, Condenser, Condenser to Grille
4	6030 441	12							PIN, Retainer, Push
5	5503 6369	1							SEAL, Condenser, Lower



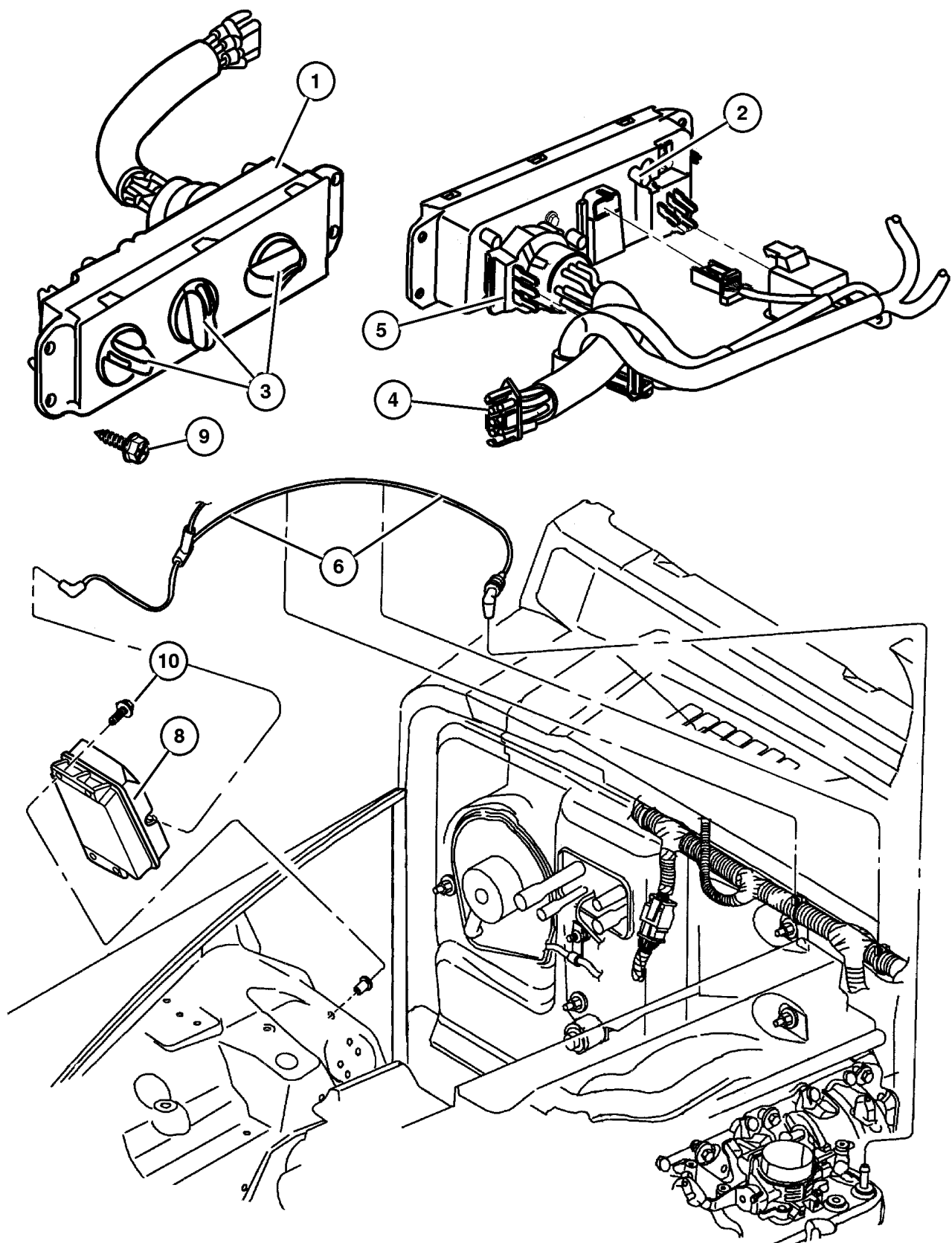
<b>JEEP WRANGLER (TJ)</b>				
SERIES	LINE	BODY	ENGINE	TRANSMISSION
H = Sport	J = Wrangler 4WD	77 = 93.4 WB	ED1, ED0 = 2.4L DOHC	DGG, DGD = 32RH 3 Spd. Auto.
L = SE	U = Wrangler 4WD (RHD)		ERH = 4.0L Power Tech	DDD = 5 Speed HD Manual
M = X				DG0 = Auto. Trans.
P = Sahara				DBB = Manual Trans.
S = Rubicon				DDK = 5 Speed Manual

AR = Use as required - = Non illustrated part # = New this model year

January 6, 2004

**Control, Heater And A/c  
Figure 024-310**

ITEM	PART NUMBER	QTY	LINE	SERIES	BODY	ENGINE	TRANS	TRIM	DESCRIPTION
Note: Sales Code ED0 = 2.4L Gas Engine									
Note: Sales Code ER0 = 4.0L Gas Engine									
1	55037 612AA	1	J						CONTROL, A/C And Heater With [HA0]
	55037 611AA	1	J						With [HC0]
	55037 472AB	1	U		77				With [HC0]
	55037 473AB	1	U		77				With [HA0]
2	5013 829AA	1	U		77				BULB, Heater and A/C Control
3	5011 218AC	1	J						KNOB, A/C And Heater Control - Rotary
4	5013 830AA	1	U		77				HARNESS, A/C And Heater Vacuum With [HC0]
	5013 831AA	1	U		77				With [HA0]
5	5013 832AA	1	U		77				SWITCH, A/C and Heater Vacuum With [HC0]
	5013 833AA	1	U		77				With [HA0]
6	55037 576AC	1	J			ED0			HOSE AND VALVE, Vacuum
	55037 637AB	1	J			ER0			
-7	5503 7314	1	J		77				CLIP, Vacuum Harness
8	5503 5614	1							RESERVOIR, Vacuum, Cruise Control
9	6034 205	2							SCREW, Pan Head, .19-32x.625
10									SCREW, M4.2x1.69x19.05, (NOT SERVICED) (Not Serviced)



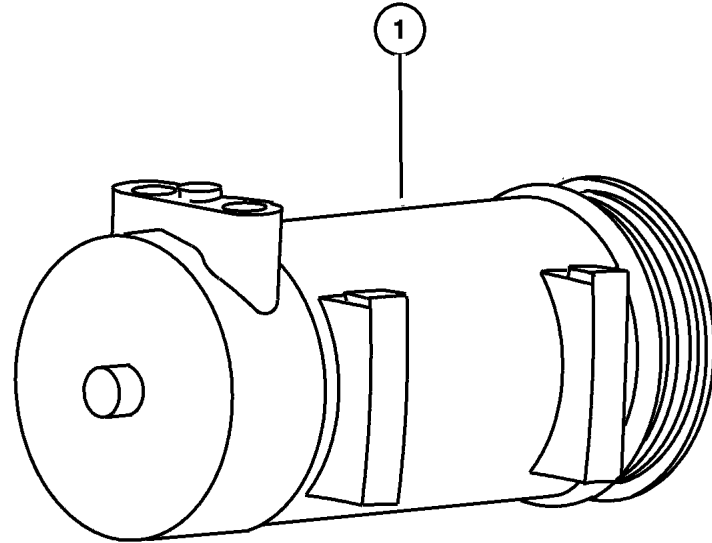
**JEEP WRANGLER (TJ)**

SERIES	LINE	BODY	ENGINE	TRANSMISSION
H = Sport	J = Wrangler 4WD	77 = 93.4 WB	ED1, ED0 = 2.4L DOHC	DGG, DGD = 32RH 3 Spd. Auto.
L = SE	U = Wrangler 4WD (RHD)		ERH = 4.0L Power Tech	DDD = 5 Speed HD Manual
M = X				DG0 = Auto. Trans.
P = Sahara				DBB = Manual Trans.
S = Rubicon				DDK = 5 Speed Manual

AR = Use as required - = Non illustrated part # = New this model year

January 6, 2004

**Compressor, Air Conditioning  
Figure 024-410**



ITEM	PART NUMBER	QTY	LINE	SERIES	BODY	ENGINE	TRANS	TRIM	DESCRIPTION
Note: Sales Code ED0 = 2.4L Gas Engine									
Note: Sales Code ER0 = 4.0L Gas Engine									
1									COMPRESSOR, Air Conditioning
	55037 578AC	1				ED0			
	55037 617AD	1				ER0			
-2	5014 092AA	1				ED0			CLUTCH, A/C Compressor, Shim Package
-3	5003 681AA	1				ED0			COIL, Air Conditioning Clutch
-4	4720 834	1				ED0			PULLEY HUB KIT, A/C Compressor
-5	5014 093AA	1				ED0			MANIFOLD KIT, A/C Compressor
-6	5264 457	1				ED0			BOLT KIT, A/C Compressor Manifold
-7									SEAL, Manifold To Compressor
	4728 854	1				ED0			
		1				ER0			
-8	5264 454	1				ED0			SNAP RING KIT, A/C Clutch
-9	6507 372AA	2				ED0			STUD, Double Ended, Compressor Mounting

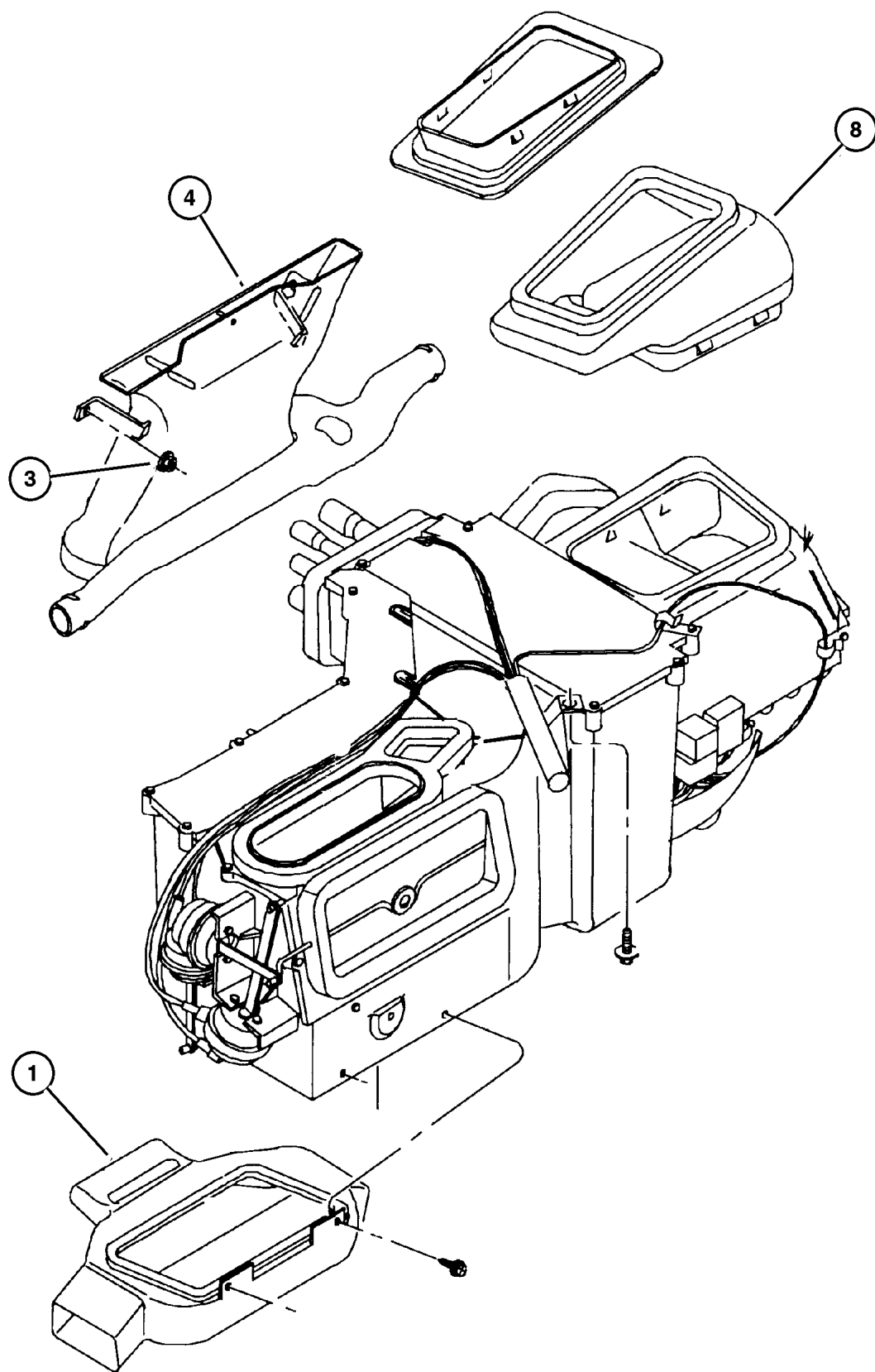
**JEEP WRANGLER (TJ)**

SERIES	LINE	BODY	ENGINE	TRANSMISSION
H = Sport	J = Wrangler 4WD	77 = 93.4 WB	ED1, ED0 = 2.4L DOHC	DGG, DGD = 32RH 3 Spd. Auto.
L = SE	U = Wrangler 4WD (RHD)		ERH = 4.0L Power Tech	DDD = 5 Speed HD Manual
M = X				DG0 = Auto. Trans.
P = Sahara				DBB = Manual Trans.
S = Rubicon				DDK = 5 Speed Manual

AR = Use as required - = Non illustrated part # = New this model year

January 6, 2004

Ducts, Heater And A/c  
Figure 024-610



ITEM	PART NUMBER	QTY	LINE	SERIES	BODY	ENGINE	TRANS	TRIM	DESCRIPTION
1	4874 089	1	U		77				DUCT, Floor Distribution
-2									DUCT, A/C Outlet
	55037 596AB	1	J						
	55037 598AB	1	U		77				
3	6100 839	2							NUT, Push, M5
4									DUCT, Door Demister
	5511 5576	1	J		77				Right
		1	U		77				Right
	5511 5577	1	J		77				Left
		1	U		77				Left
-5									ADAPTER, Demister
	55037 640AA	1	J		77				Right
		1	U		77				Right
	55037 641AA	1	J		77				Left
		1	U		77				Left
-6	5511 5161	1	J						DUCT, Defroster, Demister
-7	5503 6468	1	U		77				DUCT, Demister, Demister
8									DUCT, Fresh Air
	55037 540AA	1	J						
	55037 541AA	1	U		77				
-9	55036 467AB	1	U		77				DUCT, Fresh Air Intake
-10									OUTLET, Air Conditioning & Heater
	5DP5 4XDV	1	J		77				[DV], Right
		1	U		77				[DV], Right
	5DP5 4ZJ3	1	J		77				[J3], Right
		1	U		77				[J3], Right
	5DP5 5XDV	1	J		77				[DV], Left
		1	U		77				[DV], Left
	5DP5 5ZJ3	1	J		77				[J3], Left
		1	U		77				[J3], Left

JEEP WRANGLER (TJ)

SERIES	LINE	BODY	ENGINE	TRANSMISSION
H = Sport	J = Wrangler 4WD	77 = 93.4 WB	ED1, ED0 = 2.4L DOHC	DGG, DGD = 32RH 3 Spd. Auto.
L = SE	U = Wrangler 4WD (RHD)		ERH = 4.0L Power Tech	DDD = 5 Speed HD Manual
M = X				DG0 = Auto. Trans.
P = Sahara				DBB = Manual Trans.
S = Rubicon				DDK = 5 Speed Manual

AR = Use as required - = Non illustrated part # = New this model year

January 6, 2004

# Group – 025

## Emission Systems

### GROUP 25 - Emission Systems

Illustration Title

Group-Fig. No.

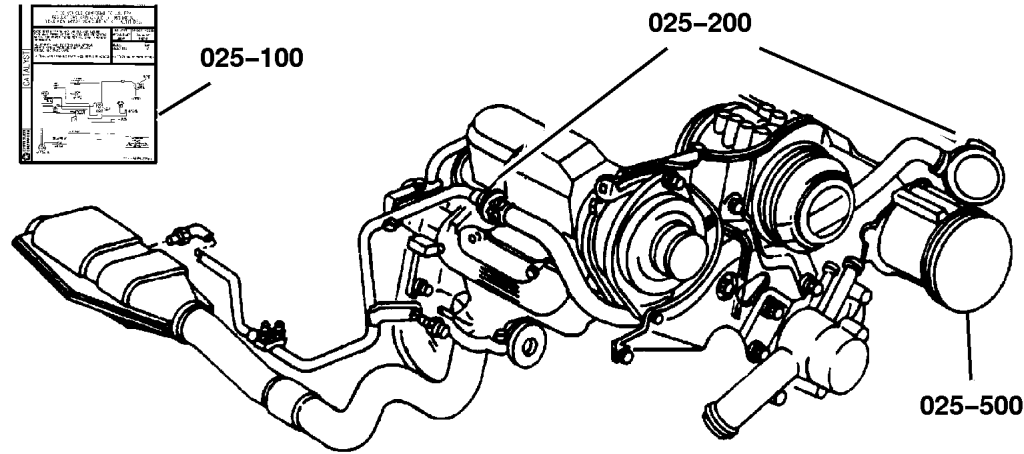
#### Vacuum Canister


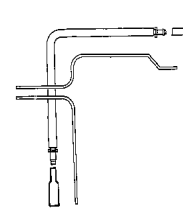
Vacuum Canister, 2.4 (ED1), 4.0 (ERH) ..... Fig. 025-310

#### Emission Harness

Emission Control Vacuum Harness, 2.4 (EP1), 4.0 (ERH) ..... Fig. 025-410

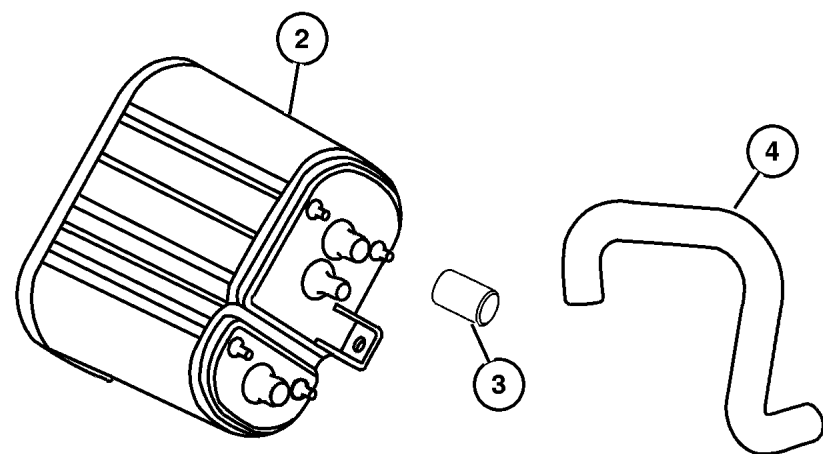
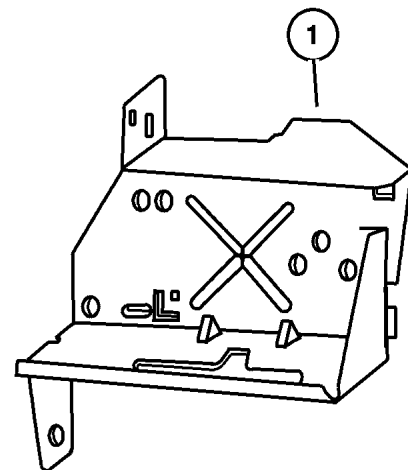
Leak Detection Pump, 2.4 (ED1), 4.0 (ERH) ..... Fig. 025-420



<p><b>025-300</b> Vacuum Canister</p> 	<p><b>025-400</b> Emission Harness</p> 		
---	--	--	--

Vacuum Canister, 2.4 (ED1), 4.0 (ERH)  
Figure 025-310

ITEM	PART NUMBER	QTY	LINE	SERIES	BODY	ENGINE	TRANS	TRIM	DESCRIPTION
Note:[ED1]= All 2.4 Gas Engines,[ ERO]= All 4.0 Gas Engines.									
1	52109 504AD	1							BRACKET, Vapor Canister
2	52109 503AB	1							CANISTER, Vapor
3	52059 544AA	1							CAP, Vapor Canister
4	52059 518AB	1							HOSE, Canister to LDP
-5	6101 447	4							NUT, [M8X1.256101447] , Bracket to Body
-6	6503 951	4							STUD, M6X1.00X.250-14X30.00
-7	4707 091	1				77			CLIP, Wiring, Canister wiring
-8	52059 694AA	1							CLIP, Vapor Canister Hose
-9	52059 521AE	1							HOSE, Flow Valve to Canister [NA1]
-10	52059 579AA	1							HOSE, Filter to Canister, [NA1]



JEEP WRANGLER (TJ)

SERIES	LINE	BODY	ENGINE	TRANSMISSION
H = Sport	J = Wrangler 4WD	77 = 93.4 WB	ED1, ED0 = 2.4L DOHC	DGG, DGD = 32RH 3 Spd. Auto.
L = SE	U = Wrangler 4WD (RHD)		ERH = 4.0L Power Tech	DDD = 5 Speed HD Manual
M = X				DG0 = Auto. Trans.
P = Sahara				DBB = Manual Trans.
S = Rubicon				DDK = 5 Speed Manual

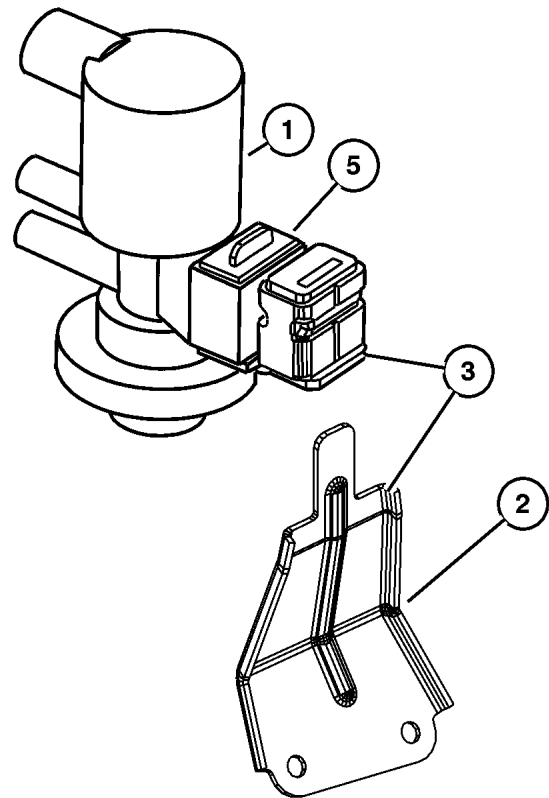
AR = Use as required - = Non illustrated part # = New this model year

January 6, 2004



**Emission Control Vacuum Harness, 2.4 (EP1), 4.0 (ERH)  
Figure 025-410**

ITEM	PART NUMBER	QTY	LINE	SERIES	BODY	ENGINE	TRANS	TRIM	DESCRIPTION
NOTE:[ ED1]=All 2.4L Gas Engines [ ER0]=All 4.0L Engines, [ DDQ]= Manual Transmissions									
1	4669 475AB	1				ED1, ERH			SOLENOID, Duty Cycle Purge
2	52059 549AA	1				ED1, ERH			BRACKET, Duty Cycle Purge Solenoid
3	5003 974AA	1				ED1, ERH			BRACKET PACKAGE, DCP, Includes Bracket And Bushings
-4									HARNES, Vacuum Canister Purge, (NOT REQUIRED)
5	5303 0987	1				ED1, ERH			BUSHING, Isolator



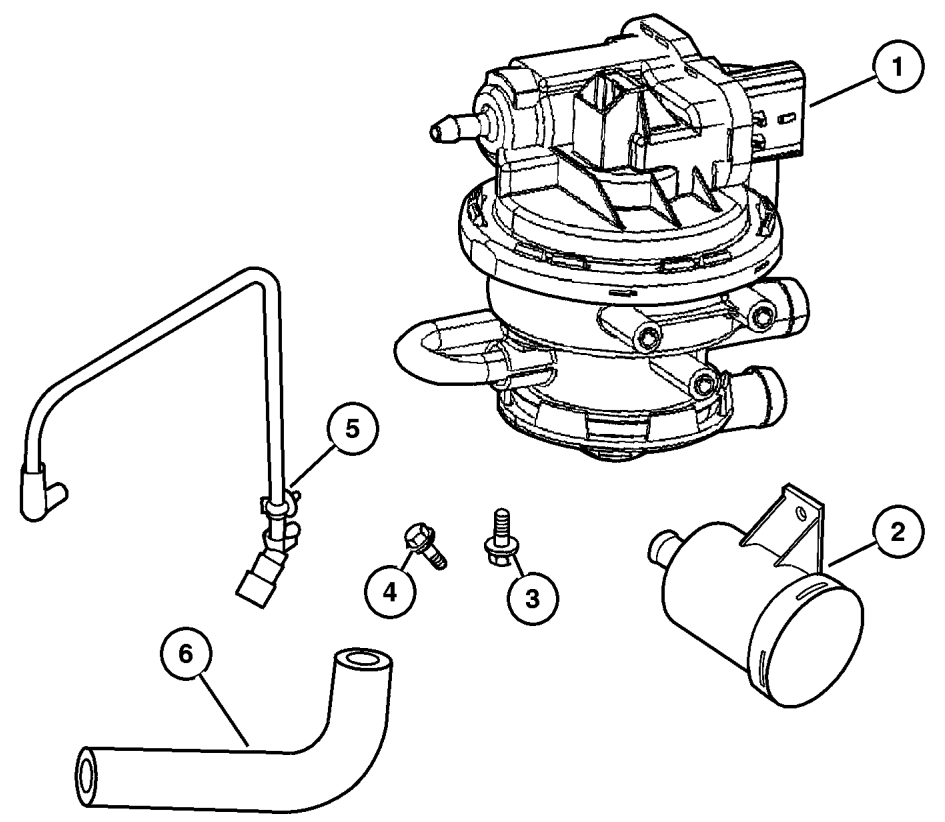
<b>JEEP WRANGLER (TJ)</b>				
SERIES	LINE	BODY	ENGINE	TRANSMISSION
H = Sport	J = Wrangler 4WD	77 = 93.4 WB	ED1, ED0 = 2.4L DOHC	DGG, DGD = 32RH 3 Spd. Auto.
L = SE	U = Wrangler 4WD (RHD)		ERH = 4.0L Power Tech	DDD = 5 Speed HD Manual
M = X				DG0 = Auto. Trans.
P = Sahara				DBB = Manual Trans.
S = Rubicon				DDK = 5 Speed Manual

AR = Use as required - = Non illustrated part # = New this model year

January 6, 2004

**Leak Detection Pump, 2.4 (ED1), 4.0 (ERH)  
Figure 025-420**

ITEM	PART NUMBER	QTY	LINE	SERIES	BODY	ENGINE	TRANS	TRIM	DESCRIPTION
Note; ED1= All 2.4L Gas Engines, ERO= All 4.0 Gas Engines.									
1	4891 414AD	1							PUMP, Leak Detection
2	4612 901	1							FILTER, Fuel Vapor Vent
3									SCREW, Hex Flange Head Tapping, .25-14x.75, M6x1.00x11.00, (NOT SERVICED) (Not Serviced)
4									SCREW, Heat Shield, M6x1.00x13.00, M5.28x1.8x15.0, (NOT SERVICED) (Not Serviced)
5	52059 519AB	1							TUBE, Vacuum
6	52109 507AB	1							HOSE, Leak Detection Pump to Filter



<b>JEEP WRANGLER (TJ)</b>				
SERIES	LINE	BODY	ENGINE	TRANSMISSION
H = Sport	J = Wrangler 4WD	77 = 93.4 WB	ED1, ED0 = 2.4L DOHC	DGG, DGD = 32RH 3 Spd. Auto.
L = SE	U = Wrangler 4WD (RHD)		ERH = 4.0L Power Tech	DDD = 5 Speed HD Manual
M = X				DG0 = Auto. Trans.
P = Sahara				DBB = Manual Trans.
S = Rubicon				DDK = 5 Speed Manual

AR = Use as required - = Non illustrated part # = New this model year

January 6, 2004

# Group – DTJ

## Doors and Related Parts

### GROUP DTJ - Doors and Related Parts

Illustration Title

Group-Fig. No.

#### Front Door

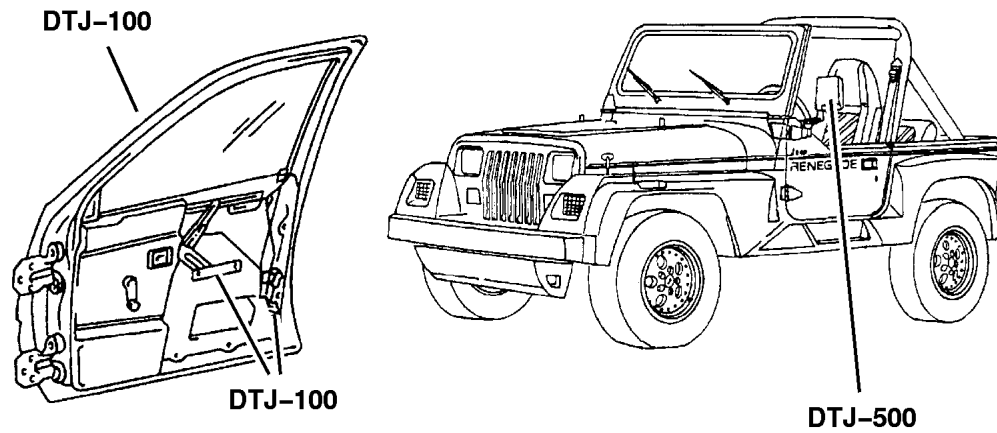
Door, Full Front Shell And Hinges .....	Fig. DTJ-110
Door, Full Front Glass And Regulator .....	Fig. DTJ-120
Door, Full Front Lock And Controls .....	Fig. DTJ-130
Door, Half Front Shell And Hinges .....	Fig. DTJ-160
Door, Half Front Lock And Controls .....	Fig. DTJ-170

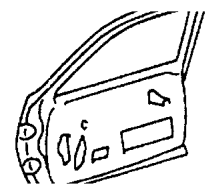
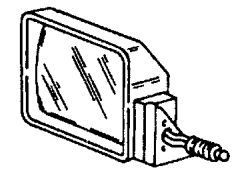
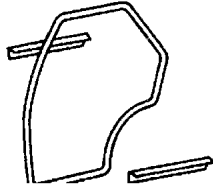
#### Exterior Mirror

Mirror, Exterior .....	Fig. DTJ-510
------------------------	--------------

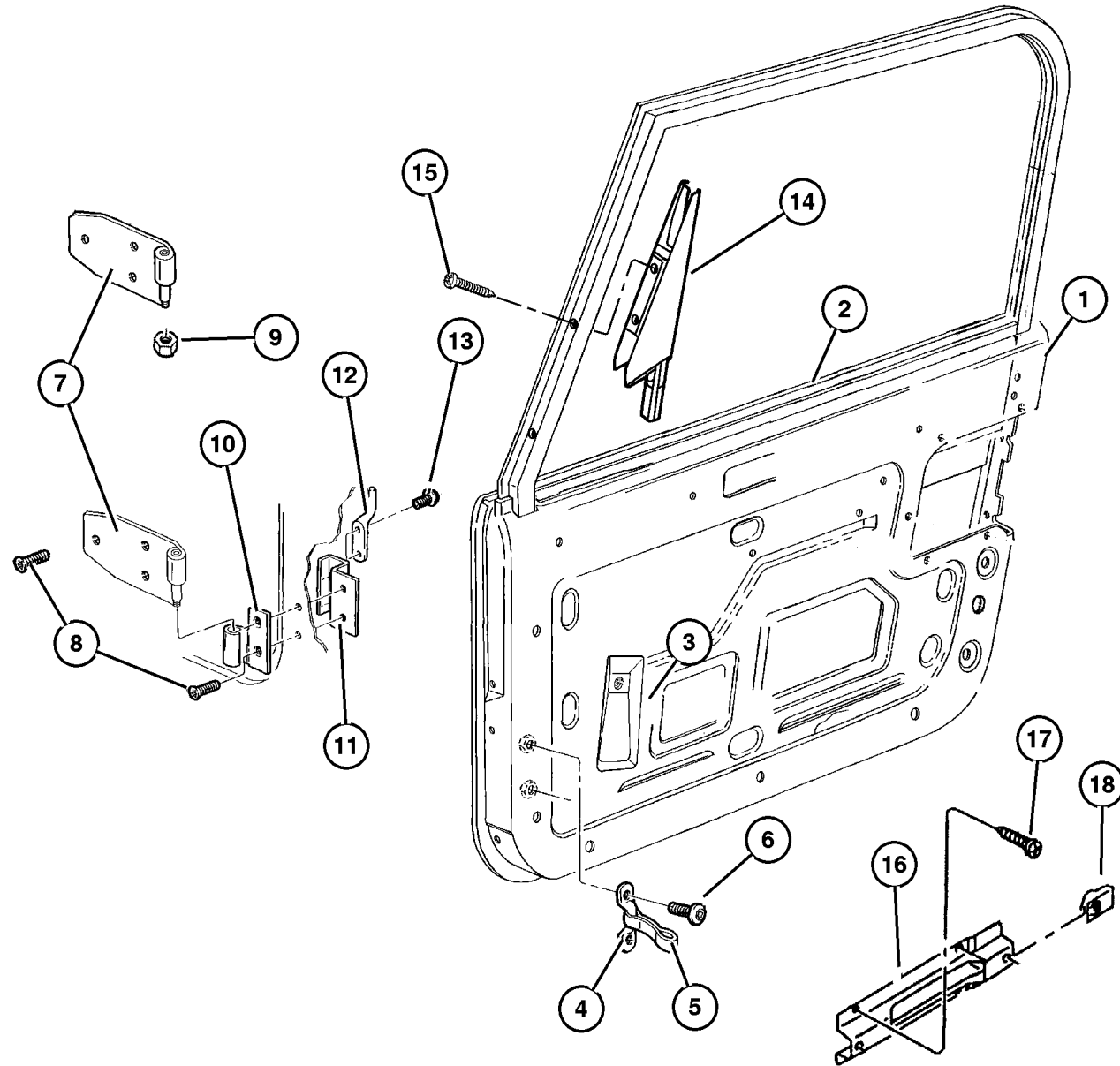
#### Weatherstrips and Seals

Door Weatherstrips And Runs .....	Fig. DTJ-610
-----------------------------------	--------------



<p><b>DTJ-100</b> Front Door</p> 	<p><b>DTJ-500</b> Exterior Mirror</p> 	<p><b>DTJ-600</b> Weatherstrips and Seals</p> 	
--	---	--	--

## Door, Full Front Shell And Hinges Figure DTJ-110



ITEM	PART NUMBER	QTY	LINE	SERIES	BODY	ENGINE	TRANS	TRIM	DESCRIPTION
1									DOOR, Front, Shell
	55176 536AF	1							[GCF], Right
	55176 537AF	1							[GCF], Left
2									PANEL, Door Outer
	55176 540AB	1							Right
	55176 541AB	1			77				Left
3									WATERSHIELD, Front Door
	55175 786AH	1							Right
	55175 787AH	1							Left
4	5501 3666	2							FOOTMAN LOOP, Hold Down
5	55176 339AC	2							CHECK, Front Door
6	6036 102AA	4							SCREW, .19-24.50
7									HINGE, Door Half
	5517 6366	1			77				Lower Right
	5517 6367	1			77				Lower Left
	5517 6368	1			77				Upper Right
	5517 6369	1			77				Upper Left
8	6504 443	12							SCREW
9	6504 417	4							NUT, Hex, M8x1.25
10									HINGE, Body Half
	55075 560AC	1			77				Right
	55075 561AC	1			77				Left
11	J545 9281	2							TAPPING PLATE, Door Hinge Body Half
12	J545 9286	2			77				PIN, Restraint Strap
13	6501 979	2							SCREW AND WASHER, Hex Head, M6x1x17
14									PANEL, Door Outer
	55176 568AC	1							Sail, Right
	55176 569AC	1							Sail, Left
15									SCREW, (NOT SERVICED) (Not Serviced)
16	55175 848AC	2							BRACKET, Grab Handle
17									SCREW, (NOT SERVICED) (Not Serviced)
18	6504 993AA	4							NUT

### JEEP WRANGLER (TJ)

SERIES  
H = Sport  
L = SE  
M = X  
P = Sahara  
S = Rubicon

LINE  
J = Wrangler 4WD  
U = Wrangler 4WD (RHD)

BODY  
77 = 93.4 WB

ENGINE  
ED1, ED0 = 2.4L DOHC  
ERH = 4.0L Power Tech

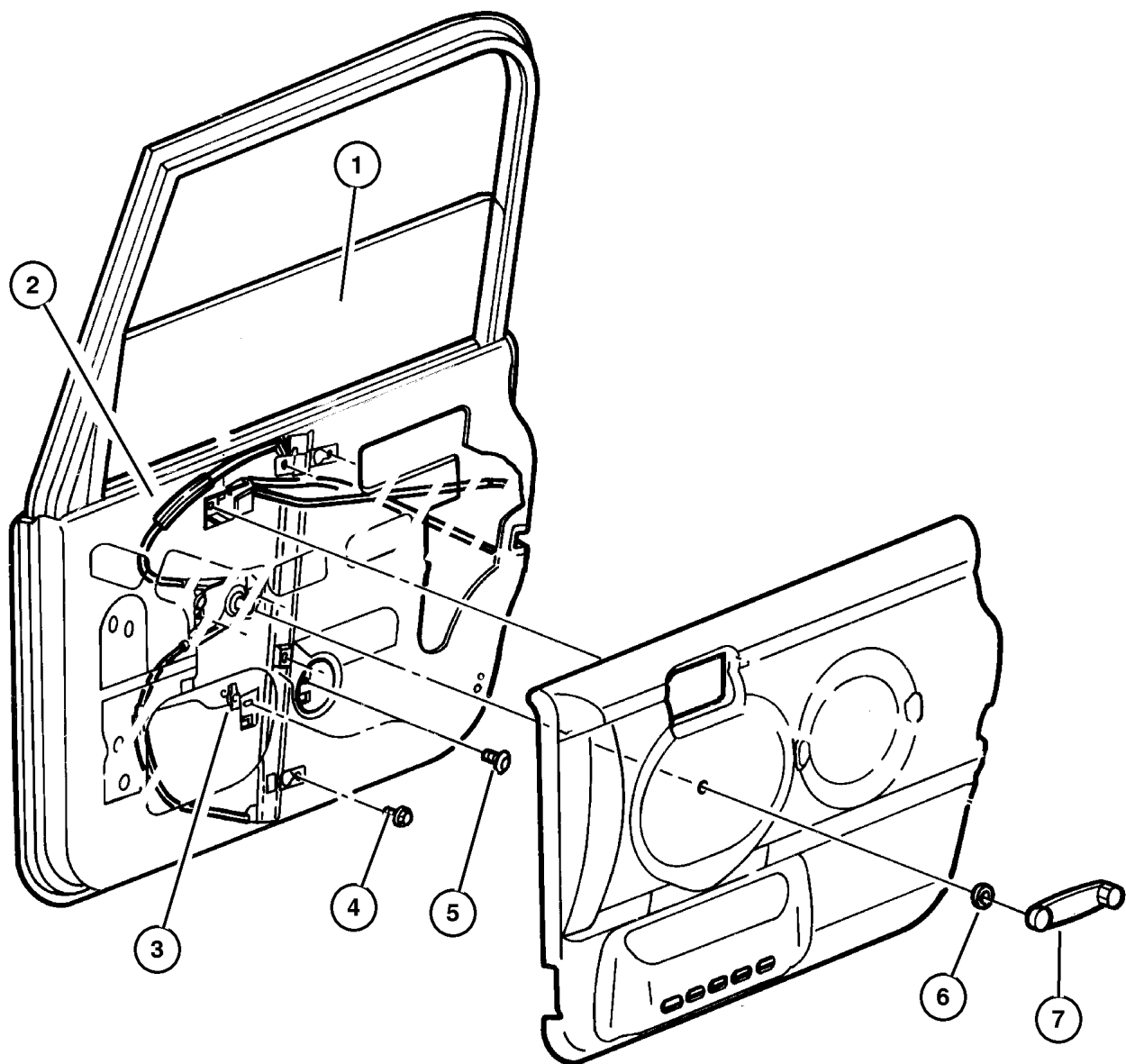
TRANSMISSION  
DGG, DGD = 32RH 3 Spd. Auto.  
DDD = 5 Speed HD Manual  
DGO = Auto. Trans.  
DBB = Manual Trans.  
DDK = 5 Speed Manual

AR = Use as required - = Non illustrated part # = New this model year

January 6, 2004

**Door, Full Front Glass And Regulator  
Figure DTJ-120**

ITEM	PART NUMBER	QTY	LINE	SERIES	BODY	ENGINE	TRANS	TRIM	DESCRIPTION
1									GLASS, Door
	5517 5324	1							Right
	5517 5325	1							Left
2									REGULATOR, Front Door Window
	55076 024AD	1							Right
	55076 025AD	1							Left
3	5517 6412	4							GROMMET, Body
4									SCREW, (NOT SERVICED) (Not Serviced)
5	6035 224	4							SCREW, Pan Head Special, .25x10x.625
6	5507 6218	2							SPACER, Door Handle
7	FW80 PX9	2							HANDLE, Window Regulator, Glass
-8									CHANNEL, Front Door Glass
	5517 5404	1							Right
	5517 5405	1			77				Left



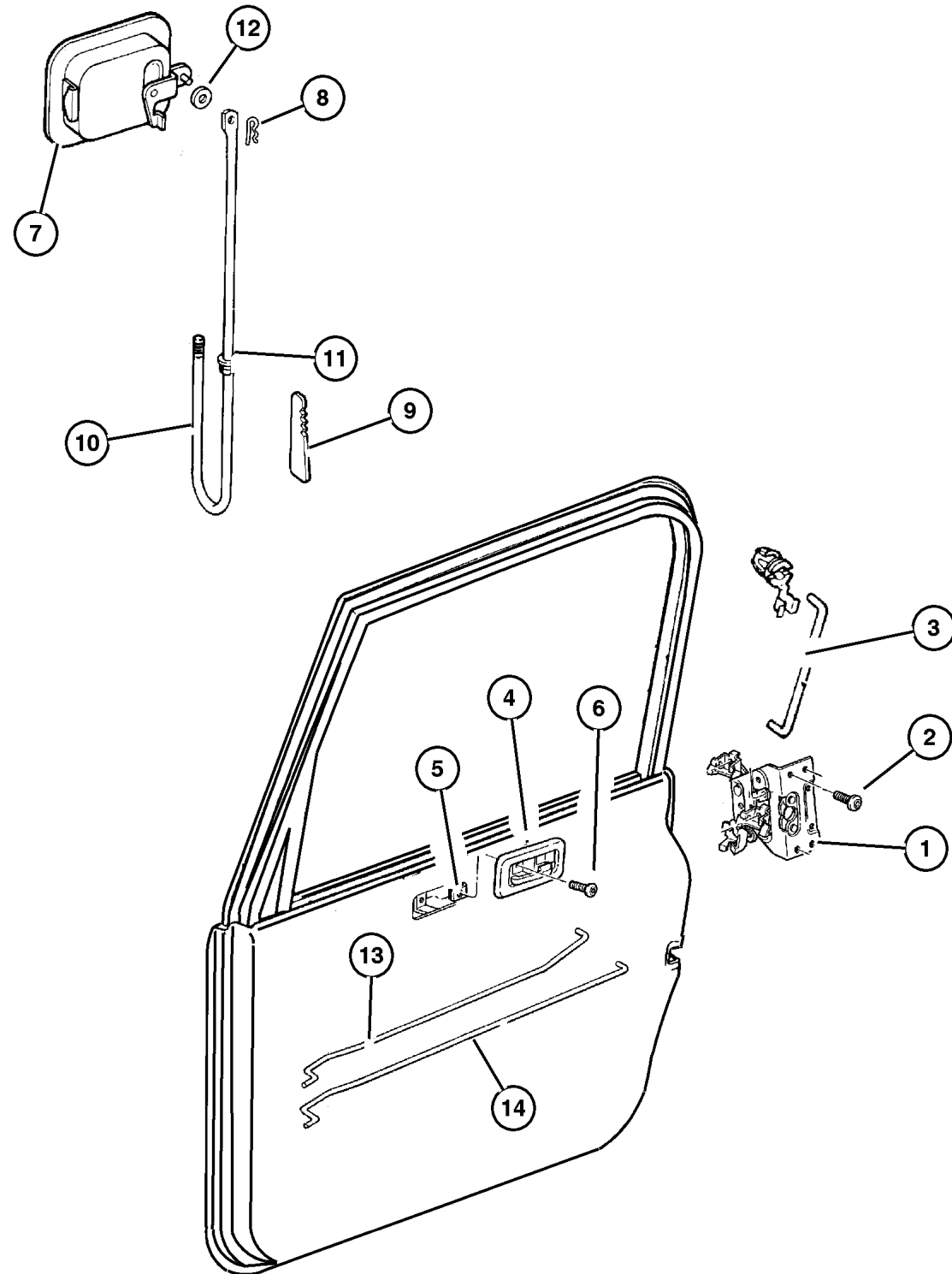
**JEEP WRANGLER (TJ)**

SERIES	LINE	BODY	ENGINE	TRANSMISSION
H = Sport	J = Wrangler 4WD	77 = 93.4 WB	ED1, ED0 = 2.4L DOHC	DGG, DGD = 32RH 3 Spd. Auto.
L = SE	U = Wrangler 4WD (RHD)		ERH = 4.0L Power Tech	DDD = 5 Speed HD Manual
M = X				DG0 = Auto. Trans.
P = Sahara				DBB = Manual Trans.
S = Rubicon				DDK = 5 Speed Manual

AR = Use as required - = Non illustrated part # = New this model year

January 6, 2004

## Door, Full Front Lock And Controls Figure DTJ-130



ITEM	PART NUMBER	QTY	LINE	SERIES	BODY	ENGINE	TRANS	TRIM	DESCRIPTION
1									LATCH, Front Door
	55075 990AH	1							Right
	55075 991AH	1							Left
2	6033 876	6							SCREW, Tapping, M6.3x1.8x38.1
3	5507 5989	2							LINK, Latch Locking
4									HANDLE, Inside Release
	55176 476AC	1							Right
	55176 477AC	1							Left
5	6503 998	2							NUT, U Multi Thread, M5 x .80
6	6505 026AA	2							SCREW, M5x16
7									HANDLE, Exterior Door
	55176 382AE	1							Right
	55176 383AE	1							Left
8	J400 5122	2							PIN, Hitch
9	5507 6221	4							KEEPER, Outside Handle
10									LINK, Latch Release
	5507 5992	1							Exterior Handle to Latch, Right
	5507 5993	1							Exterior Handle to Latch, Left
11	5517 6399	2							BUSHING, Door Handle
12									WASHER, (NOT SERVICED) (Not Serviced)
13									LINK, Door Latch
	55176 628AB	1							Right
	55176 629AB	1							Left
14									LINK, Door Latch
	55176 630AB	1							Right
	55176 631AB	1							Left
-15	55177 131AA	2							BRACKET, Door Inside, J Rod Guide

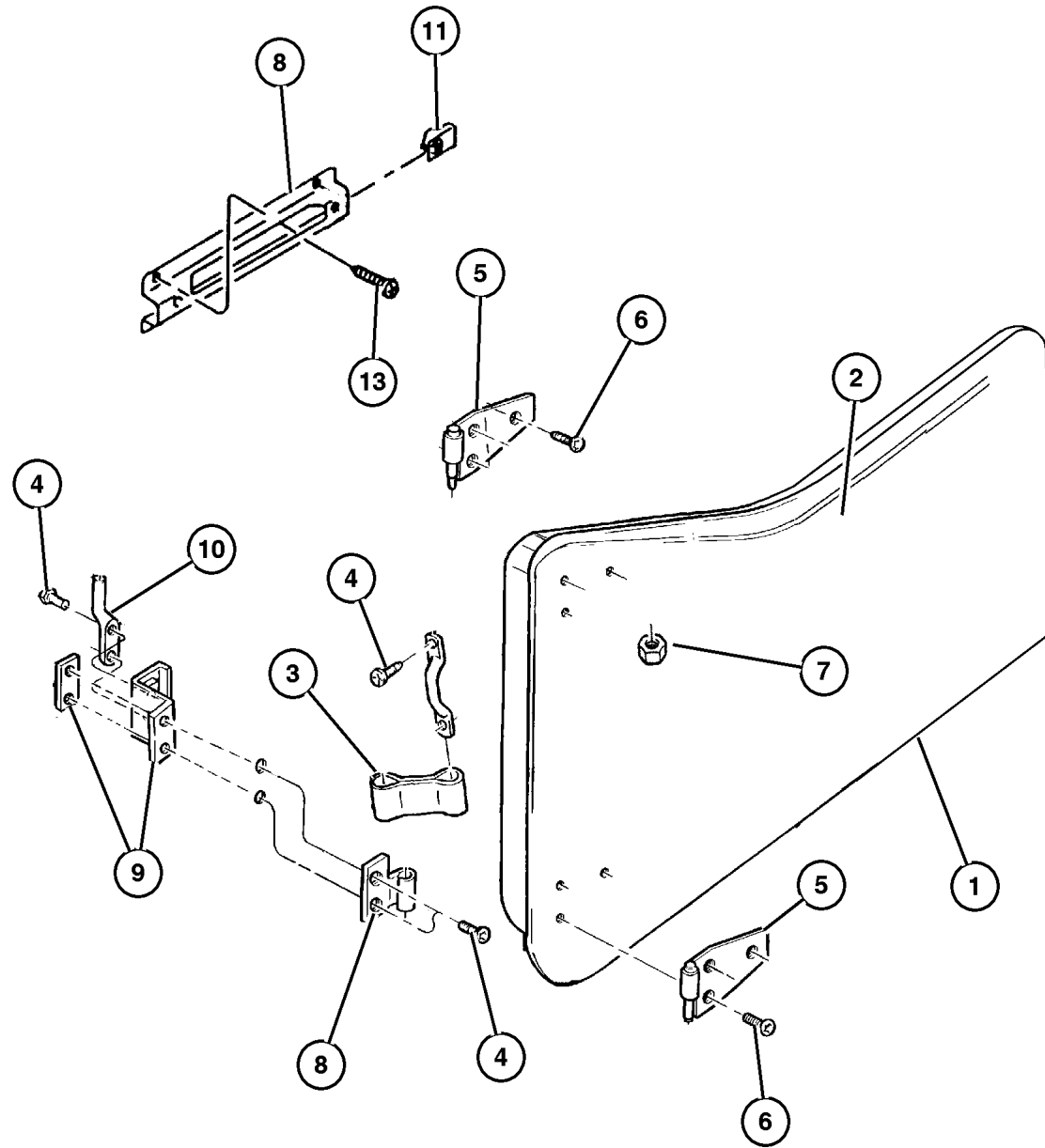
### JEEP WRANGLER (TJ)

SERIES	LINE	BODY	ENGINE	TRANSMISSION
H = Sport	J = Wrangler 4WD	77 = 93.4 WB	ED1, ED0 = 2.4L DOHC	DGG, DGD = 32RH 3 Spd. Auto.
L = SE	U = Wrangler 4WD (RHD)		ERH = 4.0L Power Tech	DDD = 5 Speed HD Manual
M = X				DG0 = Auto. Trans.
P = Sahara				DBB = Manual Trans.
S = Rubicon				DDK = 5 Speed Manual

AR = Use as required - = Non illustrated part # = New this model year

January 6, 2004

**Door, Half Front Shell And Hinges  
Figure DTJ-160**



ITEM	PART NUMBER	QTY	LINE	SERIES	BODY	ENGINE	TRANS	TRIM	DESCRIPTION
1									DOOR, Front
	55174 846AE	1							[GCH], Right
	55174 847AE	1							[GCH], Left
2									PANEL, Door Outer
	55175 196AB	1							Right
	55175 197AB	1			77				Left
3	55176 339AC	2							CHECK, Front Door
4	6035 757	8							SCREW
5									HINGE, Door Half
	5517 6366	1			77				Lower Right
	5517 6367	1			77				Lower Left
	5517 6368	1			77				Upper Right
	5517 6369	1			77				Upper Left
6	6504 443	12							SCREW
7	6504 417	4							NUT, Hex, M8x1.25
8									HINGE, Body Half
	55075 560AC	1			77				Right
	55075 561AC	1			77				Left
9	J545 9281	2							TAPPING PLATE, Door Hinge Body Half
10	J545 9286	2							PIN, Restraint Strap
11	6504 993AA	4							NUT
-12	55175 849AC	2							BRACKET, Grab Handle
13									SCREW, (NOT SERVICED) (Not Serviced)

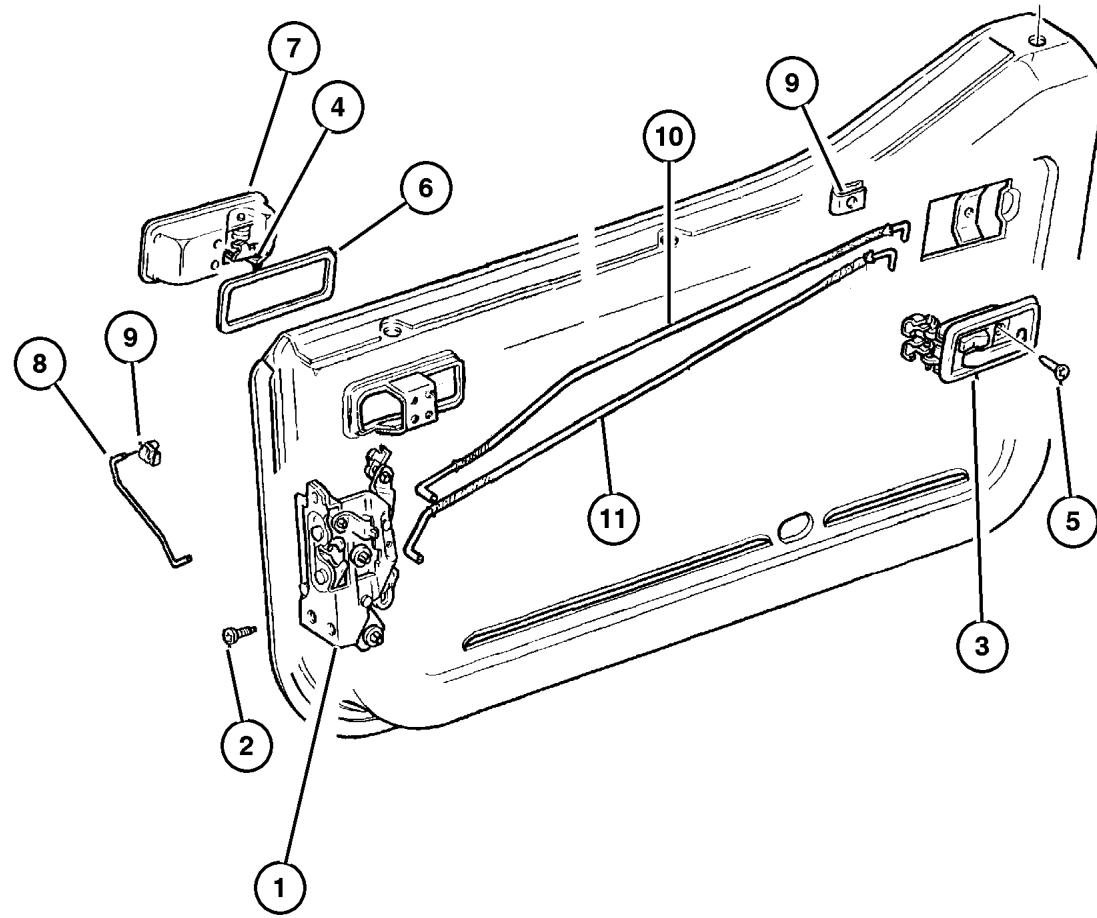
**JEEP WRANGLER (TJ)**

SERIES	LINE	BODY	ENGINE	TRANSMISSION
H = Sport	J = Wrangler 4WD	77 = 93.4 WB	ED1, ED0 = 2.4L DOHC	DGG, DGD = 32RH 3 Spd. Auto.
L = SE	U = Wrangler 4WD (RHD)		ERH = 4.0L Power Tech	DDD = 5 Speed HD Manual
M = X				DG0 = Auto. Trans.
P = Sahara				DBB = Manual Trans.
S = Rubicon				DDK = 5 Speed Manual

AR = Use as required - = Non illustrated part # = New this model year

January 6, 2004

**Door, Half Front Lock And Controls**  
**Figure DTJ-170**



ITEM	PART NUMBER	QTY	LINE	SERIES	BODY	ENGINE	TRANS	TRIM	DESCRIPTION
1									LATCH, Front Door
	55075 982AD	1							[GCH], Right
	55075 983AD	1							[GCH], Left
2	6033 876	6							SCREW, Tapping, M6.3x1.8x38.1
3									HANDLE, Inside Release
	55176 476AC	1							Right
	55176 477AC	1							Left
4	55075 974AC	2							LINK, Latch Locking
5	6505 026AA	2							SCREW, M5x16
6	J374 3608	2							SEAL, Handle, Exterior Handle
7									HANDLE, Exterior Door
	55176 548AB	1							Right
	55176 549AB	1							Left
8									LINK, Latch Release
	55075 976AB	1							Right
	55075 977AB	1							Left
9	6503 998	2							NUT, U Multi Thread, M5 x .80
10									LINK, Door Latch
	5517 6626	1							Right
	5517 6627	1							Left
11									LINK, Door Latch
	55176 624AB	1							Right
	55176 625AB	1							Left

**JEEP WRANGLER (TJ)**

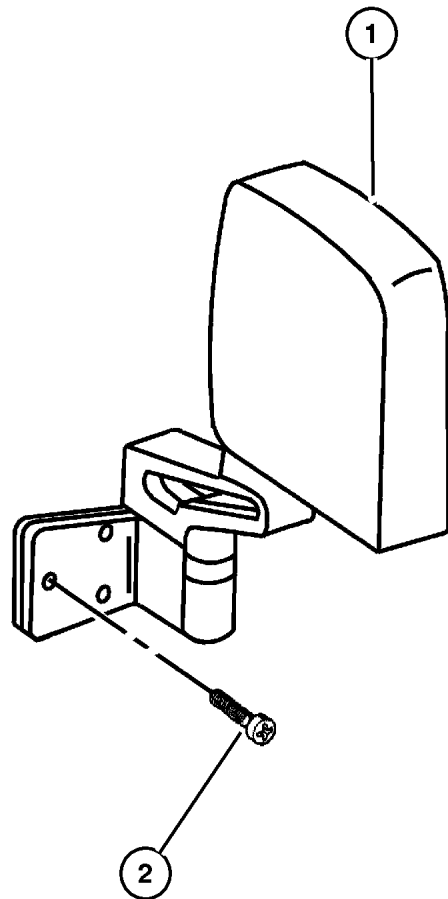
SERIES	LINE	BODY	ENGINE	TRANSMISSION
H = Sport	J = Wrangler 4WD	77 = 93.4 WB	ED1, ED0 = 2.4L DOHC	DGG, DGD = 32RH 3 Spd. Auto.
L = SE	U = Wrangler 4WD (RHD)		ERH = 4.0L Power Tech	DDD = 5 Speed HD Manual
M = X				DG0 = Auto. Trans.
P = Sahara				DBB = Manual Trans.
S = Rubicon				DDK = 5 Speed Manual

AR = Use as required - = Non illustrated part # = New this model year

January 6, 2004



# Mirror, Exterior Figure DTJ-510



ITEM	PART NUMBER	QTY	LINE	SERIES	BODY	ENGINE	TRANS	TRIM	DESCRIPTION
------	-------------	-----	------	--------	------	--------	-------	------	-------------

Note: Sales Code GSE = Mirror Right  
 Note: Sales Code GRE = Mirror Left  
 Note: Sales Code GSV = Mirror Right Manual  
 Note: Sales Code GRV = Mirror Left Manual

1									MIRROR, Outside Rearview
	55395 060AB	1							[GSV,GSE], Right
	55395 061AB	1	J						[GRV], Left
	55395 063AB	1							[GRE,GRC], Left
	55395 066AC	1	J						[GST], Right
	55395 067AB	1	J						[GRT], Left
	55395 060AC	1							[GTV], Right
	55395 061AC	1	J						[GTV], Left
	55395 062AC	1	U		77				[GCS,GTC], Right
2	6034 566	6							SCREW, Tapping Flange Head, .25-20x.875
-3									GLASS, Mirror Replacement
	5083 793AA	1	J						[GRV]
	5083 794AA	1	J						[GST]
	5083 795AA	1	J						[GRT]
	5083 797AA	1							[GRE,GRC]
	5083 792AA	1							[GTV], Right
	5083 793AA	1	J						[GTV], Left
	5083 792AA	1	U		77				[GCS,GTC], Right

### JEEP WRANGLER (TJ)

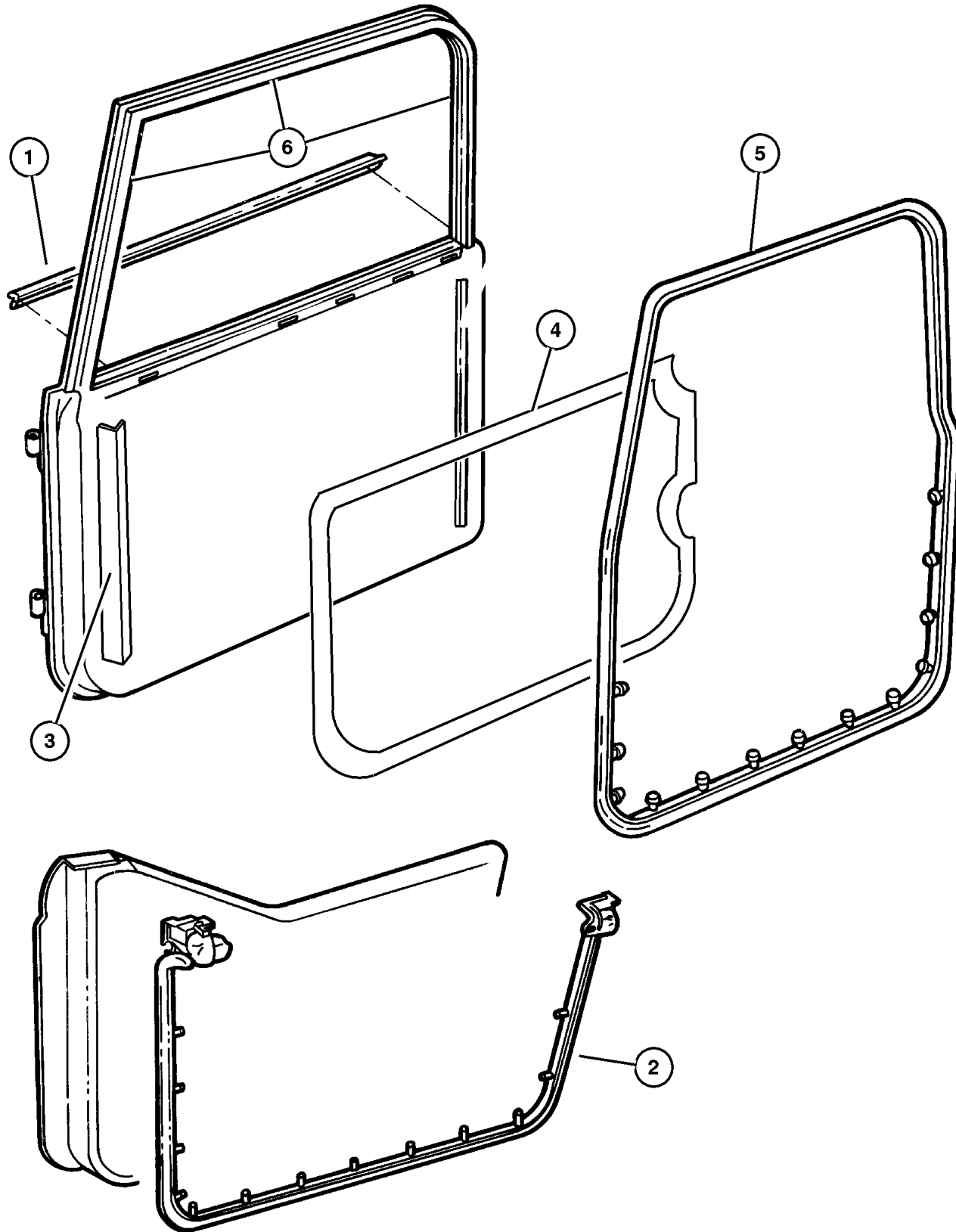
SERIES	LINE	BODY	ENGINE	TRANSMISSION
H = Sport	J = Wrangler 4WD	77 = 93.4 WB	ED1, ED0 = 2.4L DOHC	DGG, DGD = 32RH 3 Spd. Auto.
L = SE	U = Wrangler 4WD (RHD)		ERH = 4.0L Power Tech	DDD = 5 Speed HD Manual
M = X				DG0 = Auto. Trans.
P = Sahara				DBB = Manual Trans.
S = Rubicon				DDK = 5 Speed Manual

AR = Use as required - = Non illustrated part # = New this model year

January 6, 2004

**Door Weatherstrips And Runs  
Figure DTJ-610**

ITEM	PART NUMBER	QTY	LINE	SERIES	BODY	ENGINE	TRANS	TRIM	DESCRIPTION
1									WEATHERSTRIP, Door Belt
	55176 564AC	1							Right
	55176 565AC	1							Left
2									TEMPLATE PACKAGE, Weatherseal
	5017 010AB	1							Right
	5017 011AB	1							Left
3	55395 176AA	2							WEATHERSTRIP, Glass Channel Run, Front
4									WATERSHIELD, Front Door
	55175 786AH	1							Right
	55175 787AH	1							Left
5									TEMPLATE PACKAGE, Weatherseal
	#5017 462AF	1							Right
	#5017 463AF	1							Left
6	55395 174AA	2							WEATHERSTRIP, Glass Channel Run



**JEEP WRANGLER (TJ)**

SERIES	LINE	BODY	ENGINE	TRANSMISSION
H = Sport	J = Wrangler 4WD	77 = 93.4 WB	ED1, ED0 = 2.4L DOHC	DGG, DGD = 32RH 3 Spd. Auto.
L = SE	U = Wrangler 4WD (RHD)		ERH = 4.0L Power Tech	DDD = 5 Speed HD Manual
M = X				DG0 = Auto. Trans.
P = Sahara				DBB = Manual Trans.
S = Rubicon				DDK = 5 Speed Manual

AR = Use as required - = Non illustrated part # = New this model year

January 6, 2004

# Group – ETJ

## Exterior Ornamentation

### GROUP ETJ - Exterior Ornamentation

Illustration Title

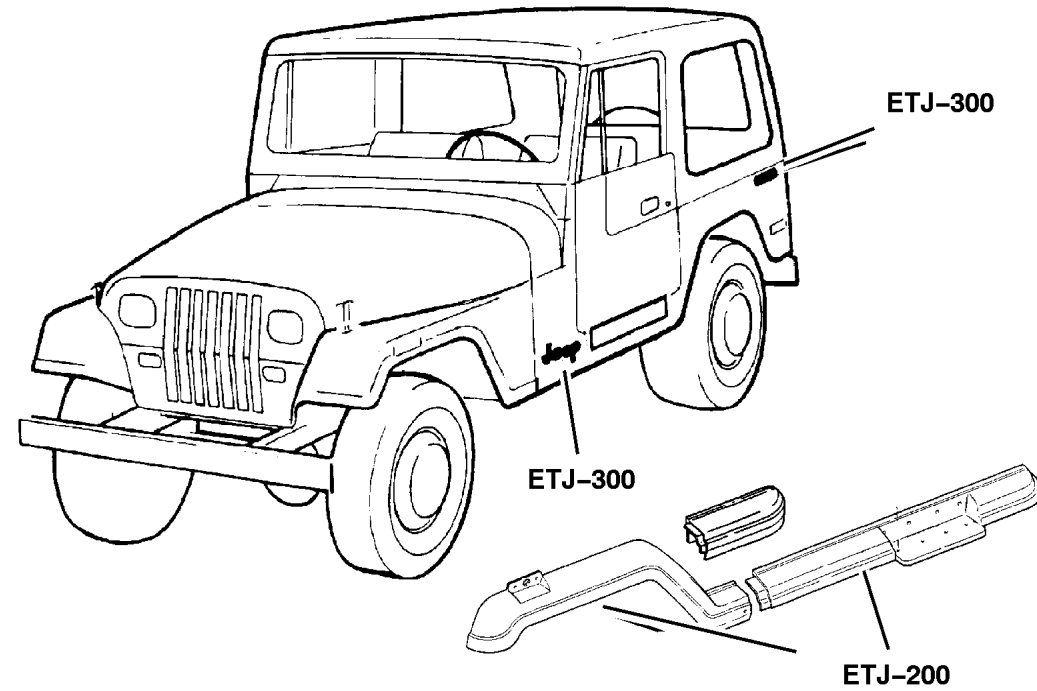
Group-Fig. No.

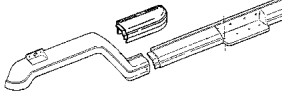
#### Moldings and Ornamentation

Moldings ..... Fig. ETJ-210

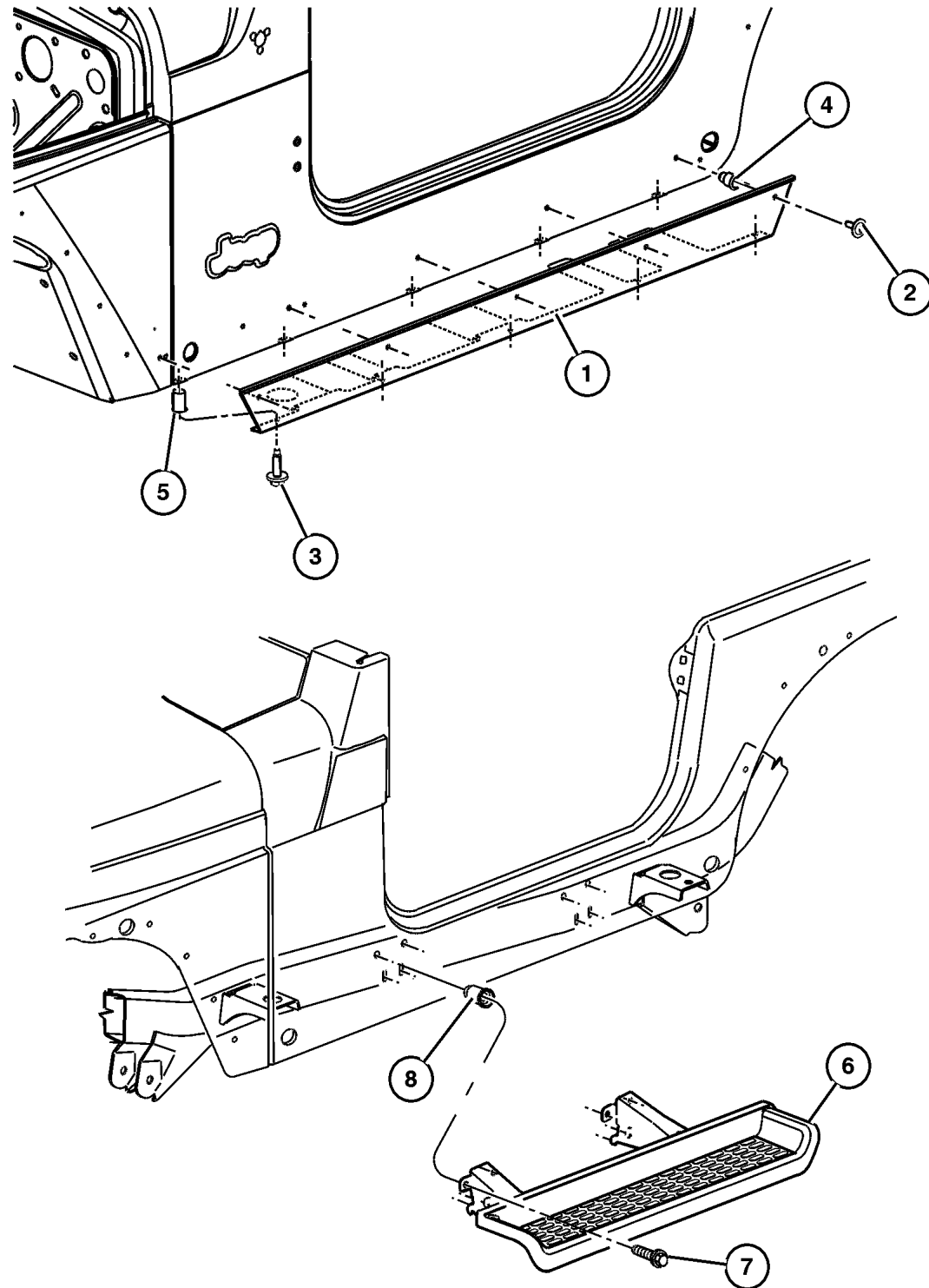
#### Decals and Tapestripes

Decals ..... Fig. ETJ-310



<p><b>ETJ-200</b> Moldings and Ornamentation</p> 	<p><b>ETJ-300</b> Decals and Tapestripes</p> <p><b>JEEP</b></p> <p><b>WRANGLER</b></p>		
--	--	--	--

## Mouldings Figure ETJ-210



ITEM	PART NUMBER	QTY	LINE	SERIES	BODY	ENGINE	TRANS	TRIM	DESCRIPTION
1									SILL, Body Side
	5GG78 JX8AF	1	J						[MEF], Right
	5GG79 JX8AF	1	J						[MEF], Left
2	6504 352	10	J						SCREW
3	6506 348AA	10	J						SCREW AND WASHER, Hex Head, M6x1x25
4	6505 175AA	10	J						NUT, Rivet
5	6503 245	10	J						RIVET
6									STEP PAD, Side Step
	55156 200AB	1							[MRJ], Right
	55156 201AB	1							[MRJ], Left
7	6501 648	8							SCREW, Hex Flange Head, M8x1. 25x25.00
8	6504 397	8							NUT, M8-1.25

### JEEP WRANGLER (TJ)

SERIES	LINE	BODY	ENGINE	TRANSMISSION
H = Sport	J = Wrangler 4WD	77 = 93.4 WB	ED1, ED0 = 2.4L DOHC	DGG, DGD = 32RH 3 Spd. Auto.
L = SE	U = Wrangler 4WD (RHD)		ERH = 4.0L Power Tech	DDD = 5 Speed HD Manual
M = X				DG0 = Auto. Trans.
P = Sahara				DBB = Manual Trans.
S = Rubicon				DDK = 5 Speed Manual

AR = Use as required - = Non illustrated part # = New this model year

January 6, 2004

## Decals Figure ETJ-310

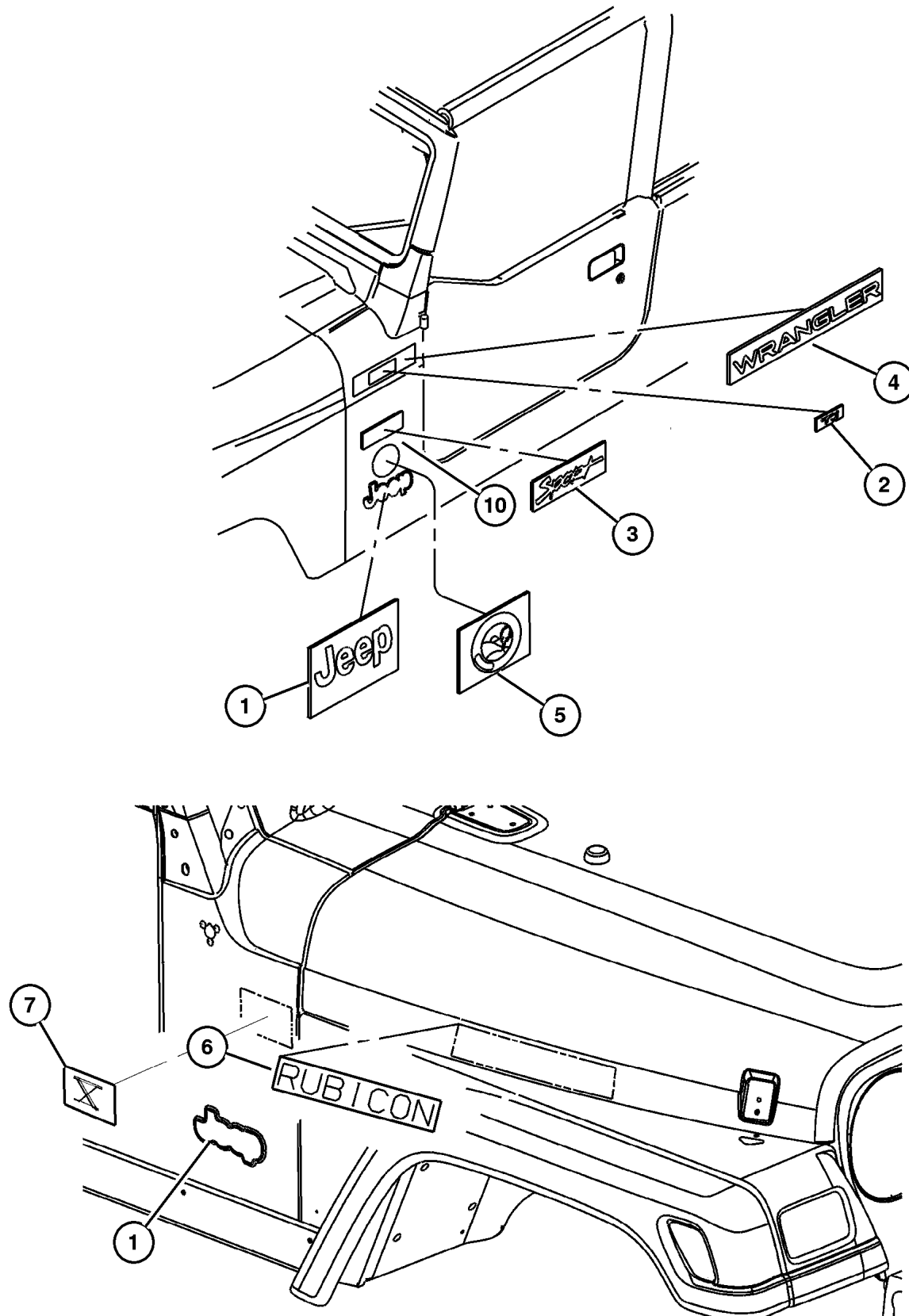
ITEM	PART NUMBER	QTY	LINE	SERIES	BODY	ENGINE	TRANS	TRIM	DESCRIPTION
KT0 = All KT Sales Codes									
1	5FC84 HA2AB	2							DECAL, Bodyside, JEEP [KWP]
	5FC84 HA9AB	2							[KWR]
	5FC84 BWNAB	2							[KWV]
2	5JB65 HA2AA	2							DECAL, TJ [KVP]
	5JB65 HA9AA	2							[KVR]
3	5HW37 HA2AA	2							DECAL, SPORT [KFP]
	5HW37 HA9AA	2							[KFR]
4	5FC8 3TA2	2							DECAL, Bodyside, Wrangler [KXP]
	5FC8 3TA9	2							[KXR]
5	5JC83 HA2AA	2							DECAL, SAHARA, [KBP]
6	5JC82 HA2AA	2							DECAL, RUBICON [KCP]
	5JC82 HA9AA	2							[KCR]
7	5JF14 HA2AB	2							DECAL, X [KDP]
	5JF14 HA9AB	2							[KDR]
-8	5515 5566	2							PROTECTOR, Door Opening, Lower Door
-9	#55157 106AA	1							DECAL, Trail Rated (Left Fender Only), MT2
10	#55157 105AA	2							DECAL, Willys , [KT0]
-11	#55157 115AA	2							DECAL, COLUMBIA EDITION, [MTS]
-12	#5JV67 HA2AA	2	J			78			DECAL, Unlimited [KEP]
	#5JV67 HA9AA	2	J			78			[KER]
-13	#55157 305AA	2							DIMENSIONAL GRAPHIC, Extreme Sport, [MV5]

### JEEP WRANGLER (TJ)

SERIES	LINE	BODY	ENGINE	TRANSMISSION
H = Sport	J = Wrangler 4WD	77 = 93.4 WB	ED1, ED0 = 2.4L DOHC	DGG, DGD = 32RH 3 Spd. Auto.
L = SE	U = Wrangler 4WD (RHD)		ERH = 4.0L Power Tech	DDD = 5 Speed HD Manual
M = X				DG0 = Auto. Trans.
P = Sahara				DBB = Manual Trans.
S = Rubicon				DDK = 5 Speed Manual

AR = Use as required - = Non illustrated part # = New this model year

January 6, 2004



# Group – ITJ

## Interior Trim

### GROUP ITJ - Interior Trim

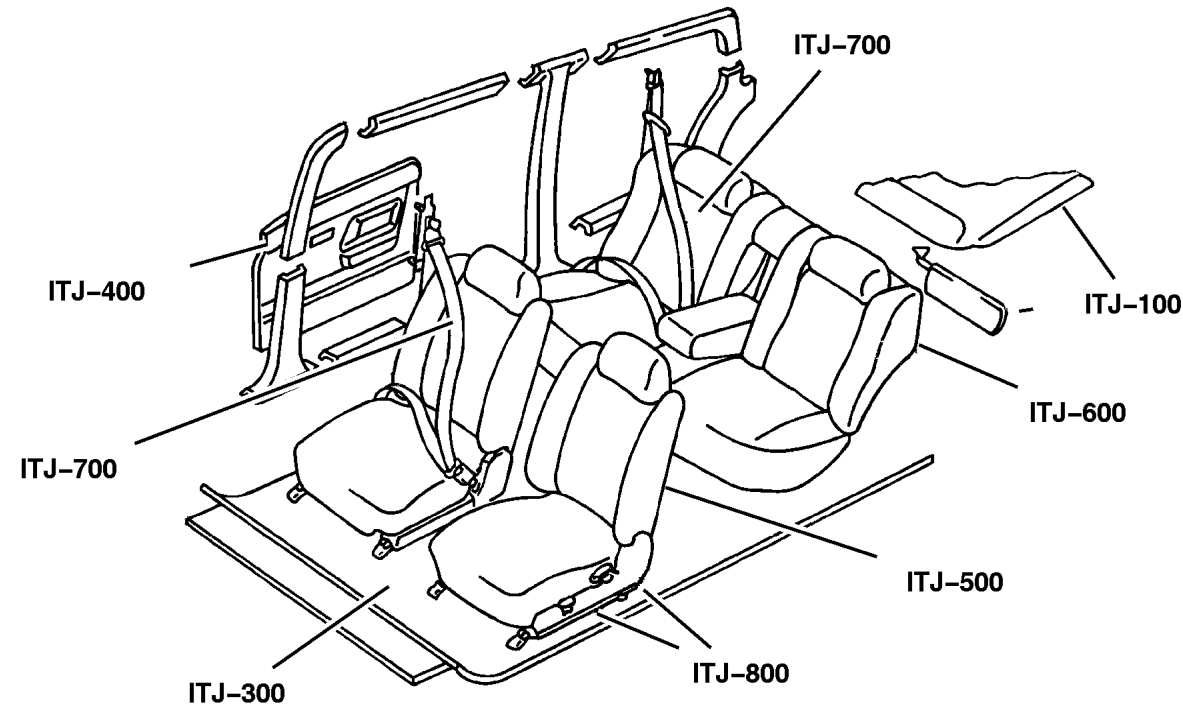


Illustration Title

Group-Fig. No.

#### Headliner and Visor

Sunvisors ..... Fig. ITJ-110

#### Moldings, Scuff Plates

Panels, Interior Trim, Front ..... Fig. ITJ-210

#### Carpet

Carpets And Interior Trim Panels ..... Fig. ITJ-310

#### Door Trim Panels- Front and Sliding

Door Trim Panels Half Doors & Full Doors ..... Fig. ITJ-410

#### Front Seats and Attaching Parts

Front Vinyl, Trim Code [H6] ..... Fig. ITJ-510

Front, Cloth, Trim Code [P5] ..... Fig. ITJ-520

Front, Cloth, Trim Code [S5] ..... Fig. ITJ-530

Front, Cloth, Trim Code [Q5] ..... Fig. ITJ-540

Front, Cloth, Trim Code [L5] ..... Fig. ITJ-550

Front, Cloth, Trim Code [H5] ..... Fig. ITJ-560

#### Rear Seats and Attaching Parts

Rear, Vinyl, Trim Code [H6] ..... Fig. ITJ-610

Rear, Cloth, Trim Code [P5] ..... Fig. ITJ-620

Rear, Cloth, Trim Code [S5] ..... Fig. ITJ-630

Rear, Cloth, Trim Code [Q5] ..... Fig. ITJ-640

Rear, Cloth, Trim Code [L5] ..... Fig. ITJ-650

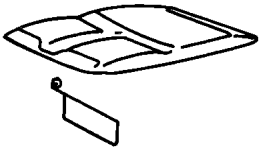
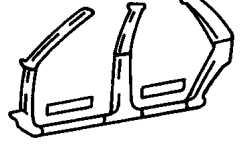
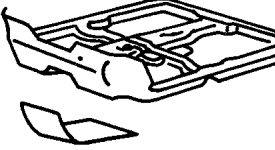
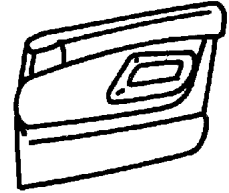

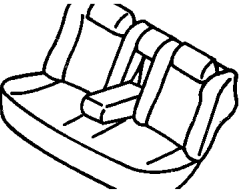
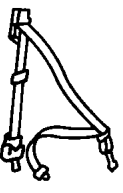
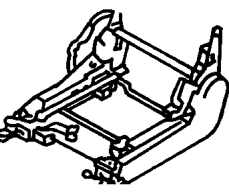
Rear, Cloth, Trim Code [H5] ..... Fig. ITJ-660

#### Seat Belts-Front and Rear

Seat Belts ..... Fig. ITJ-710

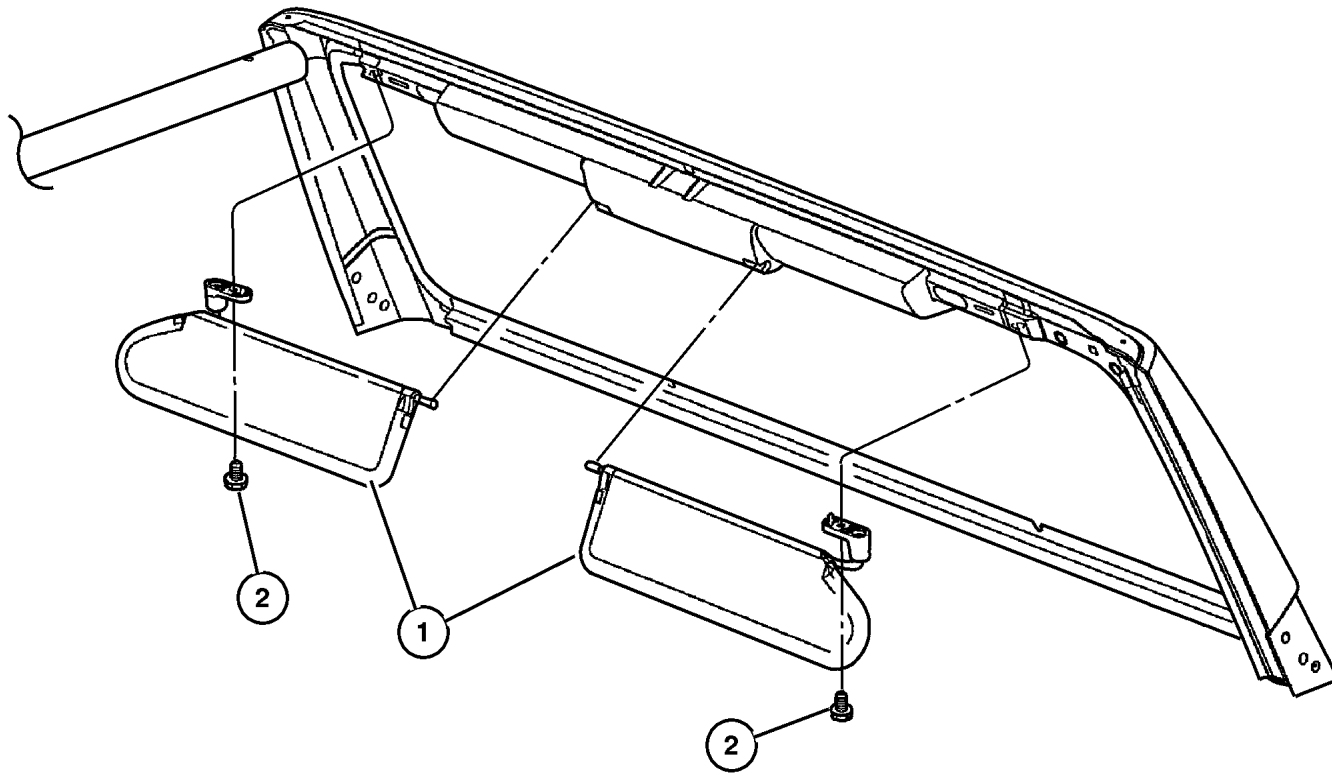
#### Adjusters, Covers, Shields, and Risers

Seat Assemblies, Adjusters, Recliners ..... Fig. ITJ-810

<p><b>ITJ-100</b> Headliner and Visor</p> 	<p><b>ITJ-200</b> Moldings, Scuff Plates</p> 	<p><b>ITJ-300</b> Carpet</p> 	<p><b>ITJ-400</b> Door Trim Panels- Front and Sliding</p> 
<p><b>ITJ-500</b> Front Seats and Attaching Parts</p> 	<p><b>ITJ-600</b> Rear Seats and Attaching Parts</p> 	<p><b>ITJ-700</b> Seat Belts-Front and Rear</p> 	<p><b>ITJ-800</b> Adjusters, Covers, Shields, and Risers</p> 

## Sunvisors Figure ITJ-110

ITEM	PART NUMBER	QTY	LINE	SERIES	BODY	ENGINE	TRANS	TRIM	DESCRIPTION
Sales Codes:									
[CGS] = Side Airbags									
1									VISOR
	5HD80 1X9AC	1	J						Right
	5HD81 1X9AC	1	J						Left
	5HK70 1X9AC	1	U						Right
	5HK71 1X9AC	1	U						Left
	5JM14 1X9AB	1	J						With Side Airbags [CGS], Right
	5JM15 1X9AB	1	J						With Side Airbags [CGS], Left
2									SCREW, [.250-14x0.91], (NOT SERVICED) (Not Serviced)



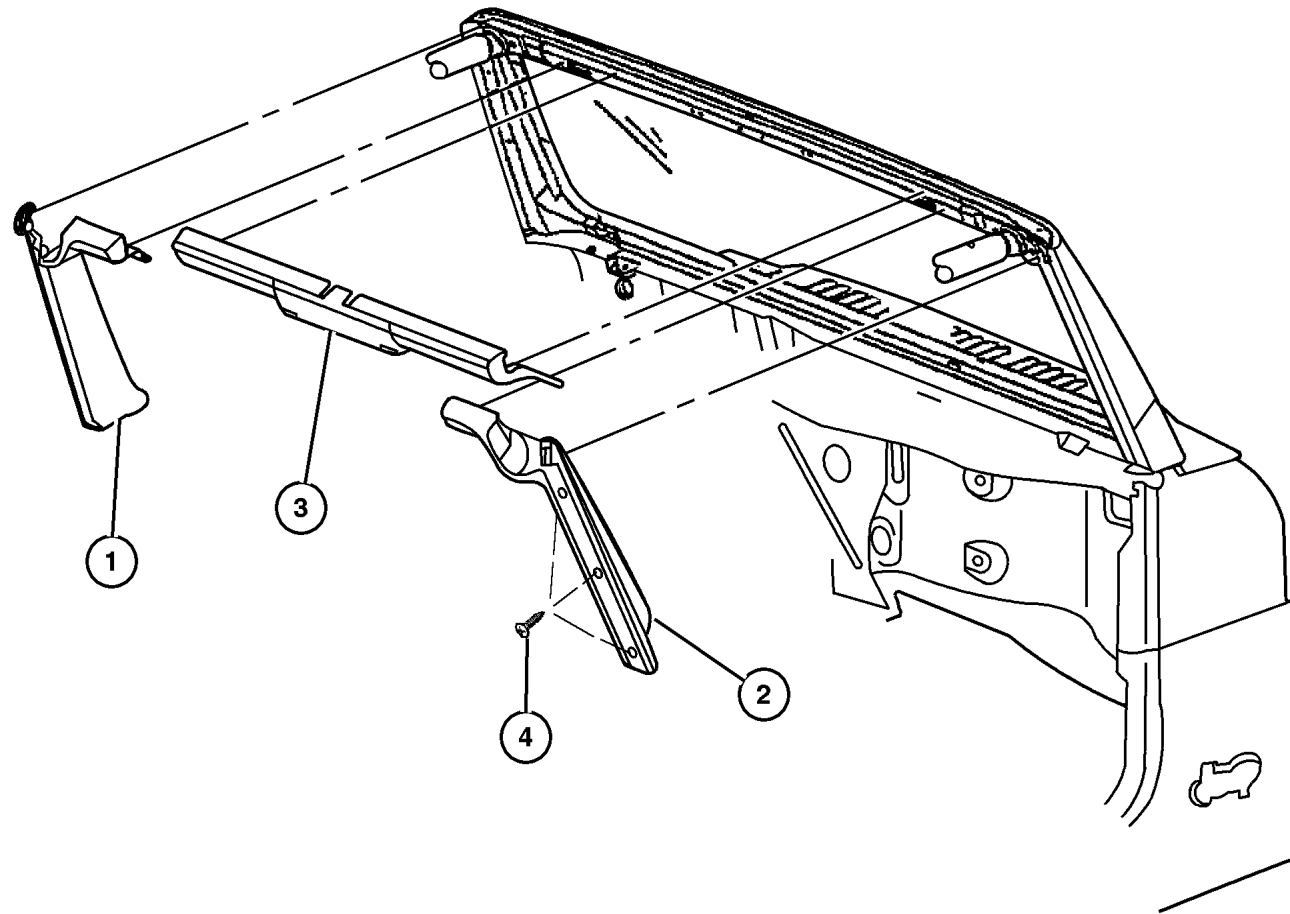
<b>JEEP WRANGLER (TJ)</b>				
SERIES	LINE	BODY	ENGINE	TRANSMISSION
H = Sport	J = Wrangler 4WD	77 = 93.4 WB	ED1, ED0 = 2.4L DOHC	DGG, DGD = 32RH 3 Spd. Auto.
L = SE	U = Wrangler 4WD (RHD)		ERH = 4.0L Power Tech	DDD = 5 Speed HD Manual
M = X				DG0 = Auto. Trans.
P = Sahara				DBB = Manual Trans.
S = Rubicon				DDK = 5 Speed Manual

AR = Use as required - = Non illustrated part # = New this model year

January 6, 2004

**Panels, Interior Trim, Front  
Figure ITJ-210**

ITEM	PART NUMBER	QTY	LINE	SERIES	BODY	ENGINE	TRANS	TRIM	DESCRIPTION
1	5HE55 DX9AC	1							MOLDING, Windshield, Left
2	5HE54 DX9AC	1							MOLDING, Windshield, Right
3	5HE52 DX9AD	1							MOLDING, Windshield
4	6035 369	6							SCREW, Piercing, .164-15x1.25



**JEEP WRANGLER (TJ)**

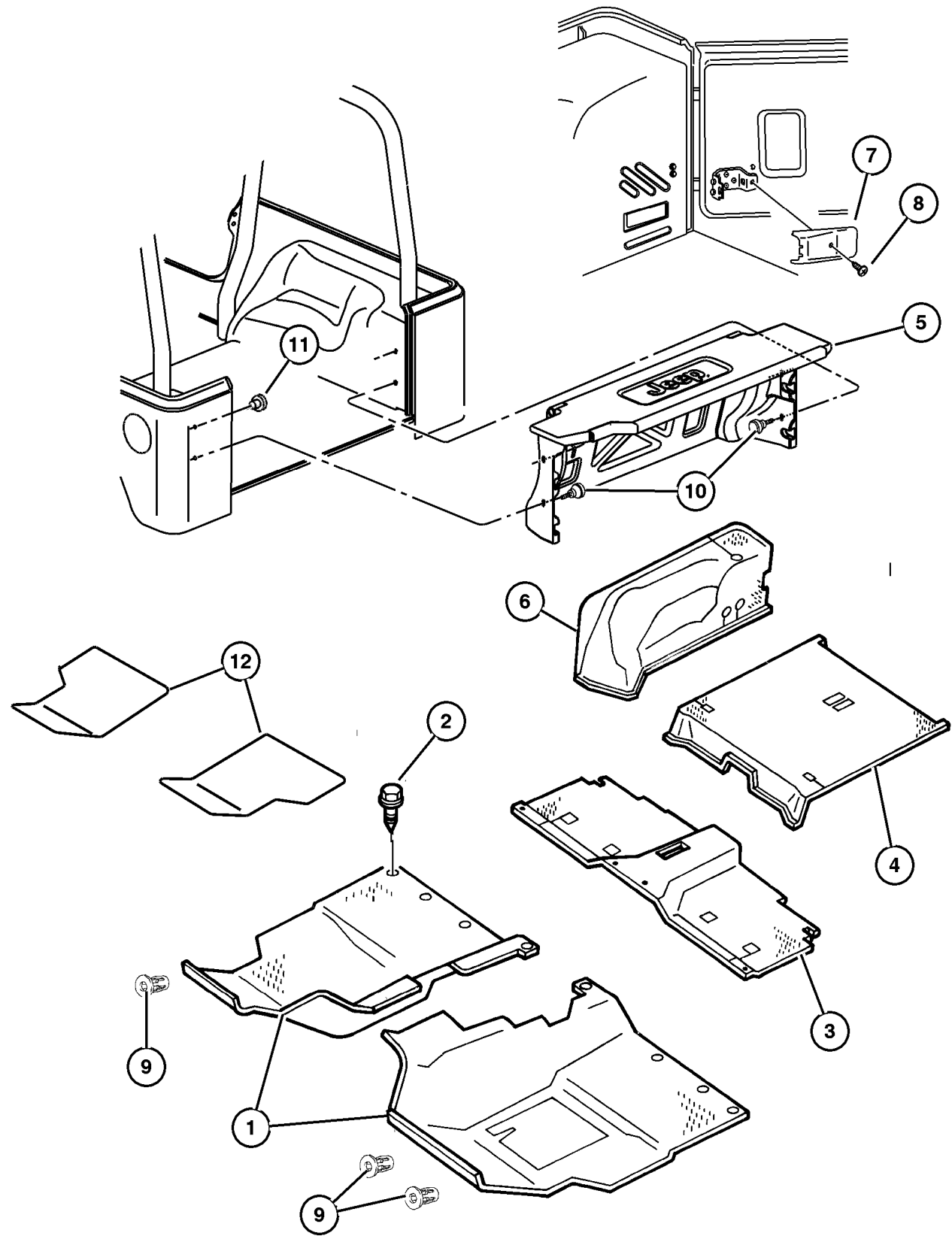
SERIES	LINE	BODY	ENGINE	TRANSMISSION
H = Sport	J = Wrangler 4WD	77 = 93.4 WB	ED1, ED0 = 2.4L DOHC	DGG, DGD = 32RH 3 Spd. Auto.
L = SE	U = Wrangler 4WD (RHD)		ERH = 4.0L Power Tech	DDD = 5 Speed HD Manual
M = X				DG0 = Auto. Trans.
P = Sahara				DBB = Manual Trans.
S = Rubicon				DDK = 5 Speed Manual

AR = Use as required - = Non illustrated part # = New this model year

January 6, 2004



**Carpets And Interior Trim Panels**  
**Figure ITJ-310**



ITEM	PART NUMBER	QTY	LINE	SERIES	BODY	ENGINE	TRANS	TRIM	DESCRIPTION
1									CARPET, Front Floor
	#5FV51 XDVAH	1							[DV], Left
	#5FV51 ZJ8AH	1							[J3], Left
	#5FW50 XDVAJ	1							[DV], Right
	#5FW50 ZJ8AJ	1							[J3], Right
2	J400 7545	2							SCREW AND WASHER, Snap Head, .164-18x.375
3									CARPET, Rear Floor
	5FV49 XDVAD	1							[DV], With Mini Console
	5FV49 ZJ8AD	1							[J3], With Mini Console
	5HG24 XDVAD	1							[DV], With Full Console
	5HG24 ZJ8AD	1							[J3], With Full Console
4									CARPET, Cargo Floor
	5HY13 XDVAB	1				77			[DV]
	5HY13 ZJ8AB	1				77			[J3]
	#5JR57 XDVAA	1	J			78			[DV]
5									PANEL, Add A Trunk, With Latches
	5GY84 1DVAD	1							[DV]
	5GY84 1J3AD	1							[J3]
6									CARPET, Wheelhouse
	5HY52 XDVAC	1				77			[DV], Right
	5HY52 ZJ8AC	1				77			[J3], Right
	5HY53 XDVAD	1				77			[DV], Left
	5HY53 ZJ8AD	1				77			[J3], Left
	#5JR58 XDVAA	1	J			78			[DV], Right
	#5JR59 XDVAA	1	J			78			[DV], Left
7	5521 7099	1							COVER, Contact Button
8									SCREW, .164-18x.625, (NOT SERVICED) (Not Serviced)
9									NUT, Push On
	6503 274	5					U		
		4					J		
10	55352 813AA	4							KNOB
11	0116 392	4							RIVET
12									MAT KIT, Floor - Front, Right Hand Drive
	8220 7332	1	J						[DV], Slush Style
	8220 7333	1	J						[J3], Slush Style
	8220 7368	1	J						[DV], Same as Production
	8220 7534	1	J						[J3], Same as Production

**JEEP WRANGLER (TJ)**

SERIES	LINE	BODY	ENGINE	TRANSMISSION
H = Sport	J = Wrangler 4WD	77 = 93.4 WB	ED1, ED0 = 2.4L DOHC	DGG, DGD = 32RH 3 Spd. Auto.
L = SE	U = Wrangler 4WD (RHD)		ERH = 4.0L Power Tech	DDD = 5 Speed HD Manual
M = X				DG0 = Auto. Trans.
P = Sahara				DBB = Manual Trans.
S = Rubicon				DDK = 5 Speed Manual

AR = Use as required - = Non illustrated part # = New this model year

January 6, 2004

**Door Trim Panels Half Doors & Full Doors  
Figure ITJ-410**

ITEM	PART NUMBER	QTY	LINE	SERIES	BODY	ENGINE	TRANS	TRIM	DESCRIPTION
1	5EJ6 4XDV	6							GROMMET, Door Window Stabilizer [DV]
	5EJ6 4ZJ3	6							[J3]
2	6507 297AA	6							SCREW, M4.2x1.41
3	5ES4 3DX9	1							HANDLE, Door Interior
4	6504 993AA	4							NUT
5									PANEL, Door Trim
	5DY64 1DVAD	1							[DV], Right
	5DY64 1J3AD	1							[J3], Right
	5DY65 1DVAD	1							[DV], Left
	5DY65 1J3AD	1							[J3], Left
6									PIN, Push
	5FP8 4XDV	4							[DV]
	5FP8 4ZJ3	4							[J3]
7									PANEL, Door Trim
	5DY66 1DVAE	1							[DV], Right
	5DY66 1J3AE	1							[J3], Right
	5DY67 1DVAE	1							[DV], Left
	5DY67 1J3AE	1							[J3], Left
8	6504 014	6							FASTENER, Door Trim Panel
9	6504 617	2							SCREW, M4.2-1.41x13

---

---

---

---

---

---

---

---

---

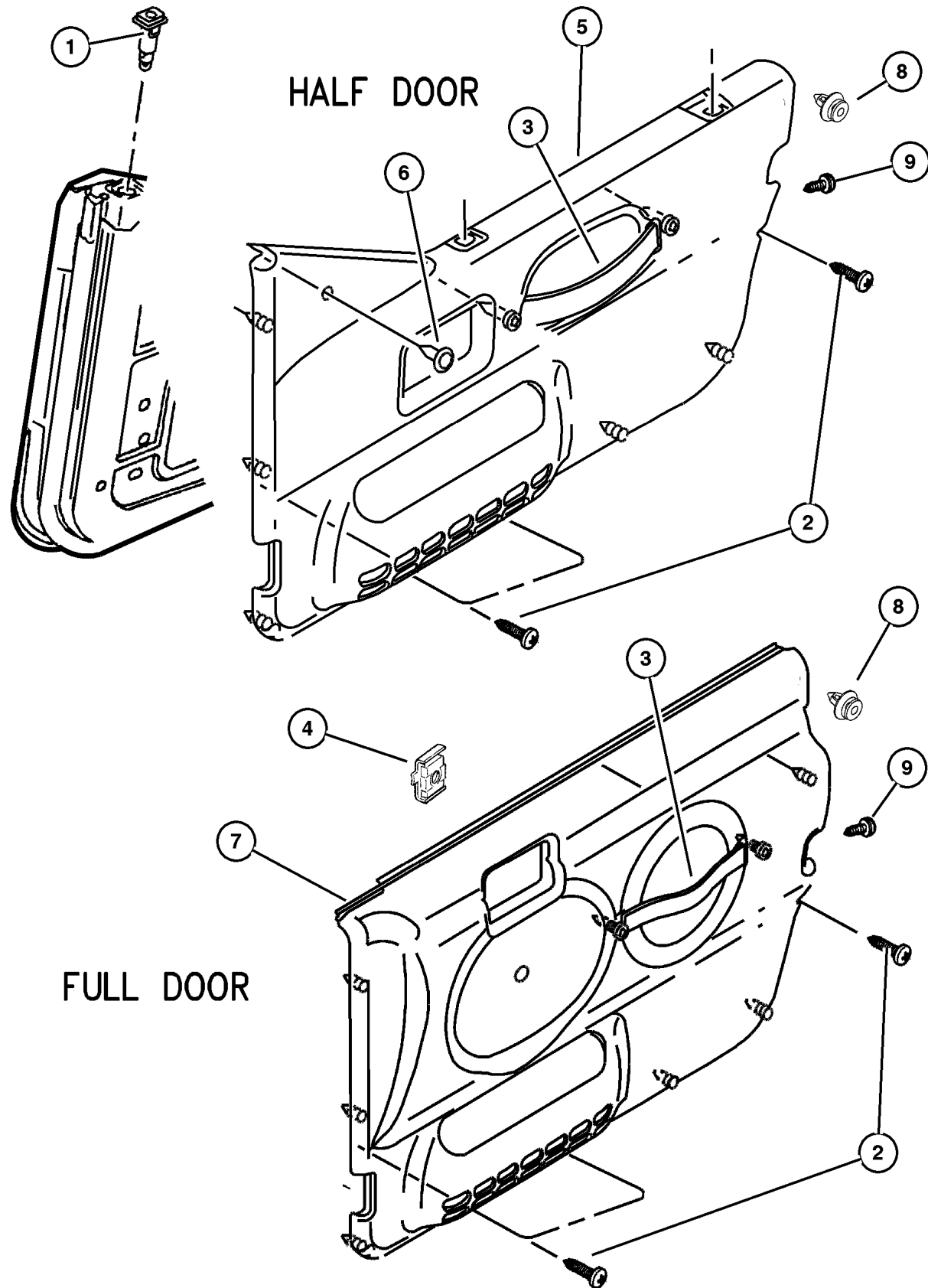
---

**JEEP WRANGLER (TJ)**

<b>SERIES</b>	<b>LINE</b>	<b>BODY</b>	<b>ENGINE</b>	<b>TRANSMISSION</b>
H = Sport	J = Wrangler 4WD	77 = 93.4 WB	ED1, ED0 = 2.4L DOHC	DGG, DGD = 32RH 3 Spd. Auto.
L = SE	U = Wrangler 4WD (RHD)		ERH = 4.0L Power Tech	DDD = 5 Speed HD Manual
M = X				DG0 = Auto. Trans.
P = Sahara				DBB = Manual Trans.
S = Rubicon				DDK = 5 Speed Manual

AR = Use as required - = Non illustrated part # = New this model year

January 6, 2004



**Front Vinyl, Trim Code [H6]  
Figure ITJ-510**

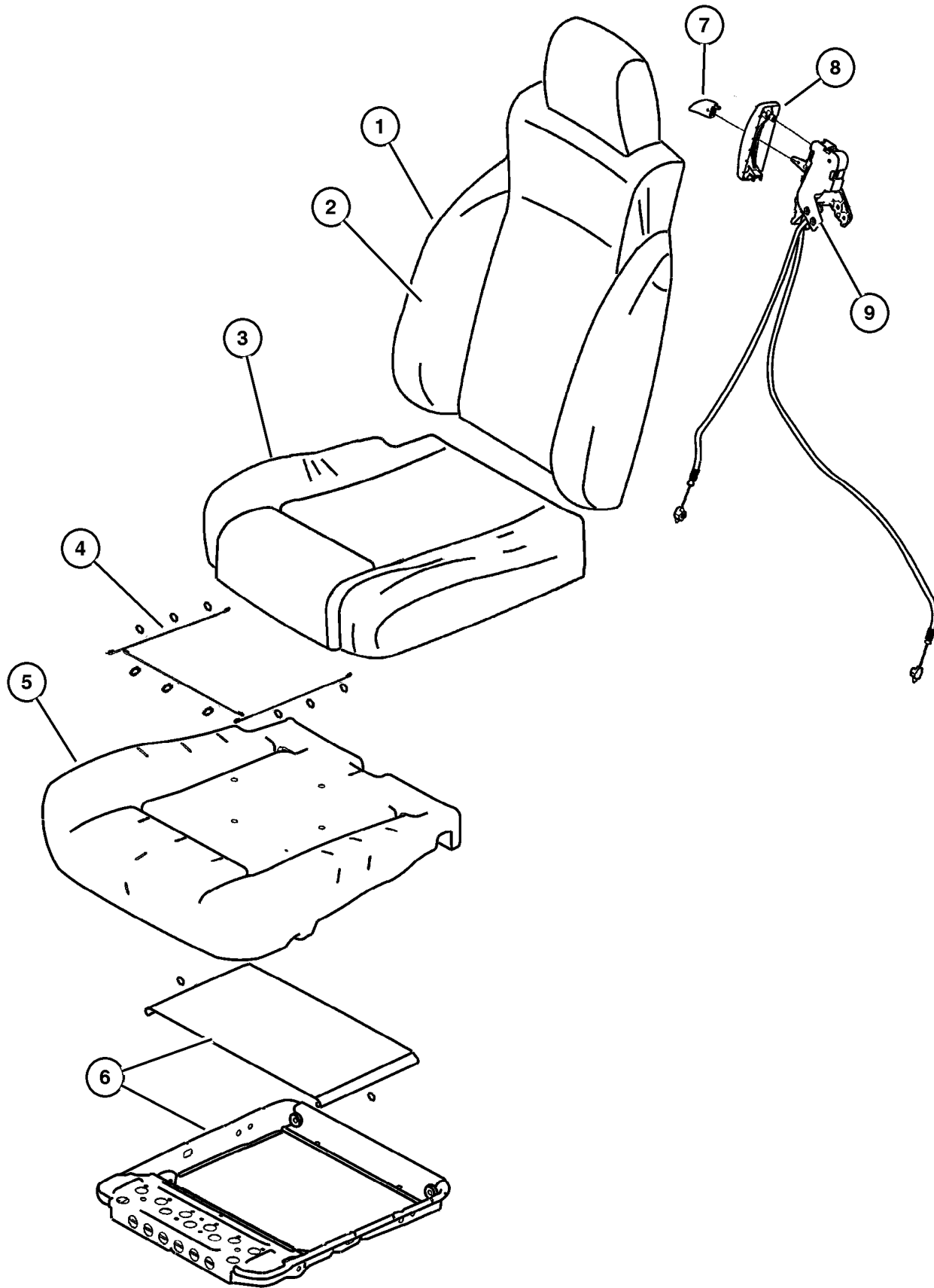
ITEM	PART NUMBER	QTY	LINE	SERIES	BODY	ENGINE	TRANS	TRIM	DESCRIPTION
Sales Code [CF8] = Rear Seat Delete									
1									BACK, Front Seat
	ZG94 1DVAA	1	J		77			H6	[DV], Right
		1	U		77			H6	[DV], Right
	ZG94 1J3AA	1	J		77			H6	[J3], Right
		1	U		77			H6	[J3], Right
	ZG95 1DVAA	1	J		77			H6	[DV], Left
		1	U		77			H6	[DV], Left
	ZG95 1J3AA	1	J		77			H6	[J3], Left
		1	U		77			H6	[J3], Left
2									COVER, Front Seat Back
	ZG92 1DVAA	1	J		77			H6	[DV], Right
		1	U		77			H6	[DV], Right
	ZG92 1J3AA	1	J		77			H6	[J3], Right
		1	U		77			H6	[J3], Right
	ZG93 1DVAA	1	J		77			H6	[DV], Left
		1	U		77			H6	[DV], Left
	ZG93 1J3AA	1	J		77			H6	[J3], Left
		1	U		77			H6	[J3], Left
3									COVER, Front Seat Cushion
	XU20 1DVAA	1	J					H6	[DV], Right
	XU22 1J3AA	1	J					H6	[J3], With Sales Code [CF8], Right
	XU20 1DVAA	1	U					H6	[DV], Right
	XU20 1J3AA	1	J					H6	[J3], Right
		1	U					H6	[J3], Right
	XU21 1DVAA	1	J					H6	[DV], Left
		1	U					H6	[DV], Left
	XU21 1J3AA	1	J					H6	[J3], Left
		1	U					H6	[J3], Left
	XU22 1DVAA	1	J					H6	[DV], With Sales Code [CF8], Right
4									WIRE KIT, Trimming
	5093 573AA	2	J					H6	
		2	U					H6	
5									FOAM, Seat Cushion
	5093 574AA	1	J					H6	Right
		1	U					H6	Right
	5093 575AA	1	J					H6	Left
		1	U					H6	Left
6									FRAME, Front Seat
	5093 572AA	2	J					H6	
		2	U					H6	
7									KNOB, Seat Back Latch

**JEEP WRANGLER (TJ)**

SERIES	LINE	BODY	ENGINE	TRANSMISSION
H = Sport	J = Wrangler 4WD	77 = 93.4 WB	ED1, ED0 = 2.4L DOHC	DGG, DGD = 32RH 3 Spd. Auto.
L = SE	U = Wrangler 4WD (RHD)		ERH = 4.0L Power Tech	DDD = 5 Speed HD Manual
M = X				DG0 = Auto. Trans.
P = Sahara				DBB = Manual Trans.
S = Rubicon				DDK = 5 Speed Manual

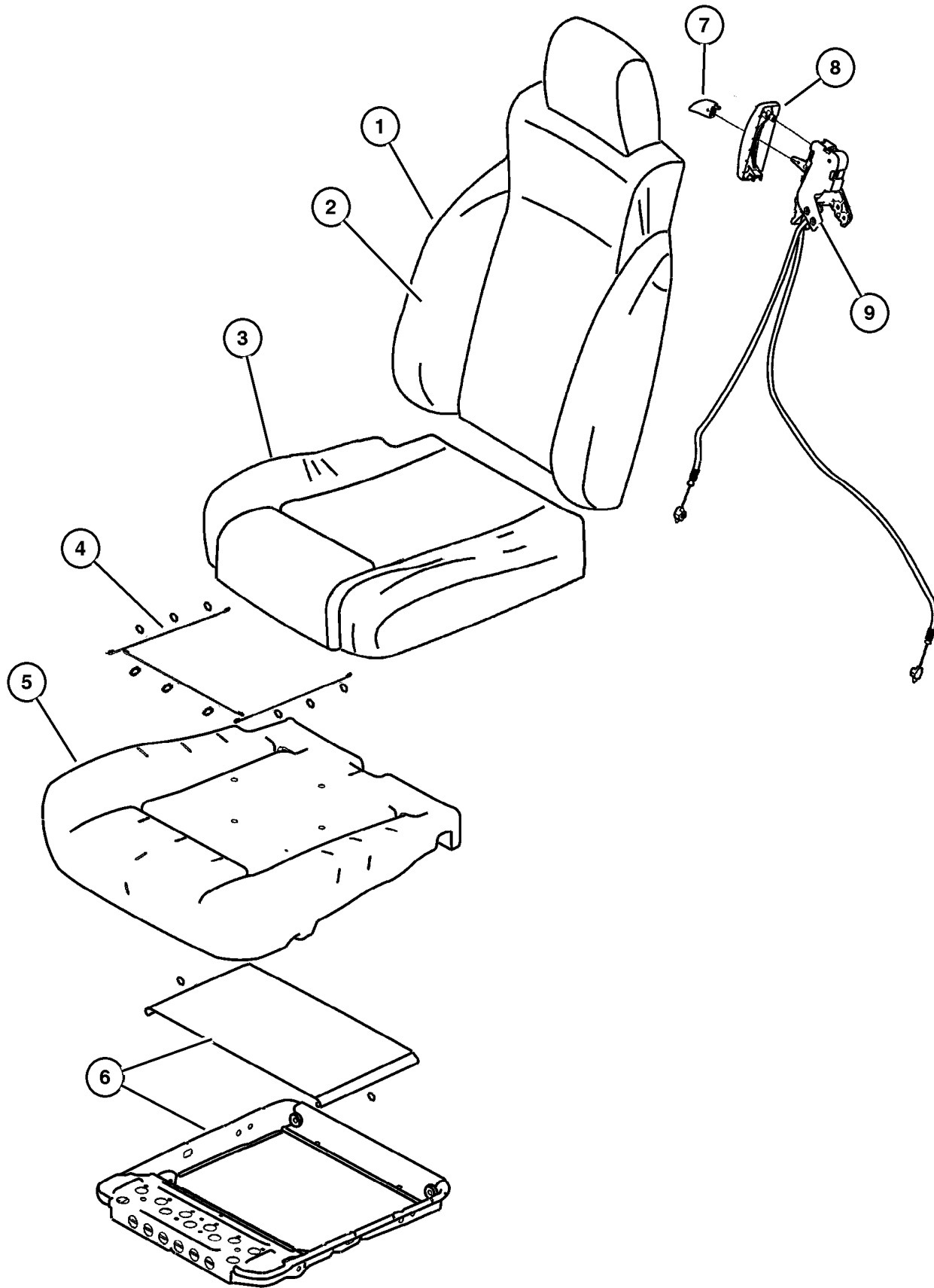
AR = Use as required - = Non illustrated part # = New this model year

January 6, 2004



Front Vinyl, Trim Code [H6]  
Figure ITJ-510

ITEM	PART NUMBER	QTY	LINE	SERIES	BODY	ENGINE	TRANS	TRIM	DESCRIPTION
	5093 667AA	1	J					H6	
		1	U					H6	
8	5093 666AA	1	J					H6	BEZEL, Seat Release
		1	U					H6	
9	5093 669AA	1	J					H6	CABLE, Seat Back Release
		1	U					H6	Up to 9/8/03
	#5093 669AB	1	J					H6	After 9/8/03
		1	U					H6	After 9/8/03
-10									SCREW, Trim, Cable Release to Recliner
	5072 741AA	2	J					H6	Up to 9/8/03
		2	U					H6	Up to 9/8/03
	#5135 791AA	2	U		77			H6	After 9/8/03
		2	J		77			H6	After 9/8/03



JEEP WRANGLER (TJ)

SERIES	LINE	BODY	ENGINE	TRANSMISSION
H = Sport	J = Wrangler 4WD	77 = 93.4 WB	ED1, ED0 = 2.4L DOHC	DGG, DGD = 32RH 3 Spd. Auto.
L = SE	U = Wrangler 4WD (RHD)		ERH = 4.0L Power Tech	DDD = 5 Speed HD Manual
M = X				DG0 = Auto. Trans.
P = Sahara				DBB = Manual Trans.
S = Rubicon				DDK = 5 Speed Manual

AR = Use as required - = Non illustrated part # = New this model year

January 6, 2004

Front, Cloth, Trim Code [P5]  
Figure ITJ-520

ITEM	PART NUMBER	QTY	LINE	SERIES	BODY	ENGINE	TRANS	TRIM	DESCRIPTION
1									BACK, Front Seat
	ZH02 1DVAA	1	J		77			P5	[DV], Right
	ZH03 1J3AA	1	U		77			P5	[J3], Left
	ZH02 1DVAA	1	U		77			P5	[DV], Right
		1	J		78			P5	[DV], Right
	ZH02 1J3AA	1	J		77			P5	[J3], Right
		1	U		77			P5	[J3], Right
	ZH03 1DVAA	1	J		77			P5	[DV], Left
		1	U		77			P5	[DV], Left
		1	J		78			P5	[DV], Left
	ZH03 1J3AA	1	J		77			P5	[J3], Left
2									COVER, Front Seat Back
	ZH00 1DVAA	1	J		77			P5	[DV], Right
	ZH01 1J3AA	1	U		77			P5	[J3], Left
	ZH00 1DVAA	1	U		77			P5	[DV], Right
		1	J		78			P5	[DV], Right
	ZH00 1J3AA	1	J		77			P5	[J3], Right
		1	U		77			P5	[J3], Right
	ZH01 1DVAA	1	J		77			P5	[DV], Left
		1	U		77			P5	[DV], Left
		1	J		78			P5	[DV], Left
	ZH01 1J3AA	1	J		77			P5	[J3], Left
3									COVER, Front Seat Cushion
	XU34 1DVAA	1	U					P5	[DV], Right
	XU35 1J3AA	1	J		77			P5	[J3], Left
	YV05 1DVAA	1	U		77			P5	Postal Vehicle, Left
	XU34 1DVAA	1	J		77			P5	[DV], Right
		1	J		78			P5	[DV], Right
	XU34 1J3AA	1	J					P5	[J3], Right
		1	U					P5	[J3], Right
	XU35 1DVAA	1	U					P5	[DV], Left
		1	J		77			P5	[DV], Left
		1	J		78			P5	[DV], Left
	XU35 1J3AA	1	U					P5	[J3], Left
4									WIRE KIT, Trimming
	5093 573AA	2	U		77			P5	
		2	J					P5	
5									FOAM, Seat Cushion
	5093 574AA	1	J					P5	Right
		1	U					P5	Right
	5093 575AA	1	J					P5	Left

JEEP WRANGLER (TJ)

SERIES  
H = Sport  
L = SE  
M = X  
P = Sahara  
S = Rubicon

LINE  
J = Wrangler 4WD  
U = Wrangler 4WD (RHD)

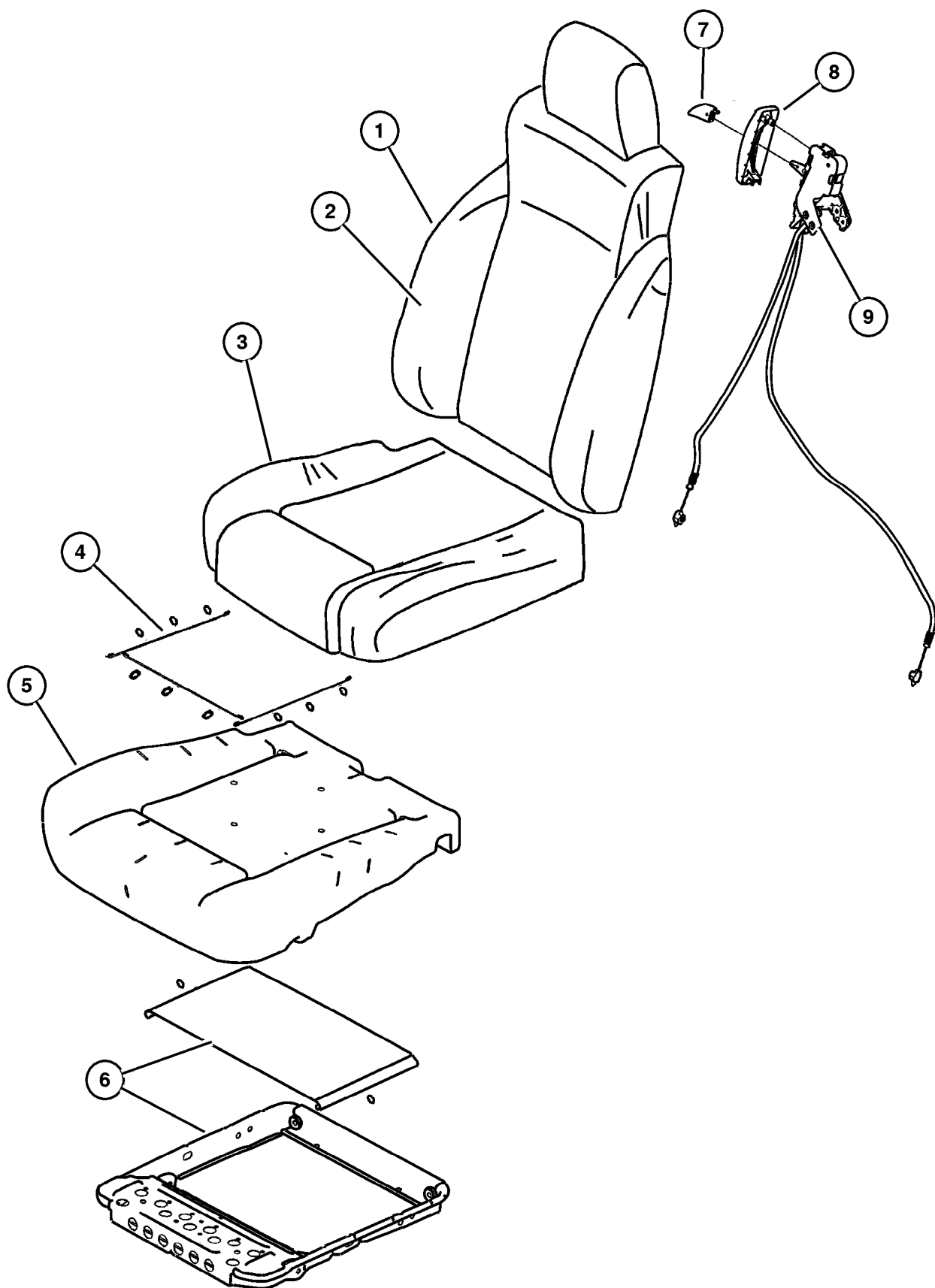
BODY  
77 = 93.4 WB

ENGINE  
ED1, ED0 = 2.4L DOHC  
ERH = 4.0L Power Tech

TRANSMISSION  
DGG, DGD = 32RH 3 Spd. Auto.  
DDD = 5 Speed HD Manual  
DGO = Auto. Trans.  
DBB = Manual Trans.  
DDK = 5 Speed Manual

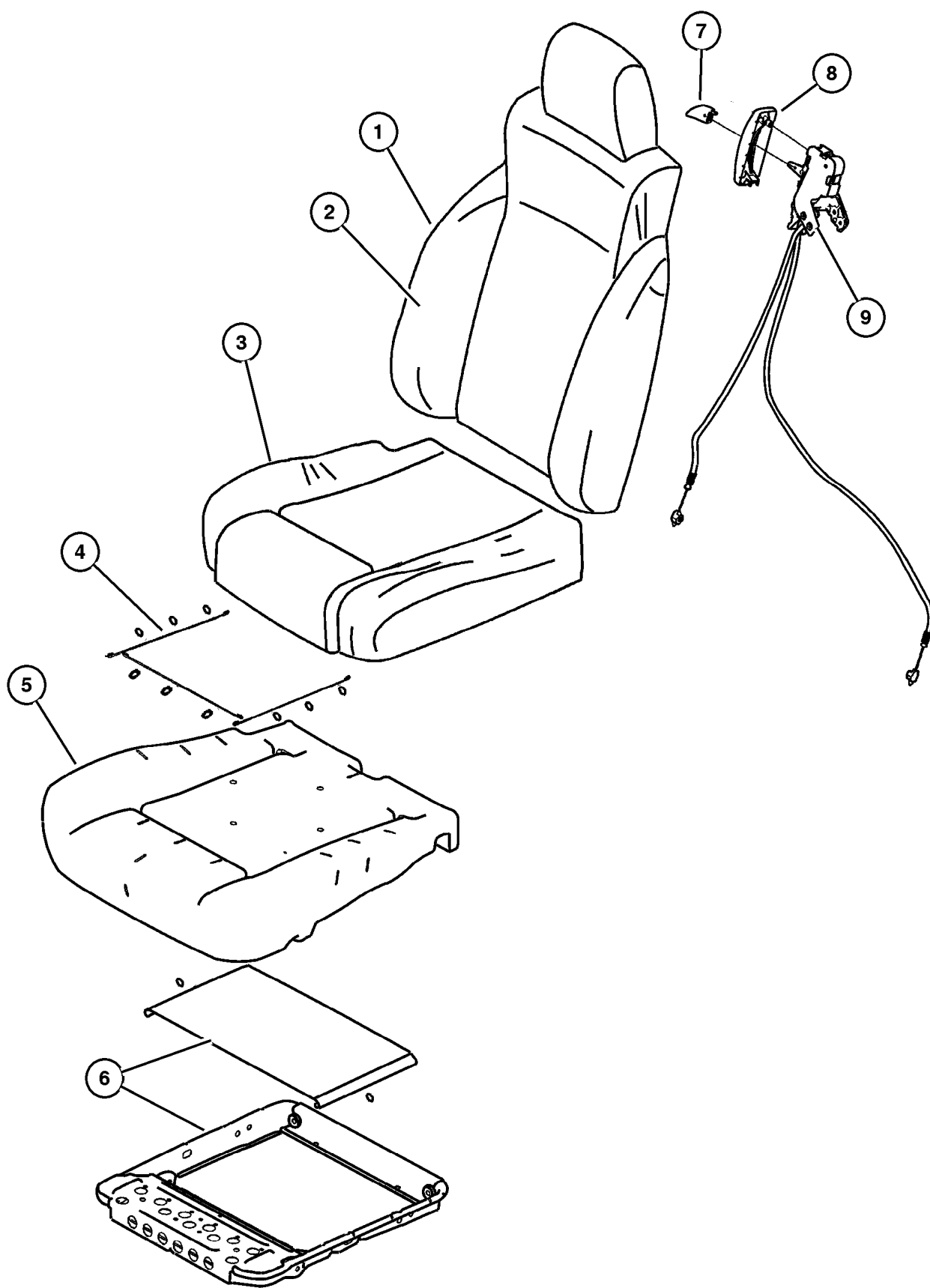
AR = Use as required - = Non illustrated part # = New this model year

January 6, 2004



Front, Cloth, Trim Code [P5]  
Figure ITJ-520

ITEM	PART NUMBER	QTY	LINE	SERIES	BODY	ENGINE	TRANS	TRIM	DESCRIPTION
		1	U					P5	Left
6									FRAME, Front Seat
	5093 572AA	2	J					P5	
		2	U		77			P5	
7									KNOB, Seat Back Latch
	5093 667AA	1	U		77			P5	
		1	J					P5	
8									BEZEL, Seat Release
	5093 666AA	1	J					P5	
		1	U		77			P5	
9									CABLE, Seat Back Release
	5093 669AA	1	U					P5	Up to 9/8/03
		1	J					P5	Up to 9/8/03
	#5093 669AB	1	J					P5	After 9/8/03
		1	U					P5	After 9/8/03
-10									SCREW, Trim, Cable Release to Recliner
	5072 741AA	2	J		77			P5	Up to 9/8/03
		2	U		77			P5	Up to 9/8/03
	#5135 791AA	2	U		77			P5	After 9/8/03
		2	J		77			P5	After 9/8/03



JEEP WRANGLER (TJ)

SERIES	LINE	BODY	ENGINE	TRANSMISSION
H = Sport	J = Wrangler 4WD	77 = 93.4 WB	ED1, ED0 = 2.4L DOHC	DGG, DGD = 32RH 3 Spd. Auto.
L = SE	U = Wrangler 4WD (RHD)		ERH = 4.0L Power Tech	DDD = 5 Speed HD Manual
M = X				DG0 = Auto. Trans.
P = Sahara				DBB = Manual Trans.
S = Rubicon				DDK = 5 Speed Manual

AR = Use as required - = Non illustrated part # = New this model year

January 6, 2004

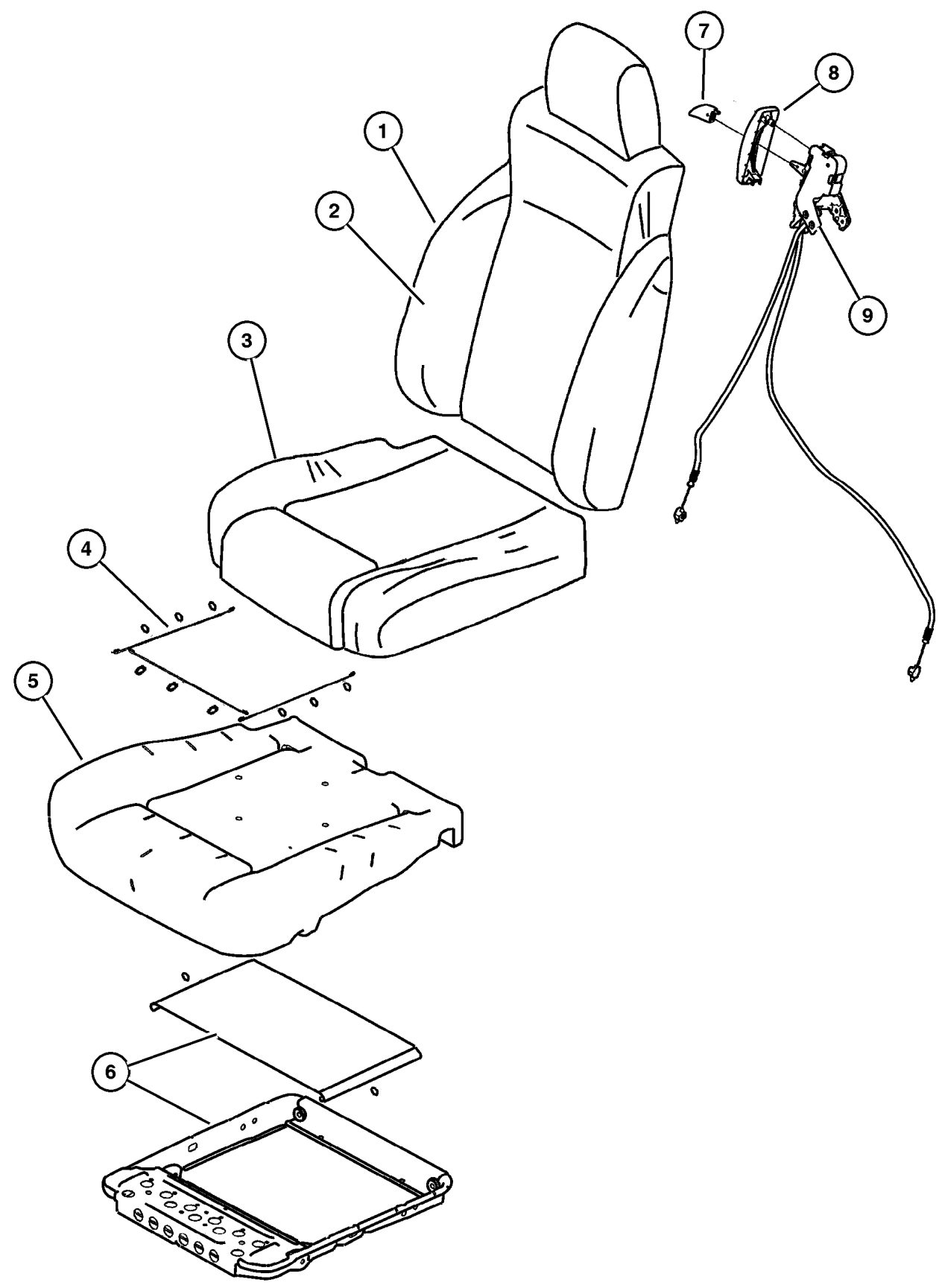
Front, Cloth, Trim Code [S5]  
Figure ITJ-530

ITEM	PART NUMBER	QTY	LINE	SERIES	BODY	ENGINE	TRANS	TRIM	DESCRIPTION
1									BACK, Front Seat
	ZH06 1J3AA	1	J		77			S5	Right
		1	U		77			S5	Right
	ZH07 1J3AA	1	J		77			S5	Left
		1	U		77			S5	Left
2									COVER, Front Seat Back
	ZH04 1J3AA	1	J		77			S5	Right
		1	U		77			S5	Right
	ZH05 1J3AA	1	J		77			S5	Left
		1	U		77			S5	Left
3									COVER, Front Seat Cushion
	XU58 1J3AA	1	J					S5	Right
		1	U					S5	Right
	XU59 1J3AA	1	J					S5	Left
		1	U					S5	Left
4									WIRE KIT, Trimming
	5093 573AA	2	U					S5	
		2	J					S5	
5									FOAM, Seat Cushion
	5093 575AA	1	U		77			S5	Left
		1	J					S5	Left
	5093 574AA	1	U		77			S5	Right
		1	J					S5	Right
6									FRAME, Front Seat
	5093 572AA	1	J		77			S5	
		1	U		77			S5	
7									KNOB, Seat Back Latch
	5093 667AA	1	U		77			S5	
		1	J		77			S5	
8									BEZEL, Seat Release
	5093 666AA	1	J					S5	
		1	U					S5	
9									CABLE, Seat Back Release
	5093 669AA	1	U					S5	Up to 9/8/03
		1	J					S5	Up to 9/8/03
	#5093 669AB	1	J					S5	After 9/8/03
		1	U					S5	After 9/8/03
-10									SCREW, Trim, Cable Release to Recliner
	5072 741AA	2	J		77			S5	Up to 9/8/03
		2	U		77			S5	Up to 9/8/03

JEEP WRANGLER (TJ)  
 SERIES H = Sport L = SE M = X P = Sahara S = Rubicon  
 LINE J = Wrangler 4WD U = Wrangler 4WD (RHD)  
 BODY 77 = 93.4 WB  
 ENGINE ED1, ED0 = 2.4L DOHC ERH = 4.0L Power Tech  
 TRANSMISSION DGG, DGD = 32RH 3 Spd. Auto. DDD = 5 Speed HD Manual DG0 = Auto. Trans. DBB = Manual Trans. DDK = 5 Speed Manual

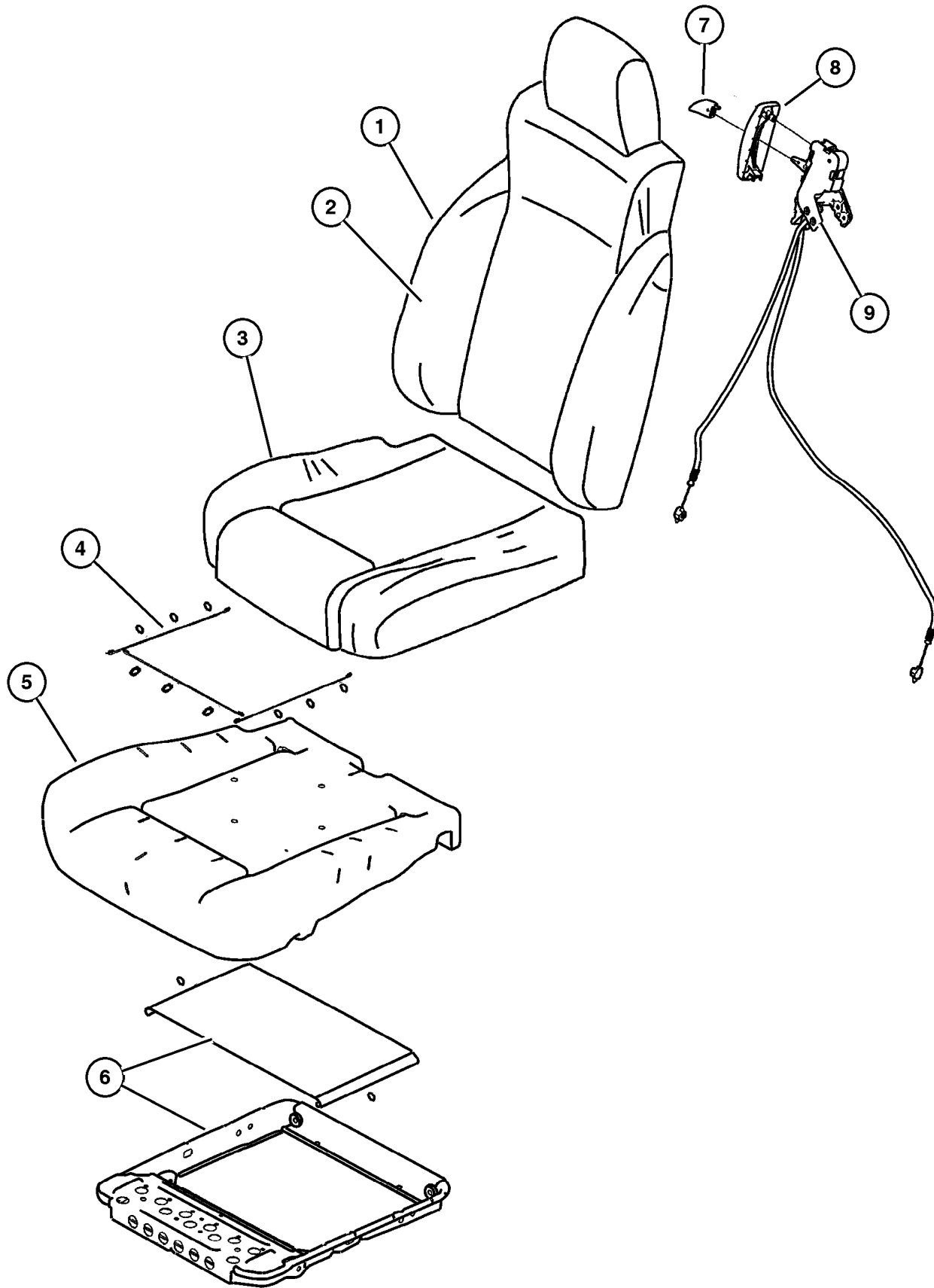
AR = Use as required - = Non illustrated part # = New this model year

January 6, 2004



Front, Cloth, Trim Code [S5]  
Figure ITJ-530

ITEM	PART NUMBER	QTY	LINE	SERIES	BODY	ENGINE	TRANS	TRIM	DESCRIPTION
	#5135 791AA	2	J		77			S5	After 9/8/03
		2	U		77			S5	After 9/8/03



JEEP WRANGLER (TJ)

SERIES	LINE	BODY	ENGINE	TRANSMISSION
H = Sport	J = Wrangler 4WD	77 = 93.4 WB	ED1, ED0 = 2.4L DOHC	DGG, DGD = 32RH 3 Spd. Auto.
L = SE	U = Wrangler 4WD (RHD)		ERH = 4.0L Power Tech	DDD = 5 Speed HD Manual
M = X				DG0 = Auto. Trans.
P = Sahara				DBB = Manual Trans.
S = Rubicon				DDK = 5 Speed Manual

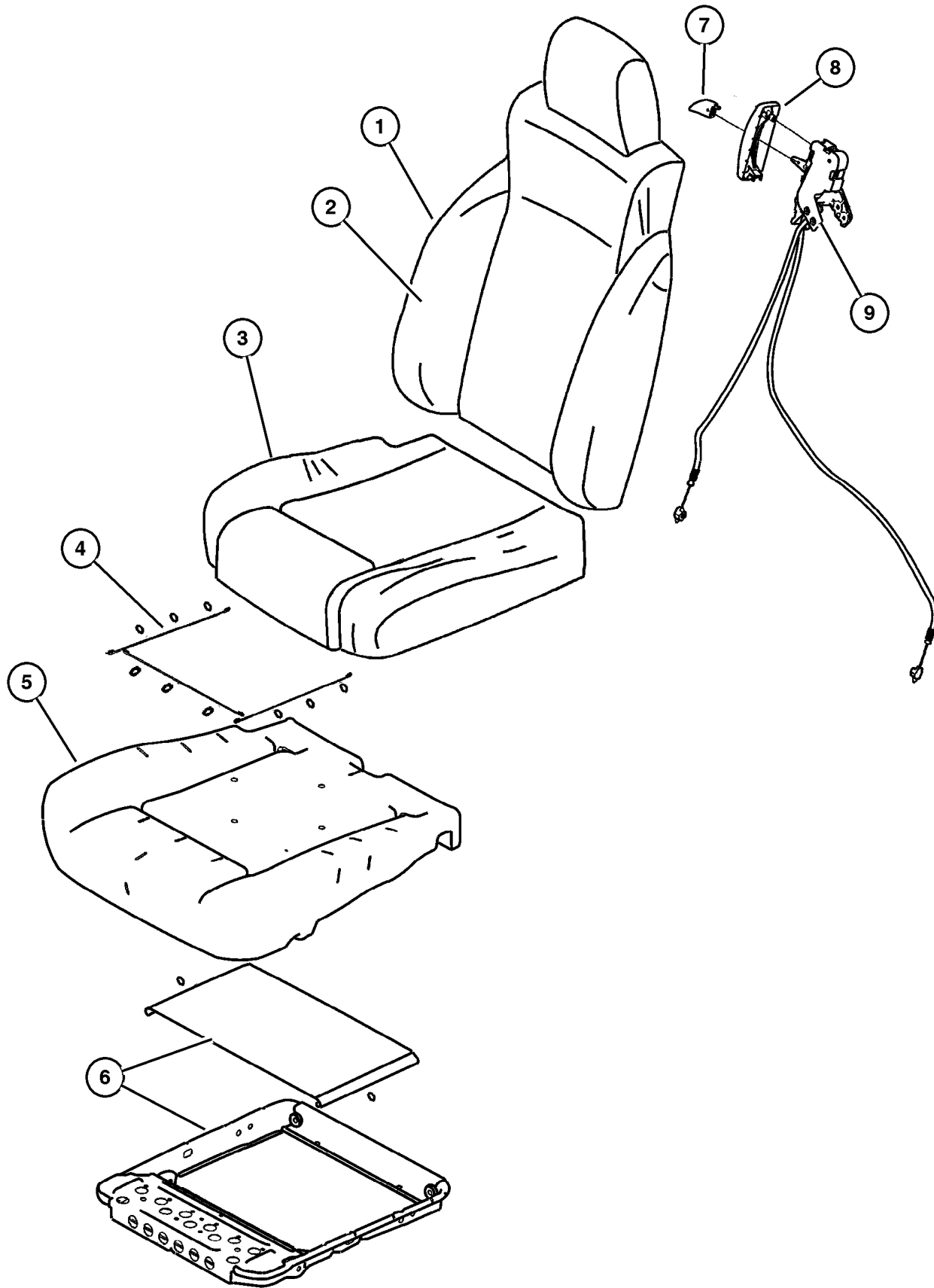
AR = Use as required - = Non illustrated part # = New this model year

January 6, 2004



Front, Cloth, Trim Code [Q5]  
Figure ITJ-540

ITEM	PART NUMBER	QTY	LINE	SERIES	BODY	ENGINE	TRANS	TRIM	DESCRIPTION
1									BACK, Front Seat
	#1AC28 1DVAA	1	J					Q5	Right
	#1AC29 1DVAA	1	J					Q5	Left
2									COVER, Front Seat Back
	#1AC30 1DVAA	1	J					Q5	Right
	#1AC31 1DVAA	1	J					Q5	Left
3									COVER, Front Seat Cushion
	#1AC32 1DVAA	1	J					Q5	Right
	#1AC33 1DVAA	1	J					Q5	Left
4	5093 573AA	2	J					Q5	WIRE KIT, Trimming
5									FOAM, Seat Cushion
	5093 574AA	1	J					Q5	Right
	5093 575AA	1	J					Q5	Left
6	5093 572AA	2	J					Q5	FRAME, Front Seat
7	5093 667AA	1	J					Q5	KNOB, Seat Back Latch
8	5093 666AA	1	J					Q5	BEZEL, Seat Release
9									CABLE, Seat Back Release
	5093 669AA	1	J					Q5	Up to 9/8/03
	#5093 669AB	1	J					Q5	After 9/8/03
-10									SCREW, Trim, Cable Release to Recliner
	5072 741AA	2	J					Q5	Up to 9/8/03
	#5135 791AA	2	J					Q5	After 9/8/03



JEEP WRANGLER (TJ)

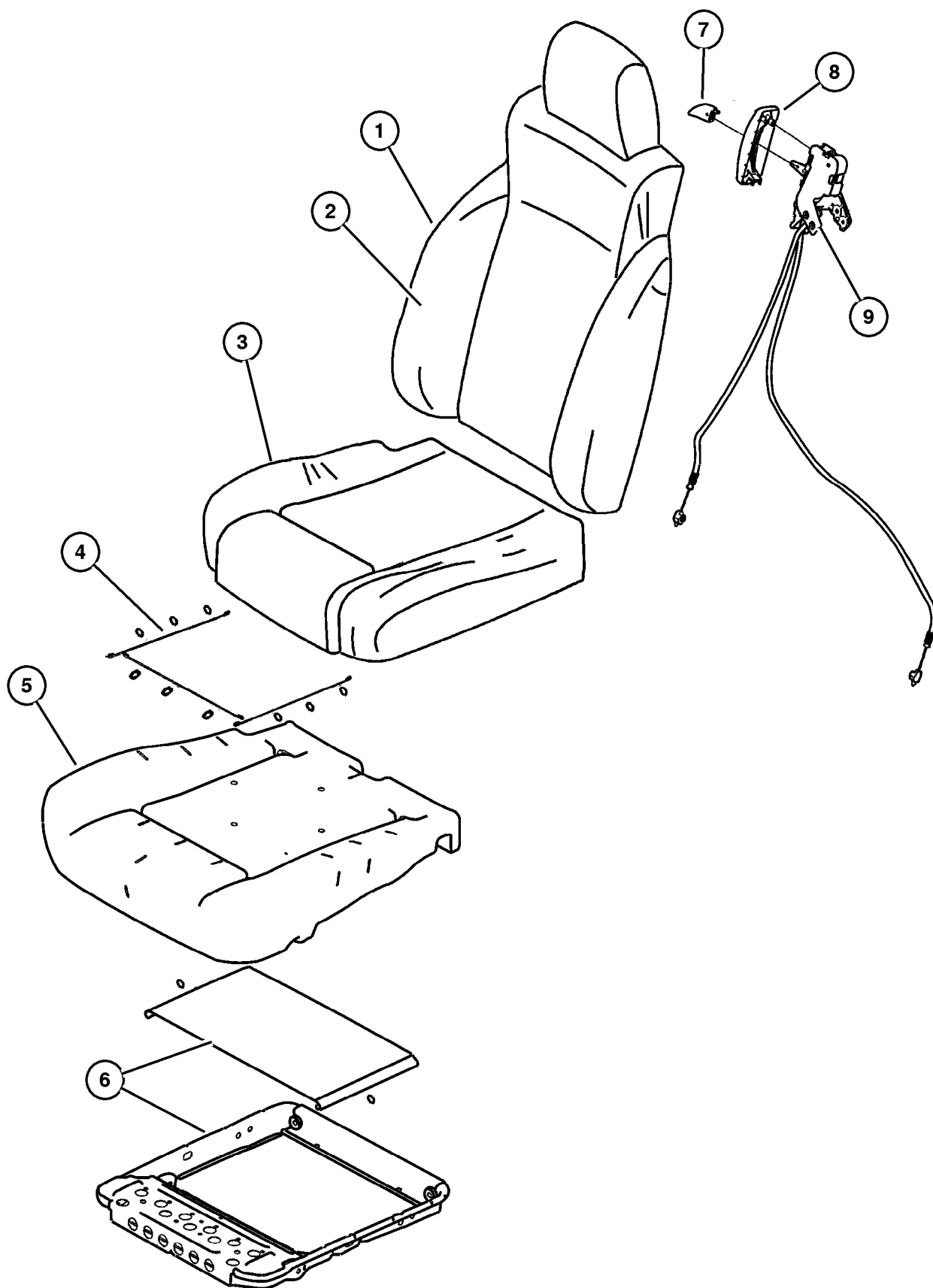
SERIES	LINE	BODY	ENGINE	TRANSMISSION
H = Sport	J = Wrangler 4WD	77 = 93.4 WB	ED1, ED0 = 2.4L DOHC	DGG, DGD = 32RH 3 Spd. Auto.
L = SE	U = Wrangler 4WD (RHD)		ERH = 4.0L Power Tech	DDD = 5 Speed HD Manual
M = X				DG0 = Auto. Trans.
P = Sahara				DBB = Manual Trans.
S = Rubicon				DDK = 5 Speed Manual

AR = Use as required - = Non illustrated part # = New this model year

January 6, 2004

Front, Cloth, Trim Code [L5]  
Figure ITJ-550

ITEM	PART NUMBER	QTY	LINE	SERIES	BODY	ENGINE	TRANS	TRIM	DESCRIPTION
1									BACK, Front Seat
	#1AD22 1DVAA	1	J					L5	Right
	#1AD23 1DVAA	1	J					L5	Left
2									COVER, Front Seat Back
	#1AD18 1DVAA	1	J					L5	Right
	#1AD19 1DVAA	1	J					L5	Left
3									COVER, Front Seat Cushion
	#1AD24 1DVAA	1	J					L5	Right
	#1AD25 1DVAA	1	J					L5	Left
4	5093 573AA	1	J					L5	WIRE KIT, Trimming
5									FOAM, Seat Cushion
	5093 575AA	1	J					L5	Left
	5093 574AA	1	J					L5	Right
6	5093 572AA	2	J					L5	FRAME, Front Seat
7	5093 667AA	1	J					L5	KNOB, Seat Back Latch
8	5093 666AA	1	J					L5	BEZEL, Seat Release
9	#5093 669AB	1	J					L5	CABLE, Seat Back Release
-10	#5135 791AA	2	J					L5	SCREW, Trim, Cable Release to Recliner



JEEP WRANGLER (TJ)

SERIES	LINE	BODY	ENGINE	TRANSMISSION
H = Sport	J = Wrangler 4WD	77 = 93.4 WB	ED1, ED0 = 2.4L DOHC	DGG, DGD = 32RH 3 Spd. Auto.
L = SE	U = Wrangler 4WD (RHD)		ERH = 4.0L Power Tech	DDD = 5 Speed HD Manual
M = X				DG0 = Auto. Trans.
P = Sahara				DBB = Manual Trans.
S = Rubicon				DDK = 5 Speed Manual

AR = Use as required - = Non illustrated part # = New this model year

January 6, 2004

Front, Cloth, Trim Code [H5]  
Figure ITJ-560

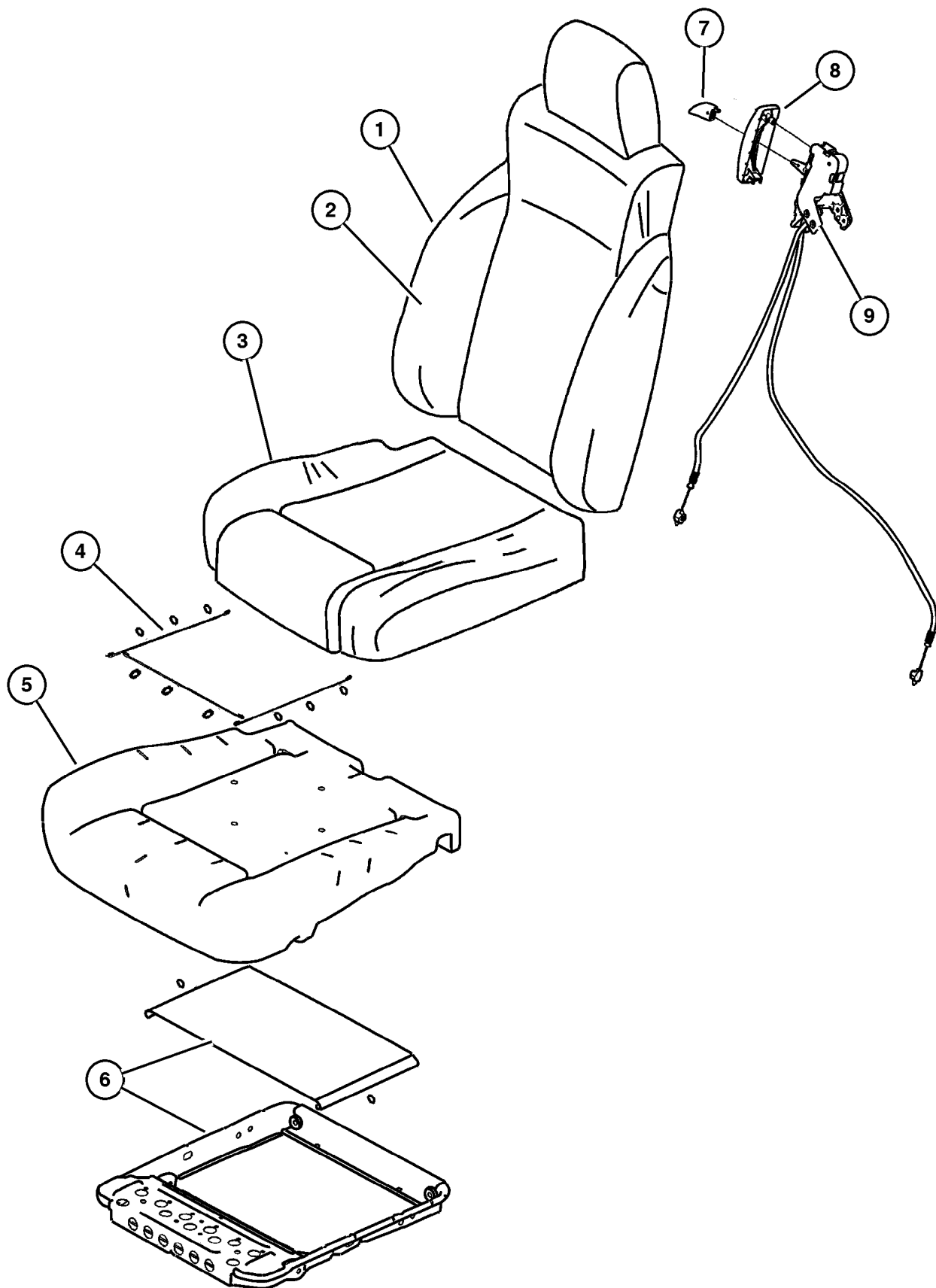
ITEM	PART NUMBER	QTY	LINE	SERIES	BODY	ENGINE	TRANS	TRIM	DESCRIPTION
1									BACK, Front Seat
	#1AP64 1DVAA	1	J		77			H5	Right
	#1AP65 1DVAA	1	J		77			H5	Left
	#1AP64 1DVAA	1	U		77			H5	Right
	#1AP65 1DVAA	1	U		77			H5	Left
2									COVER, Front Seat Back
	#1AP66 1DVAA	1	J		77			H5	Right
	#1AP67 1DVAA	1	J		77			H5	Left
	#1AP66 1DVAA	1	U		77			H5	Right
	#1AP67 1DVAA	1	U		77			H5	Left
3									COVER, Front Seat Cushion
	#1AD24 1DVAA	1	J		77			H5	Right
	#1AD25 1DVAA	1	J		77			H5	Left
	#1AD24 1DVAA	1	U		77			H5	Right
	#1AD25 1DVAA	1	U		77			H5	Left
4									WIRE KIT, Trimming
	5093 573AA	1	U		77			H5	
		1	J		77			H5	
5									FOAM, Seat Cushion
	5093 575AA	1	U		77			H5	Left
		1	J		77			H5	Left
	5093 574AA	1	U		77			H5	Right
		1	J		77			H5	Right
6									FRAME, Front Seat
	5093 572AA	2	U		77			H5	
		2	J		77			H5	
7									KNOB, Seat Back Latch
	5093 667AA	1	U		77			H5	
		1	J		77			H5	
8									BEZEL, Seat Release
	5093 666AA	1	U		77			H5	
		1	J		77			H5	
9									CABLE, Seat Back Release
	#5093 669AB	1	U		77			H5	
		1	J		77			H5	
-10									SCREW, Trim, Cable Release to Recliner
	#5135 791AA	2	U		77			H5	
		2	J		77			H5	

JEEP WRANGLER (TJ)

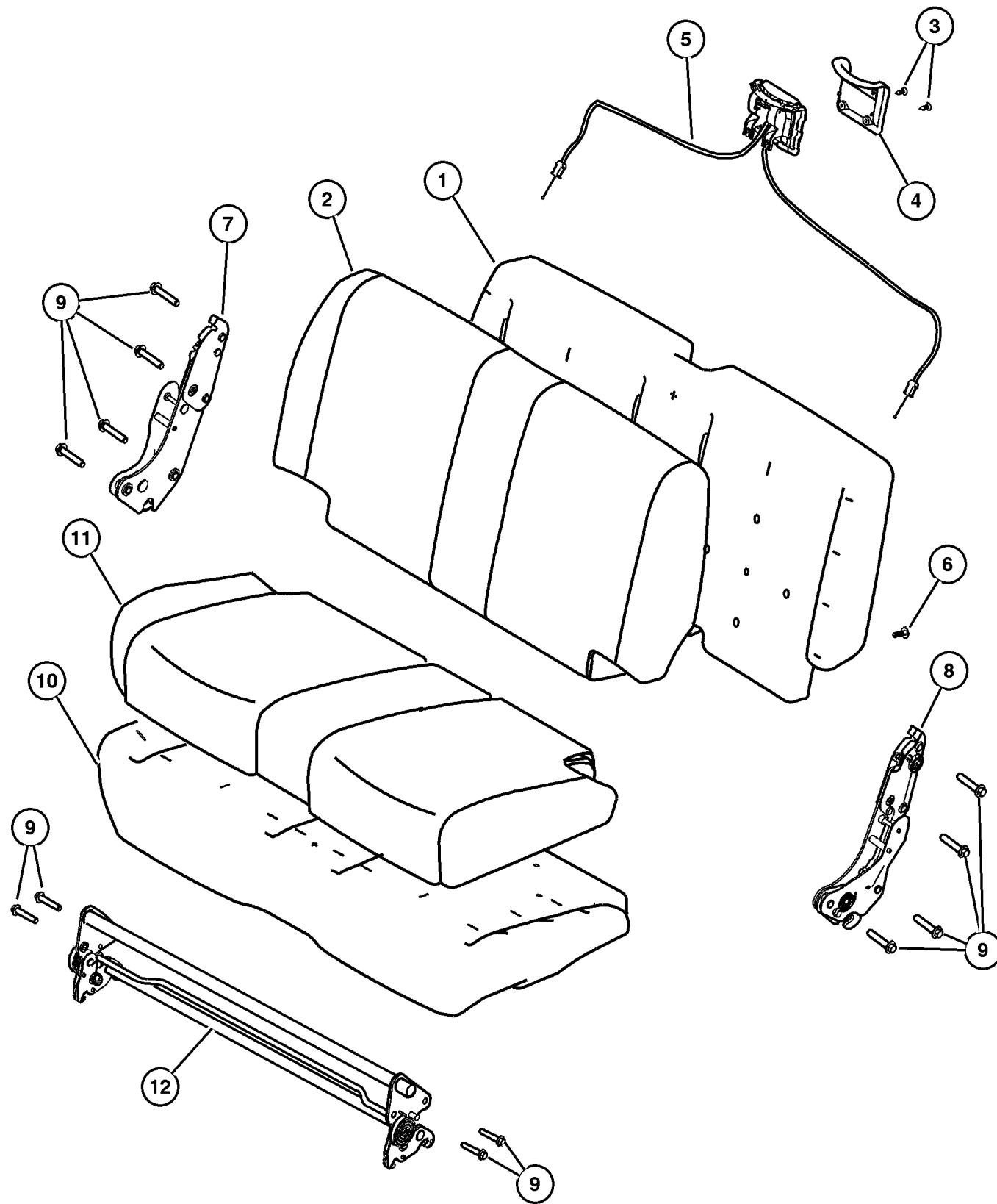
SERIES	LINE	BODY	ENGINE	TRANSMISSION
H = Sport	J = Wrangler 4WD	77 = 93.4 WB	ED1, ED0 = 2.4L DOHC	DGG, DGD = 32RH 3 Spd. Auto.
L = SE	U = Wrangler 4WD (RHD)		ERH = 4.0L Power Tech	DDD = 5 Speed HD Manual
M = X				DG0 = Auto. Trans.
P = Sahara				DBB = Manual Trans.
S = Rubicon				DDK = 5 Speed Manual

AR = Use as required - = Non illustrated part # = New this model year

January 6, 2004



Rear, Vinyl, Trim Code [H6]  
Figure ITJ-610



ITEM	PART NUMBER	QTY	LINE	SERIES	BODY	ENGINE	TRANS	TRIM	DESCRIPTION
1									SEAT BACK, Rear
	XU23 1DVAA	1	J		77			H6	[DV]
		1	U		77			H6	[DV]
	XU23 1J3AA	1	J		77			H6	[J3]
		1	U		77			H6	[J3]
2									COVER, Rear Seat Back
	XU19 1DVAA	1	J		77			H6	[DV]
		1	U		77			H6	[DV]
	XU19 1J3AA	1	J		77			H6	[J3]
		1	U		77			H6	[J3]
3									SCREW, Trim
	5072 741AA	2	U		77			H6	
		2	J		77			H6	
4									COVER, Seat latch
	5093 702AA	1	J		77			H6	
		1	U		77			H6	
5									CABLE, REAR SEAT RELEASE
	5093 668AA	1	J		77			H6	
		1	U		77			H6	
6									RETAINER, Cushion Cover
	5019 522AA	4	U		77			H6	
		4	J		77			H6	
7									LATCH, Seat
	5093 586AA	1	J		77			H6	Right
		1	U		77			H6	Right
8									LATCH, Seat
	5093 587AA	1	U		77			H6	Left
		1	J		77			H6	Left
9									BOLT, Latch Seat Back
	5093 646AA	12	U		77			H6	
		12	J		77			H6	
10									CUSHION, Rear Seat
	XU33 1DVAA	1	J		77			H6	[DV]
		1	U		77			H6	[DV]
	XU33 1J3AA	1	J		77			H6	[J3]
		1	U		77			H6	[J3]
11									COVER, Rear Seat Cushion
	XU27 1DVAA	1	J		77			H6	[DV]
		1	U		77			H6	[DV]
	XU27 1J3AA	1	U		77			H6	[J3]
		1	J		77			H6	[J3]
12									BRACKET, Rear Seat Mount

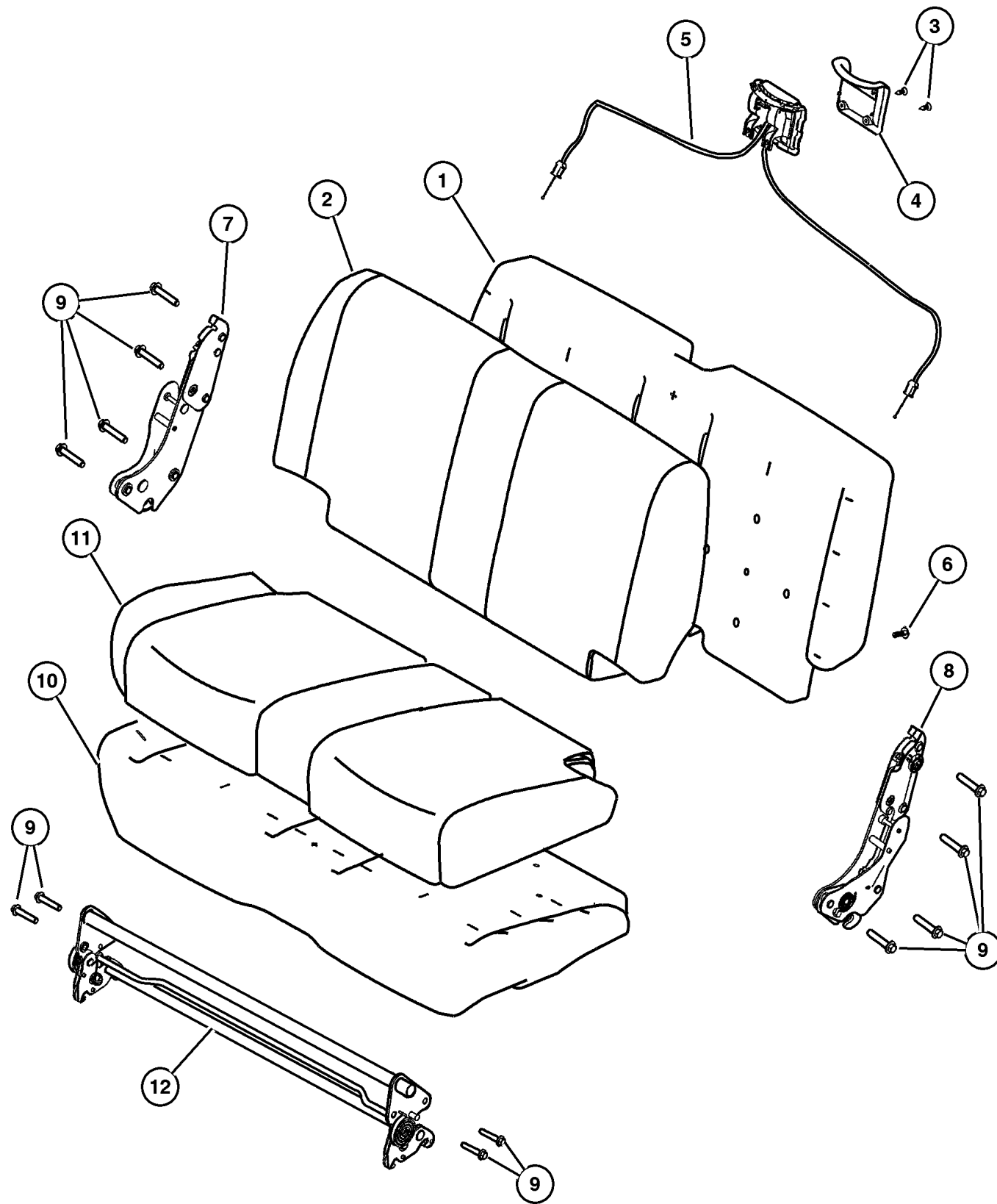
JEEP WRANGLER (TJ)

SERIES	LINE	BODY	ENGINE	TRANSMISSION
H = Sport	J = Wrangler 4WD	77 = 93.4 WB	ED1, ED0 = 2.4L DOHC	DGG, DGD = 32RH 3 Spd. Auto.
L = SE	U = Wrangler 4WD (RHD)		ERH = 4.0L Power Tech	DDD = 5 Speed HD Manual
M = X				DG0 = Auto. Trans.
P = Sahara				DBB = Manual Trans.
S = Rubicon				DDK = 5 Speed Manual

AR = Use as required - = Non illustrated part # = New this model year

January 6, 2004

Rear, Vinyl, Trim Code [H6]  
Figure ITJ-610



ITEM	PART NUMBER	QTY	LINE	SERIES	BODY	ENGINE	TRANS	TRIM	DESCRIPTION
	5093 670AA	1	J		77			H6	
		1	U		77			H6	

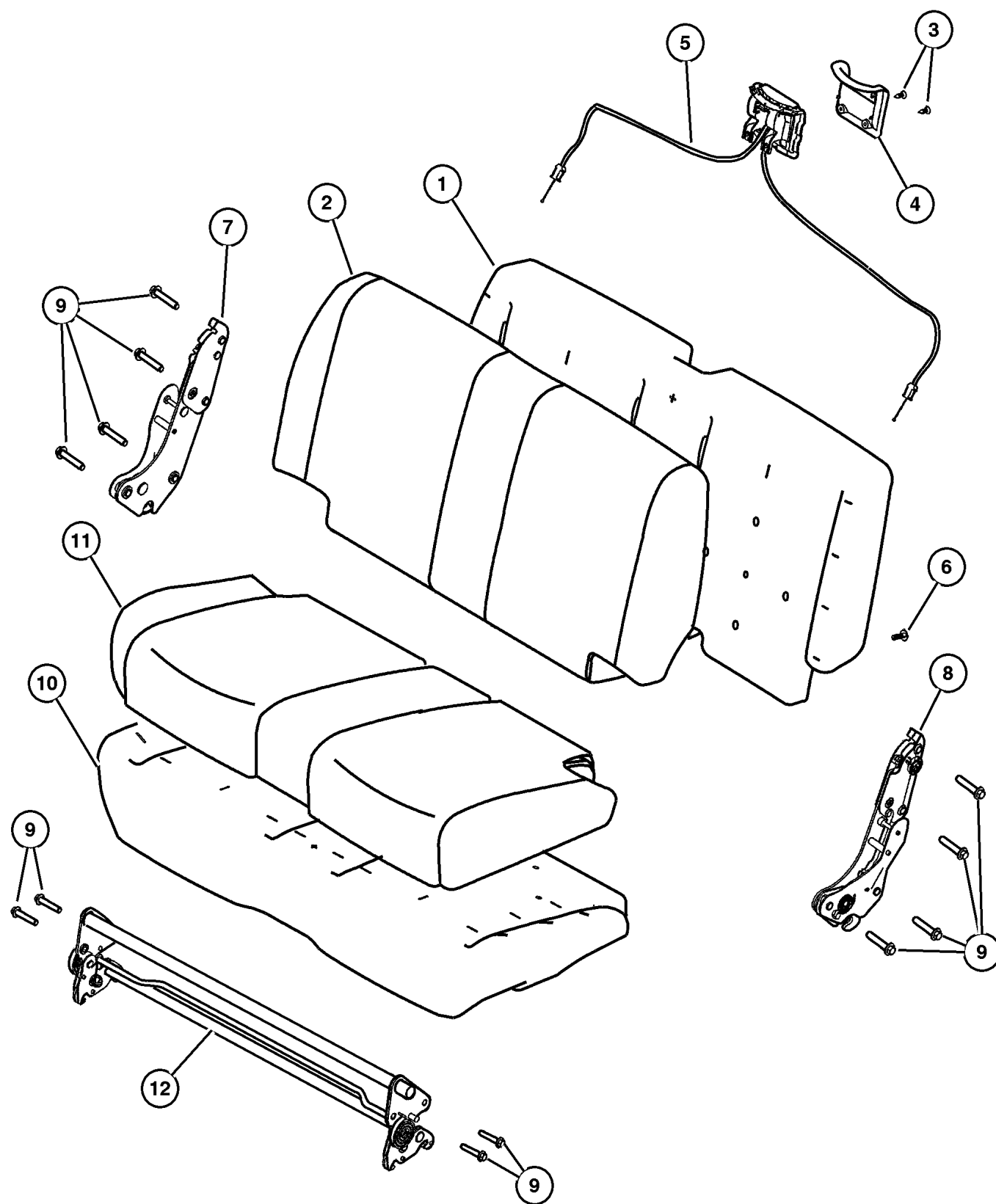
JEEP WRANGLER (TJ)

SERIES	LINE	BODY	ENGINE	TRANSMISSION
H = Sport	J = Wrangler 4WD	77 = 93.4 WB	ED1, ED0 = 2.4L DOHC	DGG, DGD = 32RH 3 Spd. Auto.
L = SE	U = Wrangler 4WD (RHD)		ERH = 4.0L Power Tech	DDD = 5 Speed HD Manual
M = X				DG0 = Auto. Trans.
P = Sahara				DBB = Manual Trans.
S = Rubicon				DDK = 5 Speed Manual

AR = Use as required - = Non illustrated part # = New this model year

January 6, 2004

Rear, Cloth, Trim Code [P5]  
Figure ITJ-620



ITEM	PART NUMBER	QTY	LINE	SERIES	BODY	ENGINE	TRANS	TRIM	DESCRIPTION
1									SEAT BACK, Rear
	XU50 1DVAA	1	J					P5	[DV]
		1	U		77			P5	[DV]
	XU50 1J3AA	1	J		77			P5	[J3]
		1	U		77			P5	[J3]
2									COVER, Rear Seat Back
	XU39 1DVAA	1	J					P5	[DV]
		1	U		77			P5	[DV]
	XU39 1J3AA	1	J		77			P5	[J3]
		1	U		77			P5	[J3]
3									SCREW, Trim
	5072 741AA	2	U		77			P5	
		2	J					P5	
4									COVER, Seat latch
	5093 702AA	1	J					P5	
		1	U		77			P5	
5									CABLE, REAR SEAT RELEASE
	5093 668AA	1	J					P5	
		1	U		77			P5	
6									RETAINER, Cushion Cover
	5019 522AA	4	J					P5	
		4	U		77			P5	
7									LATCH, Seat Right
	5093 586AA	1	U		77			P5	
		1	J					P5	
8									LATCH, Seat Left
	5093 587AA	1	U		77			P5	
		1	J					P5	
9									BOLT, Latch Seat Back
	5093 646AA	12	U		77			P5	
		12	J					P5	
10									CUSHION, Rear Seat
	XU52 1DVAA	1	U		77			P5	[DV]
		1	J					P5	[DV]
	XU52 1J3AA	1	J		77			P5	[J3]
		1	U		77			P5	[J3]
11									COVER, Rear Seat Cushion
	XU51 1DVAA	1	U		77			P5	[DV]
		1	J					P5	[DV]
	XU51 1J3AA	1	J		77			P5	[J3]
		1	U		77			P5	[J3]
12									BRACKET, Rear Seat Mount

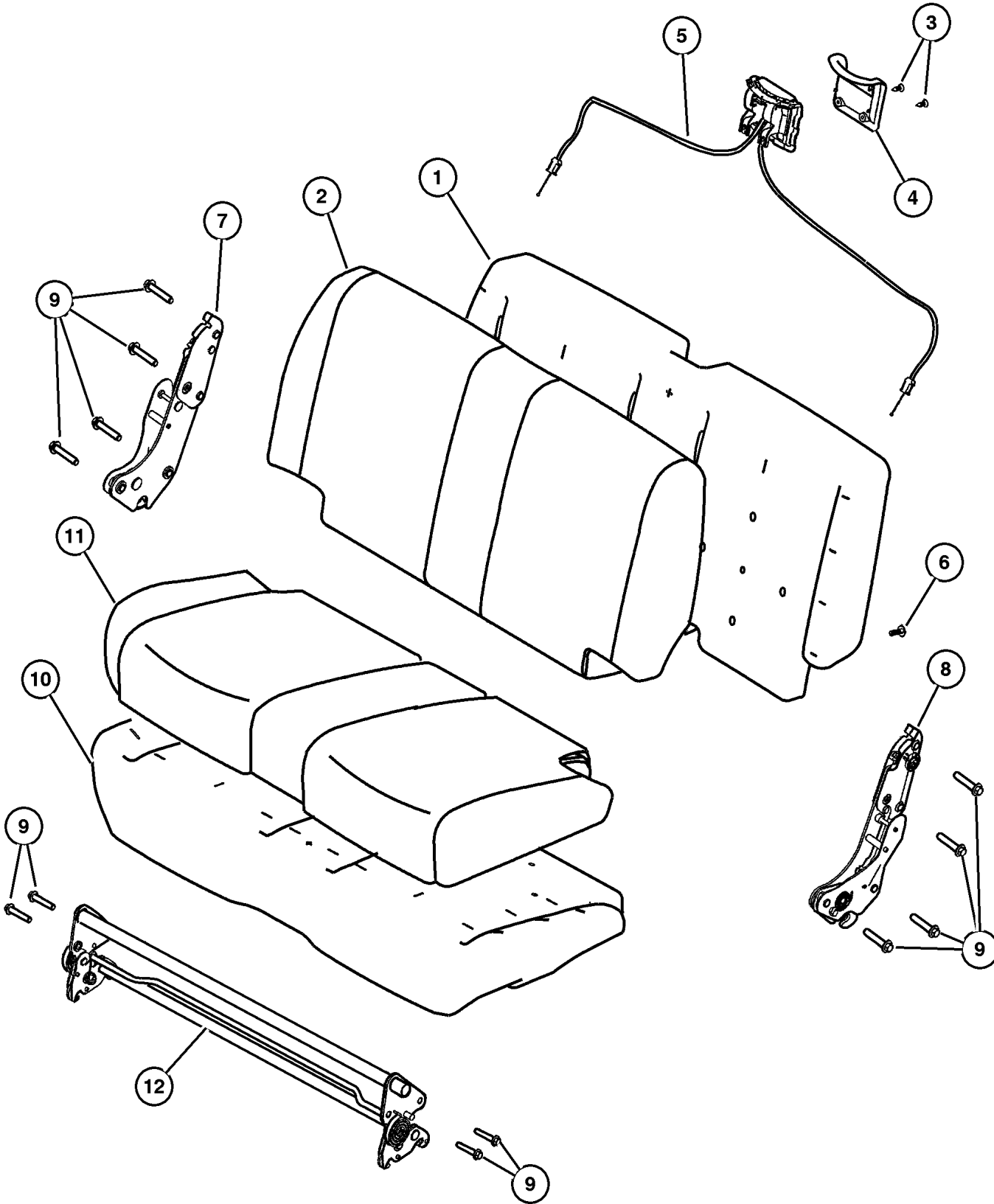
JEEP WRANGLER (TJ)

SERIES	LINE	BODY	ENGINE	TRANSMISSION
H = Sport	J = Wrangler 4WD	77 = 93.4 WB	ED1, ED0 = 2.4L DOHC	DGG, DGD = 32RH 3 Spd. Auto.
L = SE	U = Wrangler 4WD (RHD)		ERH = 4.0L Power Tech	DDD = 5 Speed HD Manual
M = X				DG0 = Auto. Trans.
P = Sahara				DBB = Manual Trans.
S = Rubicon				DDK = 5 Speed Manual

AR = Use as required - = Non illustrated part # = New this model year

January 6, 2004

Rear, Cloth, Trim Code [P5]  
Figure ITJ-620



ITEM	PART NUMBER	QTY	LINE	SERIES	BODY	ENGINE	TRANS	TRIM	DESCRIPTION
	5093 670AA	1	U		77			P5	
		1	J					P5	

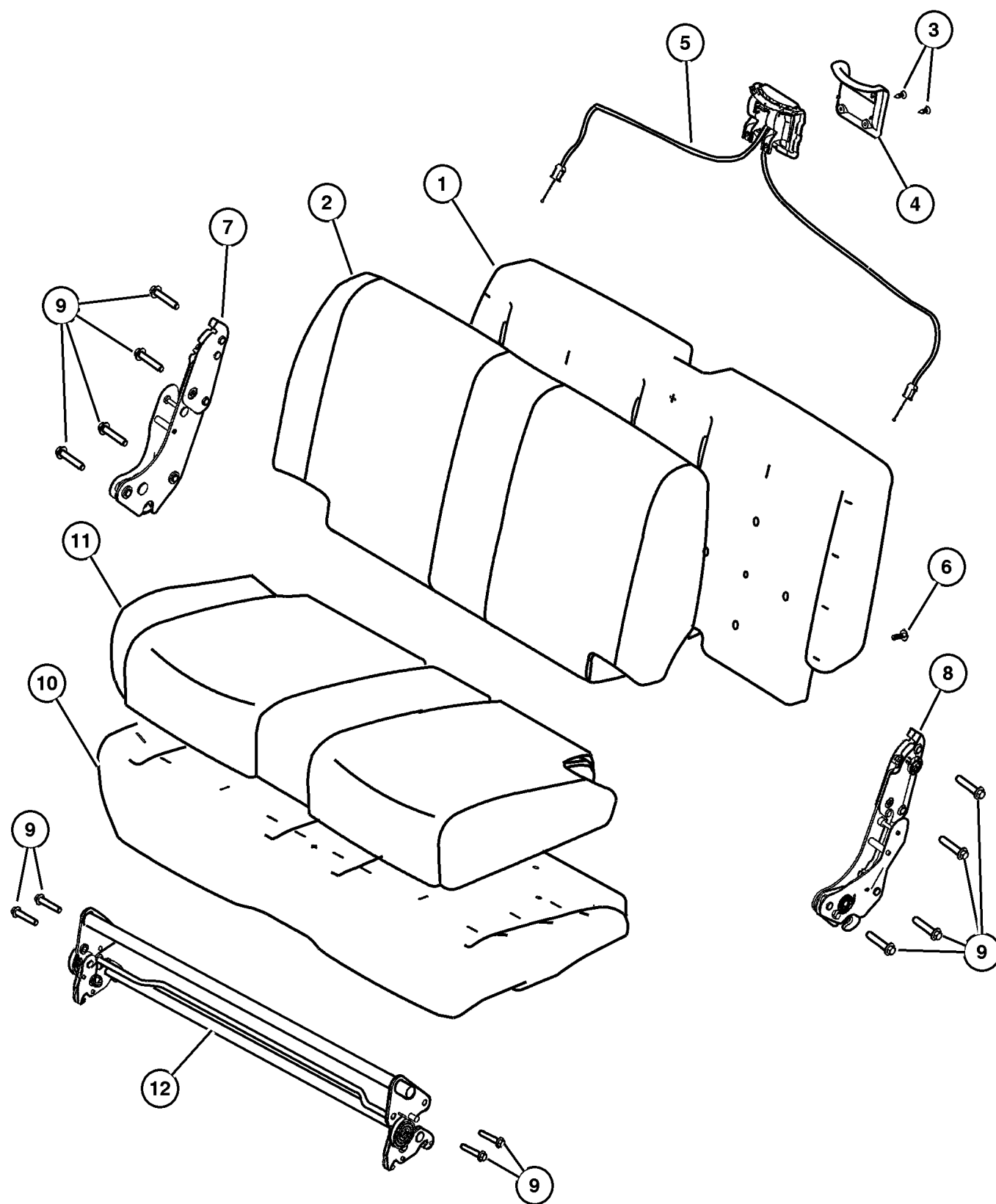
JEEP WRANGLER (TJ)

SERIES	LINE	BODY	ENGINE	TRANSMISSION
H = Sport	J = Wrangler 4WD	77 = 93.4 WB	ED1, ED0 = 2.4L DOHC	DGG, DGD = 32RH 3 Spd. Auto.
L = SE	U = Wrangler 4WD (RHD)		ERH = 4.0L Power Tech	DDD = 5 Speed HD Manual
M = X				DG0 = Auto. Trans.
P = Sahara				DBB = Manual Trans.
S = Rubicon				DDK = 5 Speed Manual

AR = Use as required - = Non illustrated part # = New this model year

January 6, 2004

Rear, Cloth, Trim Code [S5]  
Figure ITJ-630



ITEM	PART NUMBER	QTY	LINE	SERIES	BODY	ENGINE	TRANS	TRIM	DESCRIPTION
1									SEAT BACK, Rear
	XU69 1J3AA	1	U					S5	
		1	J		77			S5	
2									COVER, Rear Seat Back
	XU68 1J3AA	1	U					S5	
		1	J		77			S5	
3									SCREW, Trim
	5072 741AA	2	J		77			S5	
		2	U					S5	
4									COVER, Seat latch
	5093 702AA	1	U					S5	
		1	J		77			S5	
5									CABLE, REAR SEAT RELEASE
	5093 668AA	1	U					S5	
		1	J					S5	
6									RETAINER, Cushion Cover
	5019 522AA	4	U					S5	
		4	J		77			S5	
7									LATCH, Seat, Right
	5093 586AA	1	J		77			S5	
		1	U					S5	
8									LATCH, Seat, Left
	5093 587AA	1	J		77			S5	
		1	U					S5	
9									BOLT, Latch Seat Back
	5093 646AA	12	U					S5	
		12	J		77			S5	
10									CUSHION, Rear Seat
	XU78 1J3AA	1	J		77			S5	
		1	U		77			S5	
11									COVER, Rear Seat Cushion
	XU77 1J3AA	1	U					S5	
		1	J		77			S5	
12									BRACKET, Rear Seat Mount
	5093 670AA	1	J		77			S5	
		1	U		77			S5	

JEEP WRANGLER (TJ)

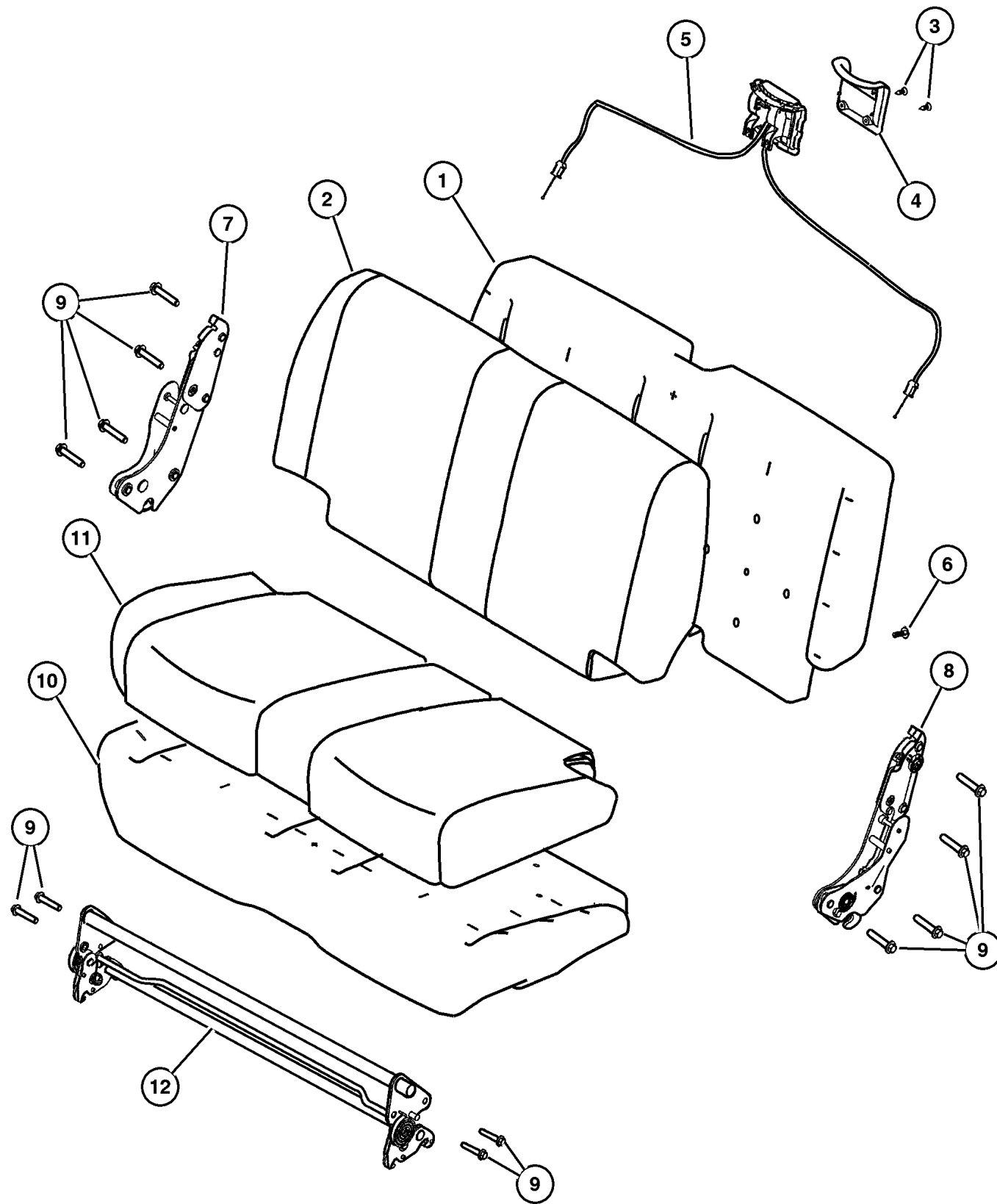
SERIES	LINE	BODY	ENGINE	TRANSMISSION
H = Sport	J = Wrangler 4WD	77 = 93.4 WB	ED1, ED0 = 2.4L DOHC	DGG, DGD = 32RH 3 Spd. Auto.
L = SE	U = Wrangler 4WD (RHD)		ERH = 4.0L Power Tech	DDD = 5 Speed HD Manual
M = X				DG0 = Auto. Trans.
P = Sahara				DBB = Manual Trans.
S = Rubicon				DDK = 5 Speed Manual

AR = Use as required - = Non illustrated part # = New this model year

January 6, 2004



Rear, Cloth, Trim Code [Q5]  
Figure ITJ-640



ITEM	PART NUMBER	QTY	LINE	SERIES	BODY	ENGINE	TRANS	TRIM	DESCRIPTION
1	#1AC34 1DVAA	1	J					Q5	SEAT BACK, Rear
2	#1AC35 1DVAA	1	J					Q5	COVER, Rear Seat Back
3	5072 741AA	2	J					Q5	SCREW, Trim
4	5093 702AA	1	J					Q5	COVER, Seat latch
5	5093 668AA	1	J					Q5	CABLE, REAR SEAT RELEASE
6	5019 522AA	4	J					Q5	RETAINER, Cushion Cover
7	5093 586AA	1	J					Q5	LATCH, Seat, Right
8	5093 587AA	1	J					Q5	LATCH, Seat, Left
9	5093 646AA	12	J					Q5	BOLT, Latch Seat Back
10	#1AC36 1DVAA	1	J					Q5	CUSHION, Rear Seat
11	#1AC37 1DVAA	1	J					Q5	COVER, Rear Seat Cushion
12	5093 670AA	1	J					Q5	BRACKET, Rear Seat Mount

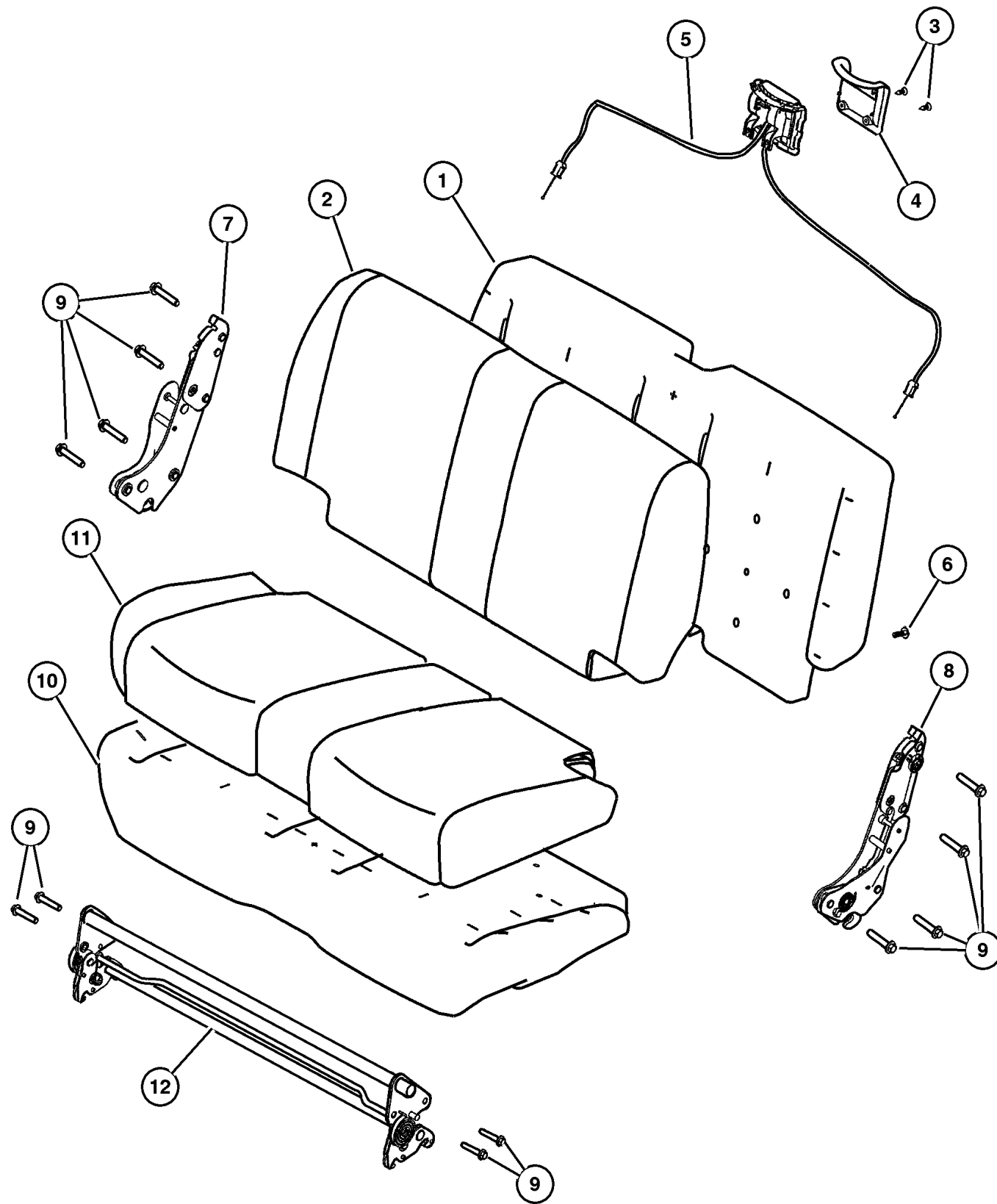
JEEP WRANGLER (TJ)

SERIES	LINE	BODY	ENGINE	TRANSMISSION
H = Sport	J = Wrangler 4WD	77 = 93.4 WB	ED1, ED0 = 2.4L DOHC	DGG, DGD = 32RH 3 Spd. Auto.
L = SE	U = Wrangler 4WD (RHD)		ERH = 4.0L Power Tech	DDD = 5 Speed HD Manual
M = X				DG0 = Auto. Trans.
P = Sahara				DBB = Manual Trans.
S = Rubicon				DDK = 5 Speed Manual

AR = Use as required - = Non illustrated part # = New this model year

January 6, 2004

Rear, Cloth, Trim Code [L5]  
Figure ITJ-650



ITEM	PART NUMBER	QTY	LINE	SERIES	BODY	ENGINE	TRANS	TRIM	DESCRIPTION
1	#1AD26 1DVAA	1	J					L5	SEAT BACK, Rear
2	#1AD21 1DVAA	1	J					L5	COVER, Rear Seat Back
3	5072 741AA	2	J					L5	SCREW, Trim
4	5093 702AA	1	J					L5	COVER, Seat latch
5	5093 668AA	1	J					L5	CABLE, REAR SEAT RELEASE
6	5019 522AA	4	J					L5	RETAINER, Cushion Cover
7	5093 586AA	1	J					L5	LATCH, Seat, Right
8	5093 587AA	1	J					L5	LATCH, Seat, Left
9	5093 646AA	12	J					L5	BOLT, Latch Seat Back
10	#1AD28 1DVAA	1	J					L5	CUSHION, Rear Seat
11	#1AD27 1DVAA	1	J					L5	COVER, Rear Seat Cushion
12	5093 670AA	1	J					L5	BRACKET, Rear Seat Mount

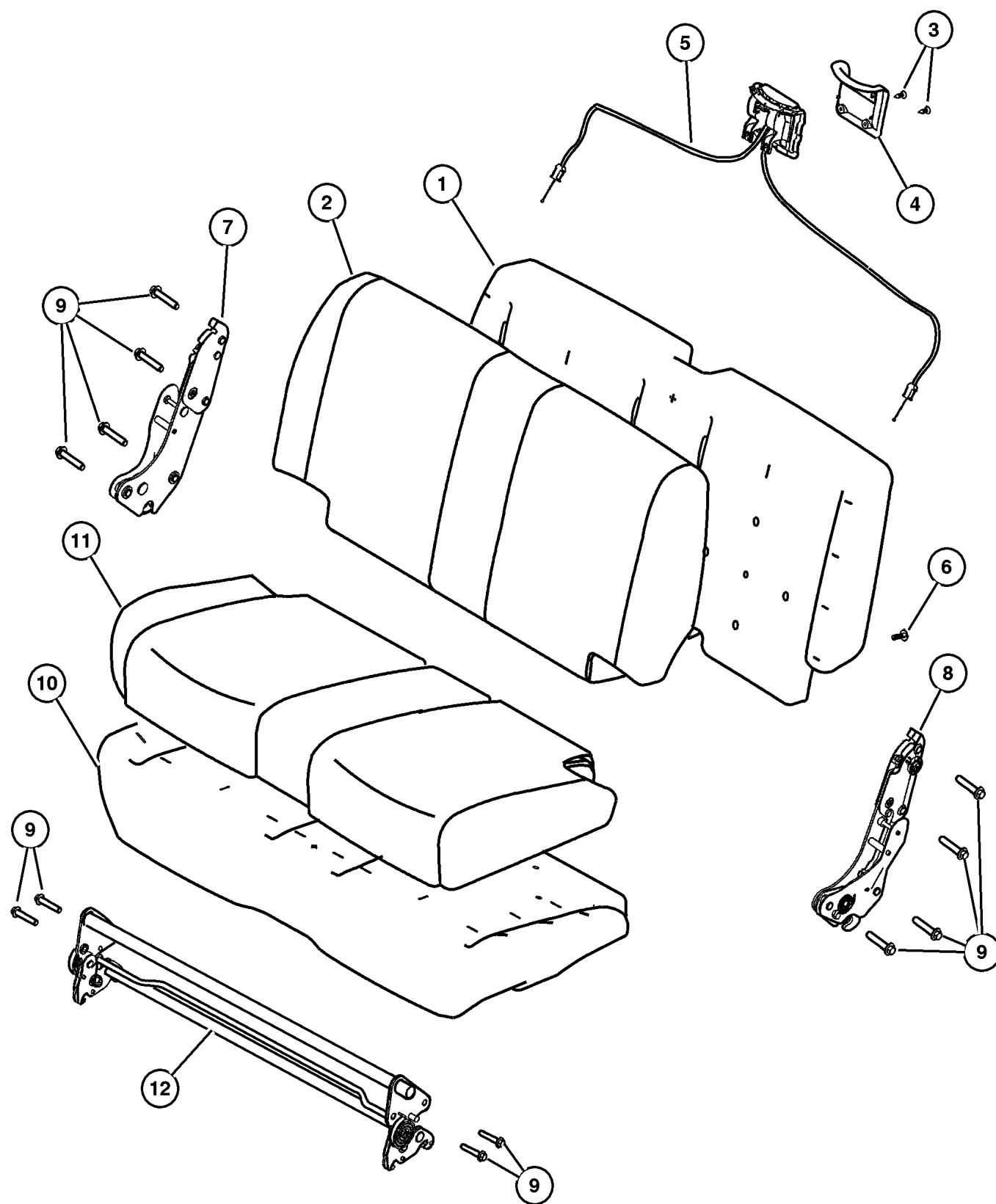
JEEP WRANGLER (TJ)

SERIES	LINE	BODY	ENGINE	TRANSMISSION
H = Sport	J = Wrangler 4WD	77 = 93.4 WB	ED1, ED0 = 2.4L DOHC	DGG, DGD = 32RH 3 Spd. Auto.
L = SE	U = Wrangler 4WD (RHD)		ERH = 4.0L Power Tech	DDD = 5 Speed HD Manual
M = X				DG0 = Auto. Trans.
P = Sahara				DBB = Manual Trans.
S = Rubicon				DDK = 5 Speed Manual

AR = Use as required - = Non illustrated part # = New this model year

January 6, 2004

Rear, Cloth, Trim Code [H5]  
Figure ITJ-660



ITEM	PART NUMBER	QTY	LINE	SERIES	BODY	ENGINE	TRANS	TRIM	DESCRIPTION
1									SEAT BACK, Rear
	#1AD26 1DVAA	1	J		77			H5	
		1	U		77			H5	
2									COVER, Rear Seat Back
	#1AD21 1DVAA	1	J		77			H5	
		1	U		77			H5	
3									SCREW, Trim
	5072 741AA	2	U		77			H5	
		2	J		77			H5	
4									COVER, Seat latch
	5093 702AA	1	U		77			H5	
		1	J		77			H5	
5									CABLE, REAR SEAT RELEASE
	5093 668AA	1	U		77			H5	
		1	J		77			H5	
6									RETAINER, Cushion Cover
	5019 522AA	4	U		77			H5	
		4	J		77			H5	
7									LATCH, Seat
	5093 586AA	1	U		77			H5	Right
		1	J		77			H5	Right
8									LATCH, Seat
	5093 587AA	1	U		77			H5	Left
		1	J		77			H5	Left
9									BOLT, Latch Seat Back
	5093 646AA	12	U		77			H5	
		12	J		77			H5	
10									CUSHION, Rear Seat
	#1AD28 1DVAA	1	J		77			H5	
		1	U		77			H5	
11									COVER, Rear Seat Cushion
	#1AD27 1DVAA	1	J		77			H5	
		1	U		77			H5	
12									BRACKET, Rear Seat Mount
	5093 670AA	1	U		77			H5	
		1	J		77			H5	

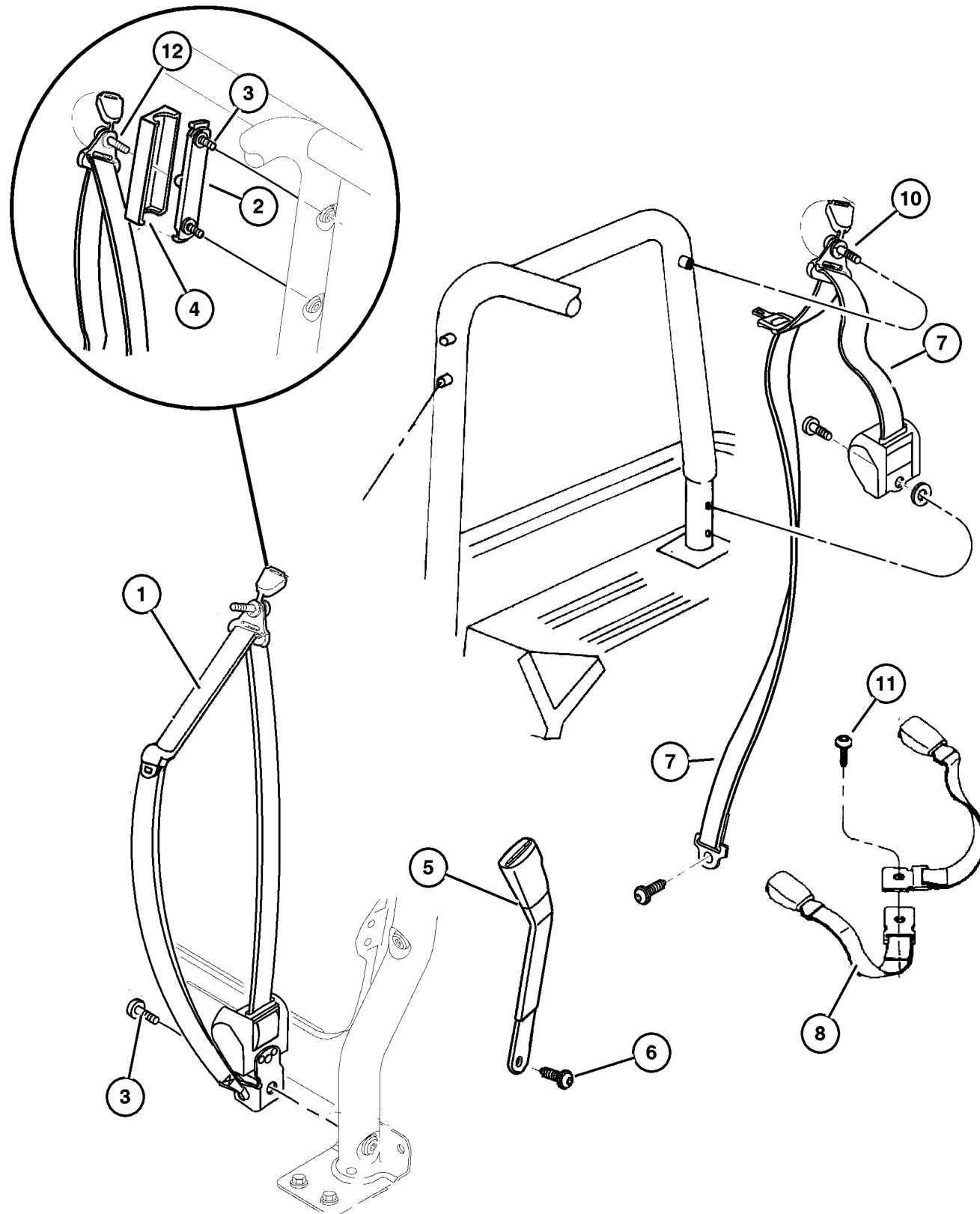
JEEP WRANGLER (TJ)

SERIES	LINE	BODY	ENGINE	TRANSMISSION
H = Sport	J = Wrangler 4WD	77 = 93.4 WB	ED1, ED0 = 2.4L DOHC	DGG, DGD = 32RH 3 Spd. Auto.
L = SE	U = Wrangler 4WD (RHD)		ERH = 4.0L Power Tech	DDD = 5 Speed HD Manual
M = X				DG0 = Auto. Trans.
P = Sahara				DBB = Manual Trans.
S = Rubicon				DDK = 5 Speed Manual

AR = Use as required - = Non illustrated part # = New this model year

January 6, 2004

## Seat Belts Figure ITJ-710



ITEM	PART NUMBER	QTY	LINE	SERIES	BODY	ENGINE	TRANS	TRIM	DESCRIPTION
1									SEAT BELT, Front Outer
	5JC54 1X9AB	1							Right
	5JC55 1X9AC	1							Left
	5JC56 1X9AB	1			77				Right,Export
	5JC57 1X9AB	1			77				Left,Export
2	#55217 173AD	2							ADJUSTER, Seat Belt Turning Loop
3	6036 108AA	2							SCREW, Pan Head
4									COVER, Turning Loop
	5HM32 DX9AC	1		S					[DV], Right
		1		H, L, M					[DV], Right
	5HM32 ZJ3AC	1		P					[J3], Right
	5HM33 DX9AC	1		S					[DV], Left
		1		H, L, M					[DV], Left
	5HM33 ZJ3AC	1		P					[J3], Left
5									SEAT BELT, Front Inner
	5HS50 1X9AE	1	U		77			H5	Right
		1	J					L5	Right
	5HS49 1X9AE	1	J		77			P5	Left
		1	U		77			P5	Left
	5HS50 1X9AE	1	J		77			P5	Right
	5HS49 1X9AE	1	J		78			P5	Left
	5HS50 1X9AE	1	U		77			P5	Right
		1	J		78			P5	Right
		1	J					Q5	Right
	5HS49 1X9AE	1	J					Q5	Left
	5HS50 1X9AE	1	U		77			S5	Right
		1	J		77			H5	Right
	5HS49 1X9AE	1	J		77			S5	Left
		1	U		77			S5	Left
	5HS50 1X9AE	1	J		77			S5	Right
	5HS49 1X9AE	1	U		77			H5	Left
		1	J		77			H5	Left
	5HS50 1X9AE	1	J		77			H6	Right
		1	U		77			H6	Right
	5HS49 1X9AE	1	J		77			H6	Left
		1	U		77			H6	Left
		1	J					L5	Left
6									BOLT, Seat Belt, Front Traveling Inboard Buckle Mounting
	5093 709AA	2	U		77			H5	
		2	U					S5	

### JEEP WRANGLER (TJ)

#### SERIES

H = Sport

L = SE

M = X

P = Sahara

S = Rubicon

#### LINE

J = Wrangler 4WD

U = Wrangler 4WD (RHD)

#### BODY

77 = 93.4 WB

#### ENGINE

ED1, ED0 = 2.4L DOHC

ERH = 4.0L Power Tech

#### TRANSMISSION

DGG, DGD = 32RH 3 Spd.

Auto.

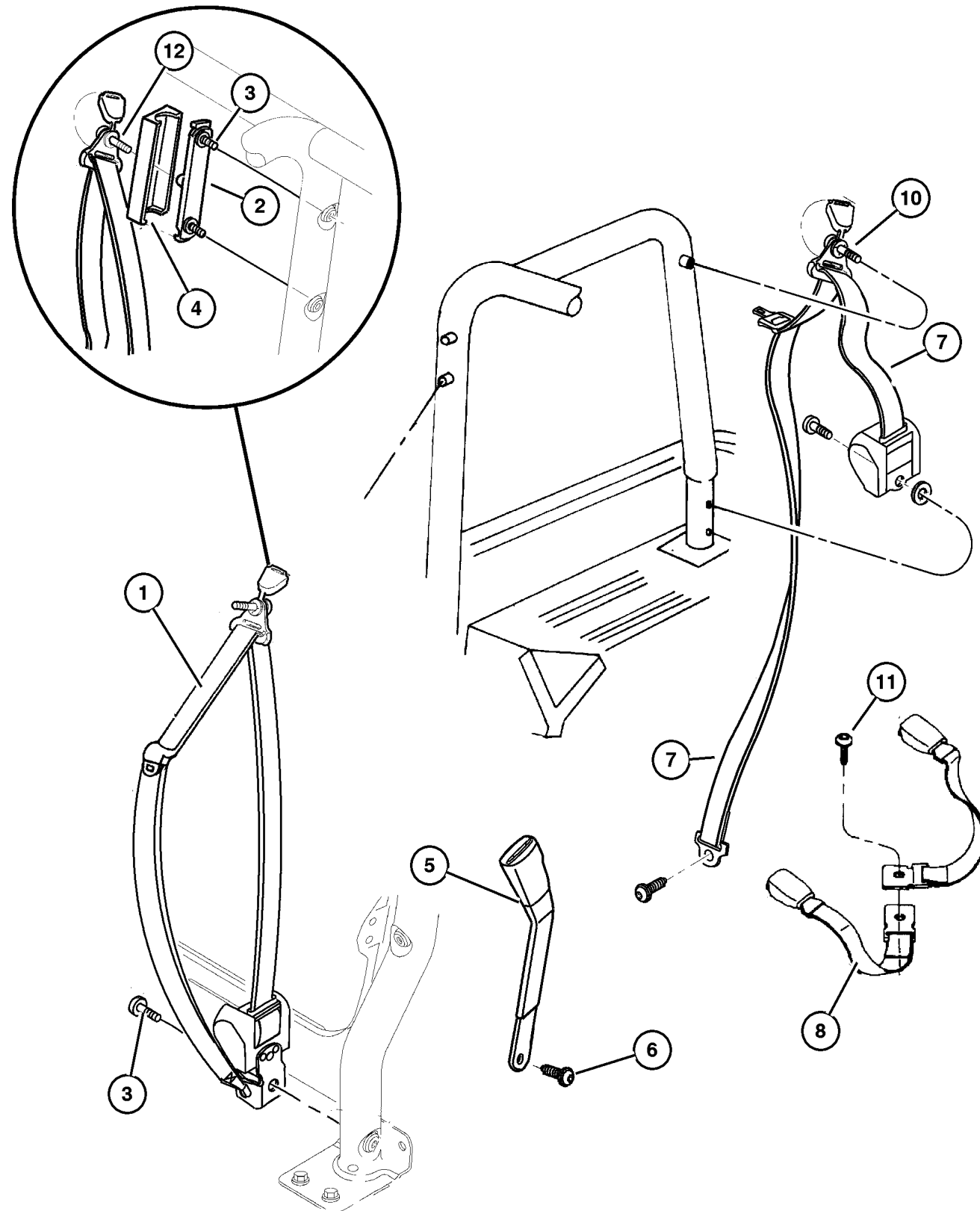
DDD = 5 Speed HD Manual

DG0 = Auto. Trans.

DBB = Manual Trans.

DDK = 5 Speed Manual

## Seat Belts Figure ITJ-710



ITEM	PART NUMBER	QTY	LINE	SERIES	BODY	ENGINE	TRANS	TRIM	DESCRIPTION
		2	J		77			H5	
		2	J					H6	
		2	U					H6	
		2	J					L5	
		2	U					P5	
		2	J					P5	
		2	J					Q5	
		2	J					S5	
7									SEAT BELT, Rear Outer Export
	5HV22 1X9AA	2							
	5HV21 1X9AA	2							
	#5JR64 1X9AB	2	J		78				
8	5JC53 1X9AB	1							SEAT BELT, Buckle Half
-9									EXTENDER, Seat Belt, (NOT SERVICED) (Not Serviced)
10	6036 438AA	2							BOLT, Seat Belt
11	6036 295AA	1							SCREW, Pan Head
12	6036 571AA	1							BOLT, Seat Belt

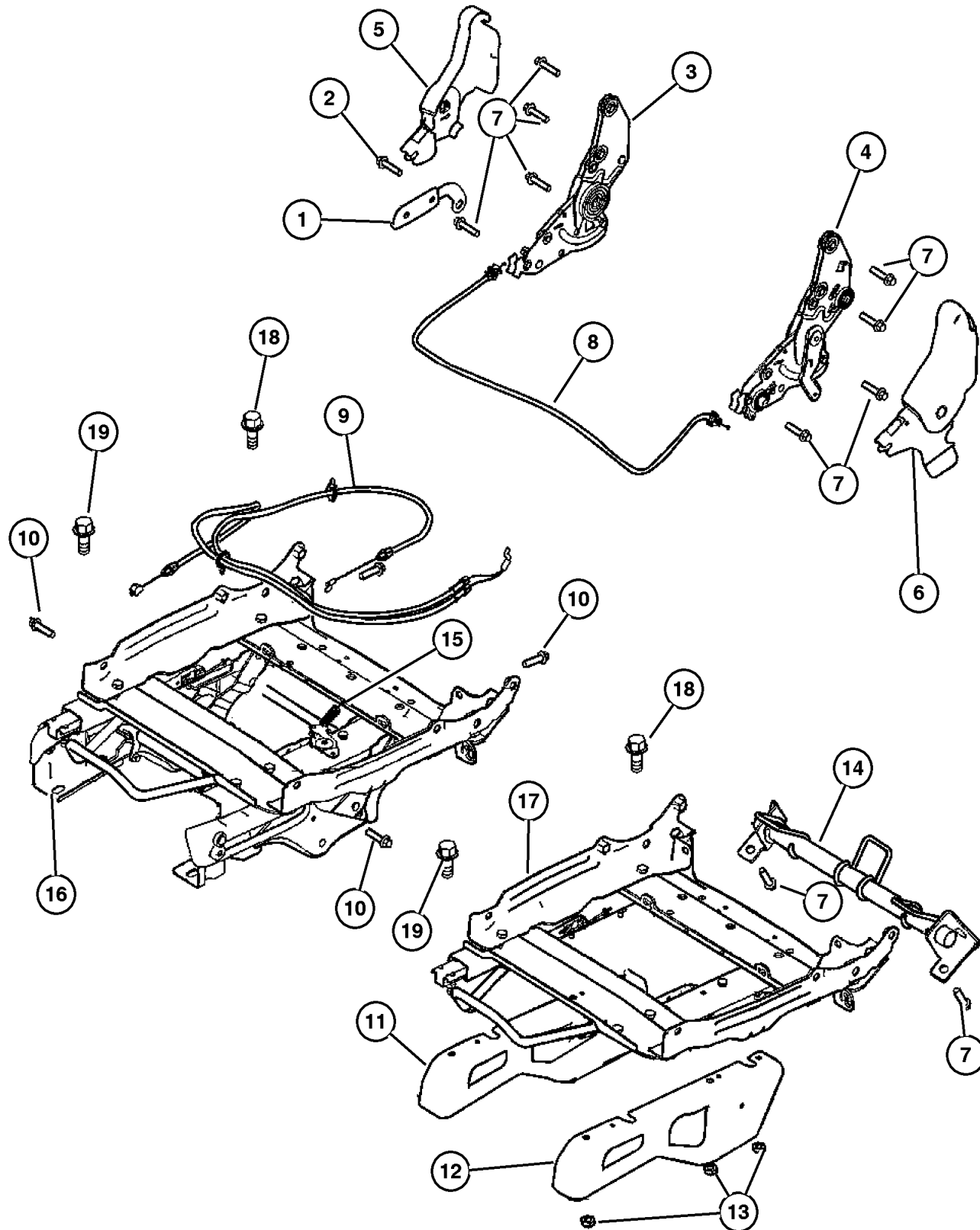
### JEEP WRANGLER (TJ)

SERIES	LINE	BODY	ENGINE	TRANSMISSION
H = Sport	J = Wrangler 4WD	77 = 93.4 WB	ED1, ED0 = 2.4L DOHC	DGG, DGD = 32RH 3 Spd. Auto.
L = SE	U = Wrangler 4WD (RHD)		ERH = 4.0L Power Tech	DDD = 5 Speed HD Manual
M = X				DG0 = Auto. Trans.
P = Sahara				DBB = Manual Trans.
S = Rubicon				DDK = 5 Speed Manual

AR = Use as required - = Non illustrated part # = New this model year

January 6, 2004

**Seat Assemblies, Adjusters, Recliners**  
**Figure ITJ-810**



ITEM	PART NUMBER	QTY	LINE	SERIES	BODY	ENGINE	TRANS	TRIM	DESCRIPTION
------	-------------	-----	------	--------	------	--------	-------	------	-------------

Note: If a seat that just dumps it has one cable and uses 05093677AA.  
If a seat dumps & slides it has two cables and uses 05093678AA.

1									HANDLE, Recliner
	5093 571AA	1	U		77			H5	Left
	5093 570AA	1	J					L5	Right
		1	U		77			P5	Right
		1	J		77			P5	Right
		1	J		78			P5	Right
	5093 571AA	1	J		78			P5	Left
		1	U		77			P5	Left
		1	J		77			P5	Left
	5093 570AA	1	J					Q5	Right
	5093 571AA	1	J					Q5	Left
	5093 570AA	1	J		77			S5	Right
	5093 571AA	1	J		77			H5	Left
	5093 570AA	1	U		77			S5	Right
	5093 571AA	1	U		77			S5	Left
		1	J					S5	Left
	5093 570AA	1	U		77			H5	Right
		1	J		77			H5	Right
	5093 571AA	1	U		77			H6	Left
		1	J		77			H6	Left
	5093 570AA	1	J					H6	Right
		1	U					H6	Right
	5093 571AA	1	J					L5	Left
2									SCREW, Recliner Handle
	5096 184AA	2	U		77			H5	
		2	J		77			S5	
		2	U					S5	
		2	J		77			H5	
		2	J					H6	
		2	U					H6	
		2	J					L5	
		2	J		78			P5	
		2	U		77			P5	
		2	J		77			P5	
		2	J					Q5	
3									RECLINER, Seat Back
	5093 580AA	1	U		77			H5	Export, Easy Entry, Left, Inboard
	5093 584AA	1	J					L5	Fixed Seat, Left, Inboard
	5093 578AA	1	J					L5	Right, Outboard

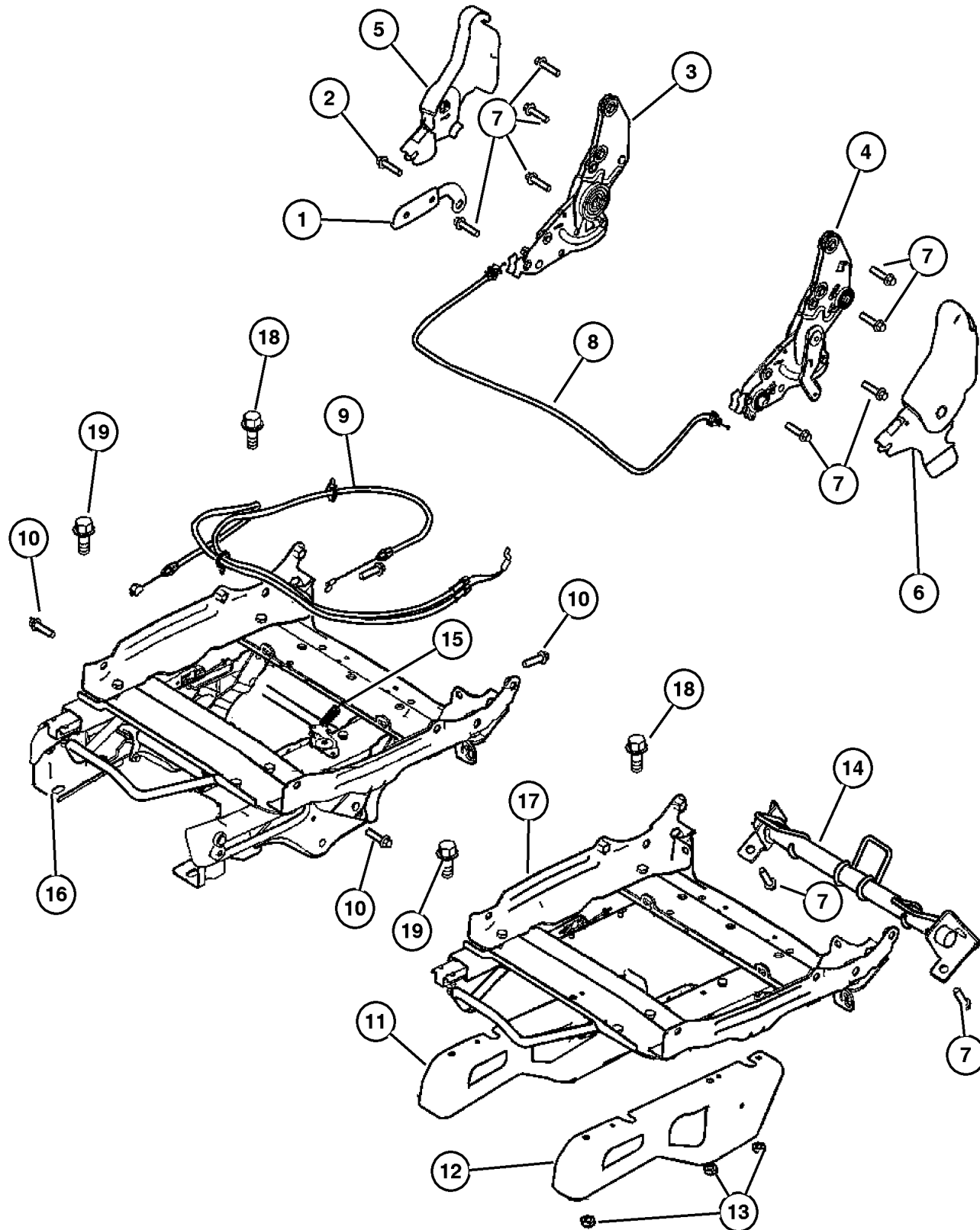
**JEEP WRANGLER (TJ)**

SERIES	LINE	BODY	ENGINE	TRANSMISSION
H = Sport	J = Wrangler 4WD	77 = 93.4 WB	ED1, ED0 = 2.4L DOHC	DGG, DGD = 32RH 3 Spd. Auto.
L = SE	U = Wrangler 4WD (RHD)		ERH = 4.0L Power Tech	DDD = 5 Speed HD Manual
M = X				DG0 = Auto. Trans.
P = Sahara				DBB = Manual Trans.
S = Rubicon				DDK = 5 Speed Manual

AR = Use as required - = Non illustrated part # = New this model year

January 6, 2004

**Seat Assemblies, Adjusters, Recliners**  
**Figure ITJ-810**



ITEM	PART NUMBER	QTY	LINE	SERIES	BODY	ENGINE	TRANS	TRIM	DESCRIPTION
	5093 580AA	1	U					P5	Export, Easy Entry, Left,Inboard
		1	J					P5	Export, Easy Entry, Left,Inboard
	5093 578AA	1	J		78			P5	Right,Outboard
	5093 580AA	1	J		78			P5	Export, Easy Entry, Left,Inboard
	5093 584AA	1	J		77			P5	Fixed Seat, Left,Inboard
	5093 578AA	1	J					P5	Right,Outboard
		1	U					P5	Right,Outboard
		1	J					Q5	Right,Outboard
	5093 580AA	1	J		77			H5	Export, Easy Entry, Left,Inboard
	5093 584AA	1	J					Q5	Fixed Seat, Left,Inboard
		1	J					S5	Fixed Seat, Left,Inboard
	5093 580AA	1	J		77			S5	Export, Easy Entry, Left,Inboard
		1	U		77			S5	Export, Easy Entry, Left,Inboard
	5093 578AA	1	U		77			S5	Right,Outboard
		1	U					S5	Right,Outboard
		1	U		77			H5	Right,Outboard
		1	J		77			H5	Right,Outboard
		1	J					H6	Right,Outboard
	5093 584AA	1	J		77			H6	Fixed Seat, Left,Inboard
	5093 580AA	1	J		77			H6	Export, Easy Entry, Left,Inboard
		1	U		77			H6	Export, Easy Entry, Left,Inboard
	5093 578AA	1	U		77			H6	Right,Outboard
4									RECLINER, Seat Back
	5093 581AA	1	U		77			H5	Left,Outboard
	5093 585AA	1	J					L5	Fixed Seat, Left,Outboard
	5093 579AA	1	J					L5	Right,Inboard
	5093 581AA	1	U		77			P5	Export, Easy Entry, Left,Outboard
	5093 579AA	1	U					P5	Right,Inboard
	5093 581AA	1	J		77			P5	Export, Easy Entry, Left,Outboard
	5093 585AA	1	J		77			P5	Fixed Seat, Left,Outboard
	5093 579AA	1	J		78			P5	Right,Inboard
		1	J		77			P5	Right,Inboard
	5093 581AA	1	J		78			P5	Export, Easy Entry, Left,Outboard
	5093 585AA	1	J					Q5	Fixed Seat, Left,Outboard
	5093 581AA	1	J		77			H5	Left,Outboard
	5093 579AA	1	J					Q5	Right,Inboard
	5093 585AA	1	J					S5	Fixed Seat, Left,Outboard
	5093 579AA	1	J		77			S5	Right,Inboard
		1	U		77			S5	Right,Inboard
	5093 581AA	1	U		77			S5	Export, Easy Entry, Left,Outboard
		1	J		77			S5	Export, Easy Entry, Left,Outboard

**JEEP WRANGLER (TJ)**

SERIES  
H = Sport  
L = SE  
M = X  
P = Sahara  
S = Rubicon

LINE  
J = Wrangler 4WD  
U = Wrangler 4WD (RHD)

BODY  
77 = 93.4 WB

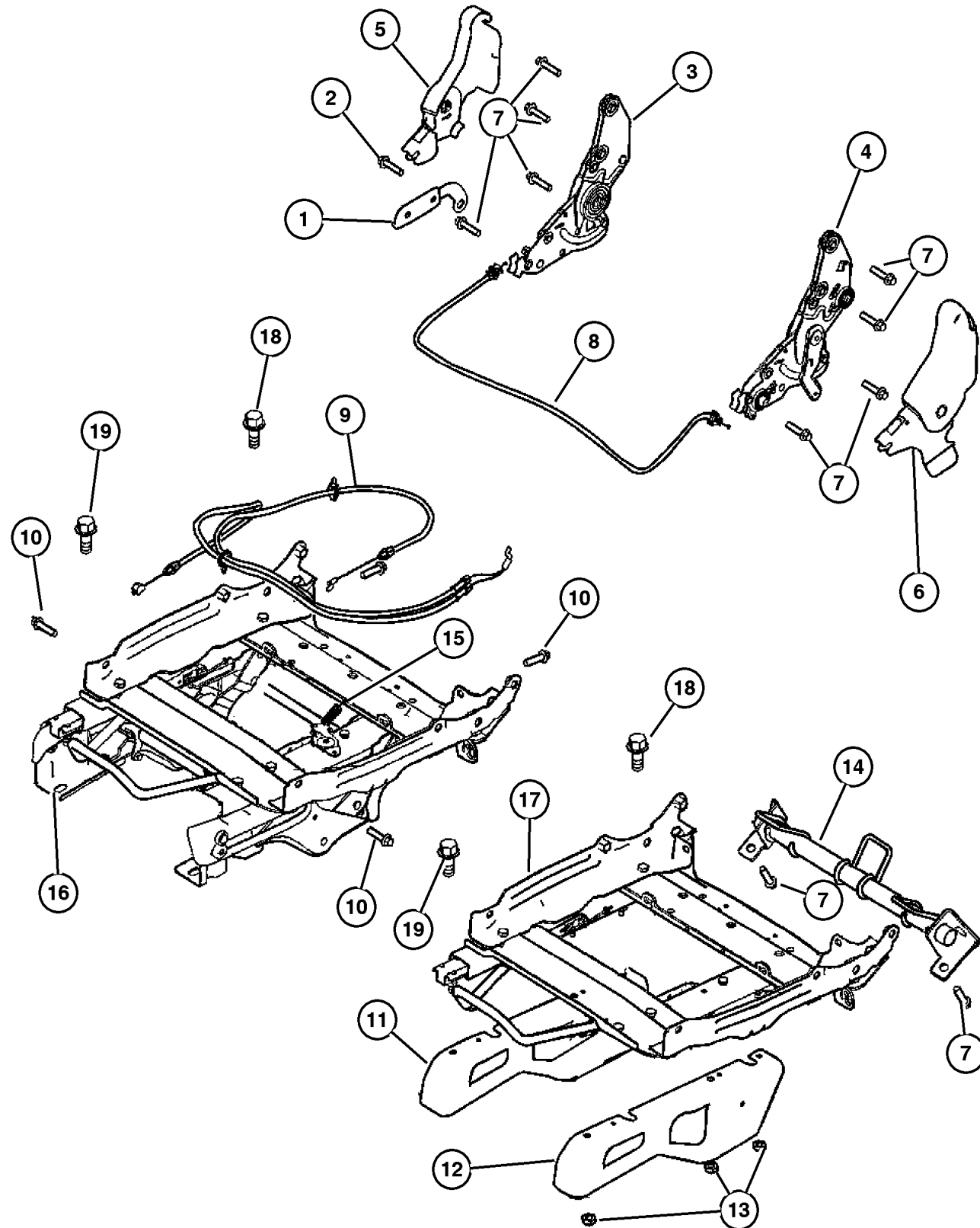
ENGINE  
ED1, ED0 = 2.4L DOHC  
ERH = 4.0L Power Tech

TRANSMISSION  
DGG, DGD = 32RH 3 Spd. Auto.  
DDD = 5 Speed HD Manual  
DGO = Auto. Trans.  
DBB = Manual Trans.  
DDK = 5 Speed Manual

AR = Use as required - = Non illustrated part # = New this model year

January 6, 2004

**Seat Assemblies, Adjusters, Recliners**  
**Figure ITJ-810**



ITEM	PART NUMBER	QTY	LINE	SERIES	BODY	ENGINE	TRANS	TRIM	DESCRIPTION
	5093 579AA	1	U		77			H5	Right,Inboard
		1	J		77			H5	Right,Inboard
	5093 585AA	1	J		77			H6	Fixed Seat, Left,Outboard
	5093 581AA	1	U		77			H6	Left,Outboard
		1	J					H6	Export, Easy Entry, Left,Outboard
	5093 579AA	1	J					H6	Right,Inboard
5		1	U					H6	Right,Inboard
									COVER, Recliner
	5093 591AA	1	U		77			H5	Left,Outboard
	5093 588AA	1	J					L5	Right,Outboard
	5093 591AA	1	J		77			P5	Left,Outboard
	5093 588AA	1	J					P5	Right,Outboard
	5093 591AA	1	U		77			P5	Left,Outboard
		1	J		78			P5	Left,Outboard
	5093 588AA	1	J		78			P5	Right,Outboard
		1	U		77			P5	Right,Outboard
	5093 591AA	1	J					Q5	Left,Outboard
	5093 588AA	1	J					Q5	Right,Outboard
	5093 591AA	1	U					S5	Left,Outboard
		1	J		77			H5	Left,Outboard
		1	J		77			S5	Left,Outboard
	5093 588AA	1	U		77			S5	Right,Outboard
		1	J					S5	Right,Outboard
		1	U		77			H5	Right,Outboard
		1	J		77			H5	Right,Outboard
	5093 591AA	1	U		77			H6	Left,Outboard
		1	J		77			H6	Left,Outboard
	5093 588AA	1	J					H6	Right,Outboard
		1	U		77			H6	Right,Outboard
6	5093 591AA	1	J					L5	Left,Outboard
									COVER, Recliner
	5093 590AA	1	U		77			H5	Left,Inboard
	5093 589AA	1	J					L5	Right,Inboard
		1	J		78			P5	Right,Inboard
	5093 590AA	1	J		78			P5	Left,Inboard
		1	U					P5	Left,Inboard
	5093 589AA	1	U		77			P5	Right,Inboard
		1	J		77			P5	Right,Inboard
	5093 590AA	1	J					P5	Left,Inboard
	5093 589AA	1	J					Q5	Right,Inboard
	5093 590AA	1	J					Q5	Left,Inboard

**JEEP WRANGLER (TJ)**

SERIES  
H = Sport  
L = SE  
M = X  
P = Sahara  
S = Rubicon

LINE  
J = Wrangler 4WD  
U = Wrangler 4WD (RHD)

BODY  
77 = 93.4 WB

ENGINE  
ED1, ED0 = 2.4L DOHC  
ERH = 4.0L Power Tech

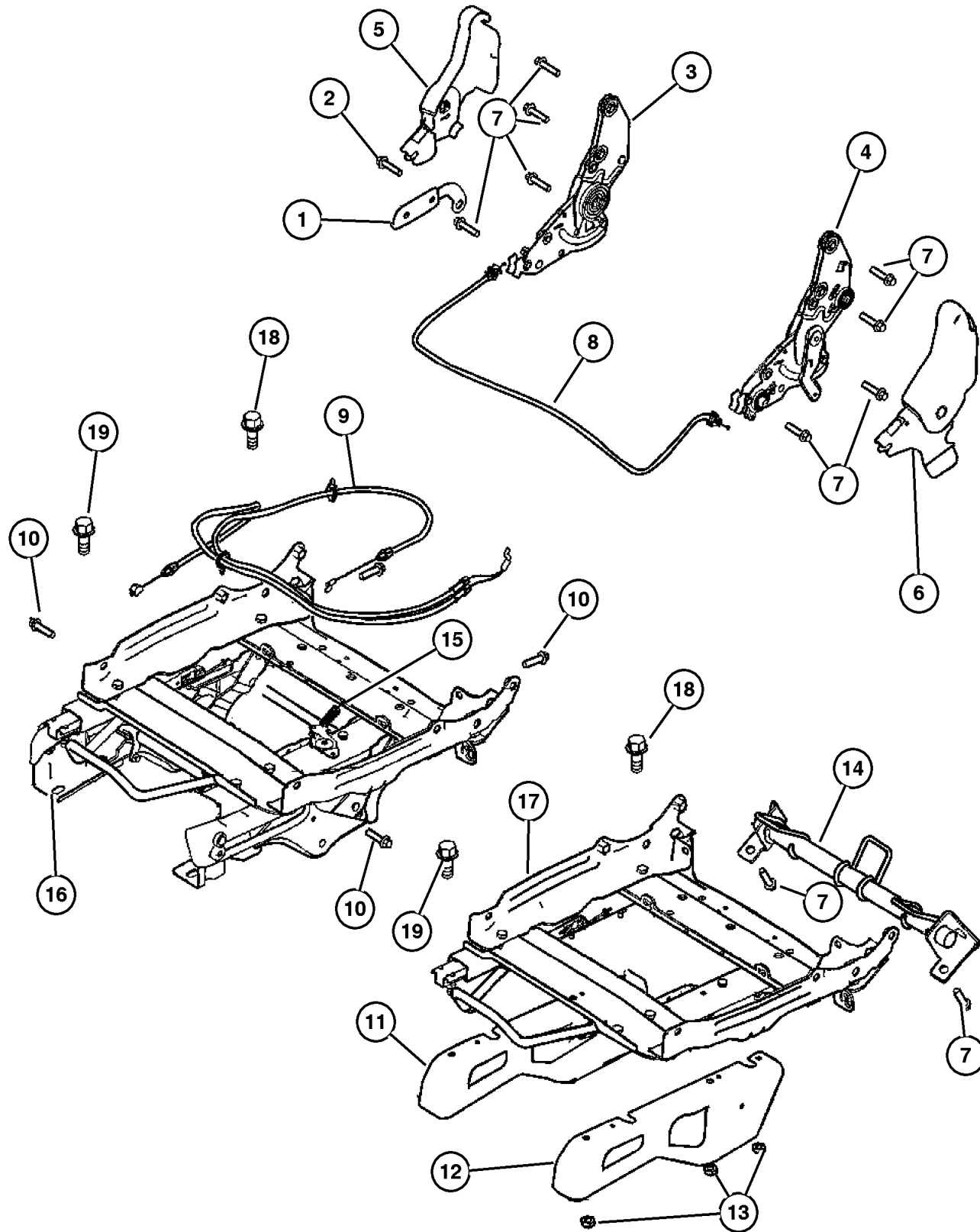
TRANSMISSION  
DGG, DGD = 32RH 3 Spd. Auto.  
DDD = 5 Speed HD Manual  
DGO = Auto. Trans.  
DBB = Manual Trans.  
DDK = 5 Speed Manual

AR = Use as required - = Non illustrated part # = New this model year

January 6, 2004



**Seat Assemblies, Adjusters, Recliners**  
**Figure ITJ-810**



ITEM	PART NUMBER	QTY	LINE	SERIES	BODY	ENGINE	TRANS	TRIM	DESCRIPTION
	5093 589AA	1	U					S5	Right,Inboard
	5093 590AA	1	J		77			H5	Left,Inboard
	5093 589AA	1	J					S5	Right,Inboard
	5093 590AA	1	U		77			S5	Left,Inboard
		1	J		77			S5	Left,Inboard
	5093 589AA	1	U		77			H5	Right,Inboard
		1	J		77			H5	Right,Inboard
	5093 590AA	1	U		77			H6	Left,Inboard
		1	J		77			H6	Left,Inboard
	5093 589AA	1	J					H6	Right,Inboard
		1	U					H6	Right,Inboard
	5093 590AA	1	J					L5	Left,Inboard
7									BOLT, Recliner
	5093 647AA	8	U		77			H5	
		8	U					S5	
		8	J		77			S5	
		8	J		77			H5	
		8	J					H6	
		8	U					H6	
		8	J					L5	
		8	J		78			P5	
		8	U		77			P5	
		8	J					P5	
		8	J					Q5	
8									CABLE, Recliner
	5093 676AA	2	U		77			H5	
		2	U		77			S5	
		2	J		77			S5	
		2	J		77			H5	
		2	J					H6	
		2	U					H6	
		2	J					L5	
		2	J		78			P5	
		2	J		77			P5	
		2	U		77			P5	
		2	J					Q5	
9									CABLE, Seat Adjuster, SEE NOTE
	5093 678AA	1	U		77			H5	Dump & Slide
	5093 677AA	2	U		77			P5	Slide Only
	5093 678AA	1	J		77			P5	Dump & Slide
		1	J		78			P5	Dump & Slide

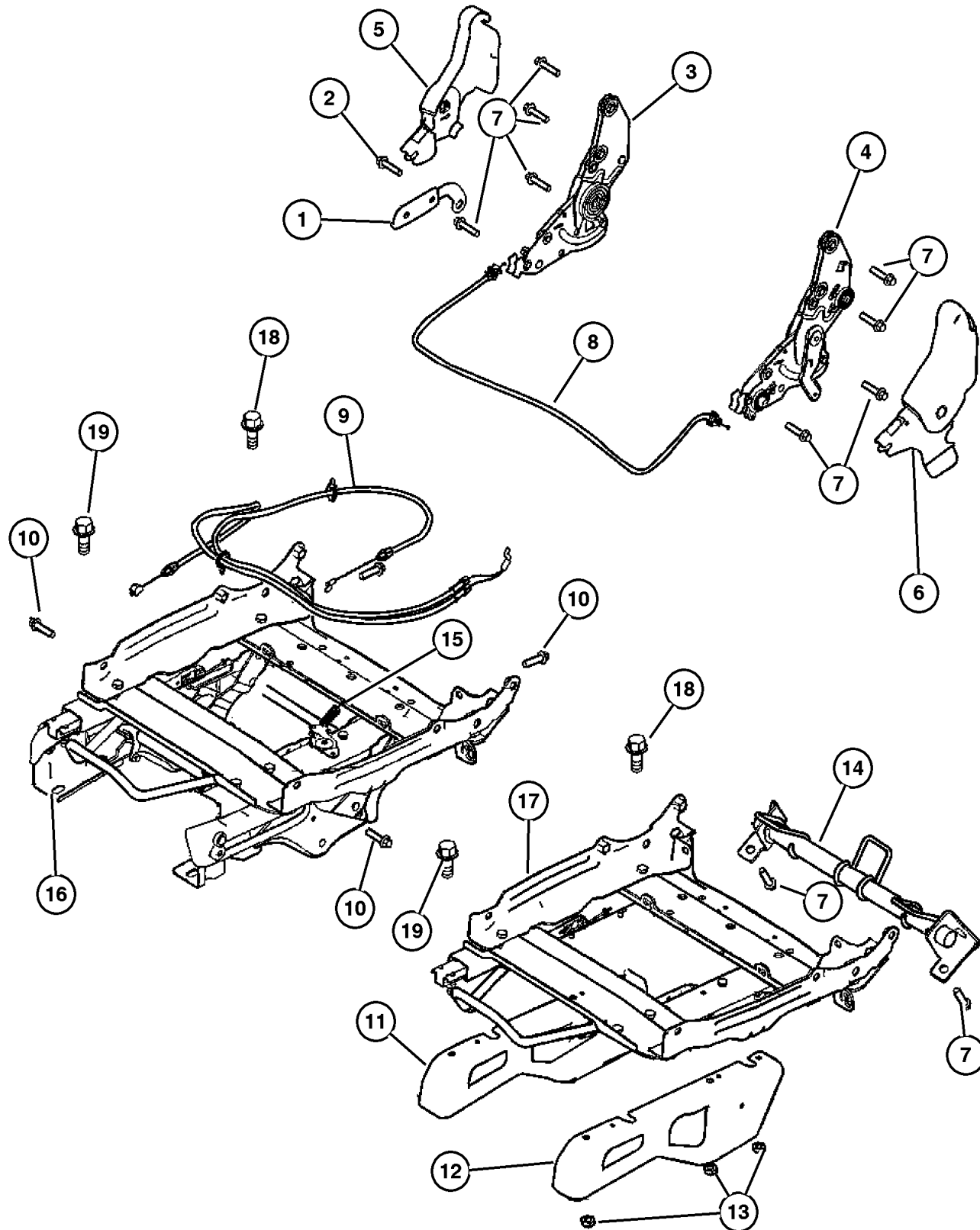
**JEEP WRANGLER (TJ)**

<b>SERIES</b>	<b>LINE</b>	<b>BODY</b>	<b>ENGINE</b>	<b>TRANSMISSION</b>
H = Sport	J = Wrangler 4WD	77 = 93.4 WB	ED1, ED0 = 2.4L DOHC	DGG, DGD = 32RH 3 Spd. Auto.
L = SE	U = Wrangler 4WD (RHD)		ERH = 4.0L Power Tech	DDD = 5 Speed HD Manual
M = X				DG0 = Auto. Trans.
P = Sahara				DBB = Manual Trans.
S = Rubicon				DDK = 5 Speed Manual

AR = Use as required - = Non illustrated part # = New this model year

January 6, 2004

**Seat Assemblies, Adjusters, Recliners**  
**Figure ITJ-810**



ITEM	PART NUMBER	QTY	LINE	SERIES	BODY	ENGINE	TRANS	TRIM	DESCRIPTION
	5093 677AA	2	J					P5	Slide Only
		2	J					Q5	Slide Only
		2	J		77			S5	Slide Only
	5093 678AA	1	U					S5	Dump & Slide
		1	J					S5	Dump & Slide
	5093 677AA	1	U		77			S5	Slide Only
	5093 678AA	1	J		77			H5	Dump & Slide
	5093 677AA	1	U		77			H5	Slide Only
		1	J		77			H5	Slide Only
	5093 678AA	1	U		77			H6	Dump & Slide
		1	J		77			H6	Dump & Slide
	5093 677AA	1	U		77			H6	Slide Only
		1	J		77			H6	Slide Only
		1	J					L5	
10									BOLT, Seat, To Cushion
	4720 768	8	U		77			H5	
		8	J		77			S5	
		8	J		77			H5	
		8	U		77			H6	
		8	J		77			H6	
		8	J					L5	
		8	J					P5	
		8	U		77			P5	
		8	J					Q5	
		8	U		77			S5	
11									RISER, Seat
	5093 655AA	1	J		77			H6	Left,Outboard
		1	J					L5	Left,Outboard
		1	J					P5	Left,Outboard
		1	J					Q5	Left,Outboard
		1	J		77			S5	Left,Outboard
12									RISER, Seat
	5093 654AA	1	J					H6	Left,Inboard
		1	J					L5	Left,Inboard
		1	J					P5	Left,Inboard
		1	J					Q5	Left,Inboard
		1	J		77			S5	Left,Inboard
13									NUT, Hex
	5019 267AA	8	U		77			H5	
		8	J		77			S5	
		8	J		77			H5	

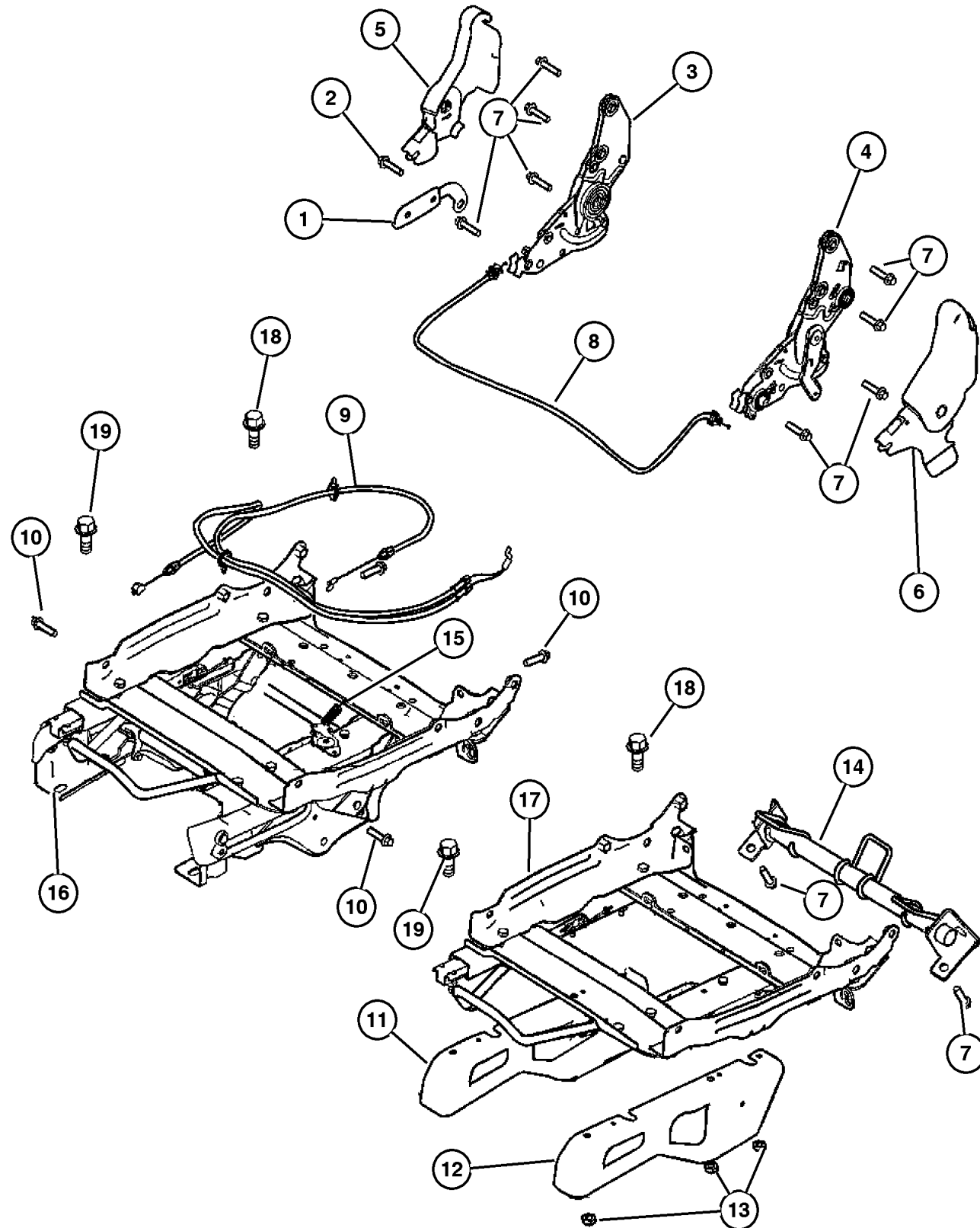
**JEEP WRANGLER (TJ)**

SERIES	LINE	BODY	ENGINE	TRANSMISSION
H = Sport	J = Wrangler 4WD	77 = 93.4 WB	ED1, ED0 = 2.4L DOHC	DGG, DGD = 32RH 3 Spd. Auto.
L = SE	U = Wrangler 4WD (RHD)		ERH = 4.0L Power Tech	DDD = 5 Speed HD Manual
M = X				DG0 = Auto. Trans.
P = Sahara				DBB = Manual Trans.
S = Rubicon				DDK = 5 Speed Manual

AR = Use as required - = Non illustrated part # = New this model year

January 6, 2004

**Seat Assemblies, Adjusters, Recliners**  
**Figure ITJ-810**



ITEM	PART NUMBER	QTY	LINE	SERIES	BODY	ENGINE	TRANS	TRIM	DESCRIPTION
		8	U		77			H6	
		8	J		77			H6	
		8	J					L5	
		8	U		77			P5	
		8	J		77			P5	
		8	J					Q5	
		8	U		77			S5	
14	5093 663AA	1	J					H6	BRACKET, Child Tether Anchor
15									SPRING, Seat Lever Return, Short
	5093 679AA	1	U		77			H5	
		2	U		77			S5	
		2	J		77			S5	
		1	J		77			H5	
		1	U		77			H6	
		1	J		77			H6	
		1	J					L5	
		2	J		78			P5	
		2	J		77			P5	
		2	U		77			P5	
		1	J					Q5	
16									ADJUSTER, Manual Seat, Includes
									Risers
	5093 674AA	1	U		77			H5	Export,Right
		1	U		77			P5	Export,Right
	5093 664AA	1	J					Q5	Right
		1	J		77			S5	Domestic, Right
	5093 674AA	1	U		77			S5	Export,Right
		1	J		77			S5	Export,Right
		1	J		77			H5	Export,Right
	5093 664AA	1	J					H6	Domestic, Right
	5093 674AA	1	J		77			H6	Export,Right
	5093 664AA	1	J					L5	Right
		1	J		77			P5	Domestic, Right
		1	J		78			P5	Domestic, Right
	5093 674AA	1	J		77			P5	Export,Right
	5104 691AA	1	U		77			P5	Postal Vehicle, Left
17									ADJUSTER, Manual Seat
	5093 675AA	1	U		77			H5	Export,Left
	5093 665AA	1	J					Q5	Left
	5093 675AA	1	U					S5	Export,Left
		1	J		77			S5	Export,Left

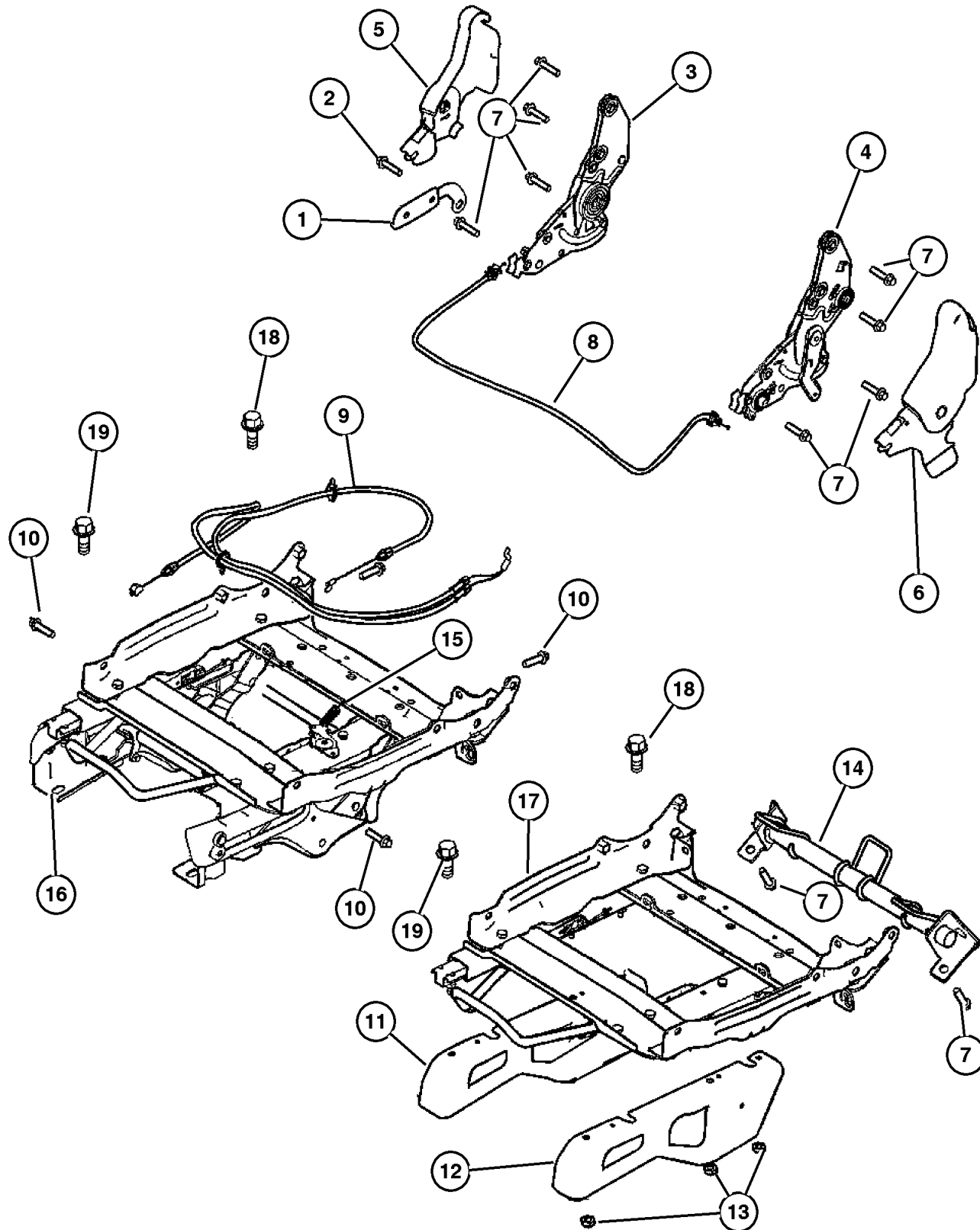
**JEEP WRANGLER (TJ)**

SERIES	LINE	BODY	ENGINE	TRANSMISSION
H = Sport	J = Wrangler 4WD	77 = 93.4 WB	ED1, ED0 = 2.4L DOHC	DGG, DGD = 32RH 3 Spd. Auto.
L = SE	U = Wrangler 4WD (RHD)		ERH = 4.0L Power Tech	DDD = 5 Speed HD Manual
M = X				DG0 = Auto. Trans.
P = Sahara				DBB = Manual Trans.
S = Rubicon				DDK = 5 Speed Manual

AR = Use as required - = Non illustrated part # = New this model year

January 6, 2004

**Seat Assemblies, Adjusters, Recliners**  
**Figure ITJ-810**



ITEM	PART NUMBER	QTY	LINE	SERIES	BODY	ENGINE	TRANS	TRIM	DESCRIPTION
	5093 665AA	1	J		77			S5	Domestic, Left
	5093 675AA	1	J		77			H5	Export,Left
		1	U		77			H6	Export,Left
		1	J		77			H6	Export,Left
	5093 665AA	1	J					H6	Domestic, Left
		1	J					L5	Left
		1	J					P5	Domestic, Left
		1	J		77			P5	Domestic, Left
	5093 675AA	1	U		77			P5	Export,Left
18	J400 6832	1							BOLT, Pan Head, .437-20x1.375, Driver seat to Floor Pan
19	6500 664	6							SCREW AND WASHER, Hex Head, M8x1.25x35

**JEEP WRANGLER (TJ)**

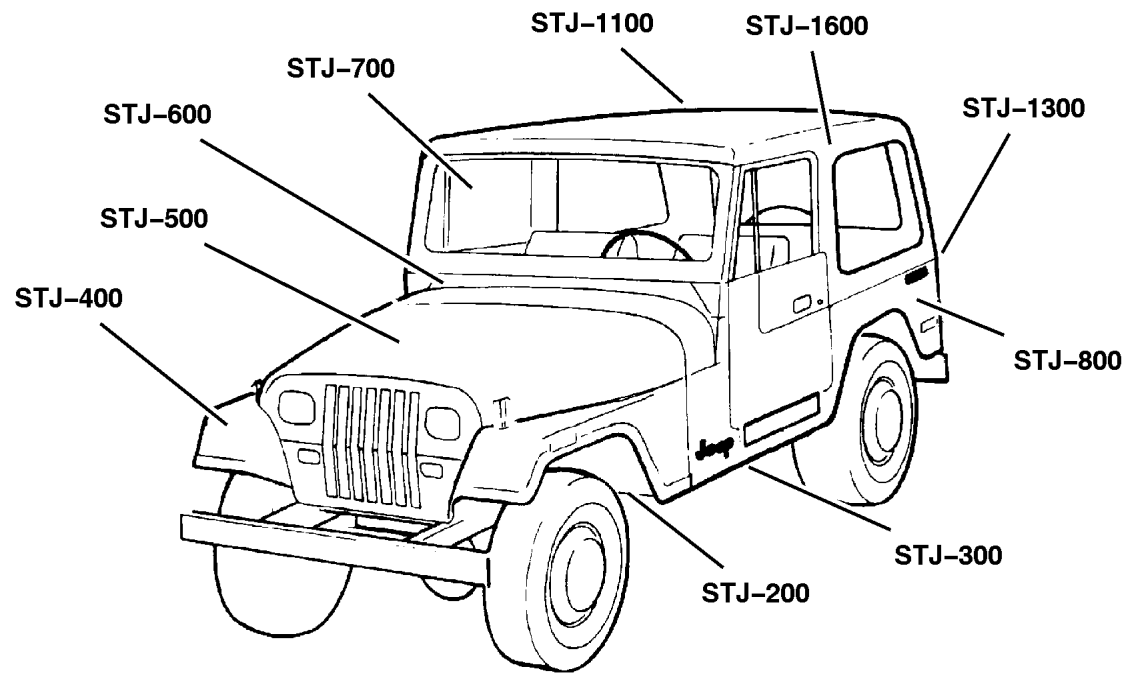
SERIES	LINE	BODY	ENGINE	TRANSMISSION
H = Sport	J = Wrangler 4WD	77 = 93.4 WB	ED1, ED0 = 2.4L DOHC	DGG, DGD = 32RH 3 Spd. Auto.
L = SE	U = Wrangler 4WD (RHD)		ERH = 4.0L Power Tech	DDD = 5 Speed HD Manual
M = X				DG0 = Auto. Trans.
P = Sahara				DBB = Manual Trans.
S = Rubicon				DDK = 5 Speed Manual

AR = Use as required - = Non illustrated part # = New this model year

January 6, 2004

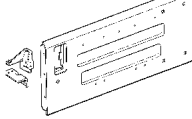
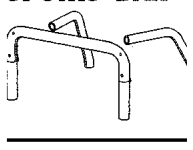
# Group – STJ

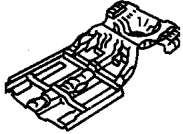

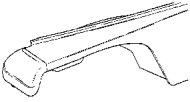

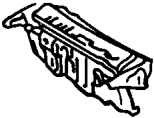

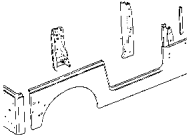
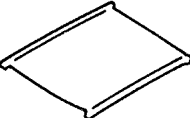
## Body Sheet Metal Except Doors



# Group – STJ

## Body Sheet Metal Except Doors

<p><b>STJ-1300</b> Tailgate</p> 	<p><b>STJ-1600</b> Luggage Rack</p> 		
---	---	--	--

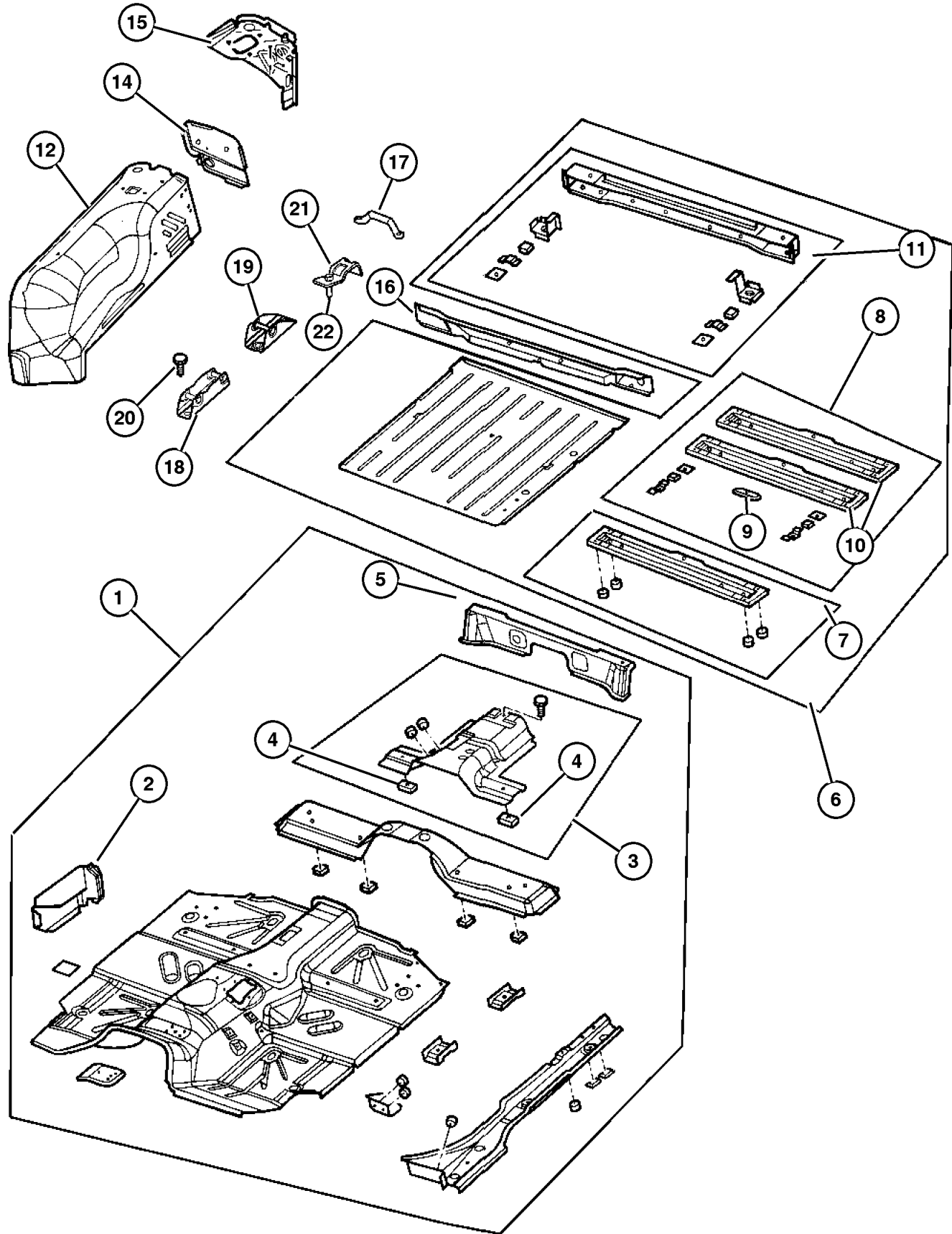
<p><b>STJ-200</b> Floor Pans</p> 	<p><b>STJ-300</b> Plugs</p> 	<p><b>STJ-400</b> Front Fenders</p> 	<p><b>STJ-500</b> Hood and Hood Release</p> 
<p><b>STJ-600</b> Cowl and Dash Panel</p> 	<p><b>STJ-700</b> Glass and Rear View Mirror</p> 	<p><b>STJ-800</b> Aperture Panel</p> 	<p><b>STJ-1100</b> Roof - Hard &amp; Soft Top</p> 

---

## GROUP STJ - Body Sheet Metal Except Doors

Illustration Title	Group-Fig. No.
<b>Floor Pans</b>	
Pan, Floor Front And Rear, Body Style 77 .....	Fig. STJ-210
Pan, Floor Front And Rear, Body Style 78 .....	Fig. STJ-220
<b>Plugs</b>	
Plugs .....	Fig. STJ-310
<b>Front Fenders</b>	
Fender And Flare, Front .....	Fig. STJ-410
<b>Hood and Hood Release</b>	
Hood, Lock, Catches .....	Fig. STJ-510
<b>Cowl and Dash Panel</b>	
Panels, Cowl And Dash .....	Fig. STJ-610
<b>Glass and Rear View Mirror</b>	
Glass, Windshield, Backlite, Quarter Windshield Frame, Hinges .....	Fig. STJ-710
<b>Aperture Panel</b>	
Panels, Body Side .....	Fig. STJ-810
<b>Roof - Hard &amp; Soft Top</b>	
Soft Top And Windows .....	Fig. STJ-1110
Top Enclosure, Hard .....	Fig. STJ-1120
<b>Tailgate</b>	
Tailgate .....	Fig. STJ-1310
Add-a-Trunk .....	Fig. STJ-1320
<b>Luggage Rack</b>	
Sport Bar Wrangler .....	Fig. STJ-1610

Pan, Floor Front And Rear, Body Style 77  
Figure STJ-210



ITEM	PART NUMBER	QTY	LINE	SERIES	BODY	ENGINE	TRANS	TRIM	DESCRIPTION
1	55177 254AD	1							PAN, Floor
2	55174 828AD	1							PANEL, Cowl Side Right
	55174 829AC	1							Left
3	55175 209AC	1							REINFORCEMENT, Park Brake Mounting
4	6033 150	2							NUT PLATE, .25-20
5	55174 809AB	1							RISER, Seat
6	55174 811AF	1			77				PAN, Floor
7	55176 240AB	1			77				CROSSMEMBER, Seat Belt Mount
8	55176 241AB	1			77				CROSSMEMBER, Underbody
9	4490 835AB	1			77				REINFORCEMENT, Shoulder Belt
10	55395 069AA	1			77				CROSSMEMBER, Rear Floor
11	55175 788AD	1			77				SILL, Rear
12	5134 574AA	1			77				PANEL, Wheelhouse Right
	5134 575AA	1			77				Left
-13	4490 111	1			77				TAPPING PLATE
14	55176 527AC	1			77				PANEL, Rear Closure Left
	55236 048AA	1			77				Right
15	55175 064AB	1			77				REINFORCEMENT, Wheelhouse Right
	55175 065AB	1			77				Left
16	55175 790AC	1							PANEL, Rear Body Closing
17	5501 3668	8							CHECK, Front Door
18	55395 011AA	2							STRIKER, Rear Seat, Front
19	55395 010AA	2							STRIKER, Rear Seat, Rear
20	6507 346AA	8			77				SCREW, Pan Head
21	5066 347AA	2							TETHER PACKAGE, Child Seat
22	6506 481AA	2							BOLT, Hex Head, M8x1.25x30, Tether to Rear Floor Pan

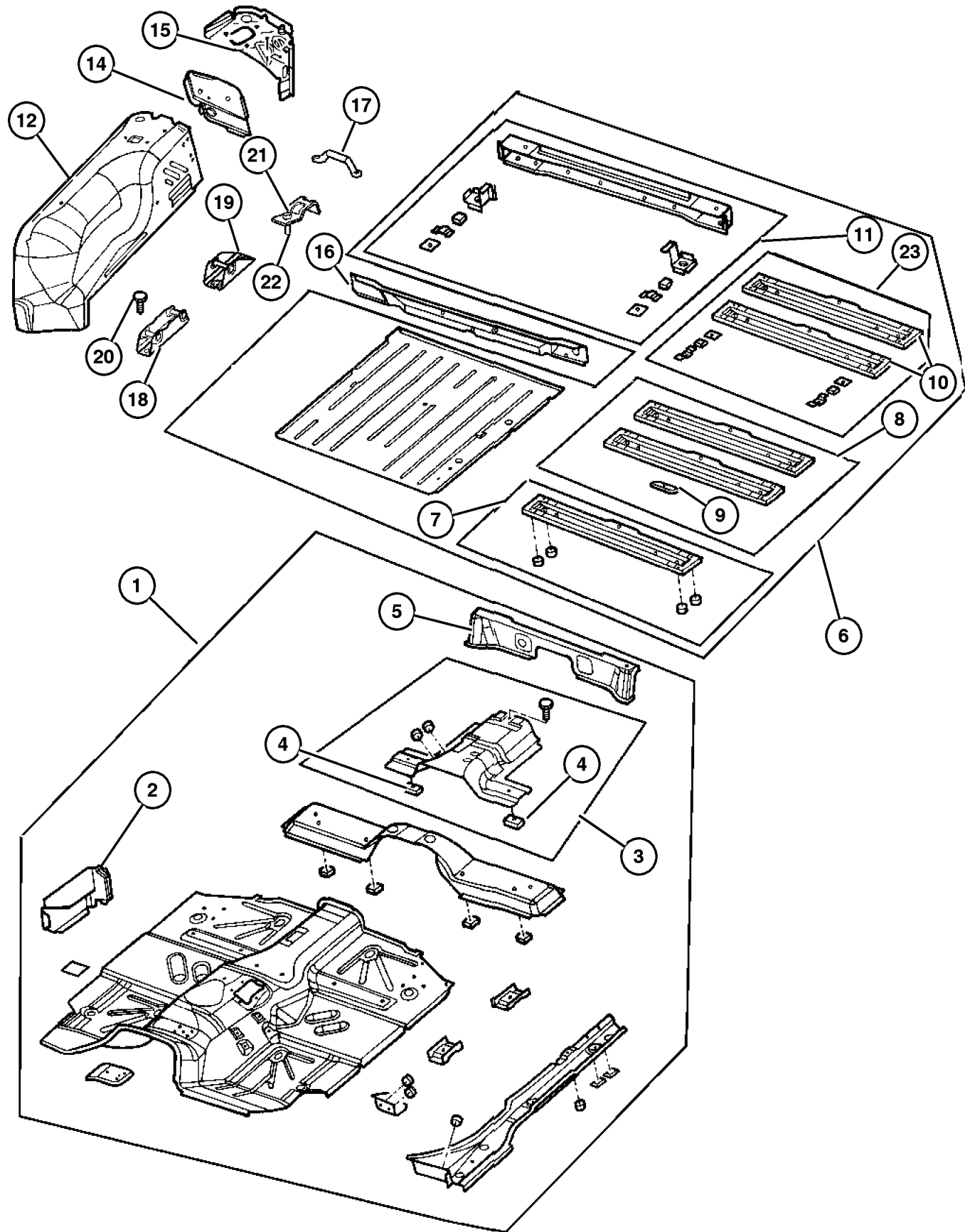
JEEP WRANGLER (TJ)

SERIES	LINE	BODY	ENGINE	TRANSMISSION
H = Sport	J = Wrangler 4WD	77 = 93.4 WB	ED1, ED0 = 2.4L DOHC	DGG, DGD = 32RH 3 Spd. Auto.
L = SE	U = Wrangler 4WD (RHD)		ERH = 4.0L Power Tech	DDD = 5 Speed HD Manual
M = X				DG0 = Auto. Trans.
P = Sahara				DBB = Manual Trans.
S = Rubicon				DDK = 5 Speed Manual

AR = Use as required - = Non illustrated part # = New this model year

January 6, 2004

Pan, Floor Front And Rear, Body Style 78  
Figure STJ-220



ITEM	PART NUMBER	QTY	LINE	SERIES	BODY	ENGINE	TRANS	TRIM	DESCRIPTION
1	55177 254AD	1							PAN, Floor
2	55174 828AD	1							PANEL, Cowl Side Right
	55174 829AC	1							Left
3	55175 209AC	1							REINFORCEMENT, Park Brake Mounting
4	6033 150	2							NUT PLATE, .25-20
5	55174 809AB	1							RISER, Seat
6	#56052 412AA	1	J		78				PAN, Floor
7	55176 240AB	1	J		78				CROSSMEMBER, Seat Belt Mount
8	#56052 418AA	1	J		78				CROSSMEMBER, Rear Floor
9	4490 835AB	1	J		78				REINFORCEMENT, Shoulder Belt
10	55395 069AA	1	J		78				CROSSMEMBER, Rear Floor
11	55175 788AD	1	J		78				SILL, Rear
12	#56052 368AA	1	J		78				PANEL, Wheelhouse Right
	#56052 369AA	1	J		78				Left
-13	4490 111	1			78				TAPPING PLATE
14	55176 527AC	1			78				PANEL, Rear Closure Left
	55236 048AA	1			78				Right
15	55175 064AB	1			78				REINFORCEMENT, Wheelhouse Right
	55175 065AB	1			78				Left
16	55175 790AC	1							PANEL, Rear Body Closing
17	5501 3668	8							CHECK, Front Door
18	55395 011AA	2							STRIKER, Rear Seat, Front
19	55395 010AA	2							STRIKER, Rear Seat, Rear
20	6507 346AA	10	J		78				SCREW, Pan Head
21	5066 347AA	2							TETHER PACKAGE, Child Seat
22	6506 481AA	2							BOLT, Hex Head, M8x1.25x30, Tether to Rear Floor Pan
23	#56052 413AA	1	J		78				CROSSMEMBER, Rear Floor

JEEP WRANGLER (TJ)

SERIES  
H = Sport  
L = SE  
M = X  
P = Sahara  
S = Rubicon

LINE  
J = Wrangler 4WD  
U = Wrangler 4WD (RHD)

BODY  
77 = 93.4 WB

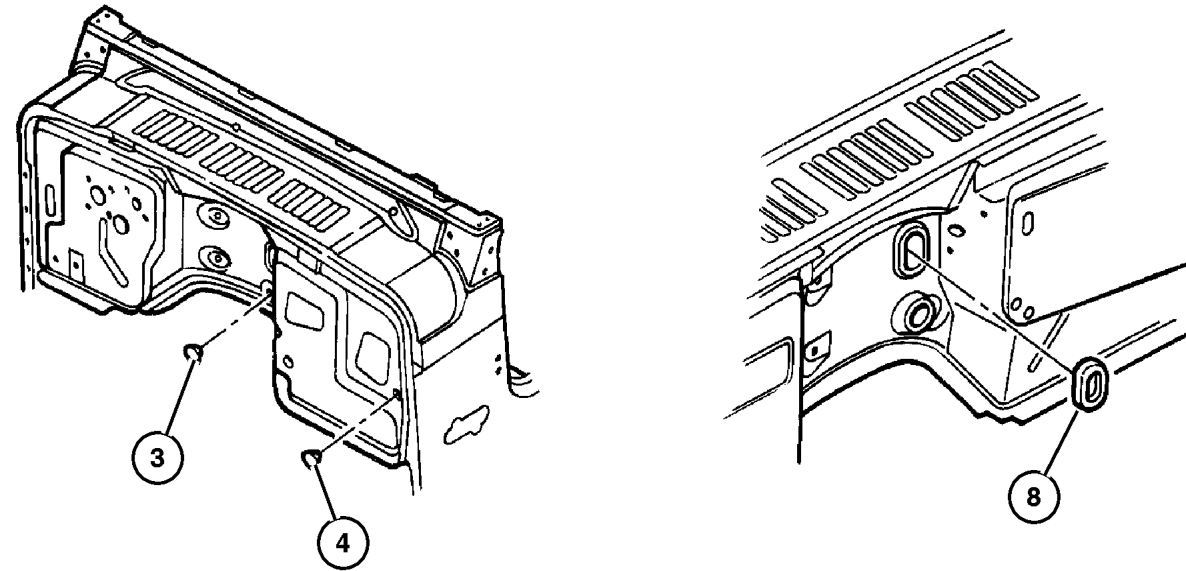
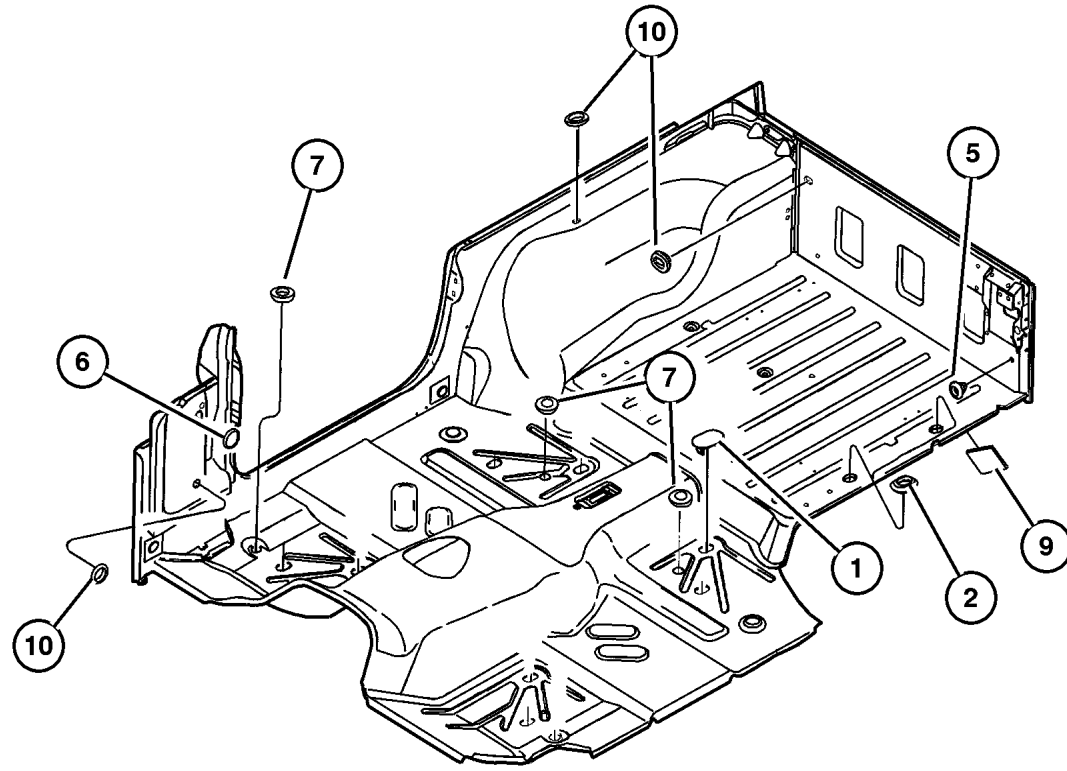
ENGINE  
ED1, ED0 = 2.4L DOHC  
ERH = 4.0L Power Tech

TRANSMISSION  
DGG, DGD = 32RH 3 Spd. Auto.  
DDD = 5 Speed HD Manual  
DGO = Auto. Trans.  
DBB = Manual Trans.  
DDK = 5 Speed Manual



## Plugs Figure STJ-310

ITEM	PART NUMBER	QTY	LINE	SERIES	BODY	ENGINE	TRANS	TRIM	DESCRIPTION
1	4646 971	8							PLUG, Floor Pan
2	6004 507	2							PLUG, Body, 25.4mm x 38.1mm, Rubber, Rear Floor Pan
3	2424 864	1							PLUG, Body, 1.75 Diameter, Shift Cable Hole
4	55257 380AB	1							PLUG
5	4373 728	1	J						PLUG
6	55176 729AA	2							PLUG, Cowl Side
7	55177 482AA	4							PLUG, Floor Pan
8									PLUG, Body, 4.0mm X 76.4mm, (NOT SERVICED) (Not Serviced)
9	55364 097AA	1							TAPE, Body Side
10	1774 076	2							PLUG



### JEEP WRANGLER (TJ)

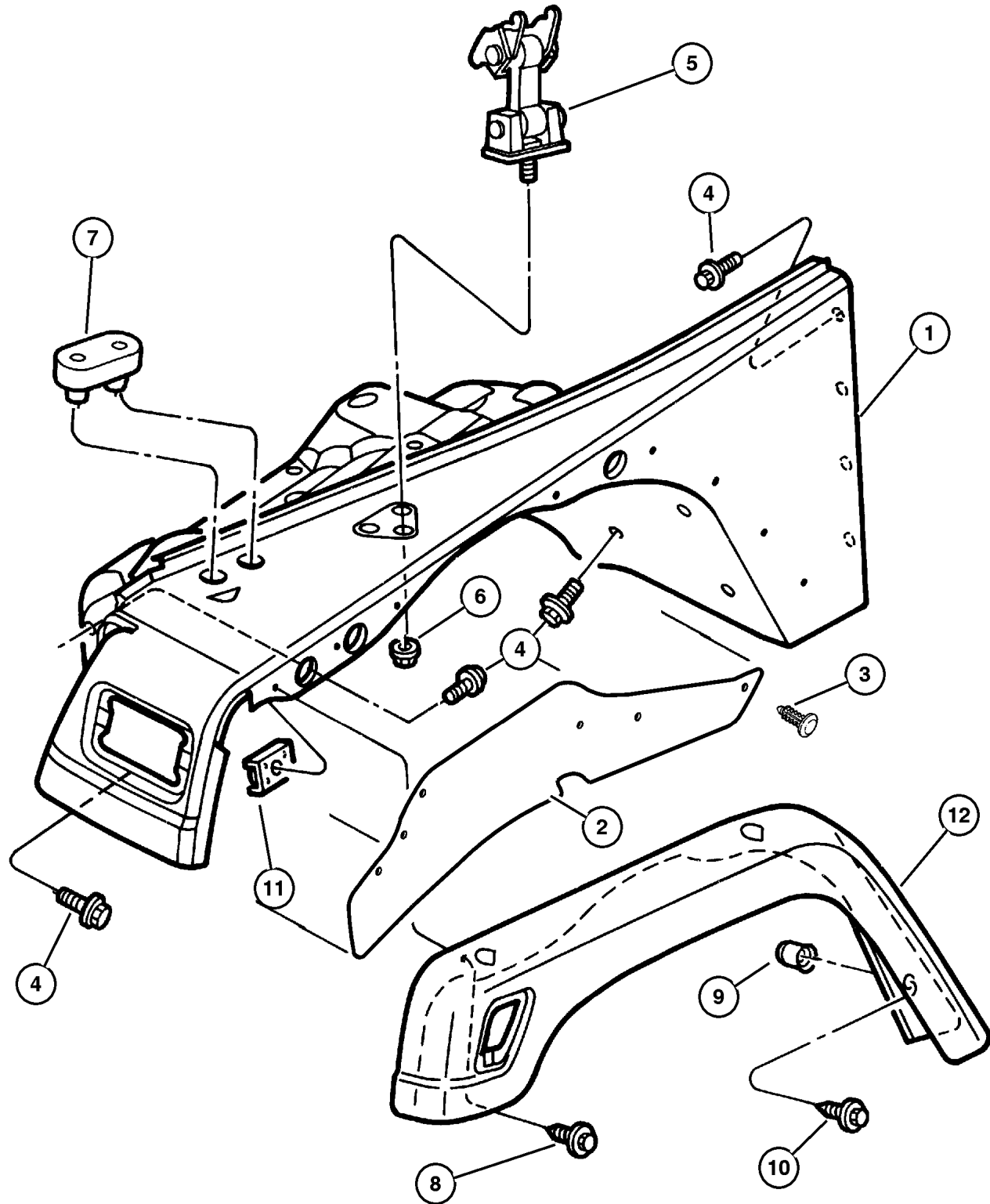
SERIES	LINE	BODY	ENGINE	TRANSMISSION
H = Sport	J = Wrangler 4WD	77 = 93.4 WB	ED1, ED0 = 2.4L DOHC	DGG, DGD = 32RH 3 Spd. Auto.
L = SE	U = Wrangler 4WD (RHD)		ERH = 4.0L Power Tech	DDD = 5 Speed HD Manual
M = X				DG0 = Auto. Trans.
P = Sahara				DBB = Manual Trans.
S = Rubicon				DDK = 5 Speed Manual

AR = Use as required - = Non illustrated part # = New this model year

January 6, 2004

Fender And Flare, Front  
Figure STJ-410

ITEM	PART NUMBER	QTY	LINE	SERIES	BODY	ENGINE	TRANS	TRIM	DESCRIPTION
1									PANEL, Fender
	5003 950AF	1							Right
	5003 951AF	1							Left
2	5517 4658	2							SHIELD, Splash, Front
3	6030 441	12							PIN, Retainer
4	6100 583	8							BOLT AND CONED WASHER, Hex Head, M8x25x20
5	55176 636AD	2							CATCH, Hood
6	3420 1416	2							NUT, Hex Flange, M8x1.25
7	J400 7541	2							BUMPER, Fender, Oblong Head, Hood Cushion
8									SCREW AND WASHER, [.190-16x.750], (NOT SERVICED) (Not Serviced)
9	6504 601	6							NUT, Rivet Round, M5x0.80x11.09
10									SCREW AND WASHER, M5x.080x20.00, (NOT SERVICED) (Not Serviced)
11	J400 4868	14							NUT, Plastic
12									EXTENSION, Fender
	5525 4918	1							[K30], Black, Textured, Right
	#5KC27 DX9AA	1							[K3X], Left
	5525 4919	1							[K30], Black, Textured, Left
	QP94 TZZAC	1							[K50], Right
	QP95 TZZAC	1							[K50], Left
	#5139 250AA	1			77				Rubicon Export, Right
	#5139 251AA	1			77				Rubicon Export, Left
	#5KC26 AJ7AA	1							[K3G], Right
	#5KC26 DX9AA	1							[K3X], Right
	#5KC27 AJ7AA	1							[K3G], Left



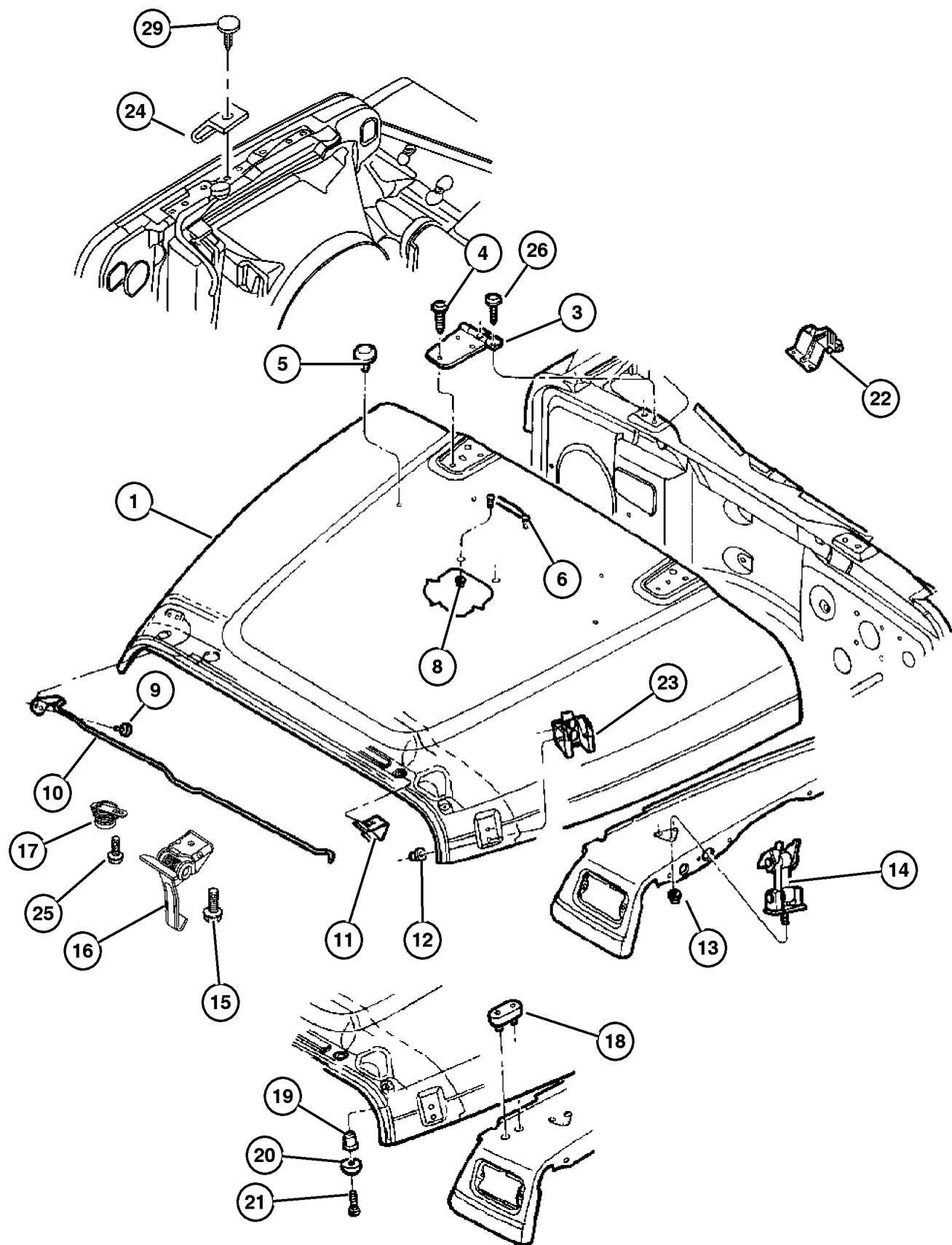
JEEP WRANGLER (TJ)

SERIES	LINE	BODY	ENGINE	TRANSMISSION
H = Sport	J = Wrangler 4WD	77 = 93.4 WB	ED1, ED0 = 2.4L DOHC	DGG, DGD = 32RH 3 Spd. Auto.
L = SE	U = Wrangler 4WD (RHD)		ERH = 4.0L Power Tech	DDD = 5 Speed HD Manual
M = X				DG0 = Auto. Trans.
P = Sahara				DBB = Manual Trans.
S = Rubicon				DDK = 5 Speed Manual

AR = Use as required - = Non illustrated part # = New this model year

January 6, 2004

## Hood, Lock, Catches Figure STJ-510



ITEM	PART NUMBER	QTY	LINE	SERIES	BODY	ENGINE	TRANS	TRIM	DESCRIPTION
1	55176 594AF	1							HOOD
-2	5517 6589	AR							SHIM
3	5507 5559	2							HINGE, Hood
4	6503 154	6							SCREW AND WASHER, Round Head, M8x1.25x20
5	55075 590AB	2							BUMPER, Hood
6	5517 6422	1							BRACKET, Windshield Hold Down
-7	6036 102AA	4							SCREW, .19-24.50
8	6502 028	2							NUT AND WASHER, Hex Nut-Coned Washer, M4 x 0.70
9	6034 980	2							SCREW, Pan Head, .19-24x.437
10	55176 635AF	1							ROD, Hood Prop
11	J400 7456	1							CLIP, Prop Rod
12	6504 030	4							NUT AND WASHER, Hex, M6x1
13	3420 1416	2							NUT, Hex Flange, M8x1.25
14	55176 636AD	2							CATCH, Hood
15									SCREW AND WASHER, M6x1.00x20.00, (NOT SERVICED) (Not Serviced)
16	55176 731AF	1							HOOK, Hood Safety Catch
17	55176 732AC	1							SPRING, Hood Pop Up
18	J400 7541	2							BUMPER, Fender, Oblong
19	J400 5237	2							NUT, Hex, .19-32x430, Well Type Hood Bumper Support
20	5517 6291	2							BUMPER, Steel Insert
21	6034 205	2							SCREW, Pan Head, .19-32x.625, Hood Bumper Support
22	5517 5096	2							REINFORCEMENT, Hood Hinge
23	55176 428AC	2							BRACKET, Hood Catch
24	5503 2768	1							SKID PLATE, Secondary Hood Catch
25									SCREW, .190-16x.500, (NOT SERVICED) (Not Serviced)
26	6503 448	4							SCREW, Round Head, M8x1.25x30
-27	55352 876AB	1							INSULATION, Hood
-28	6500 787	1			77				RIVET, M5x11.30
29	6500 787	1							RIVET, M5x11.30

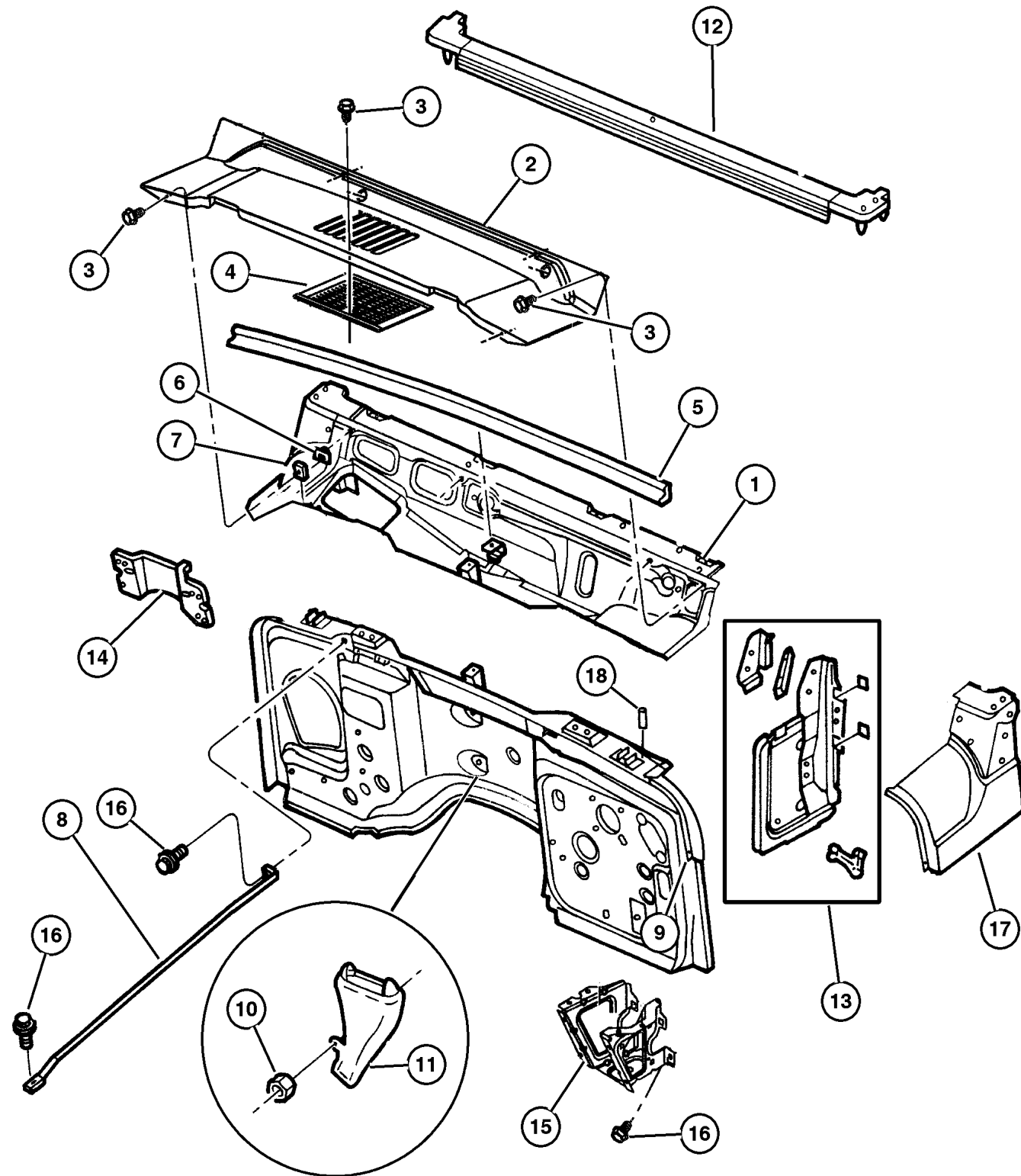
### JEEP WRANGLER (TJ)

SERIES	LINE	BODY	ENGINE	TRANSMISSION
H = Sport	J = Wrangler 4WD	77 = 93.4 WB	ED1, ED0 = 2.4L DOHC	DGG, DGD = 32RH 3 Spd. Auto.
L = SE	U = Wrangler 4WD (RHD)		ERH = 4.0L Power Tech	DDD = 5 Speed HD Manual
M = X				DG0 = Auto. Trans.
P = Sahara				DBB = Manual Trans.
S = Rubicon				DDK = 5 Speed Manual

AR = Use as required - = Non illustrated part # = New this model year

January 6, 2004

**Panels, Cowl And Dash  
Figure STJ-610**



ITEM	PART NUMBER	QTY	LINE	SERIES	BODY	ENGINE	TRANS	TRIM	DESCRIPTION
1									PANEL, Cowl
	55174 624AJ	1	J						
	55174 625AJ	1	U		77				
2									GRILLE, Cowl Panel
	55174 636AB	1	J						
	55174 637AC	1	U		77				
3									SCREW, [.164-15x1.21], (NOT SERVICED) (Not Serviced)
4	55037 422AC	1							SCREEN, Cowl
5	55174 640AE	1							WEATHERSTRIP, Hood to Cowl
6	6507 547AA	4							NUT, Snap In
7	0152 490	3							NUT, Spring, .16-18
8	55176 588AB	2							BRACKET, Dash Panel to Plenum
9									PANEL, Dash
	#55174 644AH	1	J						
	55174 645AE	1	U						
10									NUT, Hex, M6x1.00, (NOT SERVICED) (Not Serviced)
11	5517 6555	1							DRAIN, Heater and A/C
12	55395 032AE	1							WEATHERSTRIP, Windshield to Cowl
13									PANEL, Cowl Side
	55176 092AB	1	U		77				Upper Right
		1	J						Upper Right
	55176 093AB	1	U		77				Upper Left
		1	J						Upper Left
14									BRACKET, Module
	5517 6011	1	J						
	5517 6099	1	U		77				
15									REINFORCEMENT, Battery Tray
	55174 782AD	1							Right
	55174 783AD	1							Left
16	6100 583	6							BOLT AND CONED WASHER, Hex Head, M8x25x20
17									PANEL, Cowl Top, Serviced in Panel Body Side, (NOT SERVICED) (Not Serviced)
18	6504 649	4							CAP, Bolt Cover

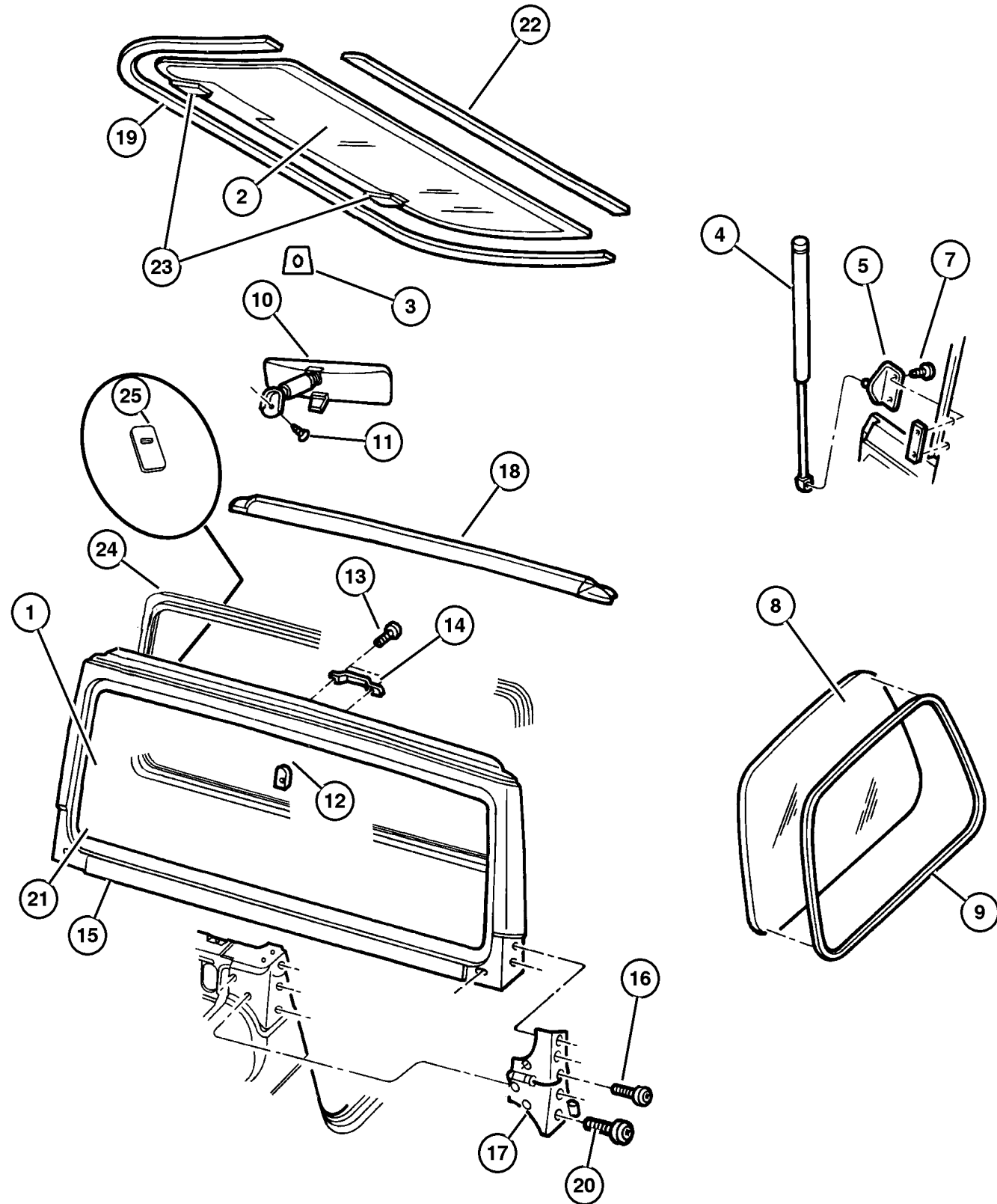
**JEEP WRANGLER (TJ)**

SERIES	LINE	BODY	ENGINE	TRANSMISSION
H = Sport	J = Wrangler 4WD	77 = 93.4 WB	ED1, ED0 = 2.4L DOHC	DGG, DGD = 32RH 3 Spd. Auto.
L = SE	U = Wrangler 4WD (RHD)		ERH = 4.0L Power Tech	DDD = 5 Speed HD Manual
M = X				DG0 = Auto. Trans.
P = Sahara				DBB = Manual Trans.
S = Rubicon				DDK = 5 Speed Manual

AR = Use as required - = Non illustrated part # = New this model year

January 6, 2004

**Glass, Windshield, Backlite, Quarter Windshield Frame, Hinges**  
**Figure STJ-710**



ITEM	PART NUMBER	QTY	LINE	SERIES	BODY	ENGINE	TRANS	TRIM	DESCRIPTION
1	4874 995AC	1							WINDSHIELD
2	5096 041AA	1							BACKLITE Tinted
	5096 143AA	1							Privacy
3									BRACKET, Ballstud
	4883 496AA	1							Right
	4883 497AA	1							Left
4	55076 310AB	2							PROP, Liftgate
5									BALL STUD, Body Side
	55076 311AB	2			77				
		2			78				
-6									STUD, Ball Stud Mounting
	J369 6930	2			77				
		2			78				
7									SCREW, M6x1.00x20.00, (NOT SERVICED) (Not Serviced)
8									GLASS, Quarter Window
	5517 6278	1			77				Tinted, Right
	5517 6279	1			77				Tinted, Left
	5517 6306	1			77				Privacy, Right
	5517 6307	1			77				Privacy, Left
	#55395 178AA	1	J		78				Privacy, Right
	#55395 179AA	1	J		78				Privacy, Left
9									MOLDING, Quarter Window
	5517 6577	2			77				
	#55395 175AA	2	J		78				
10									MIRROR, Inside Rear View
	55156 172AA	1							With Lamps
	55156 197AA	1							
11									SCREW, Pan Head, .164-32x.460, (NOT SERVICED) (Not Serviced)
12	5507 6401	1							BUTTON, Rear View Mirror
13									SCREW, .190-24x.500, (NOT SERVICED) (Not Serviced)
14	55177 497AA	1							FOOTMAN LOOP, Hold Down
15	55395 014AA	1							PANEL, Windshield Frame
16	6035 898	2							SCREW AND WASHER, Truss
									Head, .312-18x1.12
17									HINGE, Door
	55075 702AH	1							Right
	55075 703AH	1							Left
18	55395 101AB	1							SEAL, Header Opening

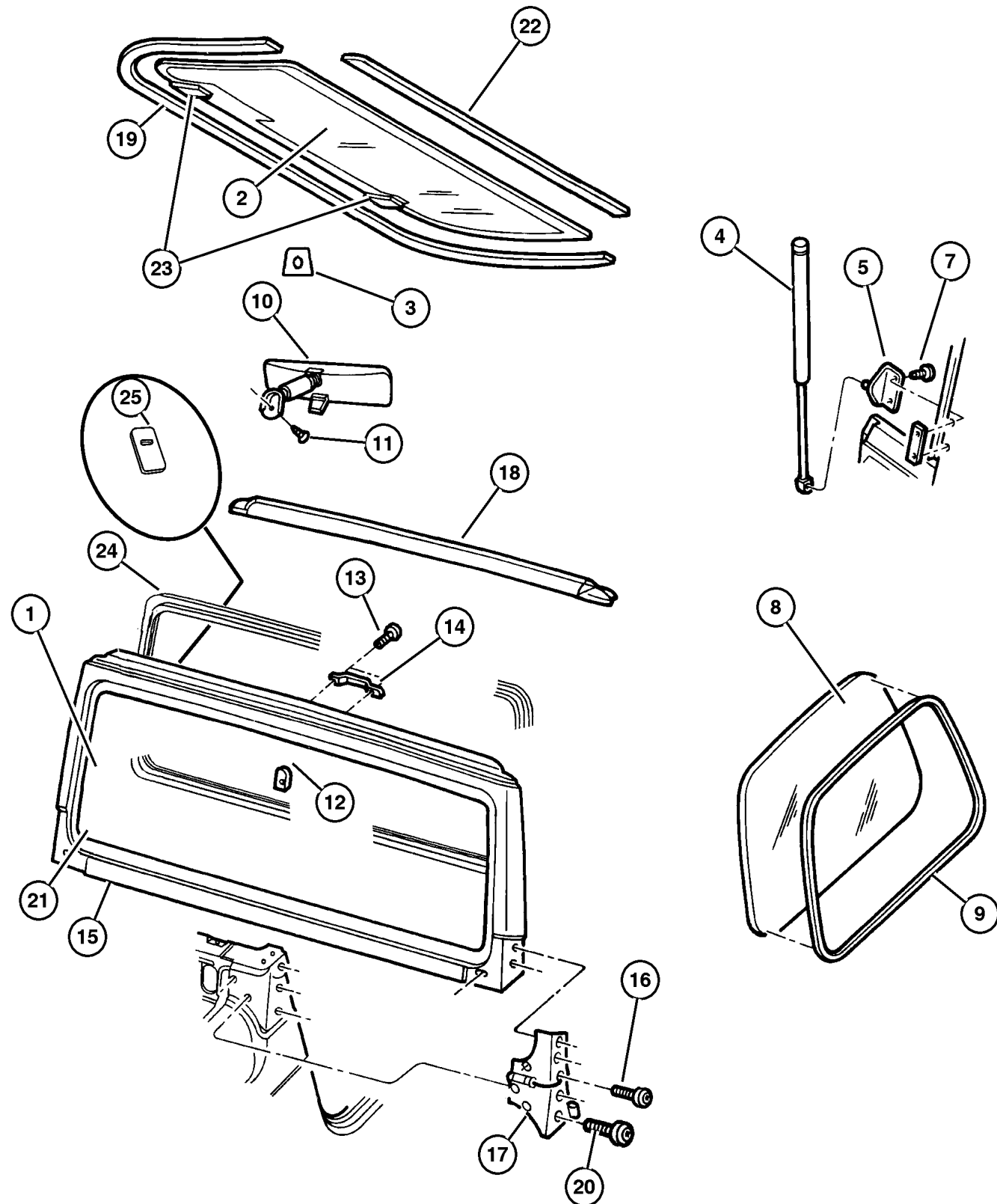
**JEEP WRANGLER (TJ)**

SERIES	LINE	BODY	ENGINE	TRANSMISSION
H = Sport	J = Wrangler 4WD	77 = 93.4 WB	ED1, ED0 = 2.4L DOHC	DGG, DGD = 32RH 3 Spd. Auto.
L = SE	U = Wrangler 4WD (RHD)		ERH = 4.0L Power Tech	DDD = 5 Speed HD Manual
M = X				DG0 = Auto. Trans.
P = Sahara				DBB = Manual Trans.
S = Rubicon				DDK = 5 Speed Manual

AR = Use as required - = Non illustrated part # = New this model year

January 6, 2004

**Glass, Windshield, Backlite, Quarter Windshield Frame, Hinges**  
**Figure STJ-710**



ITEM	PART NUMBER	QTY	LINE	SERIES	BODY	ENGINE	TRANS	TRIM	DESCRIPTION
19	55175 041AF	1							WEATHERSEAL, LIFTGATE
20	6035 757	8							SCREW
21	55176 567AC	1							MOLDING, Windshield Reveal
22	5517 5042	1							WEATHERSTRIP, Backlite
23									HINGE, Liftglass
	5013 722AB	1							Right
	5013 723AB	1							Left
24	55176 430AD	1							MOLDING, Windshield Garnish
25	5517 6421	2							TAPE, Anti Chip
-26	5500 9433	1							GASKET, Hinge To Glass, Backlite
-27	5500 9434	1							BUSHING, Hinge to Glass
-28	5500 9788	1							SEAL, Hinge To Glass
-29	J400 7384	1							NUT AND WASHER, Hex
-30	5501 9378	1							CAP, Hinge Cover
-31									GROMMET, Wiper Motor And Bracket
	5517 6464	1				77			
		1	J			78			

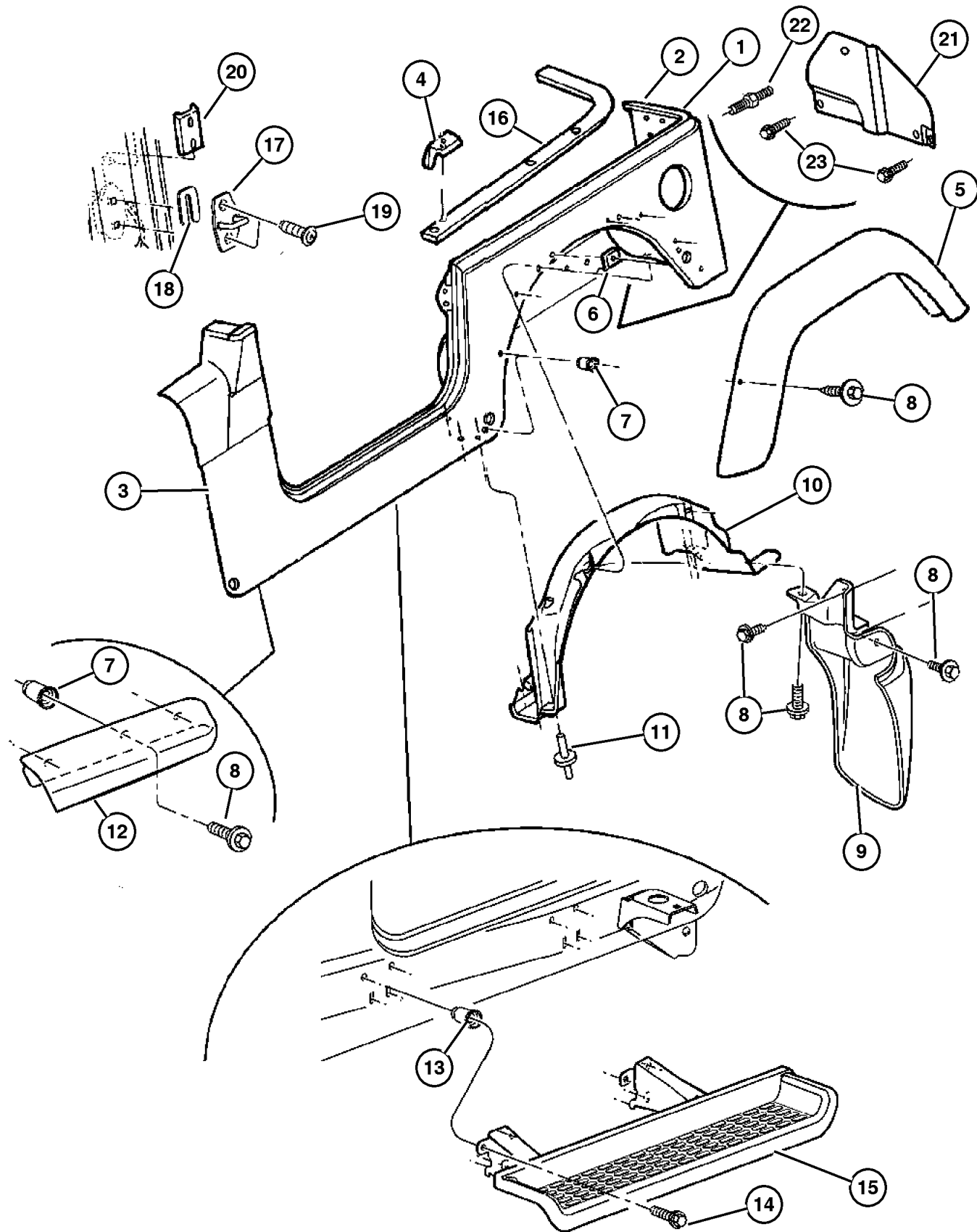
**JEEP WRANGLER (TJ)**

SERIES	LINE	BODY	ENGINE	TRANSMISSION
H = Sport	J = Wrangler 4WD	77 = 93.4 WB	ED1, ED0 = 2.4L DOHC	DGG, DGD = 32RH 3 Spd. Auto.
L = SE	U = Wrangler 4WD (RHD)		ERH = 4.0L Power Tech	DDD = 5 Speed HD Manual
M = X				DG0 = Auto. Trans.
P = Sahara				DBB = Manual Trans.
S = Rubicon				DDK = 5 Speed Manual

AR = Use as required - = Non illustrated part # = New this model year

January 6, 2004

**Panels, Body Side  
Figure STJ-810**



ITEM	PART NUMBER	QTY	LINE	SERIES	BODY	ENGINE	TRANS	TRIM	DESCRIPTION
Note: Sales Code [ABA] = Australia Equipment Group									
1									PANEL, Body Side
	4874 196AG	1			77				Right
	4874 197AG	1			77				Left
	#5134 580AA	1	J		78				Right
	#5134 581AA	1	J		78				Left
2									PANEL, Rear Corner
	5517 5664	1	J		78				Right
	5517 5665	1	J		78				Left
	5517 5664	1			77				Up to 12/19/03, Right
	5517 5665	1			77				Left
	#55175 664AB	1			77				After 12/19/03, Right
3									REINFORCEMENT, Side Panel
	5517 5024	1			77				
		1	J		78				
4									SEAL, Mucket
	55177 256AA	1							Right
	55177 257AA	1							Left
5									EXTENSION, Wheel House
	#5139 252AA	1			77				Rubicon Export, Right
	#5KC21 DX9AA	1							[K3X], Left
	#5139 253AA	1			77				Rubicon Export, Left
	5517 5726	1							[K3], Right
	5517 5727	1							[K3], Left
	5DS74 TZZAD	1							[K50], Right
	5DS75 TZZAD	1							[K50], Left
	#5KC20 AJ7AA	1							[K3G], Right
	#5KC20 DX9AA	1							[K3X], Right
	#5KC21 AJ7AA	1							[K3G], Left
6	J400 4868	10							NUT, Plastic
7	6504 601	6							NUT, Rivet Round, M5x0.80x11.09
8									SCREW AND WASHER, M5X. 80X20.00, (NOT SERVICED) (Not Serviced)
9									SHIELD, Splash
	55155 696AA	1							Right
	55155 697AA	1							Left
	55156 038AB	1							[ABA], Australia, Right
	55156 039AB	1							[ABA], Australia, Left
	#5139 256AA	1			77				Rubicon Export, Right
	#5139 257AA	1			77				Rubicon Export, Left

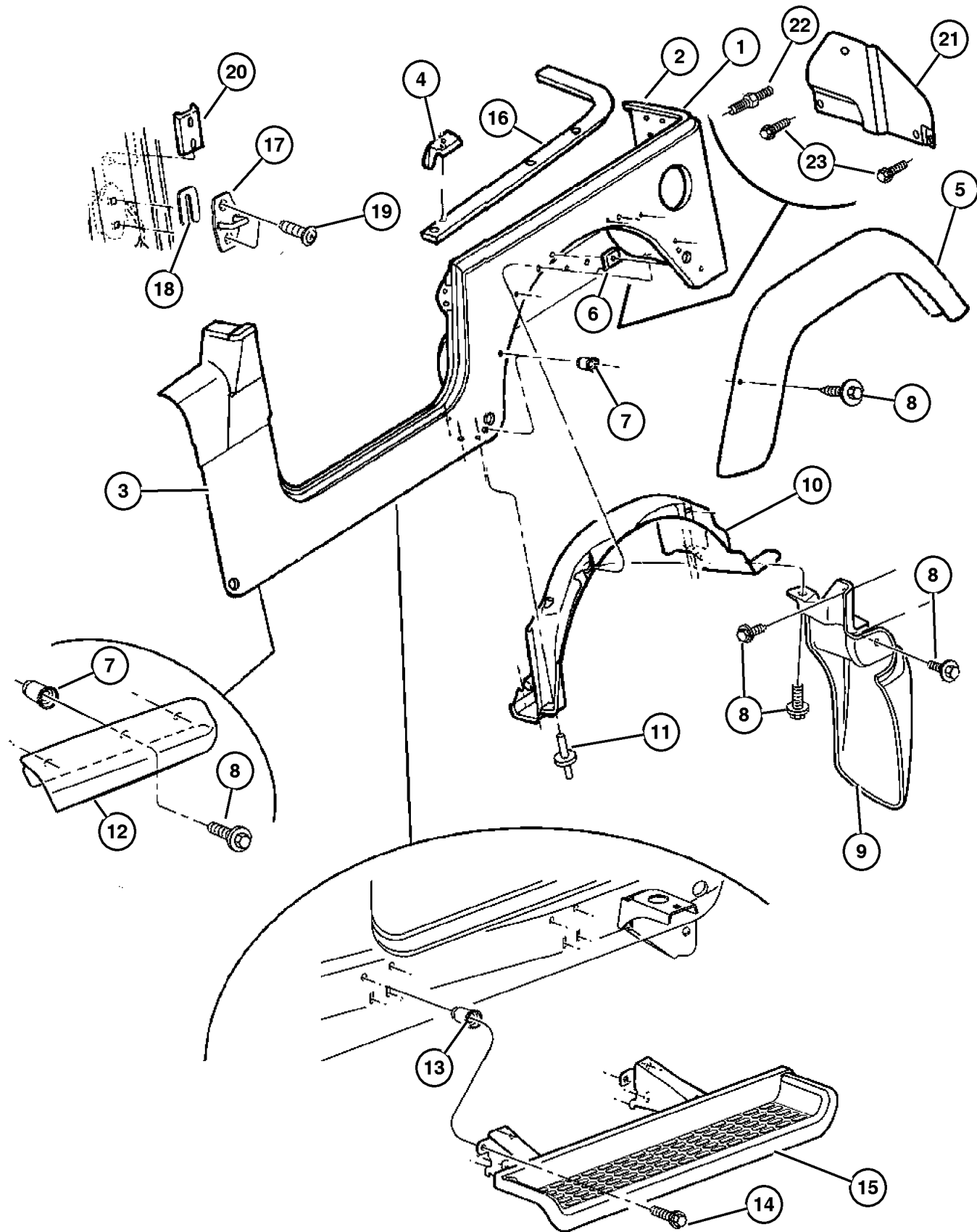
**JEEP WRANGLER (TJ)**

SERIES	LINE	BODY	ENGINE	TRANSMISSION
H = Sport	J = Wrangler 4WD	77 = 93.4 WB	ED1, ED0 = 2.4L DOHC	DGG, DGD = 32RH 3 Spd. Auto.
L = SE	U = Wrangler 4WD (RHD)		ERH = 4.0L Power Tech	DDD = 5 Speed HD Manual
M = X				DG0 = Auto. Trans.
P = Sahara				DBB = Manual Trans.
S = Rubicon				DDK = 5 Speed Manual

AR = Use as required - = Non illustrated part # = New this model year

January 6, 2004

Panels, Body Side  
Figure STJ-810



ITEM	PART NUMBER	QTY	LINE	SERIES	BODY	ENGINE	TRANS	TRIM	DESCRIPTION
10									SHIELD, Splash, Liner, Rear Wheelhouse
	55155 632AD	1			77				Right
	55155 633AB	1			77				Left
	#56052 388AA	1	J		78				Right
	#56052 389AA	1	J		78				Left
11	6030 441	10							PIN, Retainer
12									EXTENSION, Fender
	5525 4928	1							[K3], Right
	5525 4929	1							[K3], Left
	5DV12 TZZAB	1							[K5], Right
	5DV13 TZZAB	1							[K5], Left
13	6504 397	8							NUT, M8-1.25
14	6501 648	8							SCREW, Hex Flange Head, M8x1.25x25.00
15									STEP PAD, Side Step
	55156 200AB	1							Right
	55156 201AB	1							Left
16									RETAINER, Belt Rail
	55175 754AC	1			77				Right
	55175 755AC	1			77				Left
	#56052 374AA	1	J		78				Right
	#56052 375AA	1	J		78				Left
17	4780 259	2							STRIKER, Door
18									SPACER, Door Latch Striker
	4520 289	AR							[2.0/2.5] Thick
	5507 5483	AR							SCREW AND WASHER, Button
19	6503 120	4							Head Torx, M8x1.25x39.50
20									PLATE, Striker
	4674 669	1			77				
		1	J		78				
21	55395 030AA	1							SHIELD, Wheelhouse
22	6507 536AA	1							STUD, M8x25
23	6503 543	2							BOLT AND CONED WASHER, Hex Head, M8x1.25x25

JEEP WRANGLER (TJ)

SERIES  
H = Sport  
L = SE  
M = X  
P = Sahara  
S = Rubicon

LINE  
J = Wrangler 4WD  
U = Wrangler 4WD (RHD)

BODY  
77 = 93.4 WB

ENGINE  
ED1, ED0 = 2.4L DOHC  
ERH = 4.0L Power Tech

TRANSMISSION  
DGG, DGD = 32RH 3 Spd. Auto.  
DDD = 5 Speed HD Manual  
DGO = Auto. Trans.  
DBB = Manual Trans.  
DDK = 5 Speed Manual

AR = Use as required - = Non illustrated part # = New this model year

January 6, 2004



## Soft Top And Windows Figure STJ-1110

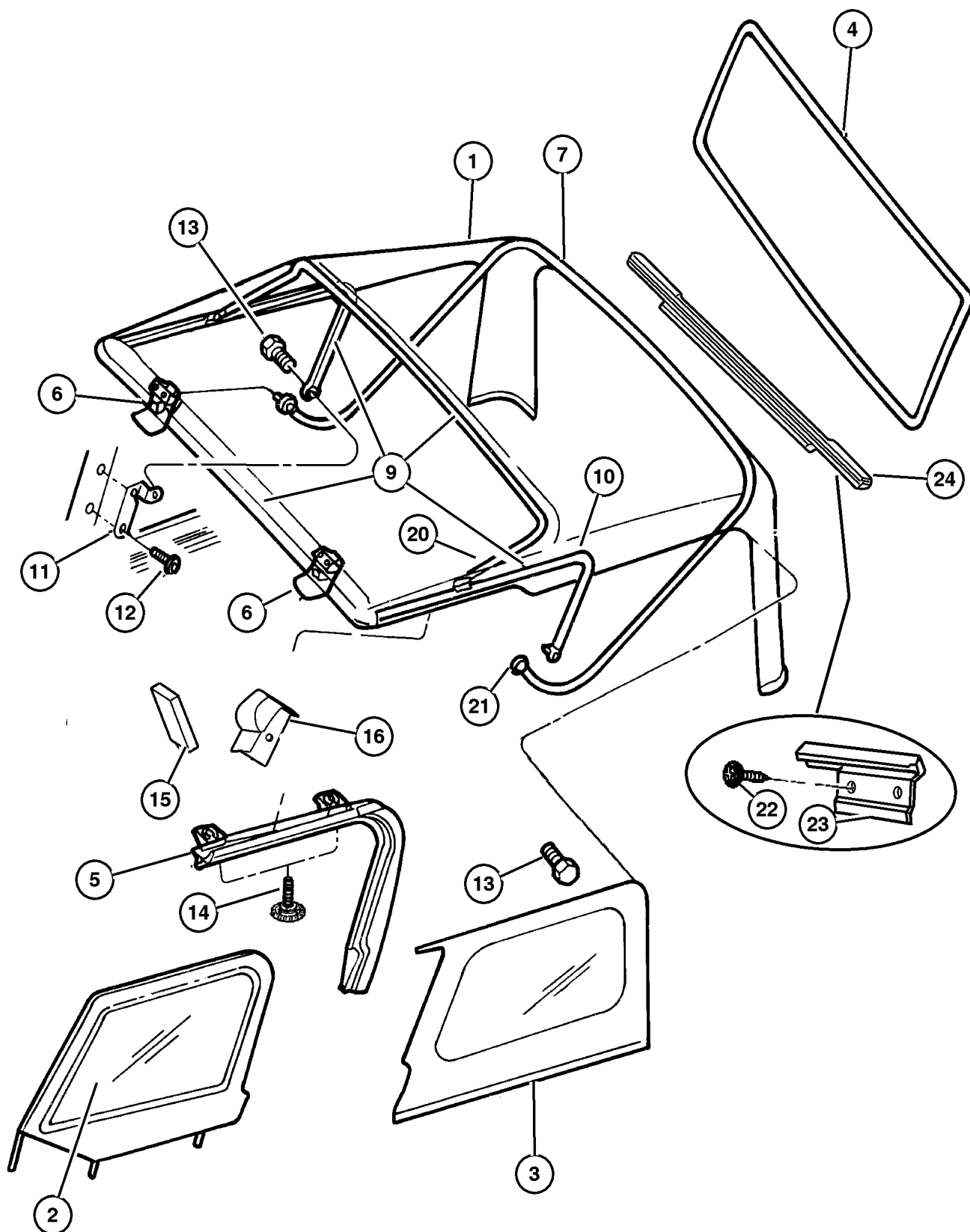
ITEM	PART NUMBER	QTY	LINE	SERIES	BODY	ENGINE	TRANS	TRIM	DESCRIPTION
Note: 2003 Soft Top contains handed zippers for right and left quarter windows. Tailgate window contains 2 zippers.									
1	5JM59 SX9AD	1							COVER, Soft Top
	5JM59 ZJ8AD	1							[VJX], Black
	5JM59 AJ7AD	1							[VJK], Khaki
									[VJG], Green
2	5JH10 AJ7AD	1							WINDOW, Half Door Soft Top
	5JH10 SX9AD	1							[VJG], Green, Right
	5JH10 ZJ8AD	1							[VJX], Black, Right
	5JH11 AJ7AD	1							[VJK], Khaki, Right
	5JH11 SX9AD	1							[VJG], Green, Left
	5JH11 ZJ8AD	1							[VJX], Black, Left
									[VJK], Khaki, Left
3	5JH08 SX9AC	1							WINDOW, Quarter
	5JH13 ZJ8AC	1							Tinted, [VJX], Black, Right
	5JH08 ZJ8AC	1							Privacy, [VJK], Khaki, Left
	5JH09 SX9AC	1							Tinted, [VJK], Khaki, Right
	5JH09 ZJ8AC	1							Tinted, [VJX], Black, Left
	5JH12 AJ7AC	1							Tinted, [VJK], Khaki, Left
	5JH12 SX9AC	1							Privacy, [VJG], Green, Right
	5JH12 ZJ8AC	1							Privacy, [VJX], Black, Right
	5JH13 AJ7AB	1							Privacy, [VJK], Khaki, Right
	5JH13 SX9AB	1							Privacy, [VJG], Green, Left
									Privacy, [VJX], Black, Left
4	5JH07 SX9AB	1							WINDOW, Tailgate
	5JH07 ZJ8AB	1							Tinted, [VJX], Black
	5JH14 AJ7AC	1							Tinted, [VJK], Khaki
	5JH14 SX9AB	1							Privacy, [VJG], Green
	5JH14 ZJ8AC	1							Privacy, [VJX], Black
									Privacy, [VJK], Khaki
5	55175 858AG	1							FRAME, Door Glass
	55175 859AG	1							Right
	55176 287AC	2							Left
6	55395 013AC	1							LATCH AND BASE, Folding Top
7	4778 470	1							BOW, Folding Top, Number 3
-8	4874 281	1							SNAP KIT, Soft Top
9	5517 6206	2							BOW, Folding Top, Number 1
10									BUMPER, Rubber
11	55395 006AB	1							BRACKET, Soft Top Bow 1 & 3
	55395 007AB	1							Right
	6503 259	4							Left
12	6036 311AA	4							SCREW, Tapping, M6x1x20
13									SCREW, Shoulder

### JEEP WRANGLER (TJ)

SERIES	LINE	BODY	ENGINE	TRANSMISSION
H = Sport	J = Wrangler 4WD	77 = 93.4 WB	ED1, ED0 = 2.4L DOHC	DGG, DGD = 32RH 3 Spd. Auto.
L = SE	U = Wrangler 4WD (RHD)		ERH = 4.0L Power Tech	DDD = 5 Speed HD Manual
M = X				DG0 = Auto. Trans.
P = Sahara				DBB = Manual Trans.
S = Rubicon				DDK = 5 Speed Manual

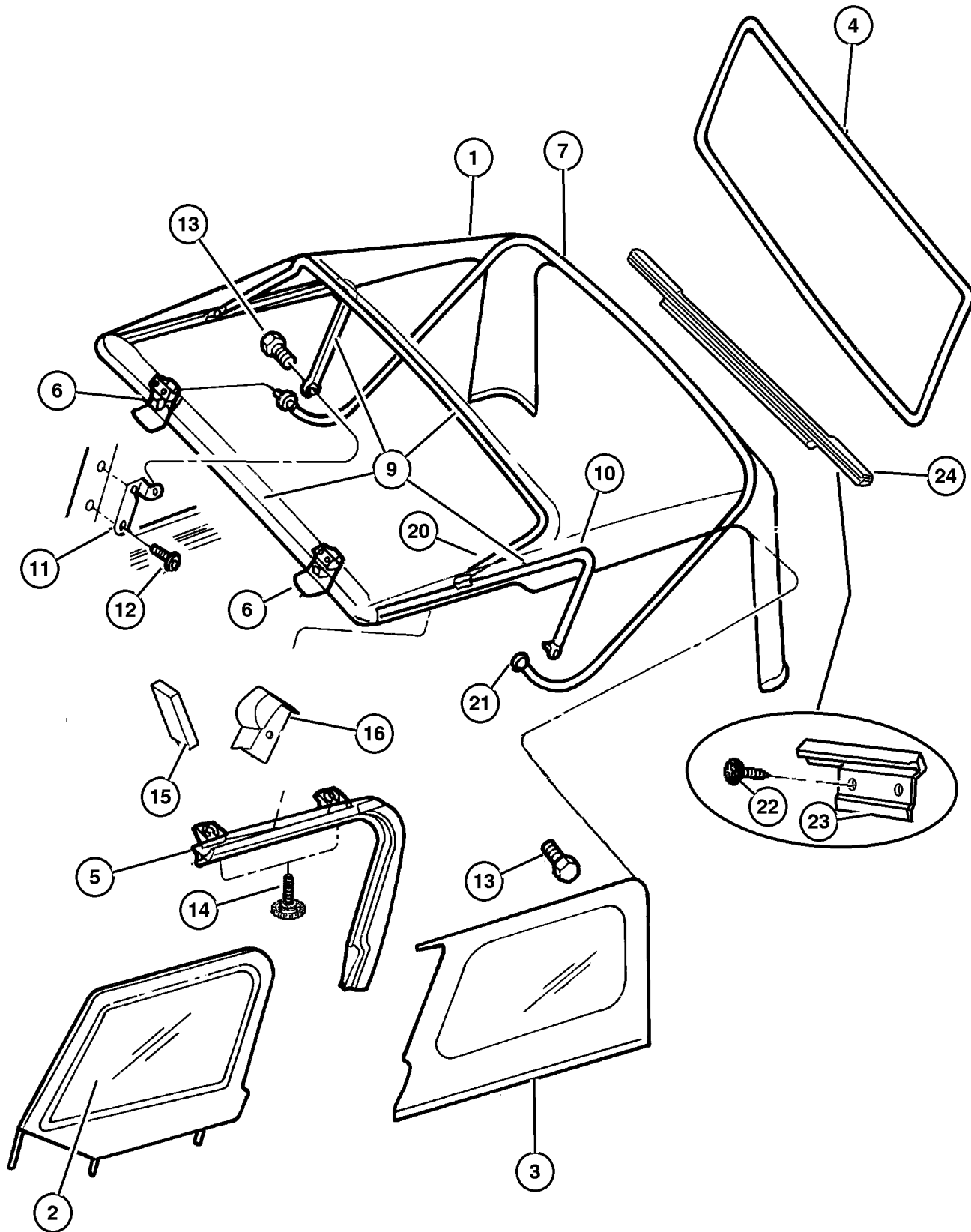
AR = Use as required - = Non illustrated part # = New this model year

January 6, 2004



Soft Top And Windows  
Figure STJ-1110

ITEM	PART NUMBER	QTY	LINE	SERIES	BODY	ENGINE	TRANS	TRIM	DESCRIPTION
14	5517 6198	4							PIN, Release Lever
15									SEAL, Door, Also Serviced in Frame Door Glass, (NOT SERVICED) (Not Serviced)
16									SEAL, Header Top And Side Rail Right
	55176 722AC	1							Left
-17	55176 444AB	2							STRAP, Retaining
-18	4897 190AA	1							PULL STRAP KIT, Zipper
-19	5FZ85 BX7AB	1							BOOT, Folding Top
20	55175 813AC	2							KNUCKLE, Rear
21	55176 064AC	2							KNUCKLE, Rear
22									SCREW AND WASHER, [.164-18x. 625], (NOT SERVICED) (Not Serviced)
23									CLIP, Tailgate Opening Right
	55176 738AA	1							Left
24	55176 736AC	1							RETAINER, Soft Top Rail
-25	55177 245AB	1							TOOL, Wrench



JEEP WRANGLER (TJ)

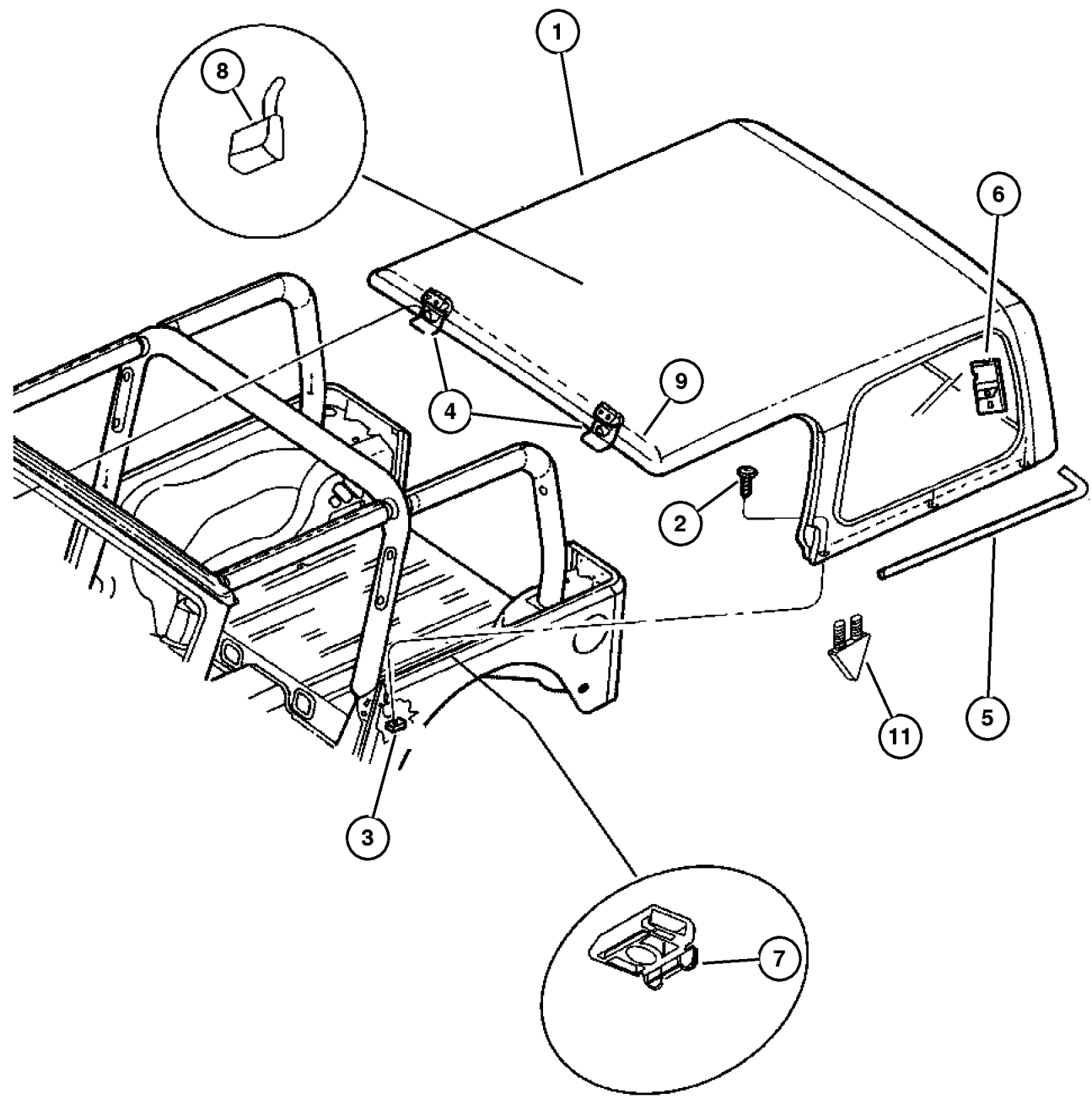
SERIES	LINE	BODY	ENGINE	TRANSMISSION
H = Sport	J = Wrangler 4WD	77 = 93.4 WB	ED1, ED0 = 2.4L DOHC	DGG, DGD = 32RH 3 Spd. Auto.
L = SE	U = Wrangler 4WD (RHD)		ERH = 4.0L Power Tech	DDD = 5 Speed HD Manual
M = X				DG0 = Auto. Trans.
P = Sahara				DBB = Manual Trans.
S = Rubicon				DDK = 5 Speed Manual

AR = Use as required - = Non illustrated part # = New this model year

January 6, 2004

Top Enclosure, Hard  
Figure STJ-1120

ITEM	PART NUMBER	QTY	LINE	SERIES	BODY	ENGINE	TRANS	TRIM	DESCRIPTION
1									HARDTOP, Shell Only
	#5GN27 HCXAO	1			77				[VKX], Black
	#5GN27 ZJ8AO	1			77				[VKK], Khaki
	#5JR94 HCXAA	1	J		78				[VKX], Black
2	6506 826AA	6							SCREW
3	6506 825AA	6							NUT
4									LATCH AND BASE, Folding Top
	55175 816AC	2	J		78				
		2			77				
5									SEAL, Enclosure To Body
	#55395 188AA	1	J		78				Right
	#55395 189AA	1	J		78				Left
	55176 372AC	1			77				Right
	55176 373AC	1			77				Left
6									COVER, Wiring Protector
	55395 146AA	1	J		78				
		1			77				
7	55176 746AC	4							RETAINER, Folding Top Deck Closure
8	55177 489AA	1							ISOLATOR, FOAM
9	5JB31 SWBAA	1							PANEL, Rear Header
-10	55177 245AB	1							TOOL, Wrench
11	55395 147AA	2							PIN, Locating
-12	55177 246AA	2			77				SEAL



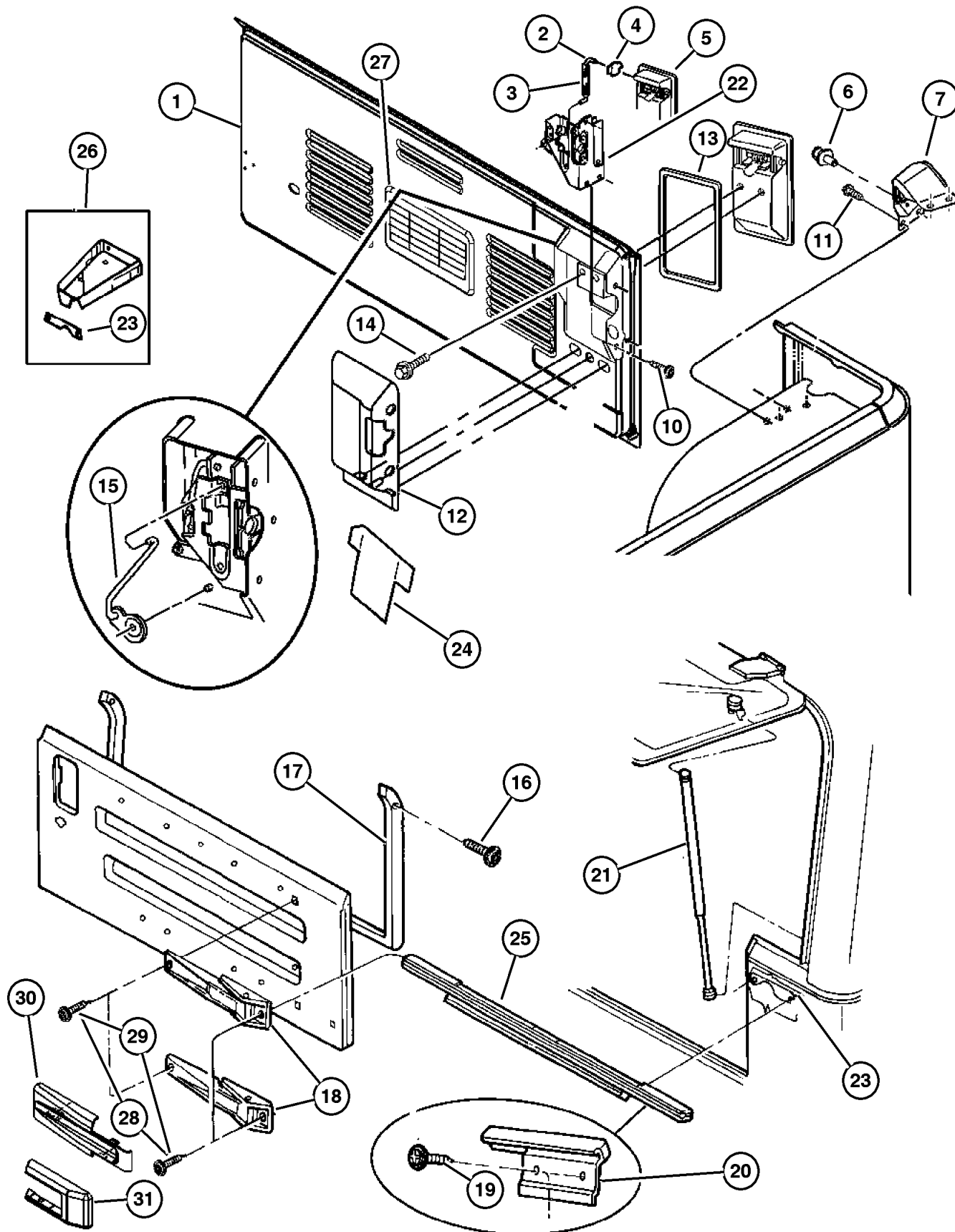
JEEP WRANGLER (TJ)

SERIES	LINE	BODY	ENGINE	TRANSMISSION
H = Sport	J = Wrangler 4WD	77 = 93.4 WB	ED1, ED0 = 2.4L DOHC	DGG, DGD = 32RH 3 Spd. Auto.
L = SE	U = Wrangler 4WD (RHD)		ERH = 4.0L Power Tech	DDD = 5 Speed HD Manual
M = X				DG0 = Auto. Trans.
P = Sahara				DBB = Manual Trans.
S = Rubicon				DDK = 5 Speed Manual

AR = Use as required - = Non illustrated part # = New this model year

January 6, 2004

Tailgate  
Figure STJ-1310



ITEM	PART NUMBER	QTY	LINE	SERIES	BODY	ENGINE	TRANS	TRIM	DESCRIPTION
1	55176 340AG	1							TAILGATE
2	55008 127AB	1							ROD, Tailgate Handle to Latch
3									SLEEVE, Anti-Rattle, Handle to Latch Rod, (NOT SERVICED) (Not Serviced)
4	4658 677	1							CLIP, Latch Link
5	55176 547AB	1							HANDLE, Liftgate
6	55177 243AB	1							PIN, Latch Striker
7	55176 450AE	1							BRACKET, Tailgate Striker
-8	J400 6303	2							RIVET, Dome Head Blind, .125x.275, Serviced in Bracket
-9	5500 1286	1							PLATE, Door Lock Striker, Serviced in Bracket
10	J400 7536	2							SCREW AND WASHER, Tapping, .312-18x.120
11	6505 070AA	4							SCREW, Pan Head
12	55395 100AA	1							COVER, Tailgate Latch
13	J374 3608	1							SEAL, Handle, Outside Door Handle
14	6034 980	2							SCREW, Pan Head, .19-24x.437
15	5507 6011	1							LINK, Key Cylinder To Latch
16									SCREW, .164-18x.625, (NOT SERVICED) (Not Serviced)
17	55175 043AF	1							WEATHERSEAL, Tailgate
18									HINGE, Tailgate
	5507 5567	2							Up to 12/19/03
	55395 194AA	2							After 12/19/03
19									SCREW AND WASHER, [.164-18x.625], (NOT SERVICED) (Not Serviced)
20									CLIP, Tailgate Opening
	55176 738AA	1							Right
	55176 739AA	1							Left
21	55076 310AB	2							PROP, Liftgate
22	55074 947AC	1							LATCH, Tailgate
23	5517 6615	2							PLATE, Tailgate Latch
24	5502 5280	1							WATERSHIELD, Tailgate Latch
25	55176 736AC	1							RETAINER, Soft Top Rail
26									REINFORCEMENT, Tailgate Hinge
	55236 044AA	1				77			Up to 12/19/03
	#55236 044AB	1				77			After 12/19/03
	#56052 359AB	1	J			78			
27	55055 998AD	1							EXHAUSTER, Bodyside Aperture

JEEP WRANGLER (TJ)

SERIES  
H = Sport  
L = SE  
M = X  
P = Sahara  
S = Rubicon

LINE  
J = Wrangler 4WD  
U = Wrangler 4WD (RHD)

BODY  
77 = 93.4 WB

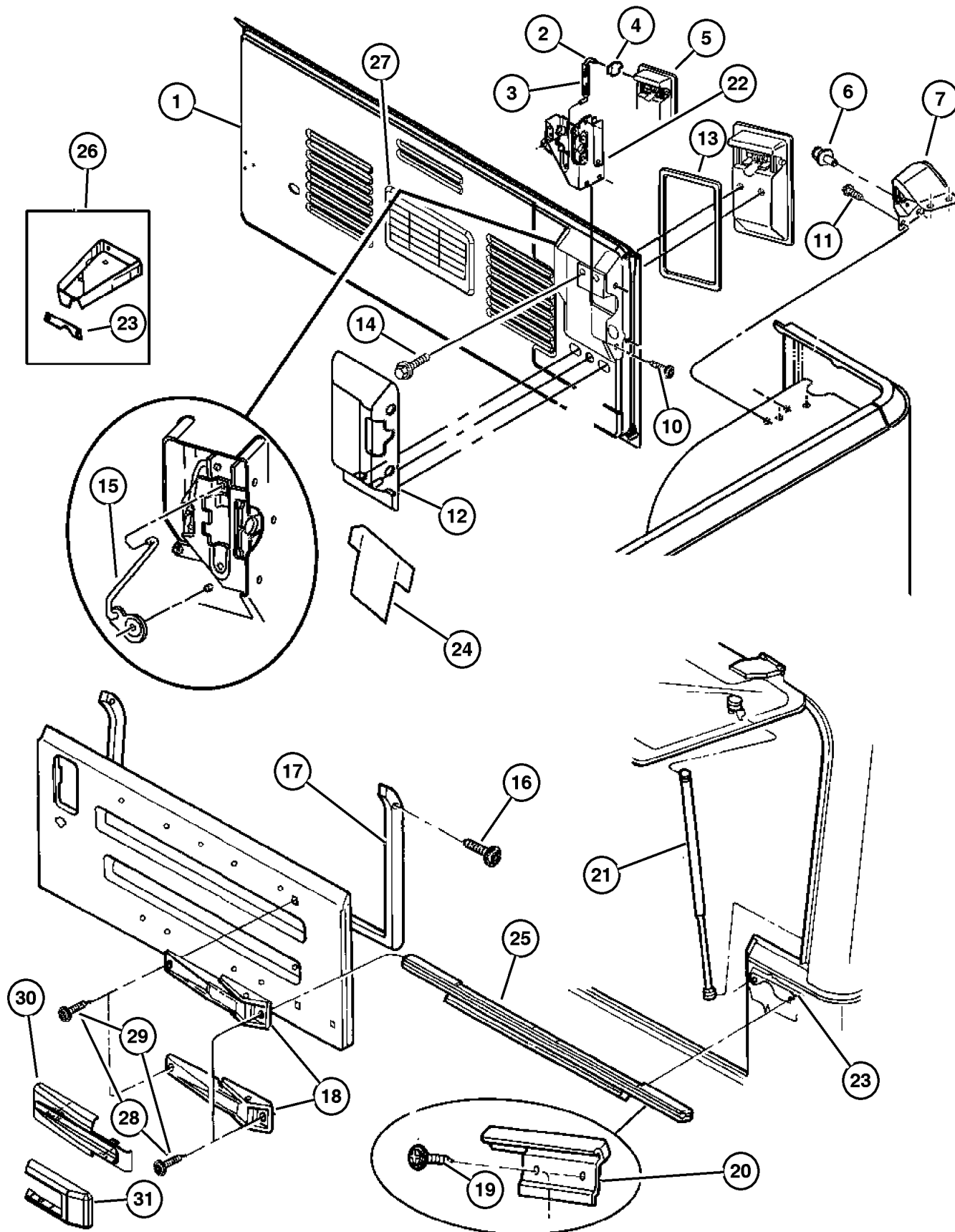
ENGINE  
ED1, ED0 = 2.4L DOHC  
ERH = 4.0L Power Tech

TRANSMISSION  
DGG, DGD = 32RH 3 Spd. Auto.  
DDD = 5 Speed HD Manual  
DGO = Auto. Trans.  
DBB = Manual Trans.  
DDK = 5 Speed Manual

AR = Use as required - = Non illustrated part # = New this model year

January 6, 2004

Tailgate  
Figure STJ-1310



ITEM	PART NUMBER	QTY	LINE	SERIES	BODY	ENGINE	TRANS	TRIM	DESCRIPTION
28	6035 493	4							SCREW, Up to 12/19/03
29	6035 053	4							SCREW AND WASHER, Hex Head, .312-18x1.125, After 12/19/03
30	#55395 195AA	2							COVER, Tailgate Hinge, Body Half, After 12/19/03
31	#55395 196AA	2							COVER, Tailgate Hinge, Hinge, After 12/19/03

JEEP WRANGLER (TJ)

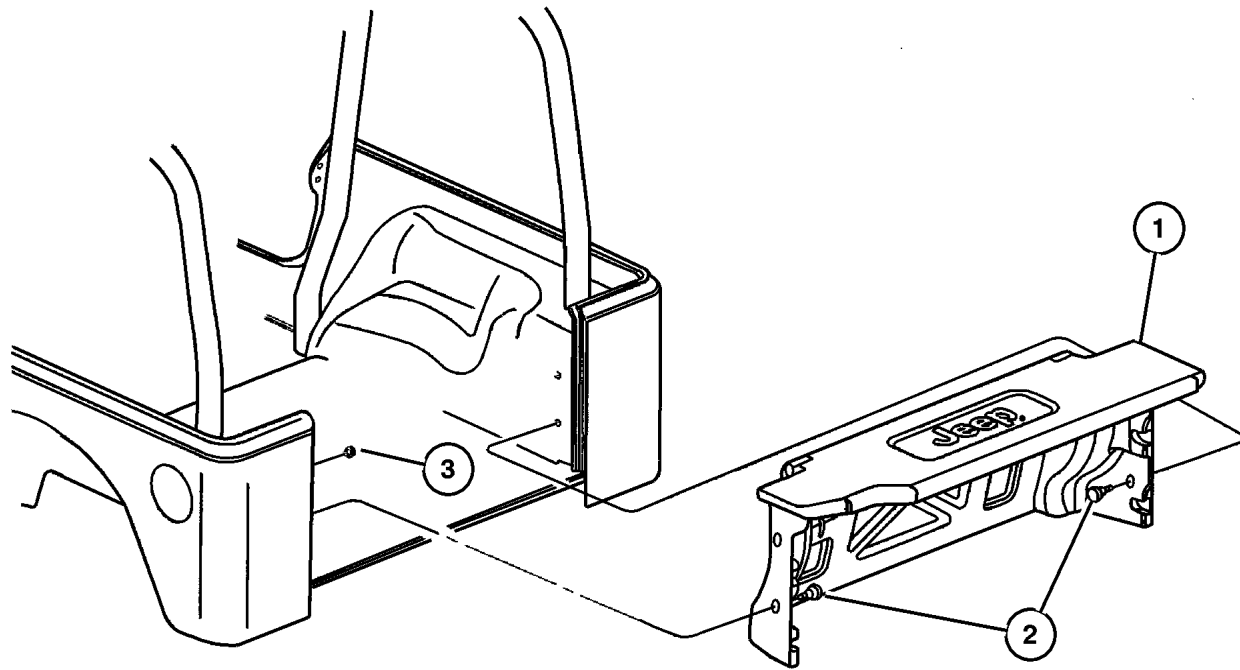
SERIES	LINE	BODY	ENGINE	TRANSMISSION
H = Sport	J = Wrangler 4WD	77 = 93.4 WB	ED1, ED0 = 2.4L DOHC	DGG, DGD = 32RH 3 Spd. Auto.
L = SE	U = Wrangler 4WD (RHD)		ERH = 4.0L Power Tech	DDD = 5 Speed HD Manual
M = X				DG0 = Auto. Trans.
P = Sahara				DBB = Manual Trans.
S = Rubicon				DDK = 5 Speed Manual

AR = Use as required - = Non illustrated part # = New this model year

January 6, 2004

**Add-a-Trunk  
Figure STJ-1320**

ITEM	PART NUMBER	QTY	LINE	SERIES	BODY	ENGINE	TRANS	TRIM	DESCRIPTION
1									PANEL, Add A Trunk
	5GY84 1DVAD	1							[DV]
	5GY84 1J3AD	1							[J3]
2	55352 813AA	4							KNOB
3									PLUG, (NOT SERVICED) (Not Serviced)



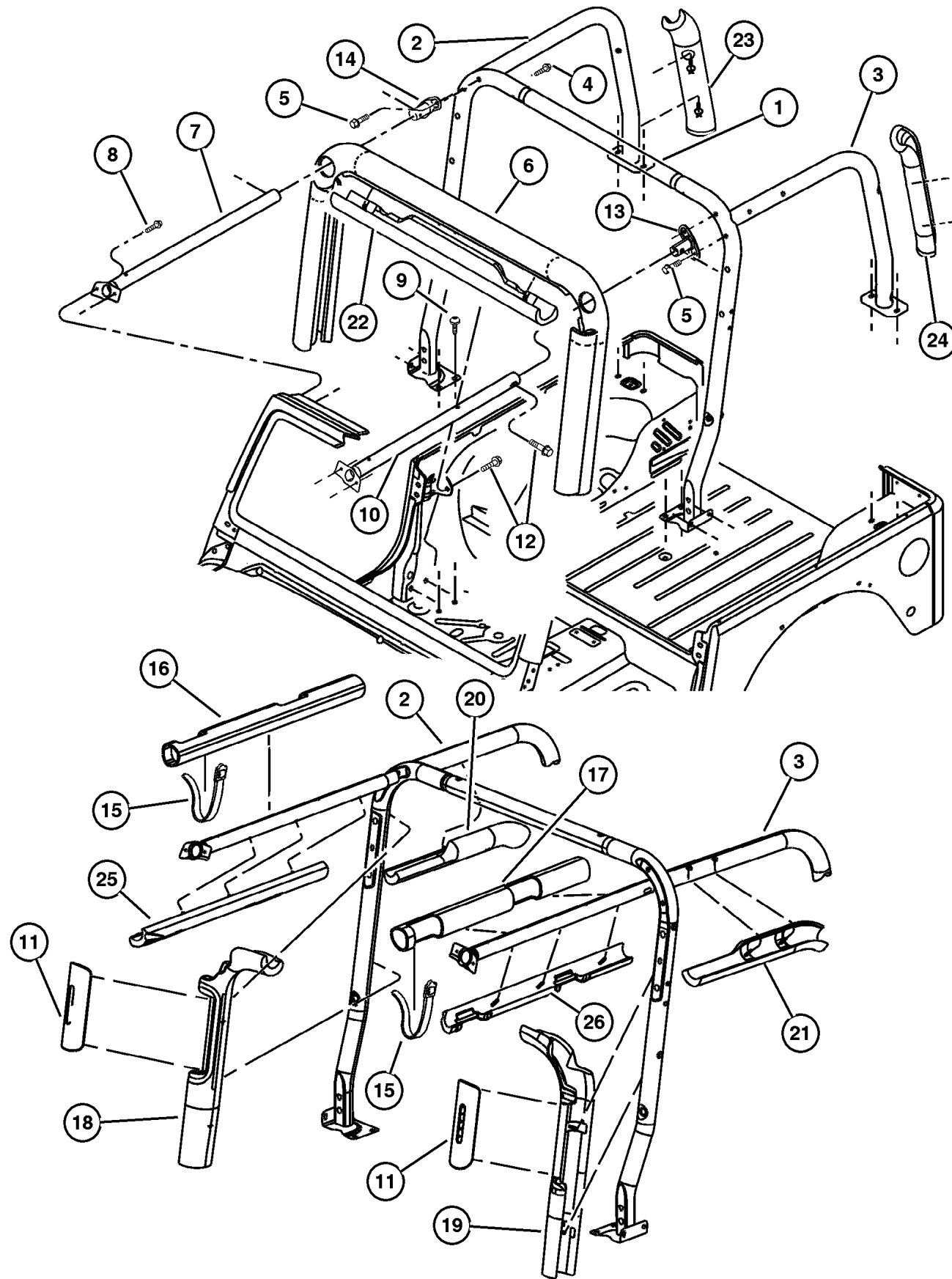
**JEEP WRANGLER (TJ)**

SERIES	LINE	BODY	ENGINE	TRANSMISSION
H = Sport	J = Wrangler 4WD	77 = 93.4 WB	ED1, ED0 = 2.4L DOHC	DGG, DGD = 32RH 3 Spd. Auto.
L = SE	U = Wrangler 4WD (RHD)		ERH = 4.0L Power Tech	DDD = 5 Speed HD Manual
M = X				DG0 = Auto. Trans.
P = Sahara				DBB = Manual Trans.
S = Rubicon				DDK = 5 Speed Manual

AR = Use as required - = Non illustrated part # = New this model year

January 6, 2004

## Sport Bar Wrangler Figure STJ-1610



ITEM	PART NUMBER	QTY	LINE	SERIES	BODY	ENGINE	TRANS	TRIM	DESCRIPTION
1									BAR, Sport
	55176 023AE	1			77				Center
		1	J		78				Center
2									BAR, Sport
	55176 488AF	1			77				Right
	#56052 352AA	1	J		78				Right
3									BAR, Sport
	55176 489AF	1			77				Left
	#56052 353AA	1	J		78				Left
4	6035 970AA	2							SCREW, Pan Head, Side Bar to Bracket
5	6507 373AA	4							SCREW AND WASHER
6									PAD, Sport Bar, Center
	5HM18 DX9AD	1			77				Black
	5JQ64 ZJ3AA	1			77				Khaki
	#5JR60 DX9AA	1	J		78				Black
7	55176 504AE	1							SIDE BAR, Sport Bar, Right
8	6504 050	4							SCREW, M8x1.25x25, Bar to Windshield
9	6035 935AA	12							SCREW AND WASHER, Bar to Floor Pan
10	55176 505AE	1							SIDE BAR, Sport Bar, Left
11									COVER, Turning Loop
	5HM32 DX9AC	1							Black, Right
	5HM32 ZJ3AC	1							Khaki, Right
	5HM33 DX9AC	1							Black, Left
	5HM33 ZJ3AC	1							Khaki, Left
12	6035 970AA	2							SCREW, Pan Head
13	55176 507AC	1							BRACKET, Side, Left
14	55176 506AC	1							BRACKET, Side, Right
15	55015 916AC	3							STRAP, Side Bar Hold Down
16									PAD, Sport Bar
	5HM16 DX9AD	1							Black, Right
	5HM16 ZJ3AD	1							Khaki, Right
17									PAD, Sport Bar
	5HM17 DX9AD	1							Black, Left
	5HM17 ZJ3AD	1							Khaki, Left
18	55352 866AC	1							PAD, Sport Bar, Lower Right
19	55352 867AC	1							PAD, Sport Bar, Lower Left
20									PAD, Sport Bar
	55352 868AB	1			77				Upper Right

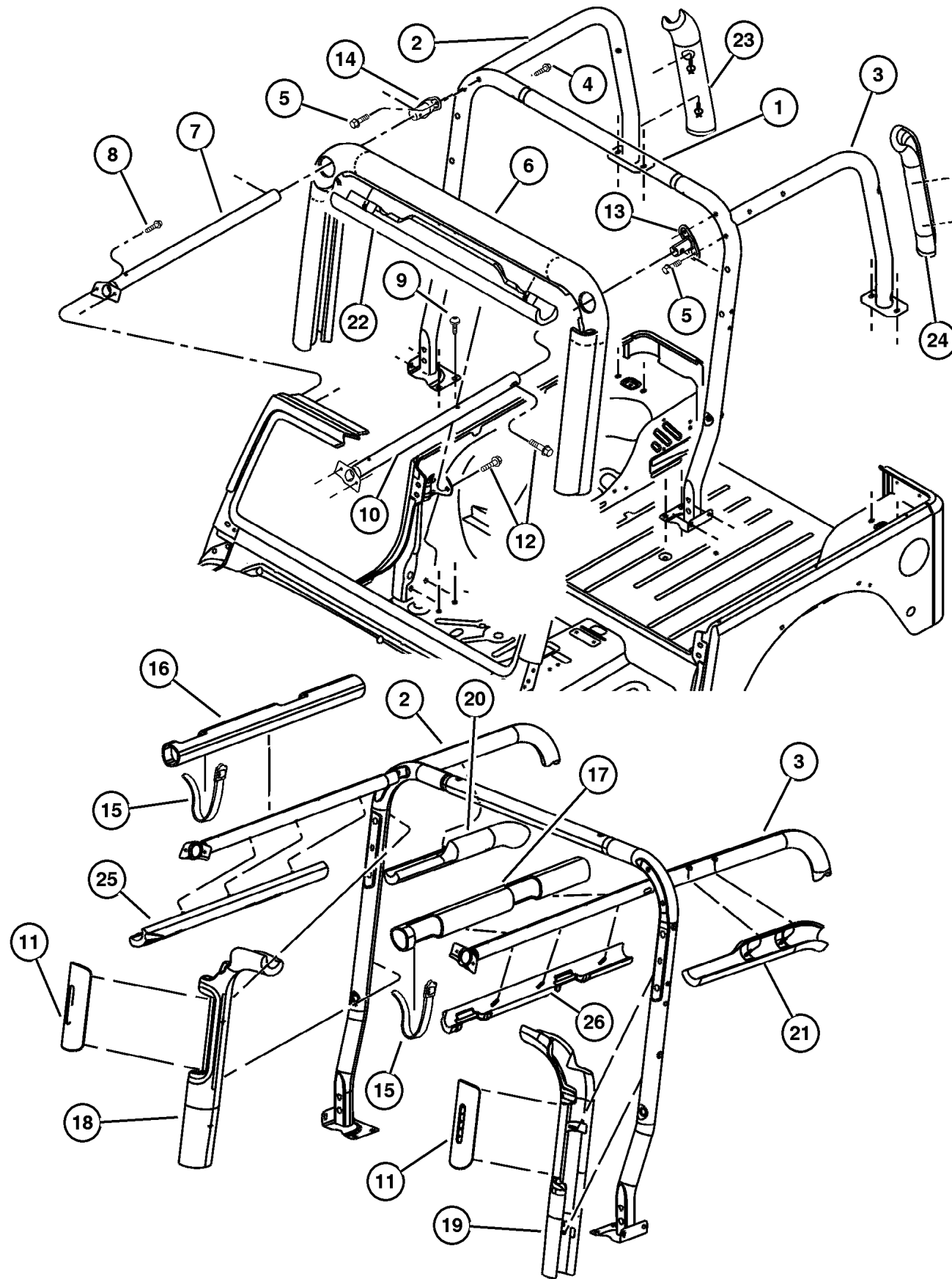
### JEEP WRANGLER (TJ)

SERIES	LINE	BODY	ENGINE	TRANSMISSION
H = Sport	J = Wrangler 4WD	77 = 93.4 WB	ED1, ED0 = 2.4L DOHC	DGG, DGD = 32RH 3 Spd. Auto.
L = SE	U = Wrangler 4WD (RHD)		ERH = 4.0L Power Tech	DDD = 5 Speed HD Manual
M = X				DG0 = Auto. Trans.
P = Sahara				DBB = Manual Trans.
S = Rubicon				DDK = 5 Speed Manual

AR = Use as required - = Non illustrated part # = New this model year

January 6, 2004

**Sport Bar Wrangler  
Figure STJ-1610**



ITEM	PART NUMBER	QTY	LINE	SERIES	BODY	ENGINE	TRANS	TRIM	DESCRIPTION
	#56052 320AA	1	J		78				Upper Right
21	55352 869AB	1			77				PAD, Sport Bar Upper Left
	#56052 321AA	1	J		78				Upper Left
22	55352 870AC	1							PAD, Sport Bar, Without Sound Bar, Center
	55352 872AB	1			77				PAD, Sport Bar Rear Lower Right Side
	#56052 322AA	1	J		78				Rear Lower Right Side
24	55352 873AB	1			77				PAD, Sport Bar Rear Lower Left Side
	#56052 323AA	1	J		78				Rear Lower Left Side
25	55352 874AC	1							PAD, Sport Bar, Front Right
26	55352 875AC	1							PAD, Sport Bar, Front Left
-27	55196 450AC	2							STRAP, Retaining, Rear Seat Retaining

**JEEP WRANGLER (TJ)**

SERIES	LINE	BODY	ENGINE	TRANSMISSION
H = Sport	J = Wrangler 4WD	77 = 93.4 WB	ED1, ED0 = 2.4L DOHC	DGG, DGD = 32RH 3 Spd. Auto.
L = SE	U = Wrangler 4WD (RHD)		ERH = 4.0L Power Tech	DDD = 5 Speed HD Manual
M = X				DG0 = Auto. Trans.
P = Sahara				DBB = Manual Trans.
S = Rubicon				DDK = 5 Speed Manual

AR = Use as required - = Non illustrated part # = New this model year

January 6, 2004



# Group – LBLS

## Labels All Vehicle Locations

### GROUP LBLS - Labels All Vehicle Locations

Illustration Title

Group-Fig. No.

#### Interior

Instrument Panel, Visors and Trim ..... Fig. LBLS-110

#### Under Hood

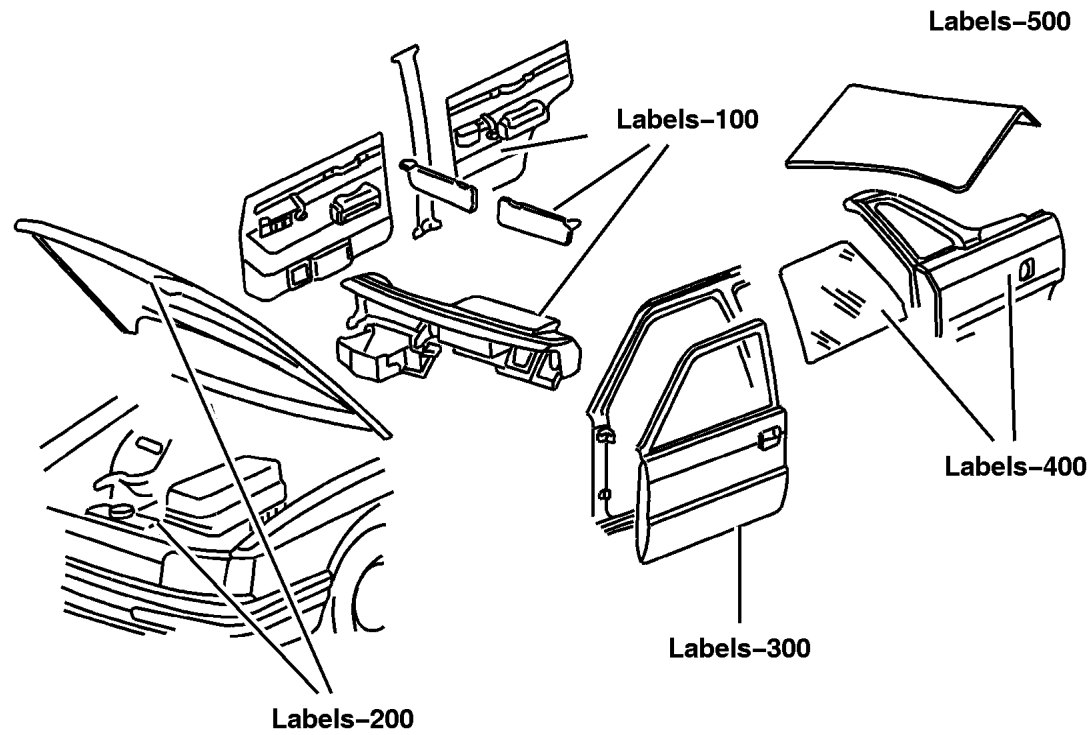
Engine Compartment ..... Fig. LBLS-210

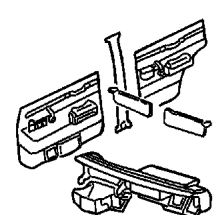

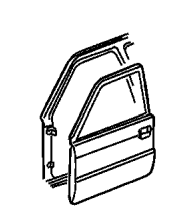
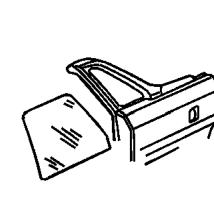
#### Doors

Doors and Pillars ..... Fig. LBLS-310

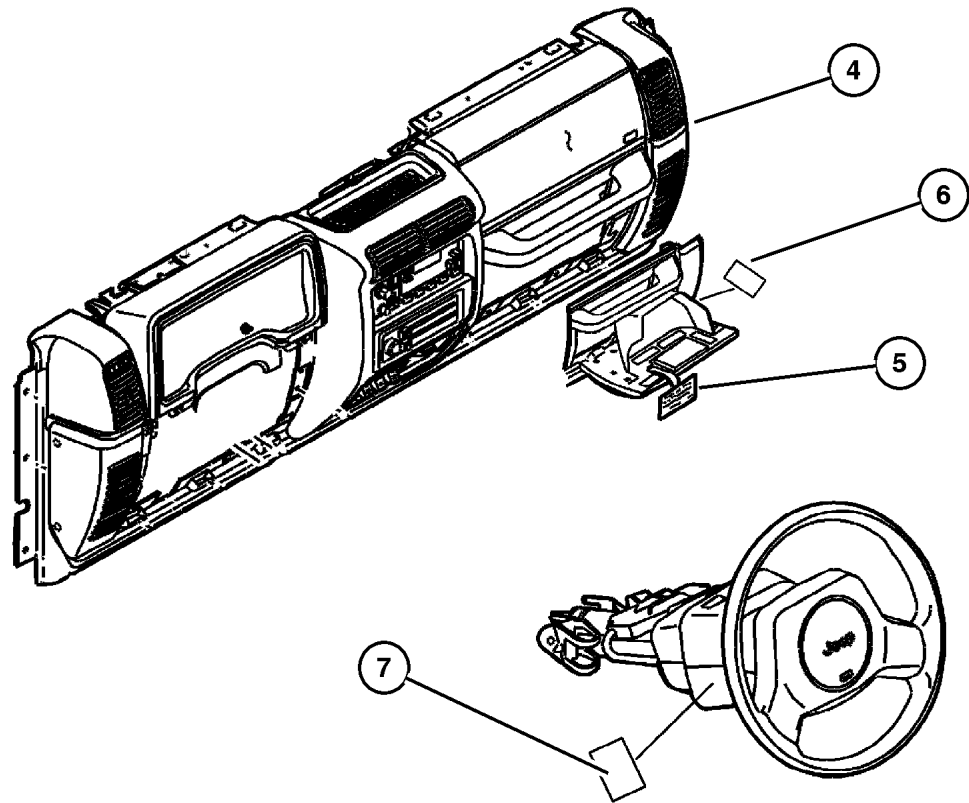
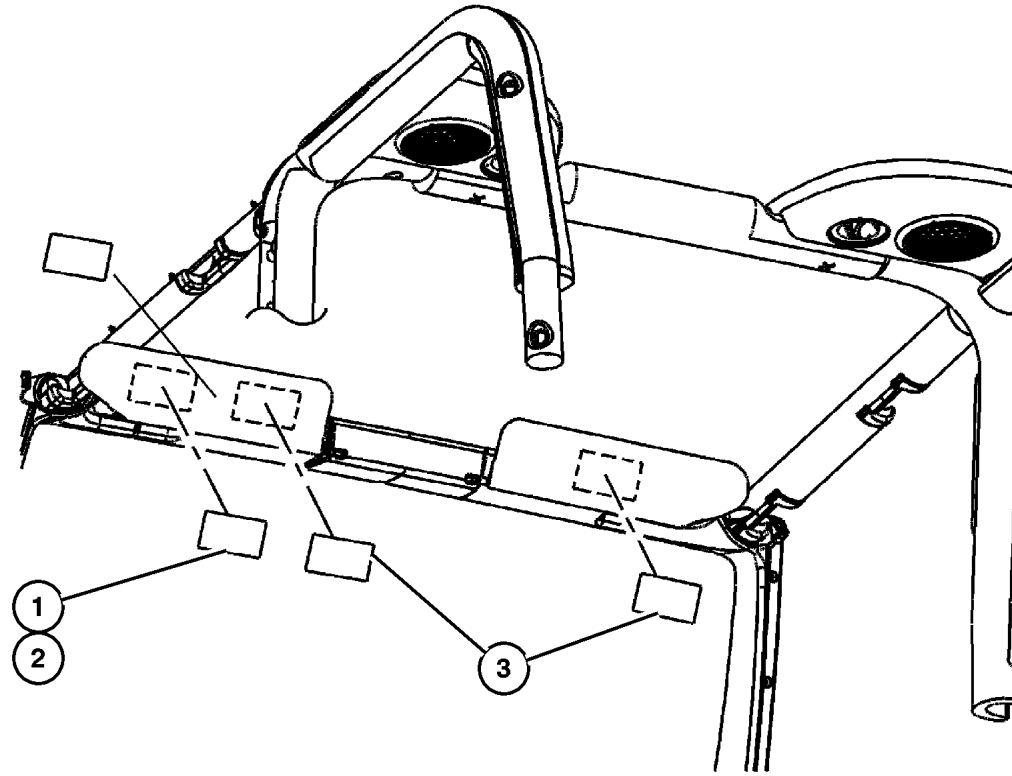
#### Exterior

Spare Tire ..... Fig. LBLS-410



<p><b>LBLS-100</b> Interior</p> 	<p><b>LBLS-200</b> Under Hood</p> 	<p><b>LBLS-300</b> Doors</p> 	<p><b>LBLS-400</b> Exterior</p> 
---	---	---	---

**Instrument Panel, Visors and Trim  
Figure LBL5-110**



ITEM	PART NUMBER	QTY	LINE	SERIES	BODY	ENGINE	TRANS	TRIM	DESCRIPTION
1	55352 825AA	1							LABEL, Visor Warning, Rollover Risk, English-French
2	53015 958AA	1							LABEL, Rollover Risk, English-Arabic
3	5023 548AA	2							LABEL, Air Bag Warning, English-Arabic
4	4680 556AA	1							DECAL, Seat Belt Safety, End Cap
5	4595 748AA	1							LABEL, Air Bag Warning
	4595 749AA	1							English-French
6	56009 391AL	1							LABEL, Fuse Block
7	55314 966AB	1							LABEL, Airbag, European Equipment, Back of Air Bag

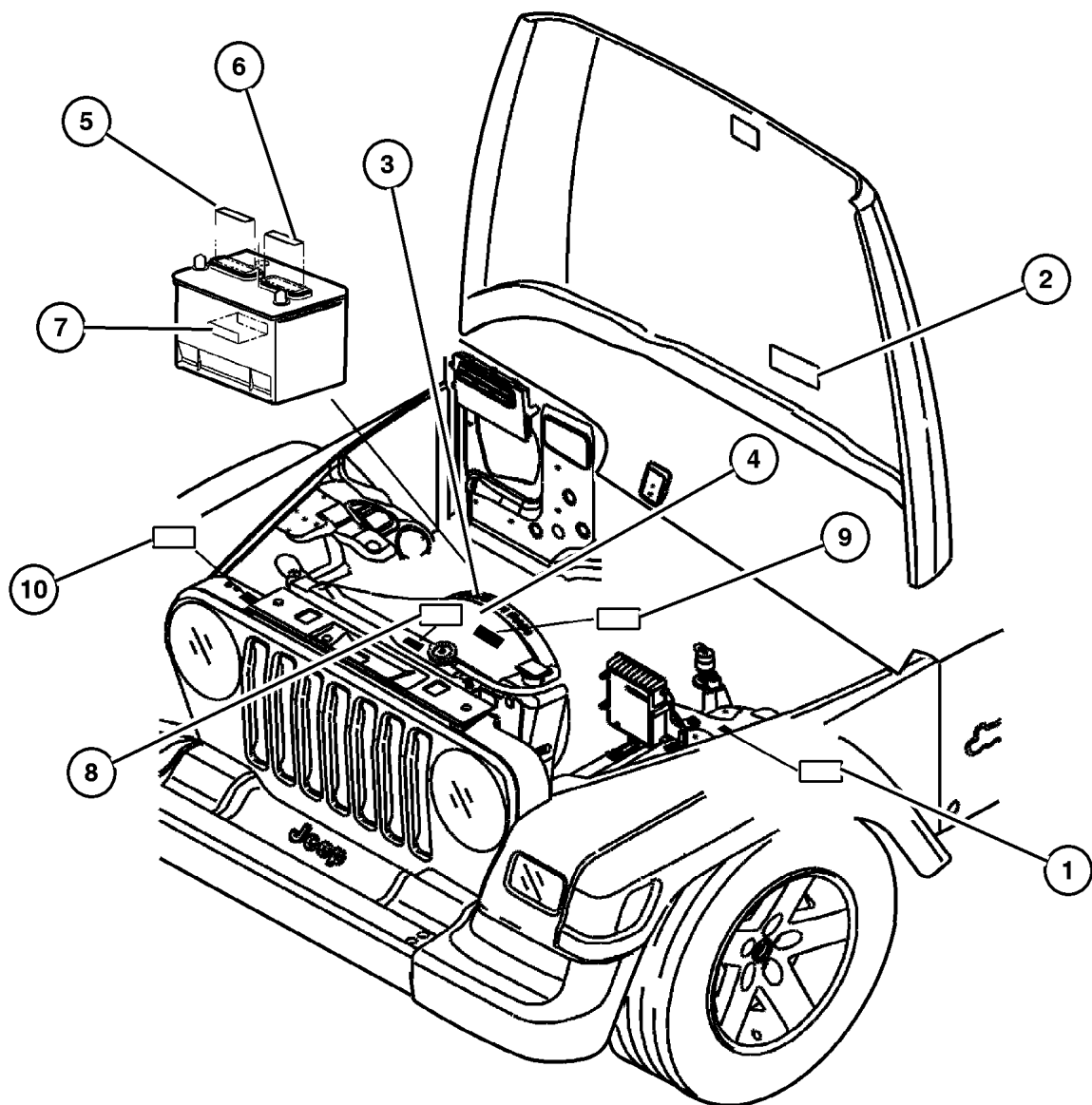
**JEEP WRANGLER (TJ)**

SERIES	LINE	BODY	ENGINE	TRANSMISSION
H = Sport	J = Wrangler 4WD	77 = 93.4 WB	ED1, ED0 = 2.4L DOHC	DGG, DGD = 32RH 3 Spd. Auto.
L = SE	U = Wrangler 4WD (RHD)		ERH = 4.0L Power Tech	DDD = 5 Speed HD Manual
M = X				DG0 = Auto. Trans.
P = Sahara				DBB = Manual Trans.
S = Rubicon				DDK = 5 Speed Manual

AR = Use as required - = Non illustrated part # = New this model year

January 6, 2004

**Engine Compartment  
Figure LBL5-210**



ITEM	PART NUMBER	QTY	LINE	SERIES	BODY	ENGINE	TRANS	TRIM	DESCRIPTION
1									LABEL, Emission
	#52059 646AB	1				ED0			[NA1]
	#52059 713AA	1				ER0			[NA1]
2									LABEL, Emission
	5271 084AA	1				ED0			Mexico
	#5271 285AB	1				ER0			Mexico
	#52059 708AB	1				ED0			[NAS]
	#52059 709AB	1				ER0			[NAS]
3									LABEL, Warning
	55037 665AA	1				ED0			2.4 Engine
	55037 666AA	1							Canadian
	55037 667AA	1							Middle Eastern
4	5503 7349	1							LABEL, Air Conditioning System
5	5604 1046	1							LABEL, Battery, Canadian
6	5604 1047	1							LABEL, Battery Jump Start, Canadian
7	4793 062	1				ED0, ER0			LABEL, Battery, European
8									LABEL, Belt Routing
	53031 758AA	1				ED0			2.4L Engine
	53031 700AB	1				ER0			4.0L Engine
9									LABEL, Refrigerant
	55037 555AC	1							Middle Eastern
	55037 689AA	1							Canadian
	55037 690AA	1							
10	5263 188	1							LABEL, Headlamp Leveling

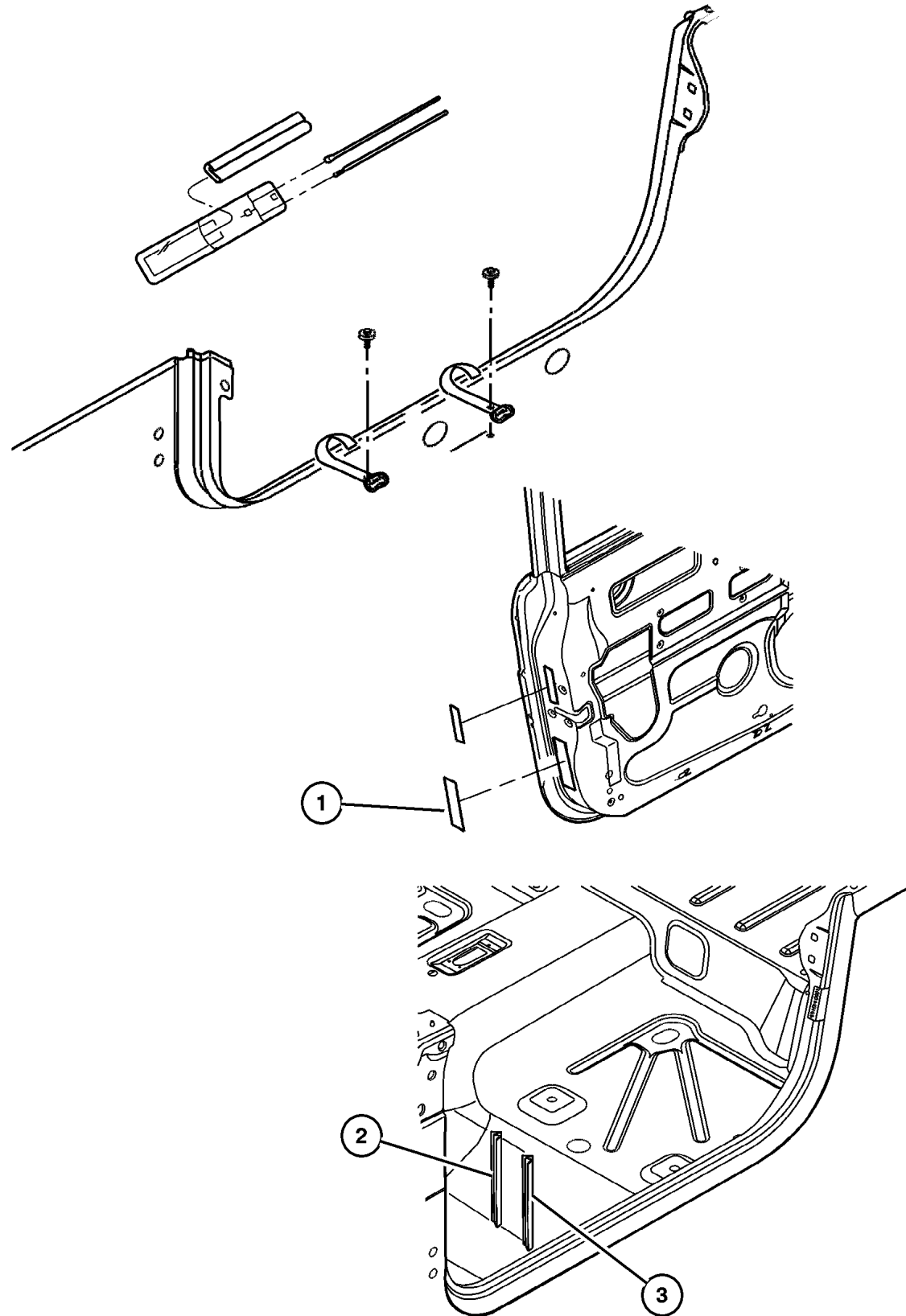
**JEEP WRANGLER (TJ)**

SERIES	LINE	BODY	ENGINE	TRANSMISSION
H = Sport	J = Wrangler 4WD	77 = 93.4 WB	ED1, ED0 = 2.4L DOHC	DGG, DGD = 32RH 3 Spd. Auto.
L = SE	U = Wrangler 4WD (RHD)		ERH = 4.0L Power Tech	DDD = 5 Speed HD Manual
M = X				DG0 = Auto. Trans.
P = Sahara				DBB = Manual Trans.
S = Rubicon				DDK = 5 Speed Manual

AR = Use as required - = Non illustrated part # = New this model year

January 6, 2004

Doors and Pillars  
Figure LBL5-310



ITEM	PART NUMBER	QTY	LINE	SERIES	BODY	ENGINE	TRANS	TRIM	DESCRIPTION
1									LABEL, Export, (NOT SERVICED) (Not Serviced)
2									LABEL, Certification, (NOT SERVICED) (Not Serviced)
3									OVERLAY, Vehicle Certification
	5300 7524	1							
	4040 858	1							Canada

JEEP WRANGLER (TJ)

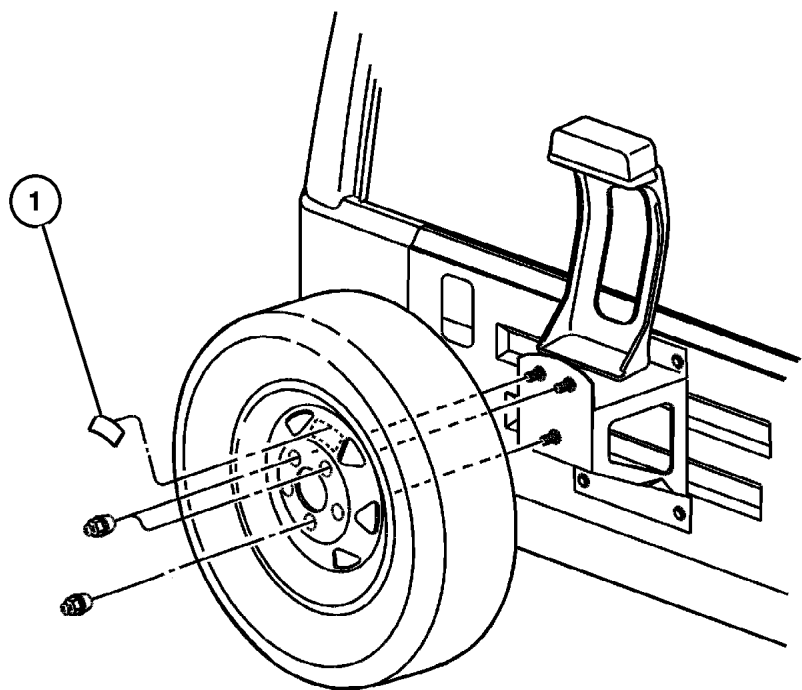
SERIES	LINE	BODY	ENGINE	TRANSMISSION
H = Sport	J = Wrangler 4WD	77 = 93.4 WB	ED1, ED0 = 2.4L DOHC	DGG, DGD = 32RH 3 Spd. Auto.
L = SE	U = Wrangler 4WD (RHD)		ERH = 4.0L Power Tech	DDD = 5 Speed HD Manual
M = X				DG0 = Auto. Trans.
P = Sahara				DBB = Manual Trans.
S = Rubicon				DDK = 5 Speed Manual

AR = Use as required - = Non illustrated part # = New this model year

January 6, 2004

**Spare Tire  
Figure LBL5-410**

ITEM	PART NUMBER	QTY	LINE	SERIES	BODY	ENGINE	TRANS	TRIM	DESCRIPTION
1	52128 585AA	1							LABEL, Temporary Spare Tire Warning



**JEEP WRANGLER (TJ)**

SERIES	LINE	BODY	ENGINE	TRANSMISSION
H = Sport	J = Wrangler 4WD	77 = 93.4 WB	ED1, ED0 = 2.4L DOHC	DGG, DGD = 32RH 3 Spd. Auto.
L = SE	U = Wrangler 4WD (RHD)		ERH = 4.0L Power Tech	DDD = 5 Speed HD Manual
M = X				DG0 = Auto. Trans.
P = Sahara				DBB = Manual Trans.
S = Rubicon				DDK = 5 Speed Manual

AR = Use as required - = Non illustrated part # = New this model year